



US00D708866S

(12) **United States Design Patent**
Kobayashi et al.

(10) **Patent No.:** **US D708,866 S**

(45) **Date of Patent:** **** Jul. 15, 2014**

(54) **COLLAPSIBLE TUBE SQUEEZER**

(56) **References Cited**

(71) Applicant: **Kokuyo S&T Co., Ltd.**, Osaka (JP)

U.S. PATENT DOCUMENTS

(72) Inventors: **Shogo Kobayashi**, Osaka (JP); **Koji Gamoh**, Osaka (JP)

D261,453 S *	10/1981	Pool	D6/541
D344,653 S *	3/1994	Brogliato	D6/541
D368,612 S *	4/1996	Amin	D6/541
D369,051 S *	4/1996	Marcoux	D6/541
D417,111 S *	11/1999	Polan	D6/545

(73) Assignee: **Kokuyo S&T Co., Ltd.**, Osaka (JP)

* cited by examiner

(**) Term: **14 Years**

Primary Examiner — Brian N Vinson

(21) Appl. No.: **29/445,445**

(74) *Attorney, Agent, or Firm* — Dennis R. Haszko

(22) Filed: **Feb. 12, 2013**

(57) **CLAIM**

The ornamental design for a collapsible tube squeezer, as shown and described.

(30) **Foreign Application Priority Data**

DESCRIPTION

Aug. 28, 2012 (JP) 2012-020556

(51) **LOC (10) Cl.** **23-02**

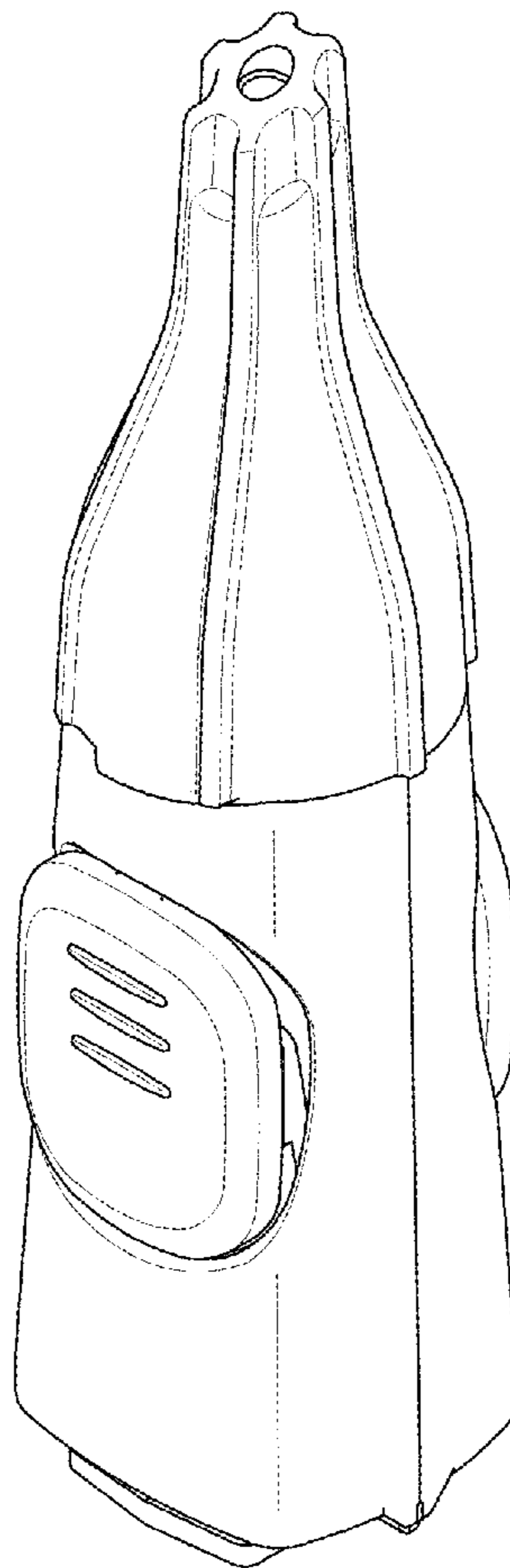
(52) **U.S. Cl.**
USPC **D6/541**

(58) **Field of Classification Search**
USPC D6/541; 211/13.1; 222/101, 102, 103,
222/95, 96, 97, 98, 99; 248/108

FIG. 1 is a perspective view of a collapsible tube squeezer showing our new design;
FIG. 2 is a front view thereof;
FIG. 3 is a rear view thereof;
FIG. 4 is a top view thereof;
FIG. 5 is a bottom view thereof;
FIG. 6 is a right side view thereof; and,
FIG. 7 is a left side view thereof.

See application file for complete search history.

1 Claim, 6 Drawing Sheets



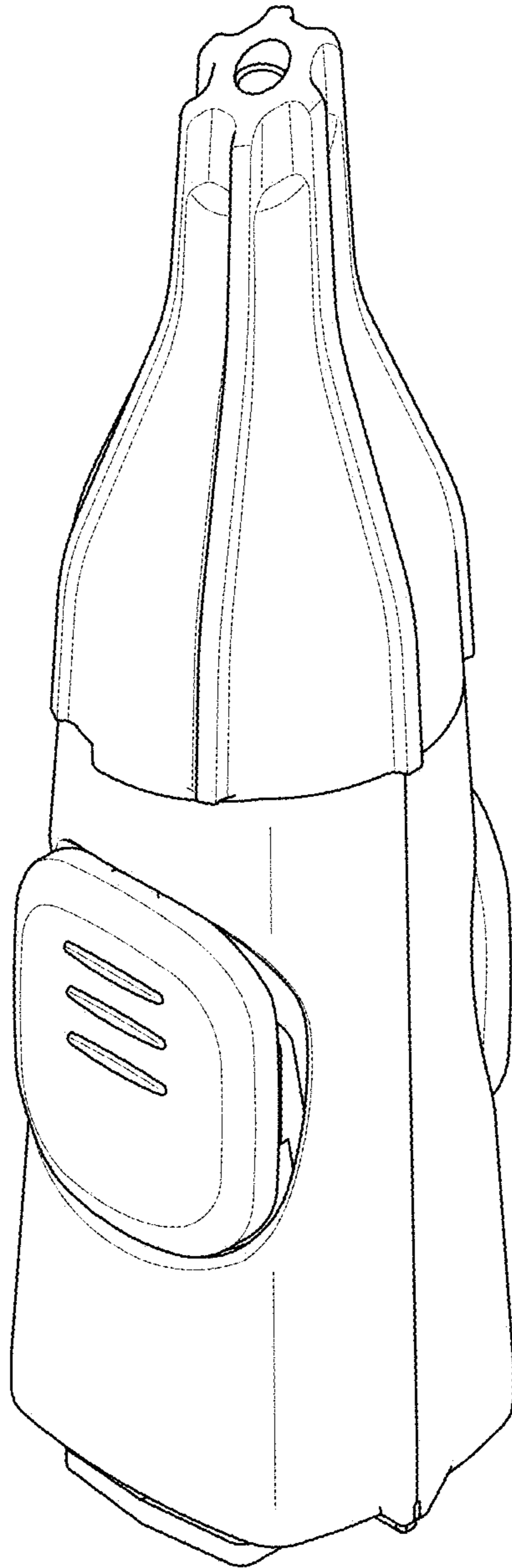


FIG.1

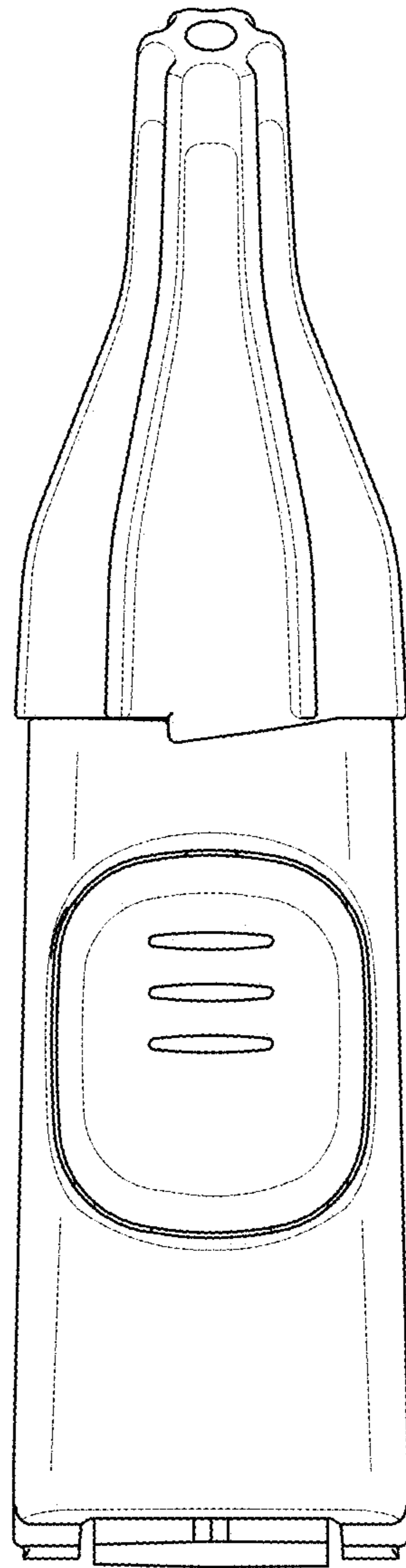


FIG.2

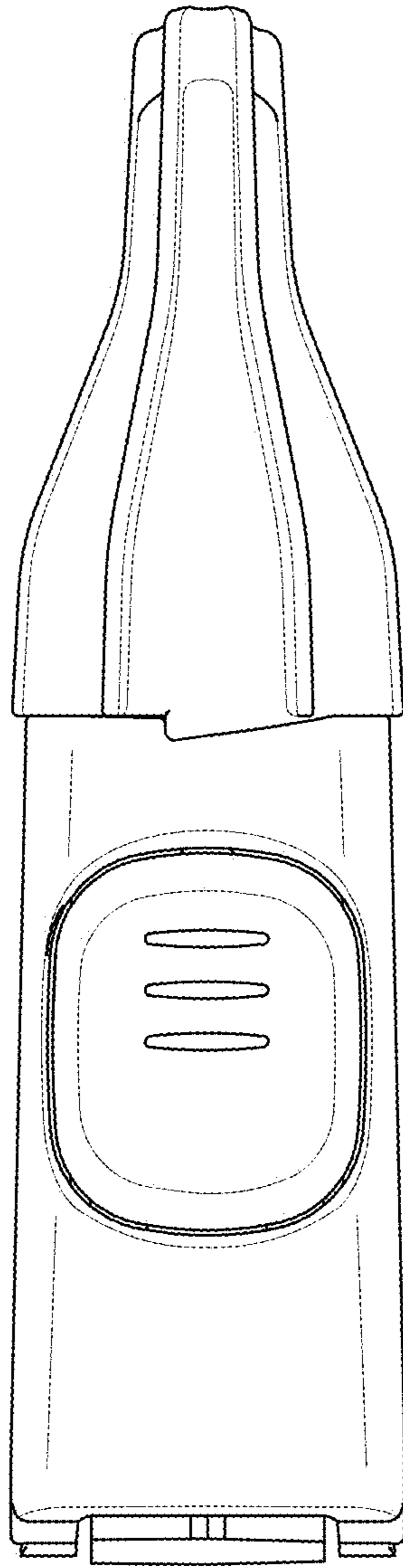


FIG.3

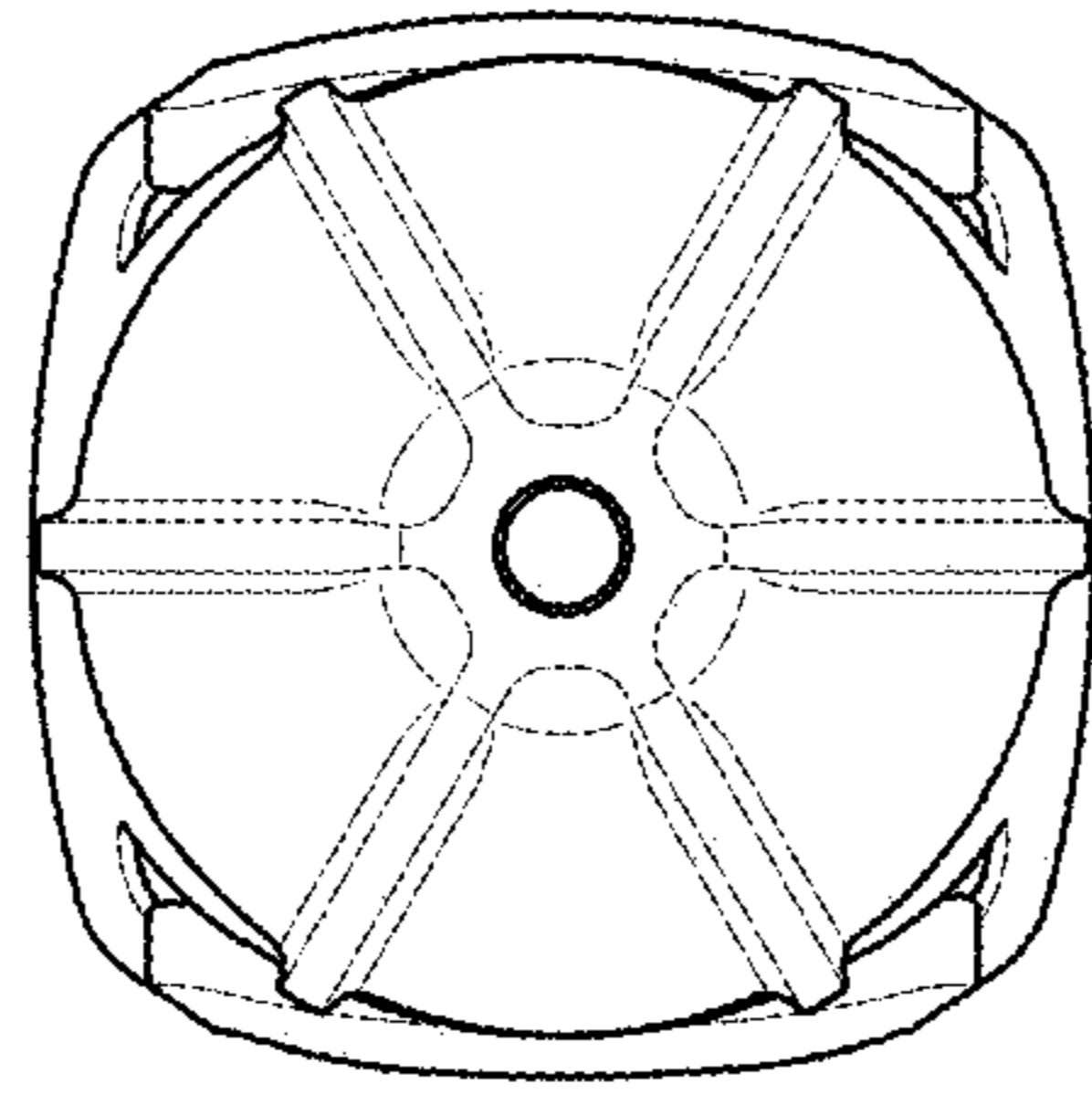


FIG. 4

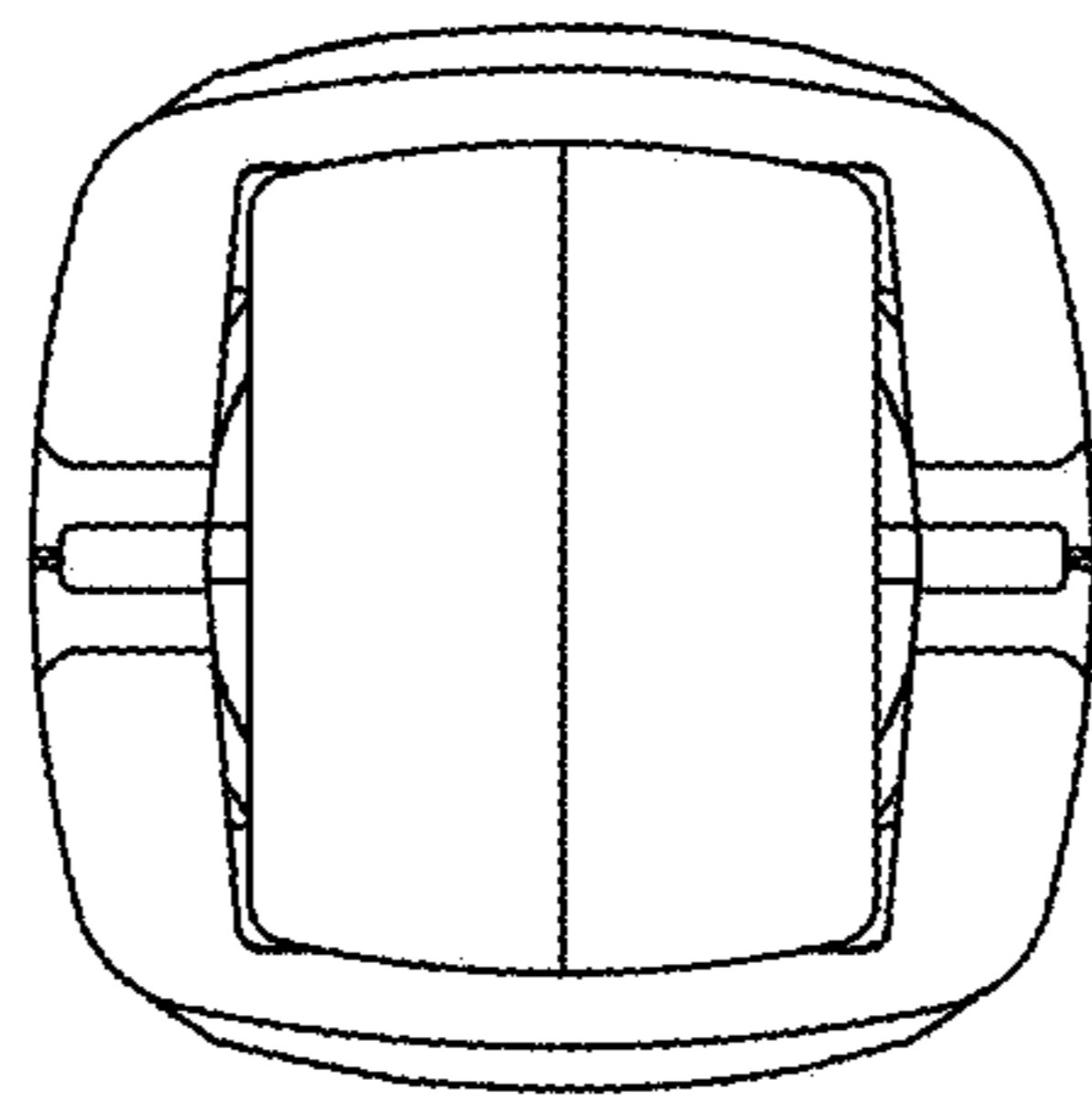


FIG. 5

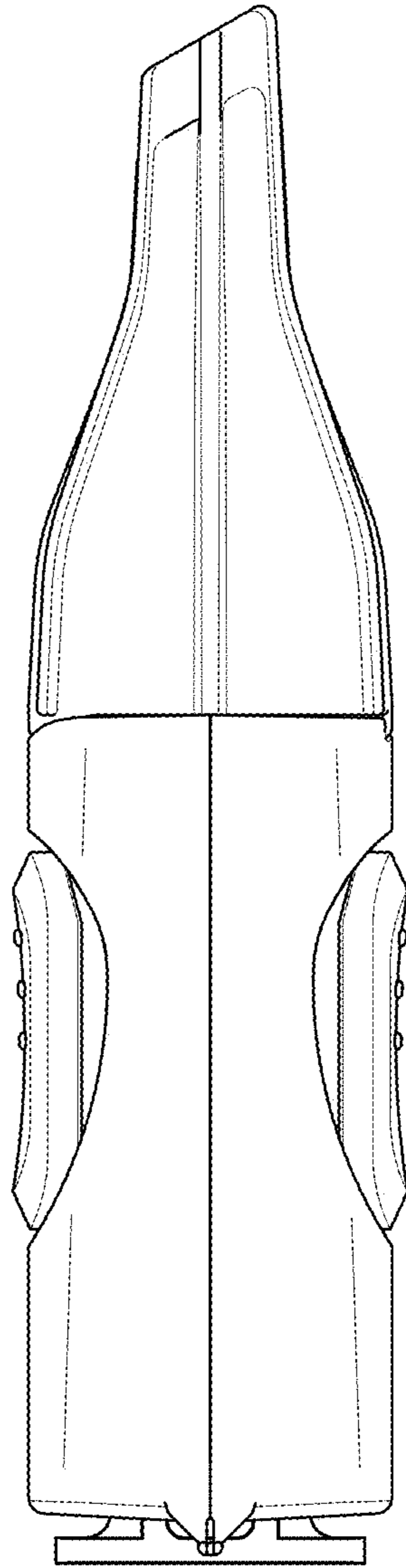


FIG. 6

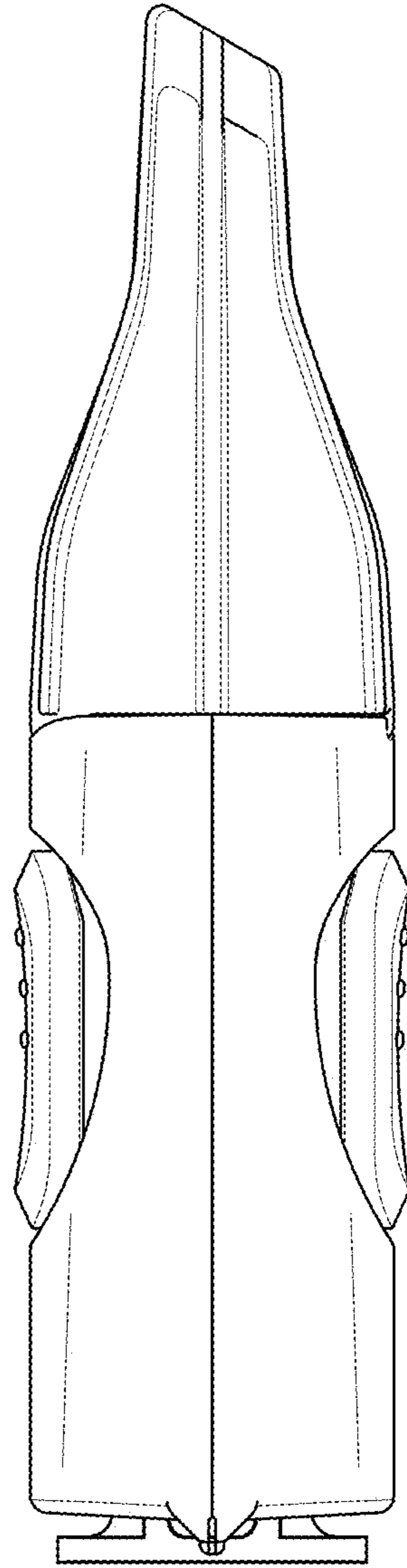


FIG.7