



US00D708864S

(12) **United States Design Patent**  
**Goodman et al.**

(10) **Patent No.:** **US D708,864 S**  
(45) **Date of Patent:** **\*\* Jul. 15, 2014**

(54) **STYLING CADDY**

(71) Applicant: **Spectrum Diversified Designs, Inc.**,  
Streetsboro, OH (US)

(72) Inventors: **Sheldon H. Goodman**, Solon, OH (US);  
**Phaysouk Xayoiphonh**, Akron, OH  
(US); **Jennifer Case**, Middleburgh  
Heights, OH (US)

(73) Assignee: **Spectrum Diversified Designs, Inc.**,  
Streetsboro, OH (US)

(\*\*) Term: **14 Years**

(21) Appl. No.: **29/441,523**

(22) Filed: **Jan. 7, 2013**

(51) **LOC (10) Cl.** ..... **08-05**

(52) **U.S. Cl.**  
USPC ..... **D6/514**

(58) **Field of Classification Search**  
CPC ..... A47G 5/00; A47G 29/87; A47F 5/08  
USPC ..... D8/372; D6/524–525, 514;  
211/117–119, 106  
See application file for complete search history.

(56) **References Cited**

**U.S. PATENT DOCUMENTS**

D309,225 S *	7/1990	Scarbro	.....	D6/525
D315,840 S *	4/1991	Emery	.....	D6/525
D320,134 S *	9/1991	Emery	.....	D6/525
D499,286 S *	12/2004	Harwanko	.....	D6/514
D627,969 S *	11/2010	Klein et al.	.....	D6/514
D646,960 S *	10/2011	Goodman et al.	.....	D8/372

\* cited by examiner

*Primary Examiner* — Holly Baynham

(74) *Attorney, Agent, or Firm* — Benesch, Friedlander,  
Coplan & Aronoff, LLP

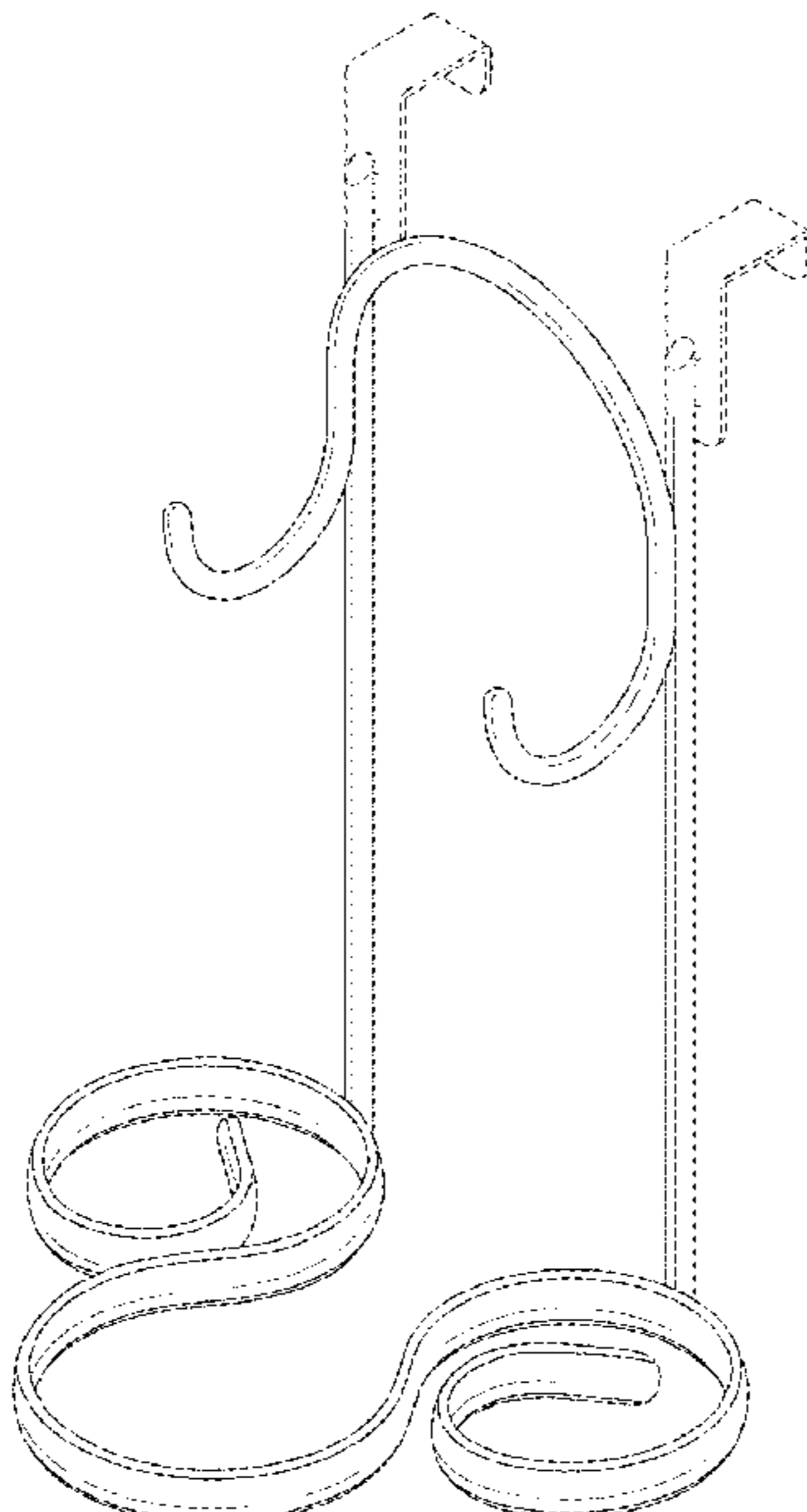
(57) **CLAIM**

What is claimed is the ornamental design for ornamental styling caddy, as shown and described.

**DESCRIPTION**

FIG. 1 is a perspective view of an ornamental styling caddy showing a new design;  
 FIG. 2 is a front view of the ornamental styling caddy of FIG. 1;  
 FIG. 3 is a side view of the ornamental styling caddy of FIG. 1;  
 FIG. 4 is a rear view of the ornamental styling caddy of FIG. 1;  
 FIG. 5 is a top view of the ornamental styling caddy of FIG. 1;  
 FIG. 6 is a cross-sectional view along line 6-6 in FIG. 5;  
 FIG. 7 is a bottom view of the ornamental styling caddy of FIG. 1;  
 FIG. 8 is a perspective view of another embodiment of the ornamental styling caddy showing a new design;  
 FIG. 9 is a front view of the ornamental styling caddy of FIG. 8;  
 FIG. 10 is a side view of the ornamental styling caddy of FIG. 8;  
 FIG. 11 is a rear view of the ornamental styling caddy of FIG. 8;  
 FIG. 12 is a top view of the ornamental styling caddy of FIG. 8; and,  
 FIG. 13 is a rear view of the ornamental styling caddy of FIG. 8.  
 The broken lines showing brackets are for the purposes of illustrating environment and form no part of the claimed design.

**1 Claim, 6 Drawing Sheets**



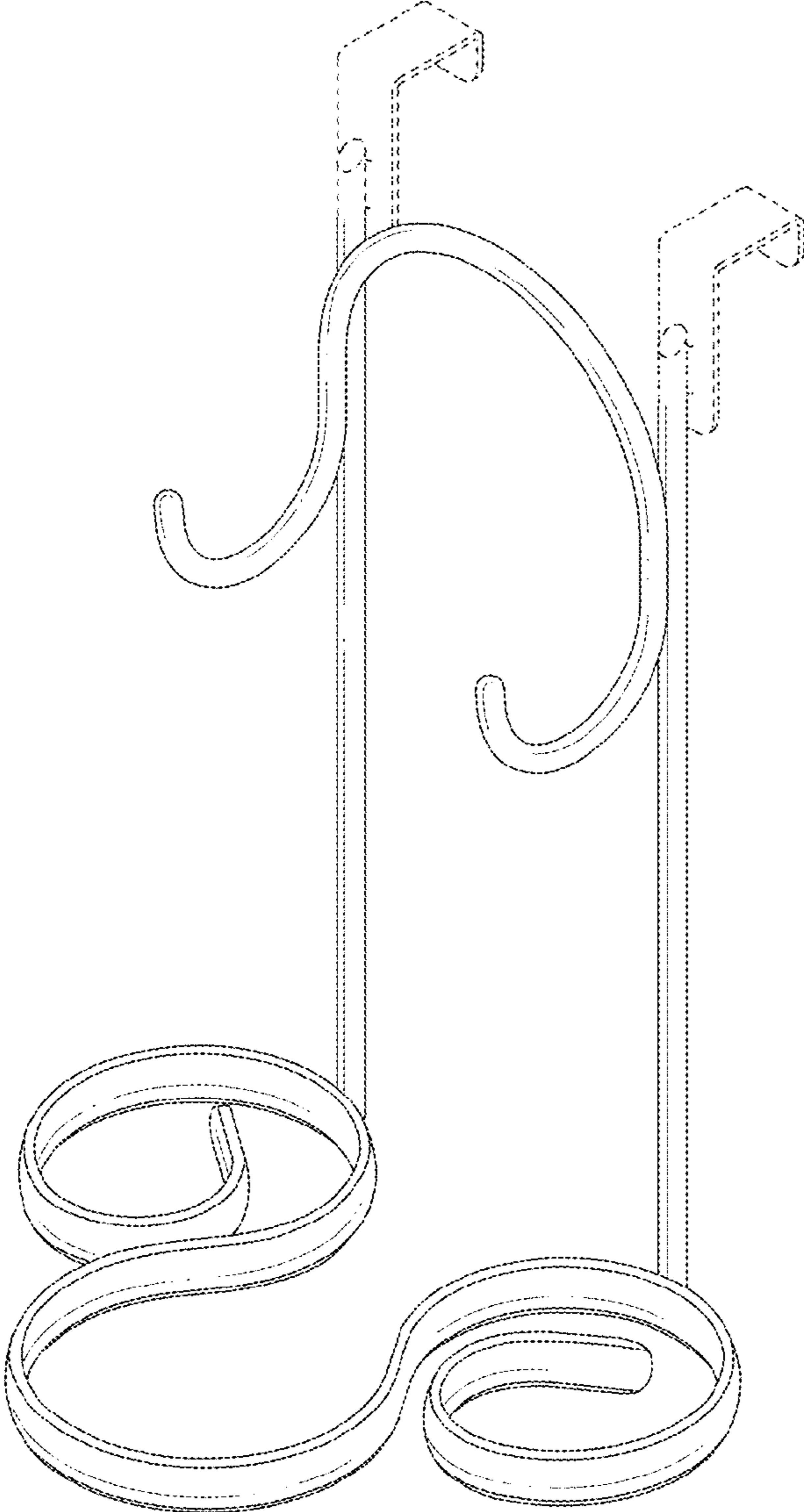


FIG. 1

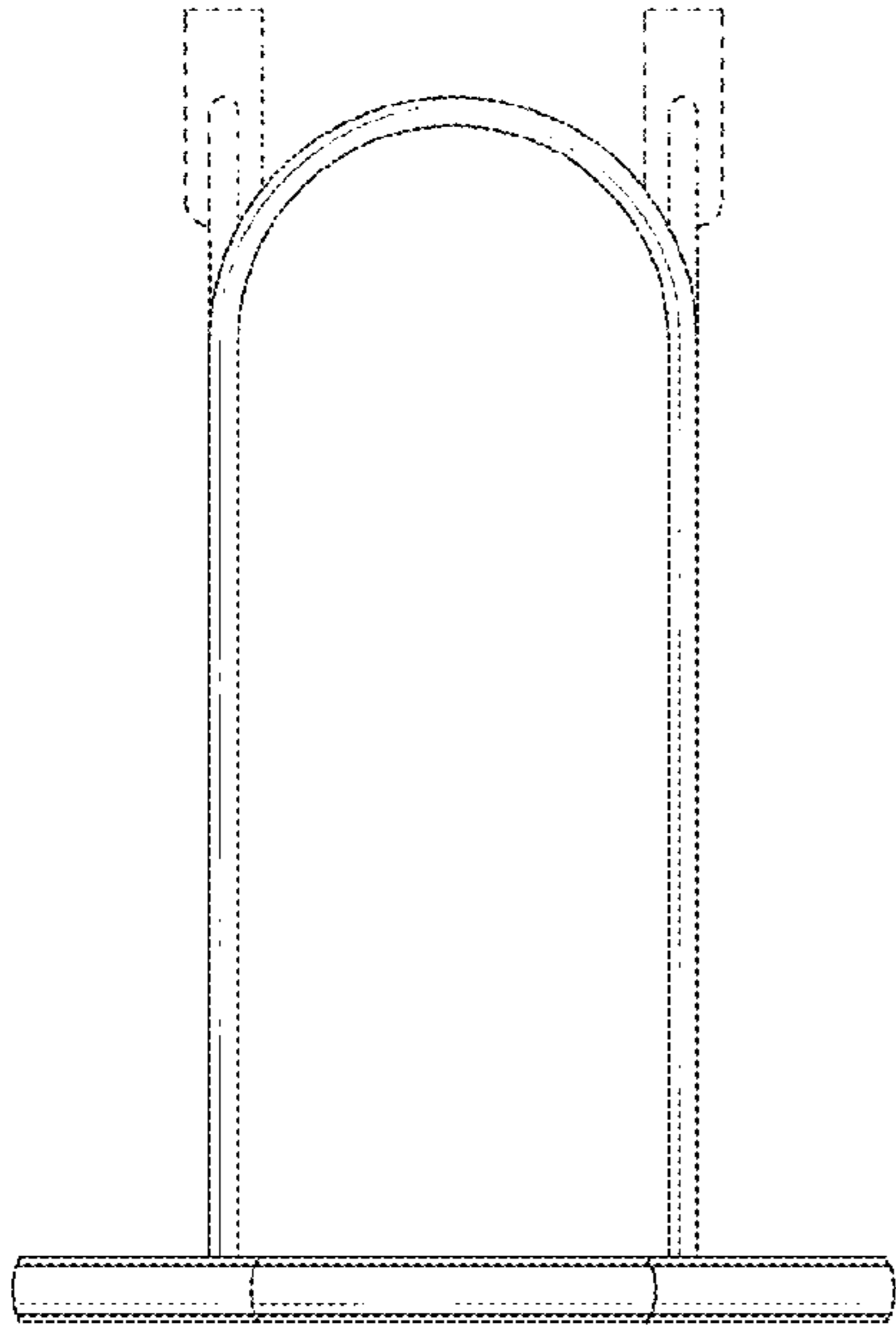


FIG 2

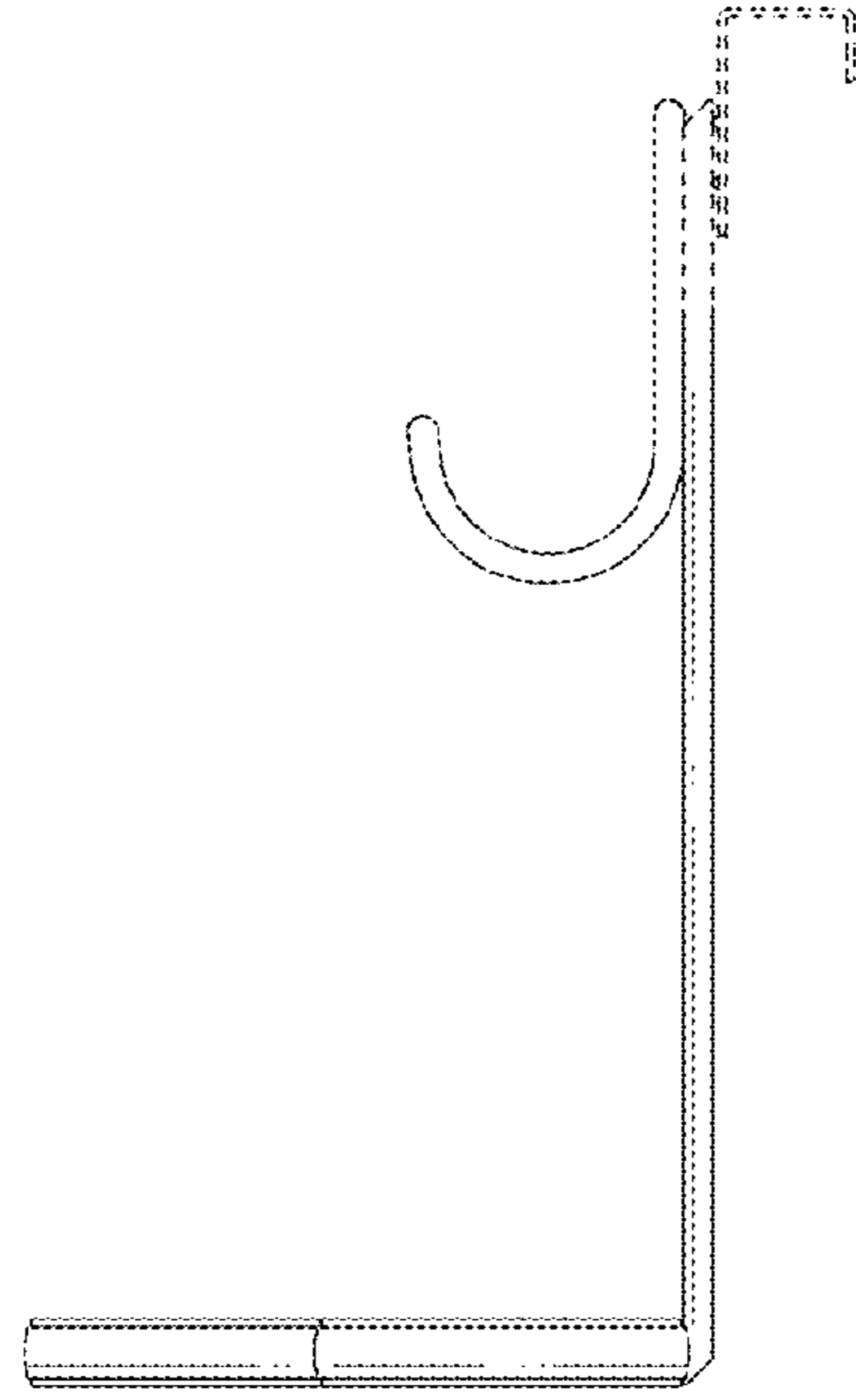


FIG 3

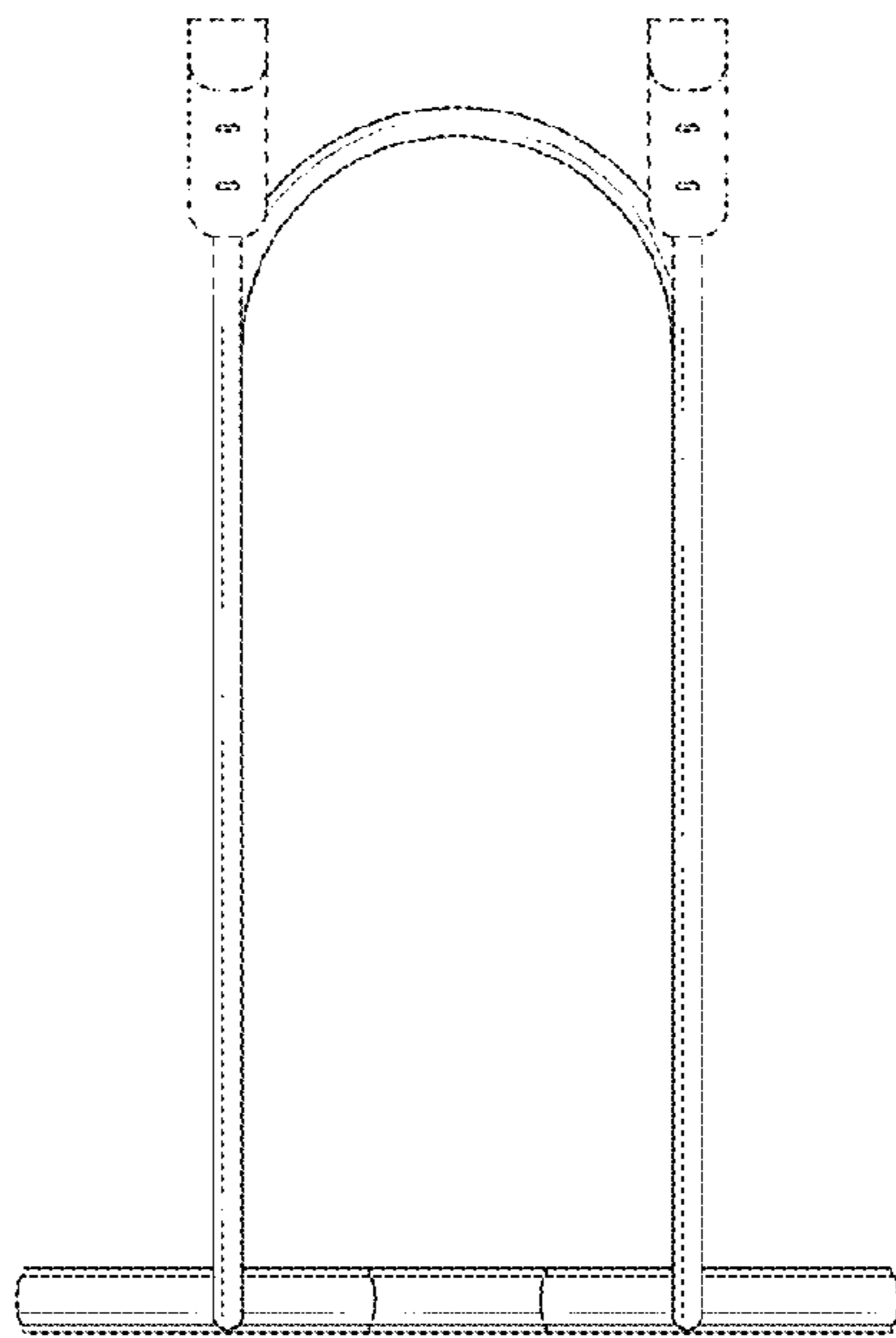


FIG 4

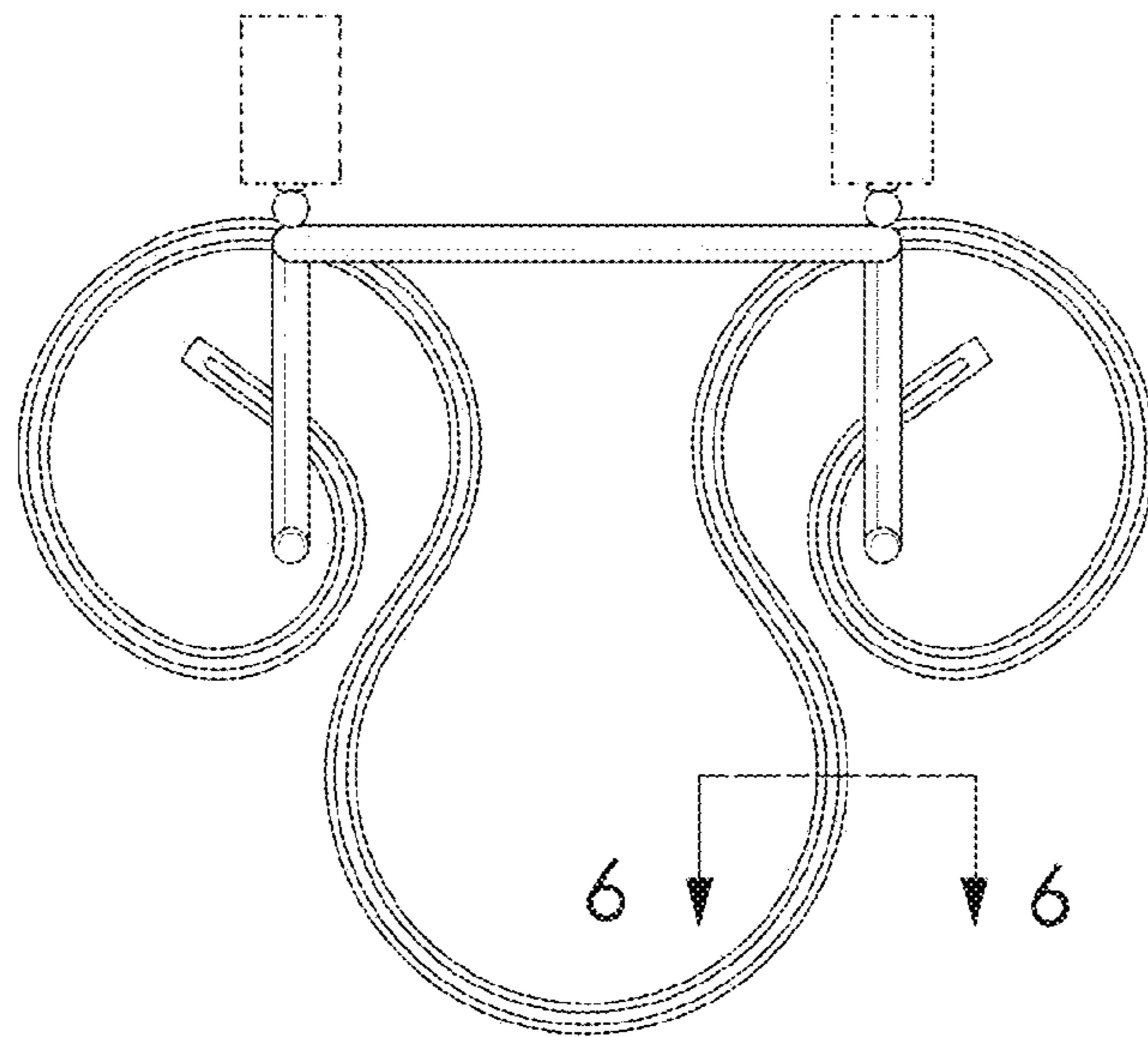


FIG 5



FIG 6

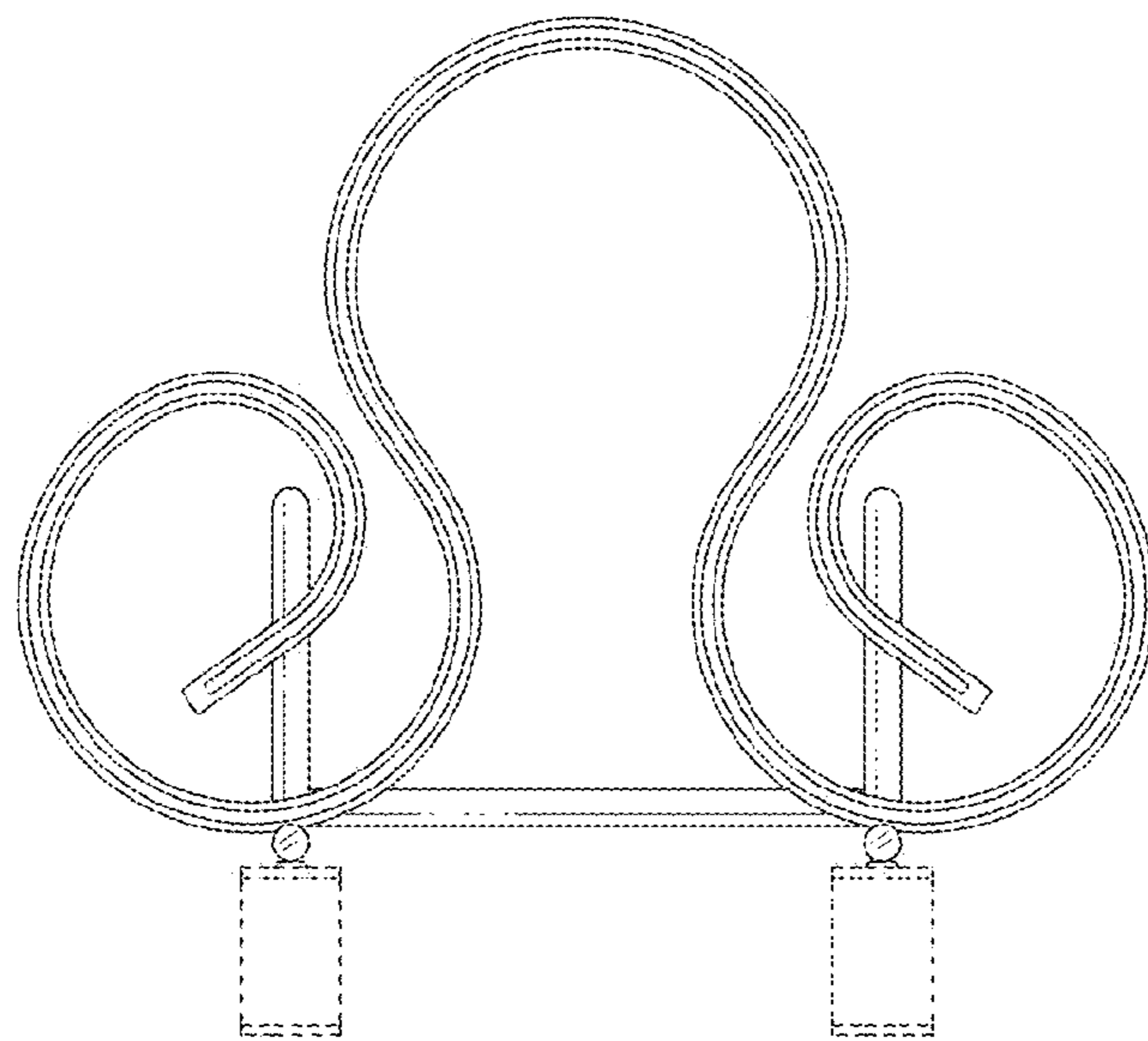


FIG 7

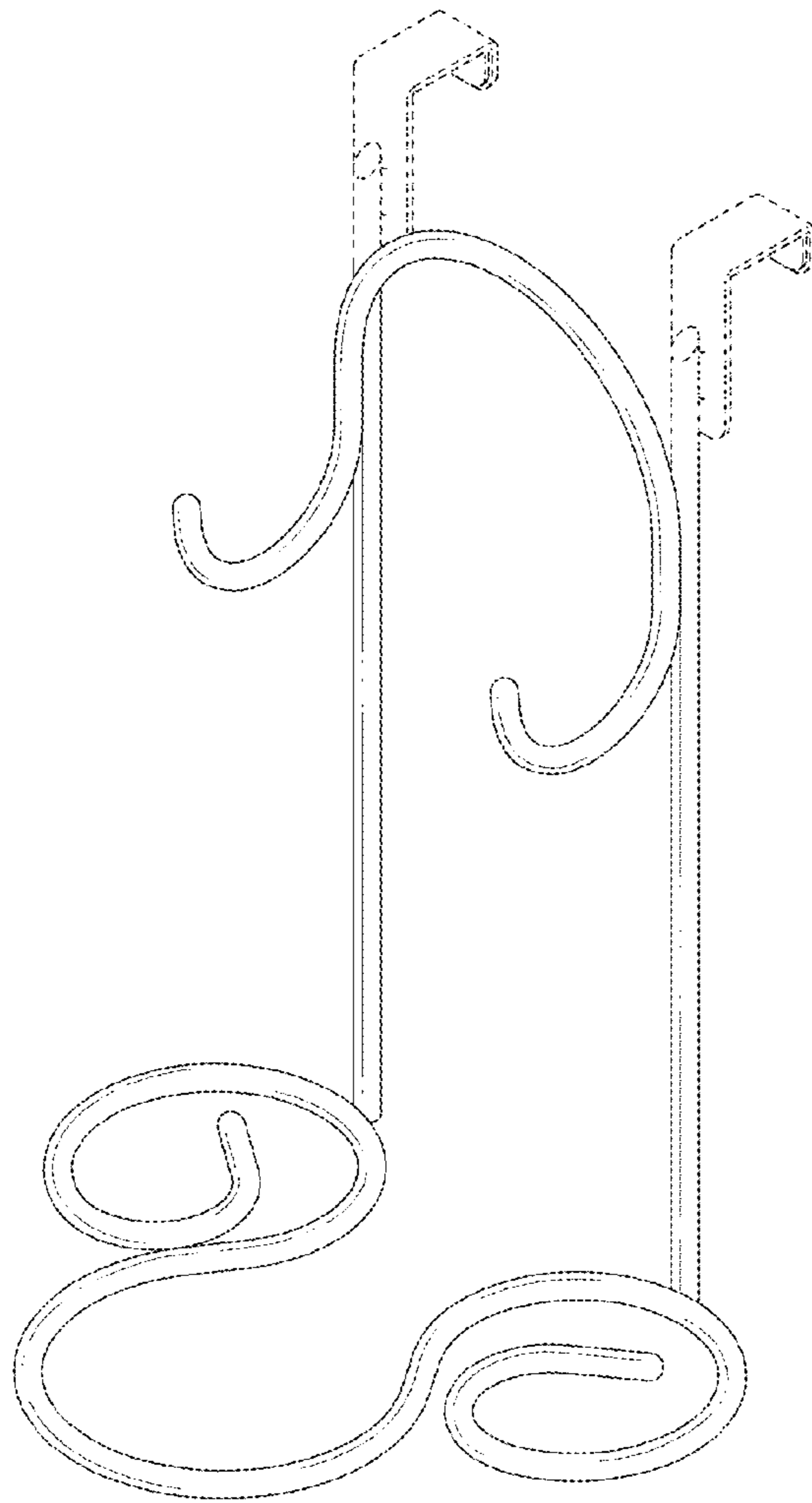


FIG 8

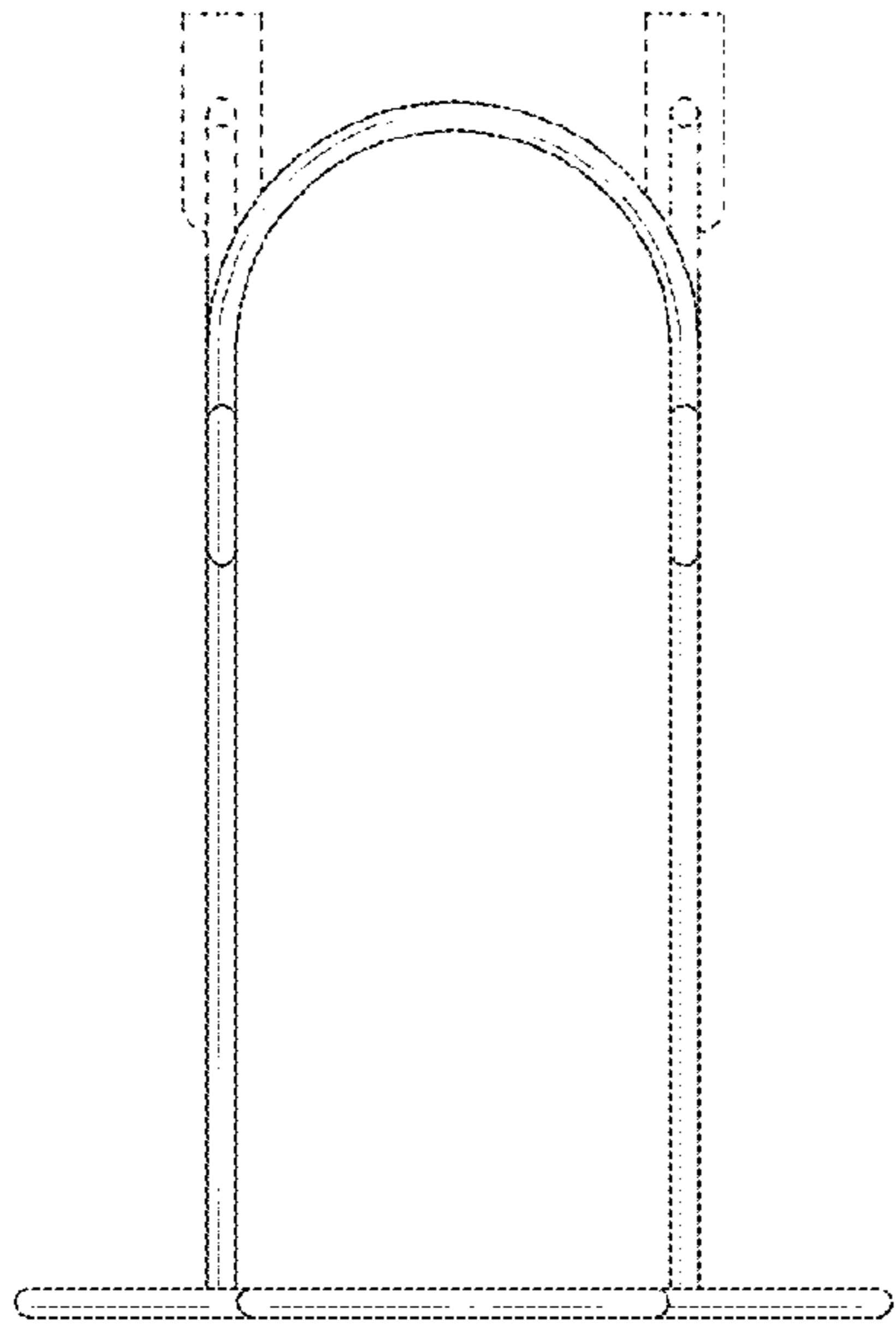


FIG 9

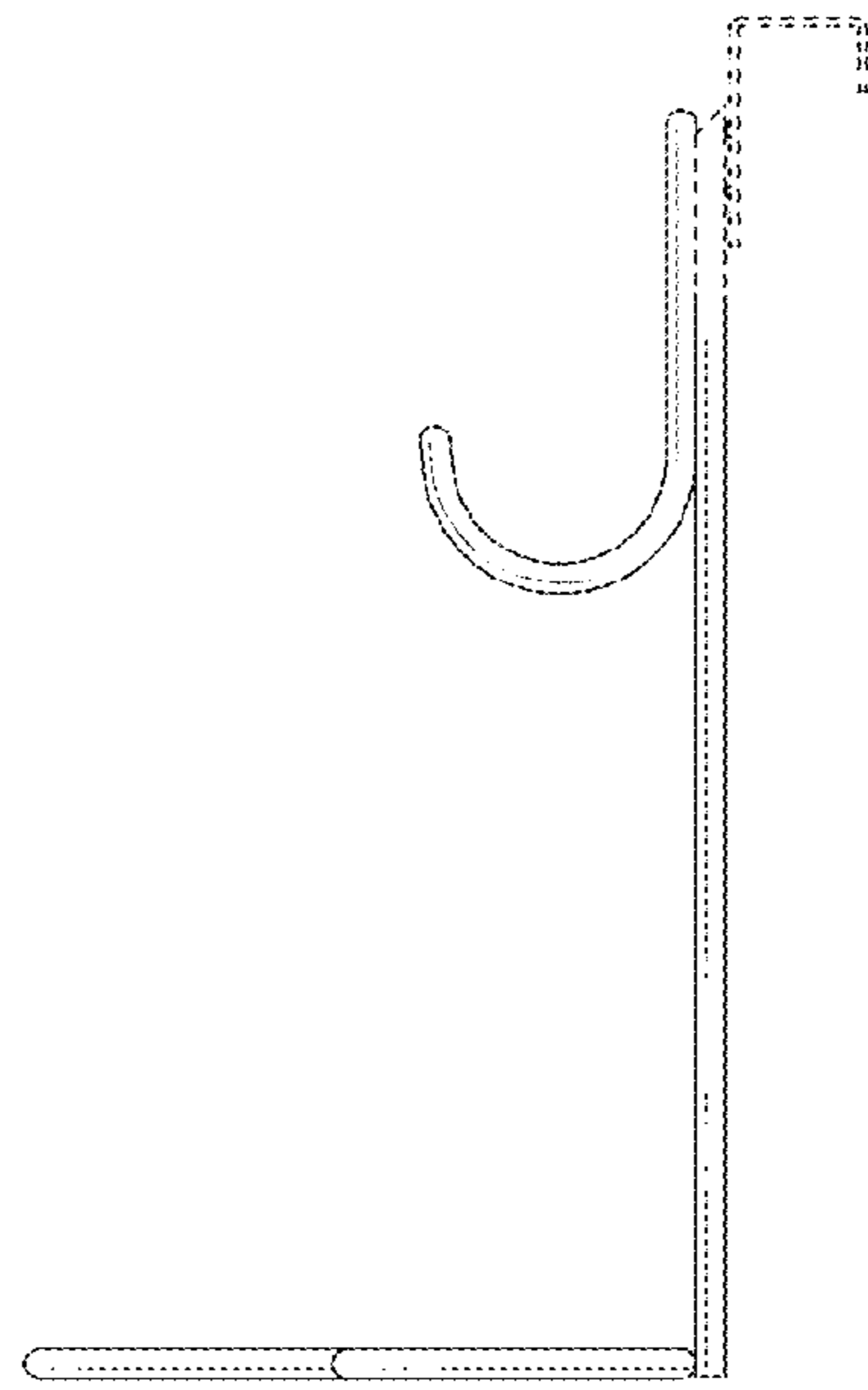


FIG 10

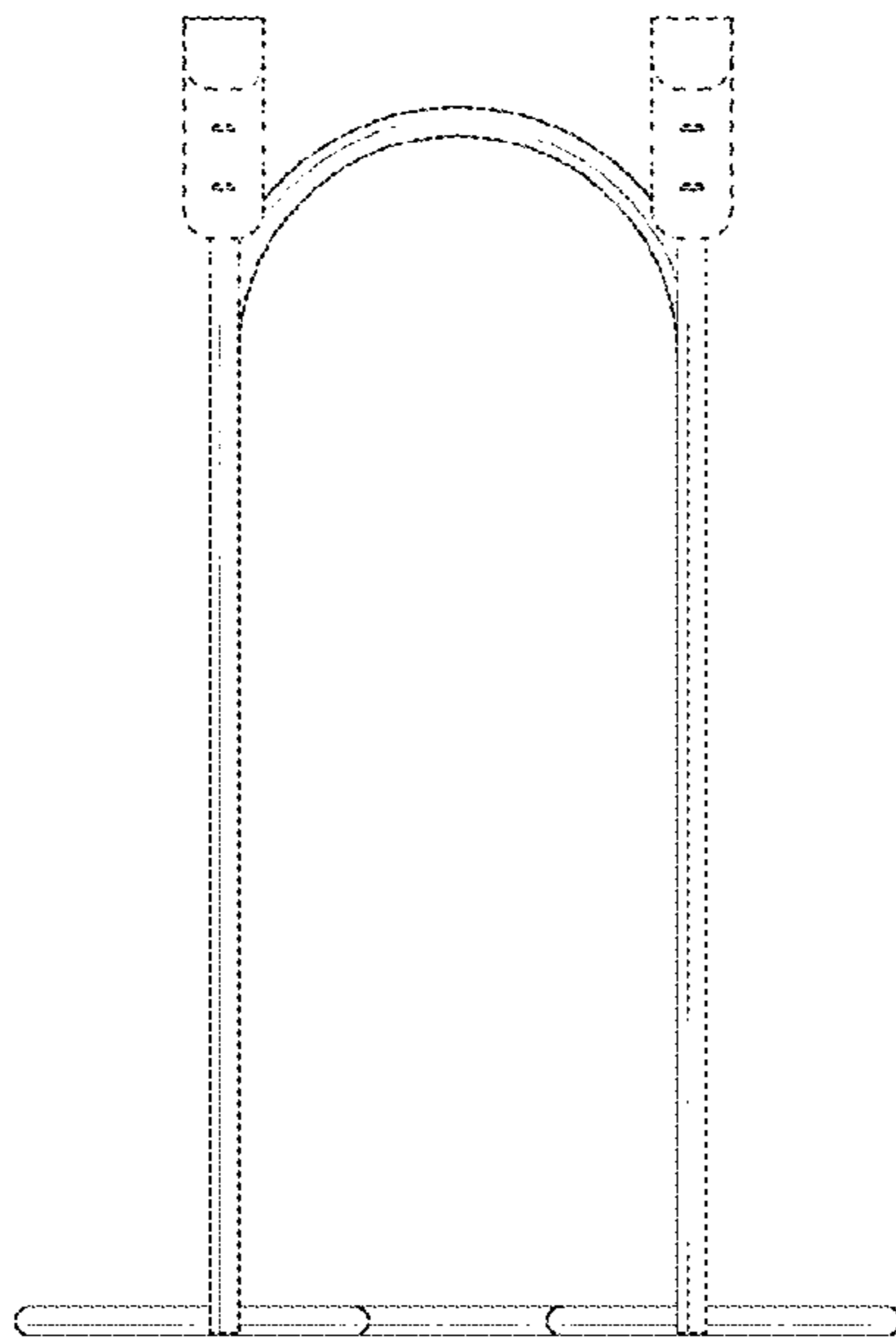


FIG 11



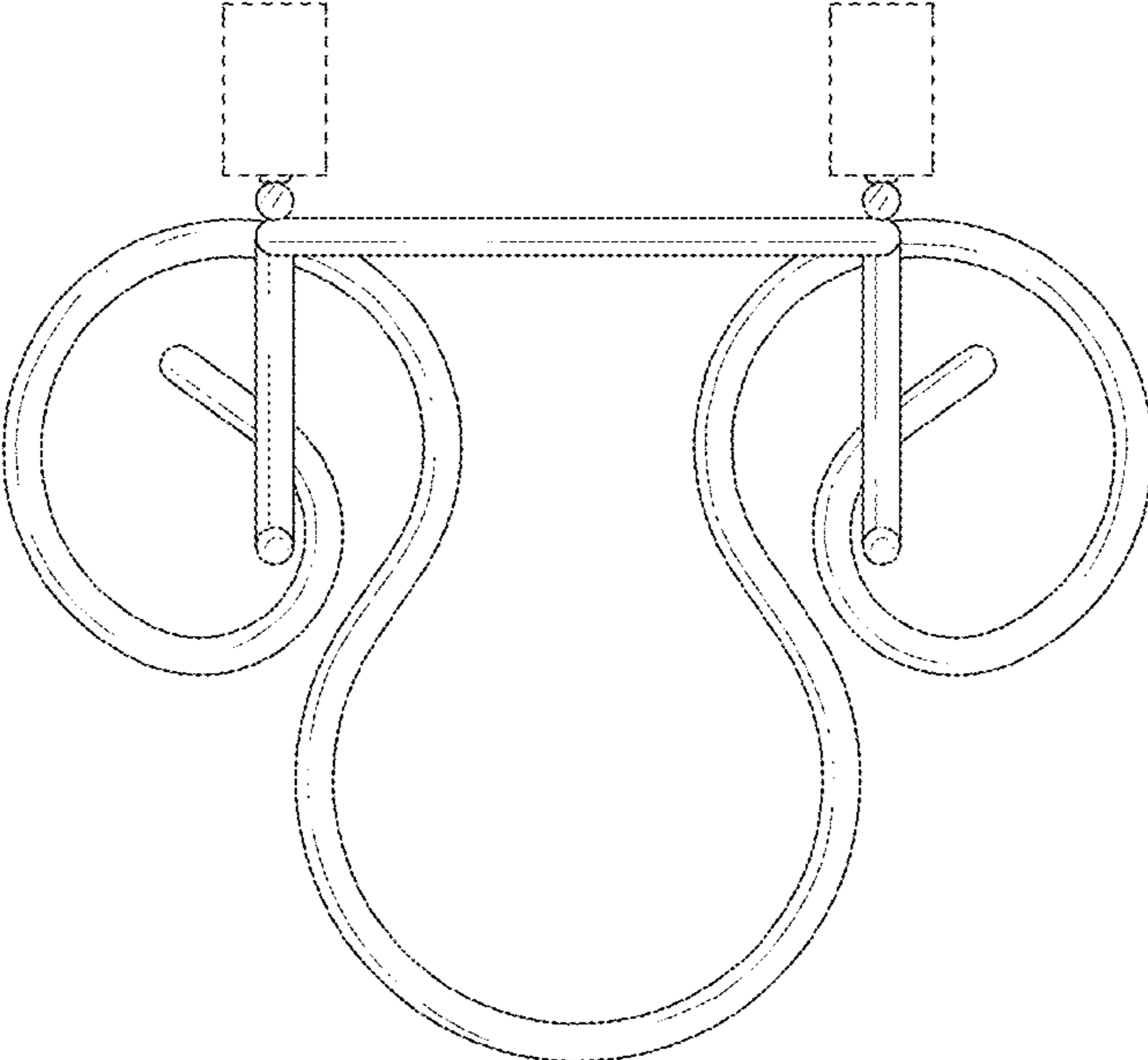


FIG 12

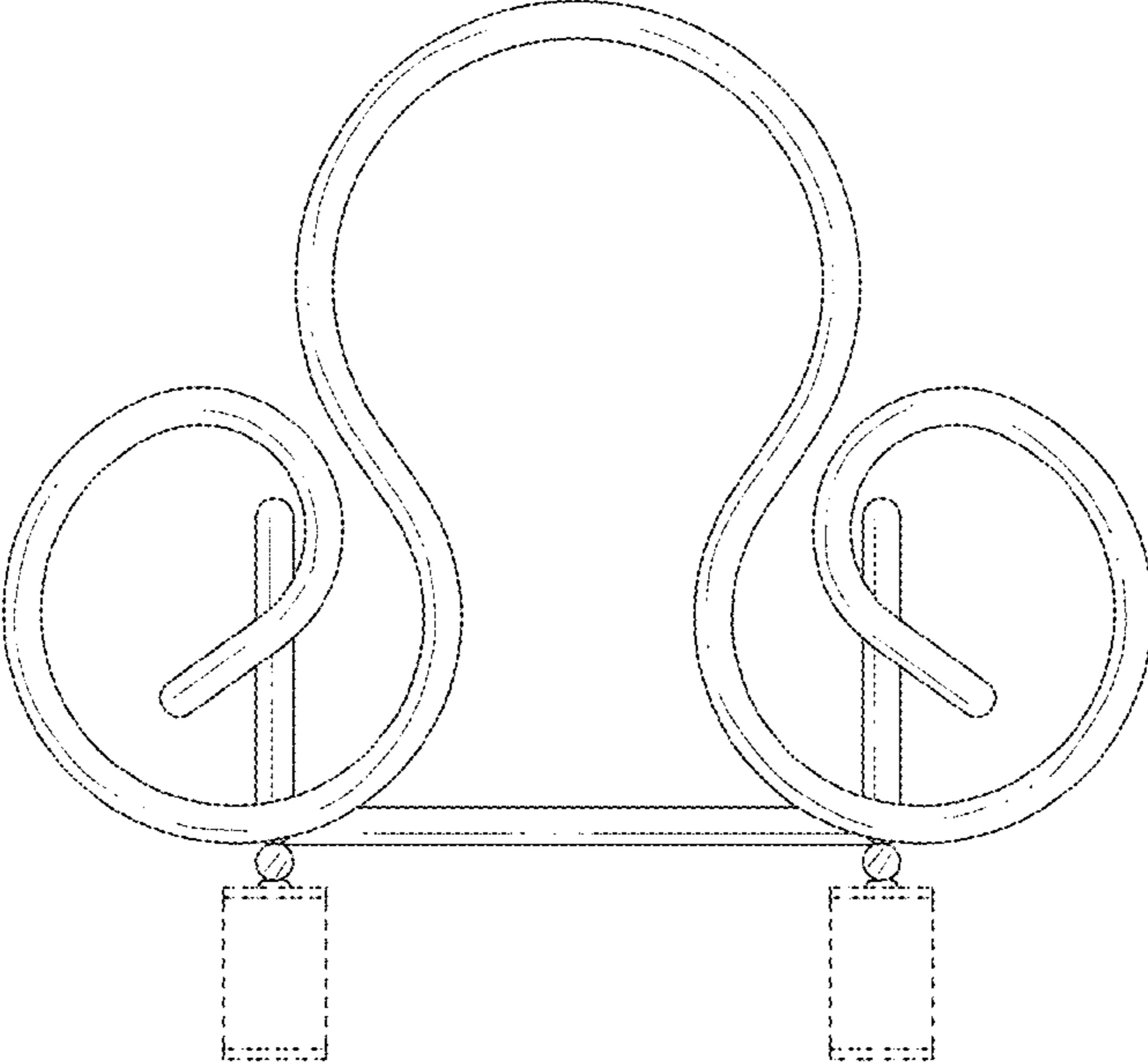


FIG 13