



US00D708857S

(12) **United States Design Patent**  
**Brown**

(10) **Patent No.:** **US D708,857 S**  
(45) **Date of Patent:** **\*\* Jul. 15, 2014**

(54) **HAIR BRUSH**

(71) Applicant: **Goody Products Inc.**, Atlanta, GA (US)

(72) Inventor: **Roberta Celeste Brown**, Atlanta, GA (US)

(73) Assignee: **Goody Products, Inc.**, Atlanta, GA (US)

(\*\*) Term: **14 Years**

(21) Appl. No.: **29/441,032**

(22) Filed: **Dec. 31, 2012**

(51) **LOC (10) Cl.** ..... **04-02**

(52) **U.S. Cl.**  
USPC ..... **D4/136; D4/133**

(58) **Field of Classification Search**  
USPC ..... D4/132-134, 136, 138; 15/143.1, 15/159.1, 160, 186-188; 132/120, 142, 132/313; 119/612, 615; 601/109, 137, 138  
See application file for complete search history.

(56) **References Cited**

**U.S. PATENT DOCUMENTS**

807,127 A 12/1905 Powers  
1,794,754 A 3/1931 Burkhart

(Continued)

**FOREIGN PATENT DOCUMENTS**

EP 0461553 A1 12/1991  
EP 0497080 A1 8/1992

(Continued)

**OTHER PUBLICATIONS**

EM 1314322-0001 Registered Design, (CALOR) Feb. 20, 2012, [online], [retrieved on Jul. 24, 2013] Retrieved from the Community Design Database of the Office for Harmonization in the Internal Market using the Internet: <URL: http://oami.europa.eu>.\*

*Primary Examiner* — Melanie H Tung

*Assistant Examiner* — Lavone D Tabor

(74) *Attorney, Agent, or Firm* — Lempia Summerfield Katz LLC

(57) **CLAIM**

The ornamental design for a “hair brush,” as shown and described.

**DESCRIPTION**

FIG. 1 is a front, right side, and bottom perspective view of our new design for a hair brush.

FIG. 2 is a front view of the hair brush shown in FIG. 1.

FIG. 3 is a rear view of the hair brush shown in FIG. 1.

FIG. 4 is a right side view of the hair brush shown in FIG. 1, the left side being a mirror image thereof.

FIG. 5 is a top view of the hair brush shown in FIG. 1.

FIG. 6 is a bottom view of the hairbrush shown in FIG. 1.

FIG. 7 is a front, right side, and bottom perspective view of a second embodiment of our new design for a hair brush.

FIG. 8 is a front view of the hair brush shown in FIG. 7.

FIG. 9 is a rear view of the hair brush shown in FIG. 7.

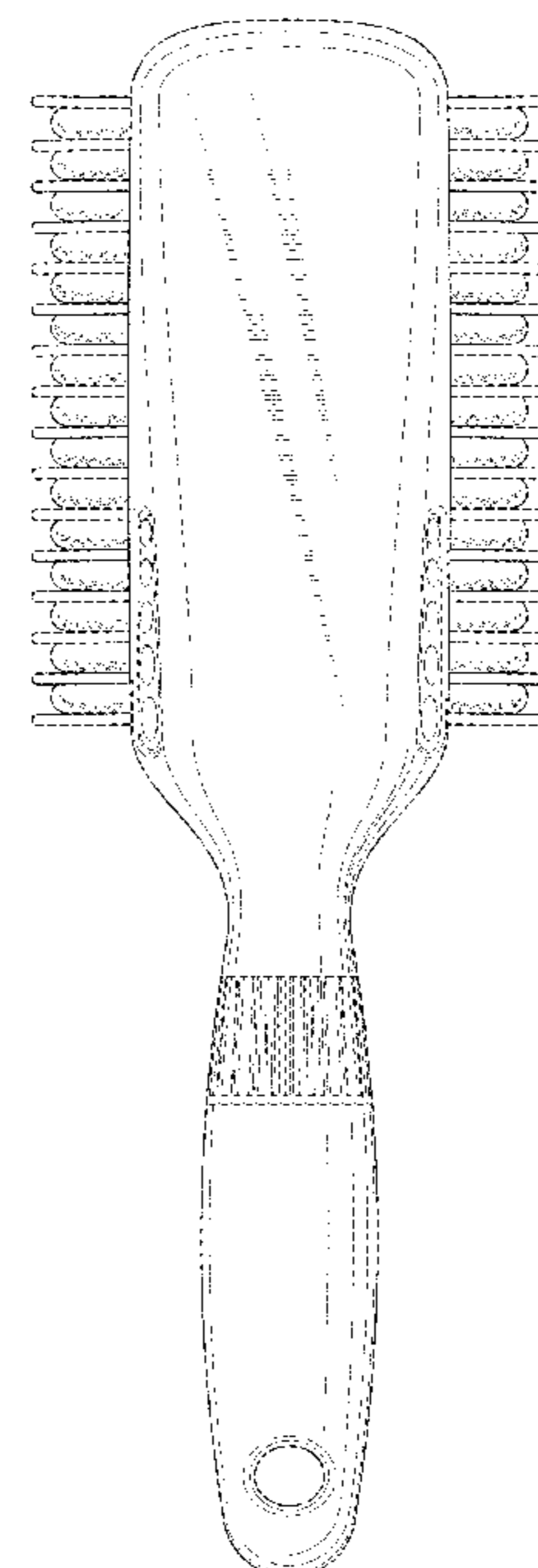
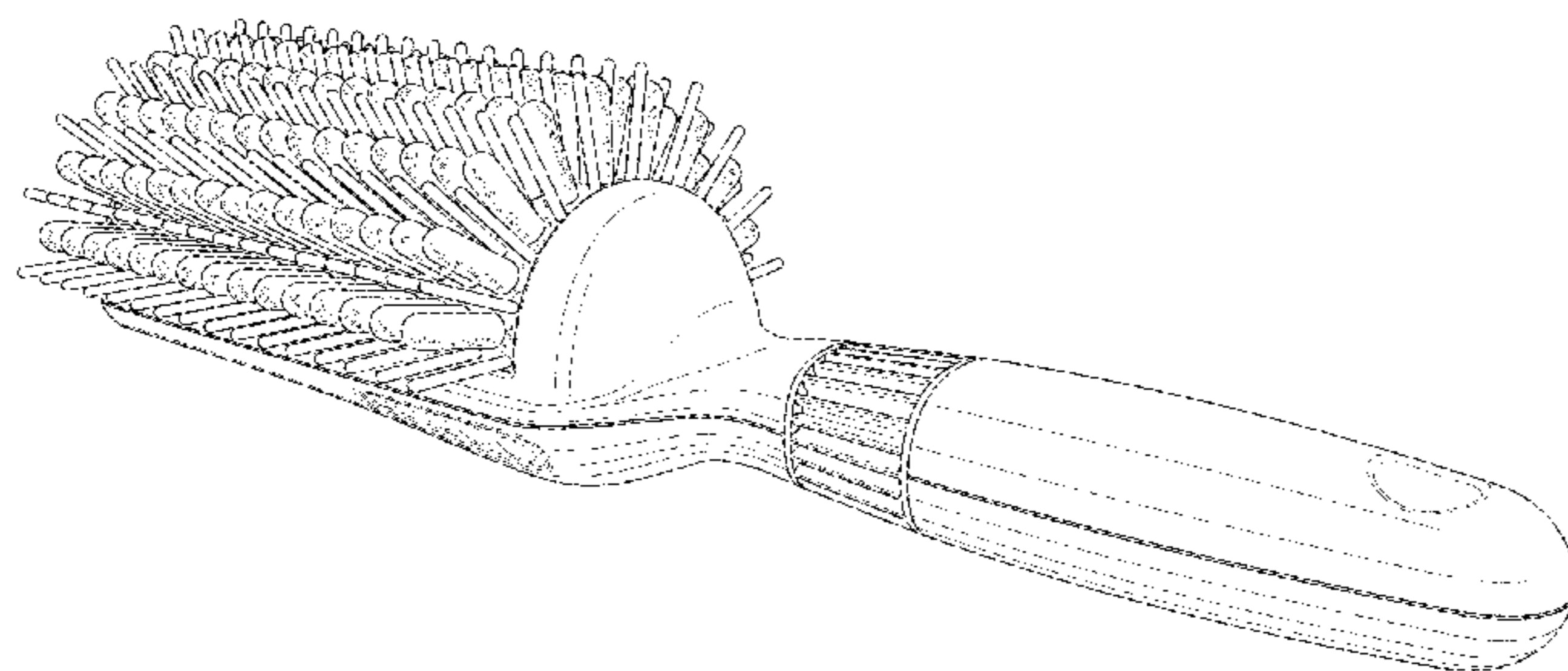
FIG. 10 is a right side view of the hair brush shown in FIG. 7, the left side being a mirror image thereof.

FIG. 11 is a top view of the hair brush shown in FIG. 7; and,

FIG. 12 is a bottom view of the hair brush shown in FIG. 7.

The portions of the hair brush shown in broken lines in FIGS. 7-10 and 12 form no part of the second embodiment.

**1 Claim, 8 Drawing Sheets**



(56)

References Cited

U.S. PATENT DOCUMENTS

D115,967 S \* 8/1939 Müller-Munk ..... D4/130  
 2,343,782 A 3/1944 Lotters  
 D165,514 S \* 12/1951 Cosby ..... D4/134  
 2,674,758 A 4/1954 Fay  
 2,699,173 A 1/1955 Grace  
 2,946,074 A 7/1960 Caldwell  
 D190,319 S \* 5/1961 Vallis ..... D4/136  
 D199,176 S \* 9/1964 Seger ..... D4/134  
 3,199,139 A 8/1965 Vallis  
 3,459,199 A 8/1969 Connell  
 4,076,032 A 2/1978 Misercola  
 4,226,251 A 10/1980 Wall  
 4,420,853 A 12/1983 Gilman et al.  
 4,421,129 A 12/1983 Wingard  
 4,423,531 A 1/1984 Wall  
 4,500,939 A 2/1985 Gueret  
 4,566,473 A 1/1986 Hyman  
 4,619,012 A 10/1986 Wachtel  
 4,830,674 A 5/1989 Kaufman  
 4,837,079 A 6/1989 Quantrille et al.  
 4,856,541 A 8/1989 Kellett et al.  
 4,932,425 A 6/1990 Chen  
 4,988,228 A 1/1991 Yeh  
 5,002,075 A 3/1991 Kellett et al.  
 5,017,036 A 5/1991 Vidovic  
 5,062,435 A 11/1991 Ohtsuka  
 5,077,914 A 1/1992 Yamamoto  
 5,148,571 A 9/1992 Brazis et al.  
 5,261,426 A 11/1993 Kellett et al.  
 5,301,695 A 4/1994 Wong  
 5,327,611 A 7/1994 Balster et al.  
 D384,058 S \* 9/1997 Pinon ..... D4/136  
 5,896,614 A 4/1999 Flewitt  
 6,158,442 A 12/2000 Piatetsky  
 6,276,367 B1 8/2001 Piatetsky  
 6,692,505 B1 2/2004 Maier et al.  
 6,810,553 B1 11/2004 Otsuji et al.  
 6,915,807 B2 7/2005 Choi  
 D513,883 S \* 1/2006 Kampel et al. .... D4/133

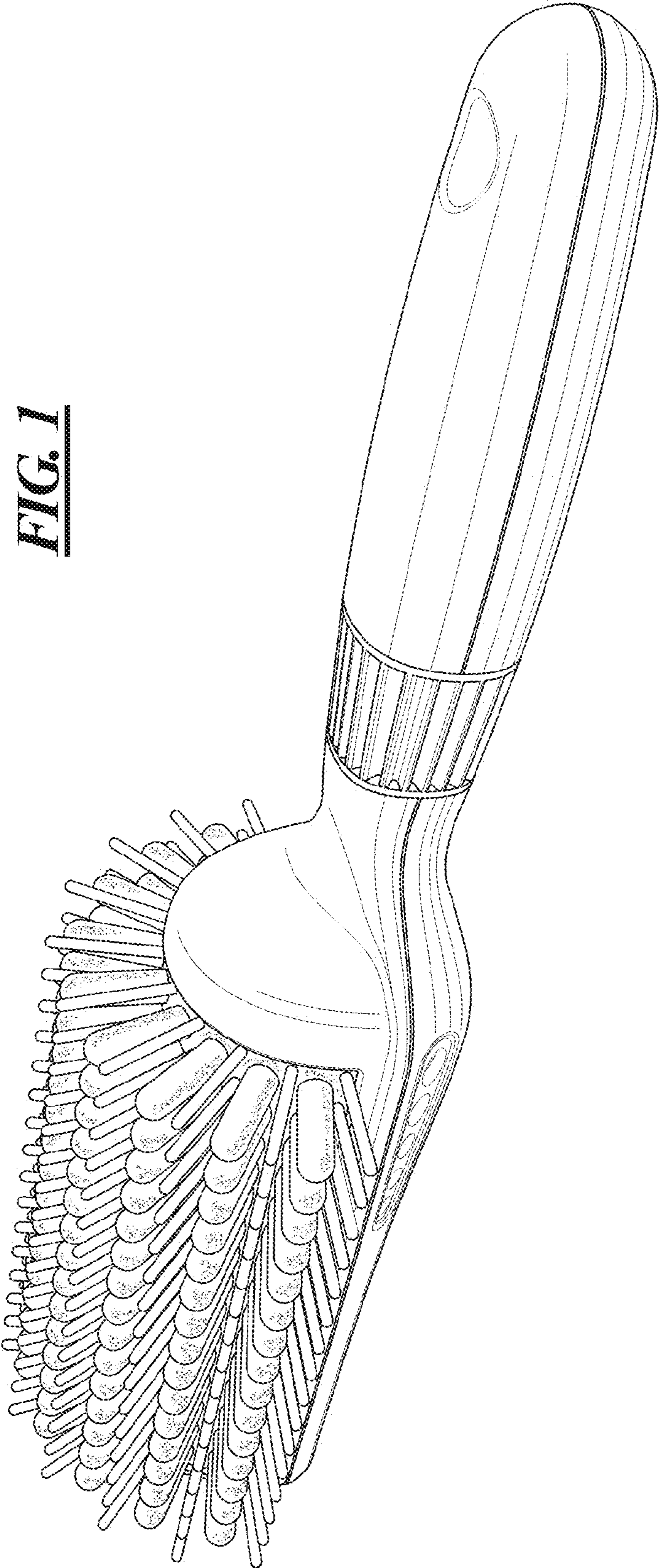
7,195,814 B2 3/2007 Ista et al.  
 7,198,048 B2 4/2007 Johnson  
 7,198,050 B2 4/2007 Gopou et al.  
 7,310,849 B2 12/2007 White et al.  
 7,322,364 B2 1/2008 Hurwitz  
 7,461,659 B2 12/2008 Glynn, Jr. et al.  
 7,610,647 B2 11/2009 Morgan et al.  
 7,694,687 B2 4/2010 Hurwitz  
 7,845,360 B2 12/2010 Walters et al.  
 8,042,216 B2 10/2011 Jochim et al.  
 D669,690 S \* 10/2012 Jacob et al. .... D4/133  
 2004/0065337 A1 4/2004 Wang  
 2004/0237236 A1 12/2004 Gavney, Jr.  
 2005/0066464 A1 3/2005 McKay  
 2005/0081875 A1 4/2005 Wang  
 2005/0198757 A1 9/2005 Gavney, Jr. et al.  
 2006/0026783 A1 \* 2/2006 McKay ..... 15/104.94  
 2007/0079842 A1 4/2007 Glynn, Jr. et al.  
 2007/0144451 A1 6/2007 Hurwitz  
 2008/0098546 A1 5/2008 Warmka et al.  
 2008/0098547 A1 5/2008 McKey  
 2008/0148504 A1 6/2008 Kuo  
 2009/0094772 A1 4/2009 Lee et al.  
 2009/0101160 A1 4/2009 Ruckart  
 2009/0165230 A1 7/2009 Tsuchiya et al.  
 2010/0132625 A1 6/2010 Dionne  
 2011/0119850 A1 5/2011 Mallory et al.  
 2011/0239390 A1 10/2011 Park  
 2011/0239394 A1 10/2011 Pisacane et al.  
 2011/0302733 A1 12/2011 Yuan  
 2012/0110765 A1 5/2012 Lin  
 2012/0151699 A1 6/2012 Gavney, Jr. et al.

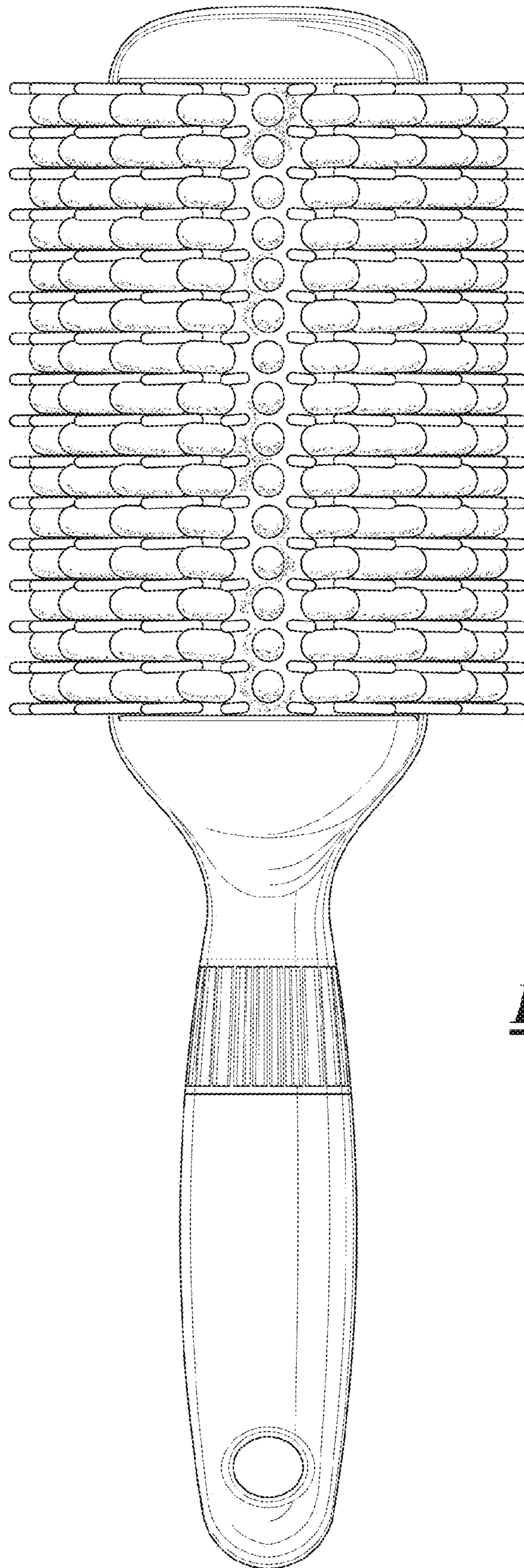
FOREIGN PATENT DOCUMENTS

EP 1272068 B1 3/2004  
 EP 1869992 A1 12/2007  
 JP 2003319835 A \* 11/2003 ..... A46B 13/02  
 KR 30-0354771 S \* 7/2004  
 KR 30-0405488 S \* 2/2006

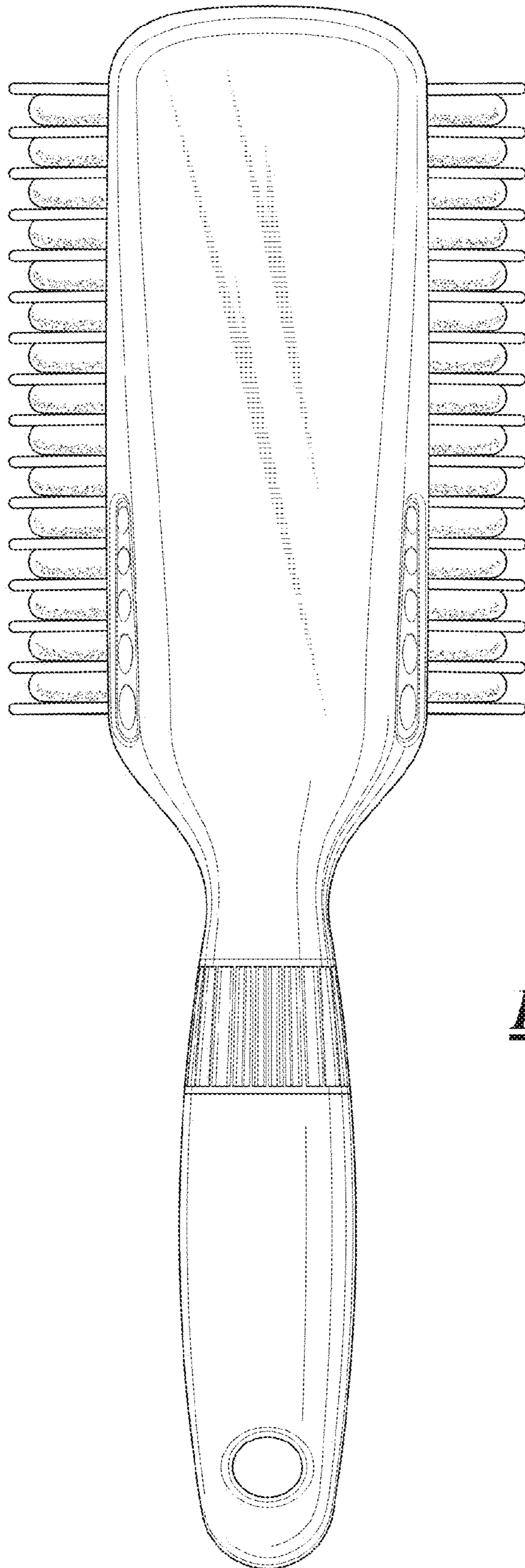
\* cited by examiner

**FIG. 1**

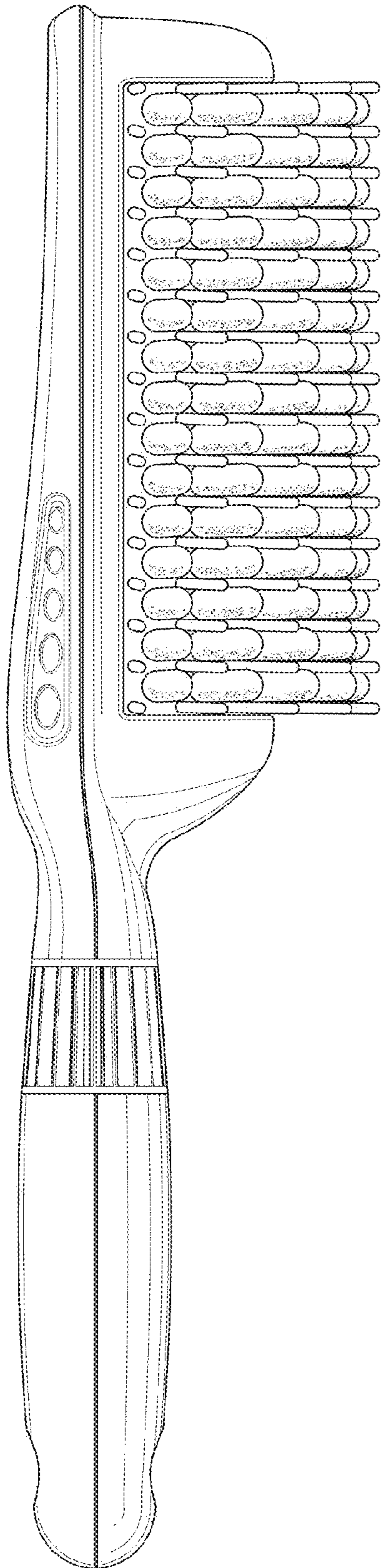




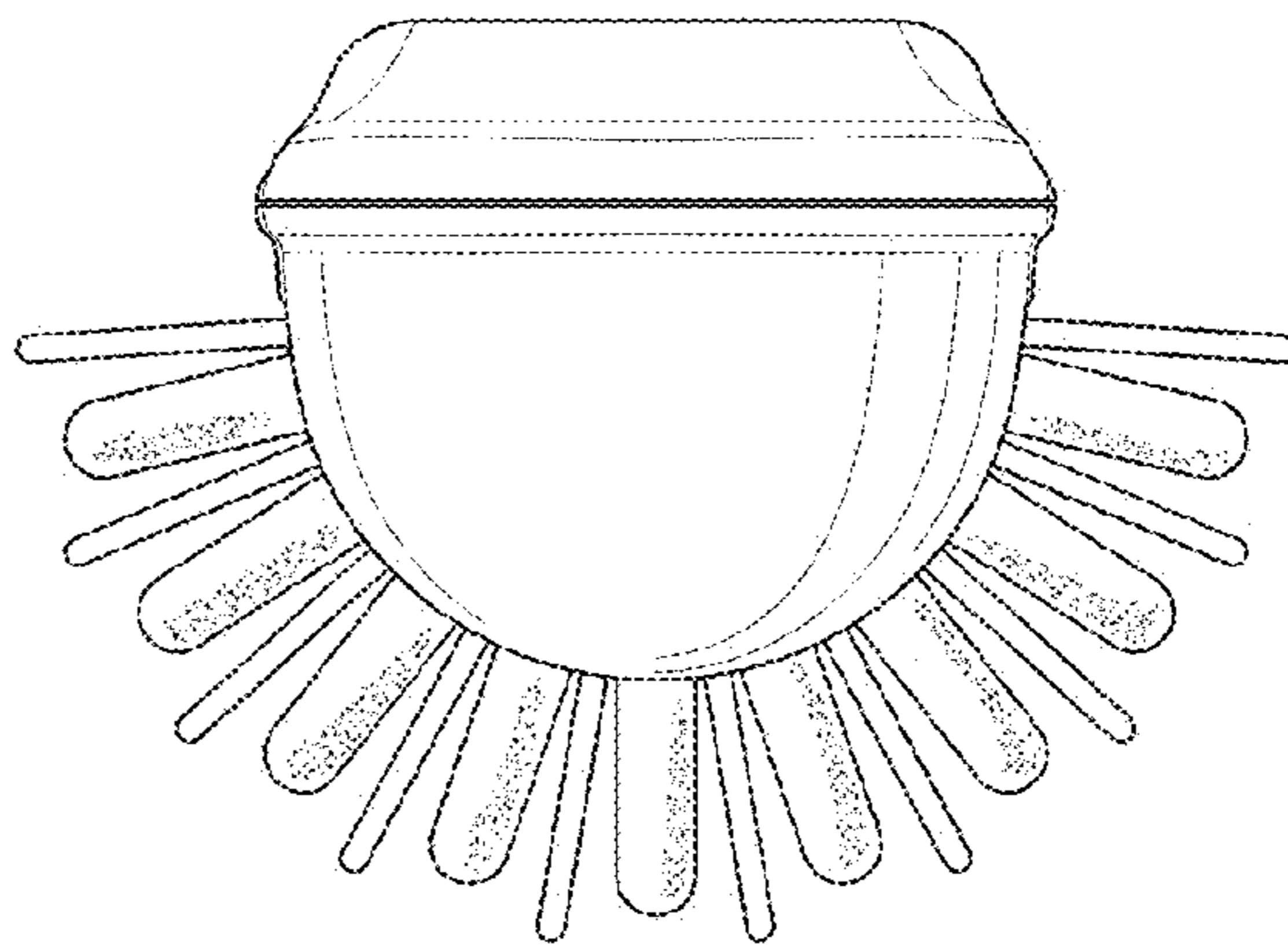
**FIG. 2**



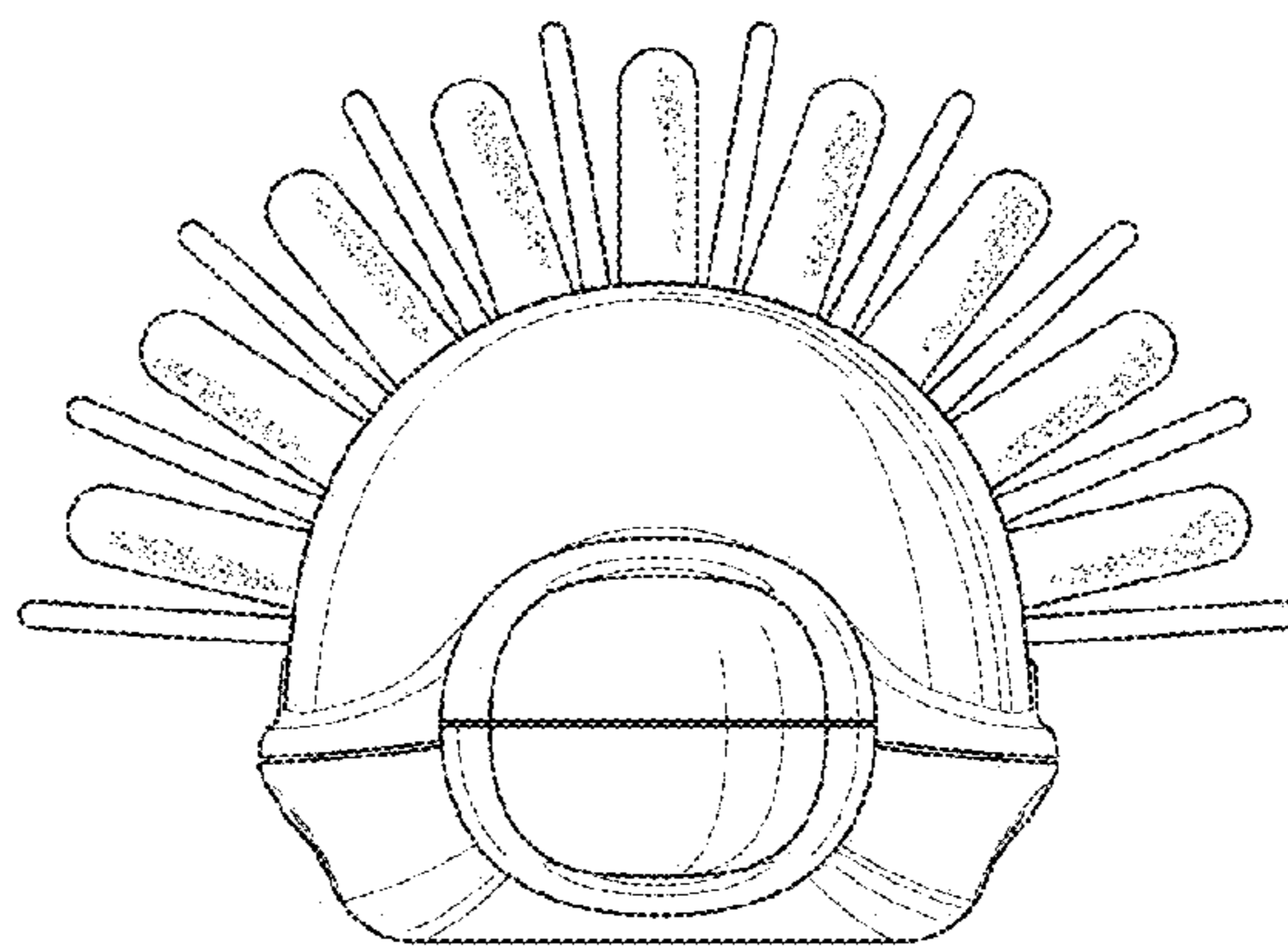
**FIG. 3**



**FIG. 4**

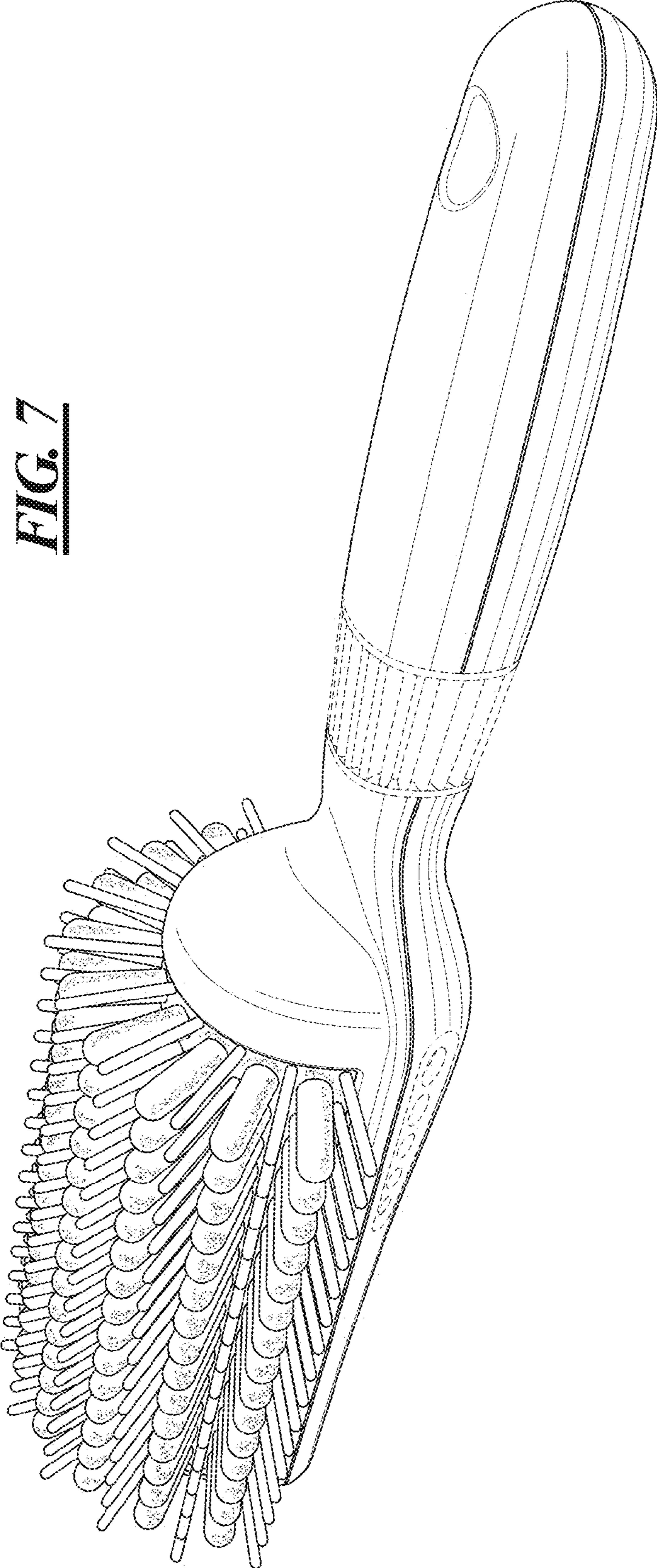


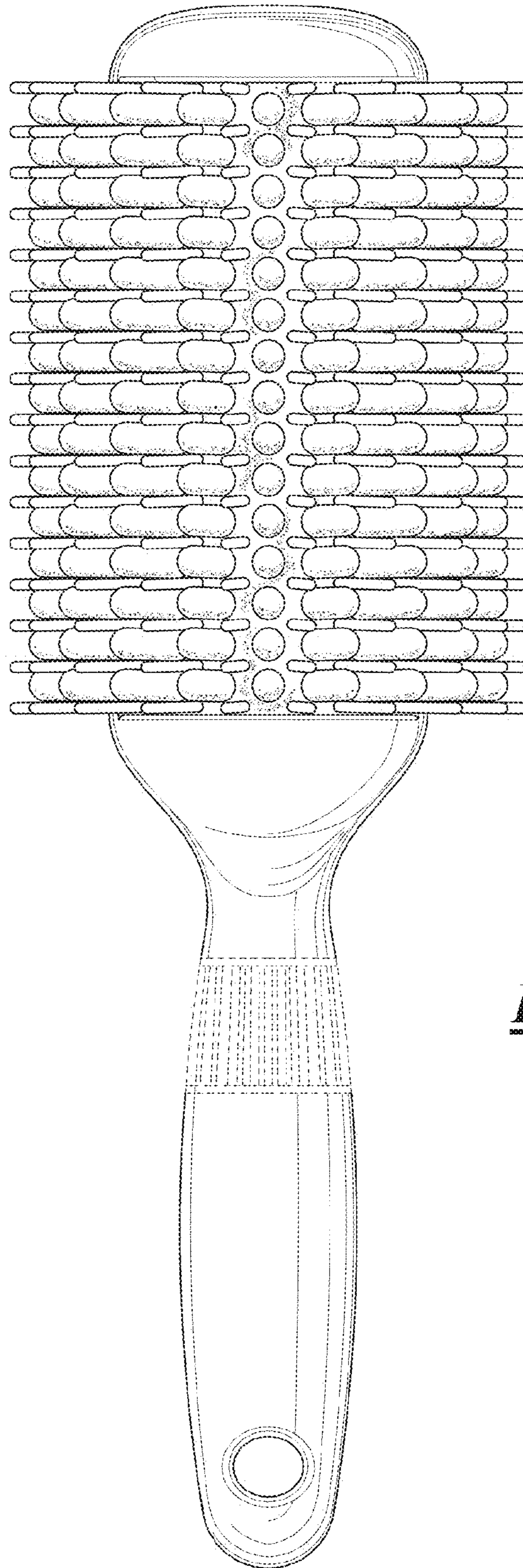
**FIG. 5**



**FIG. 6**

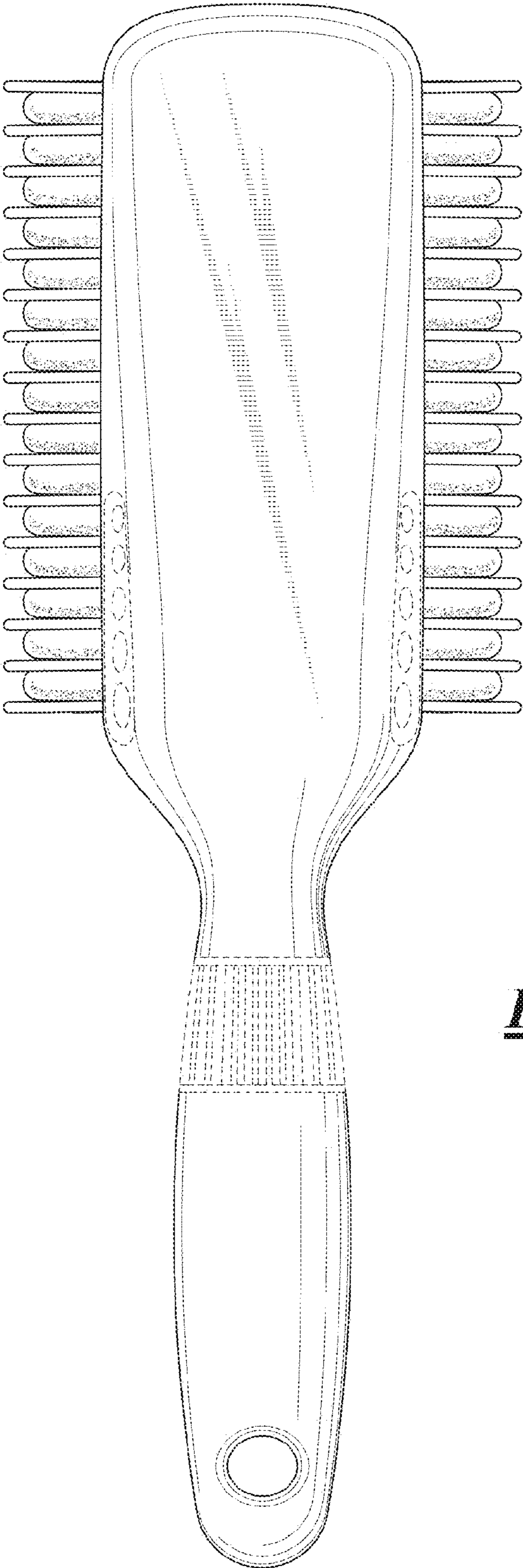
**FIG. 7**



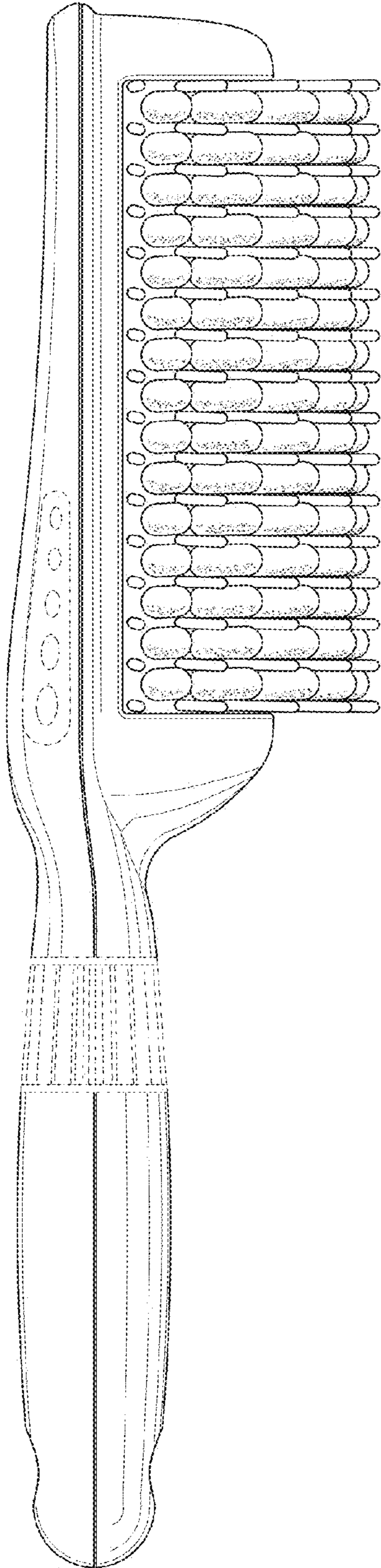


***FIG. 8***

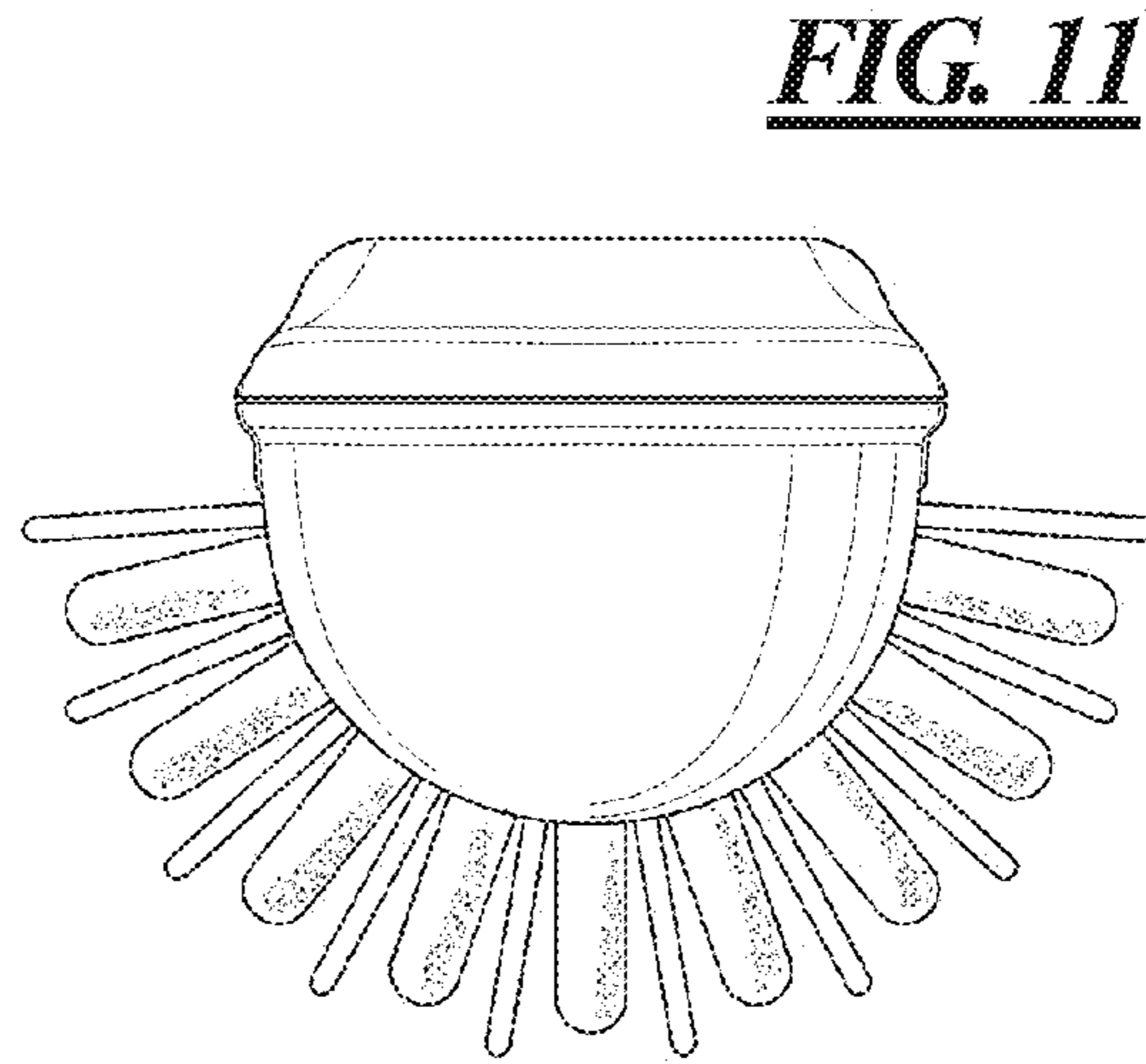




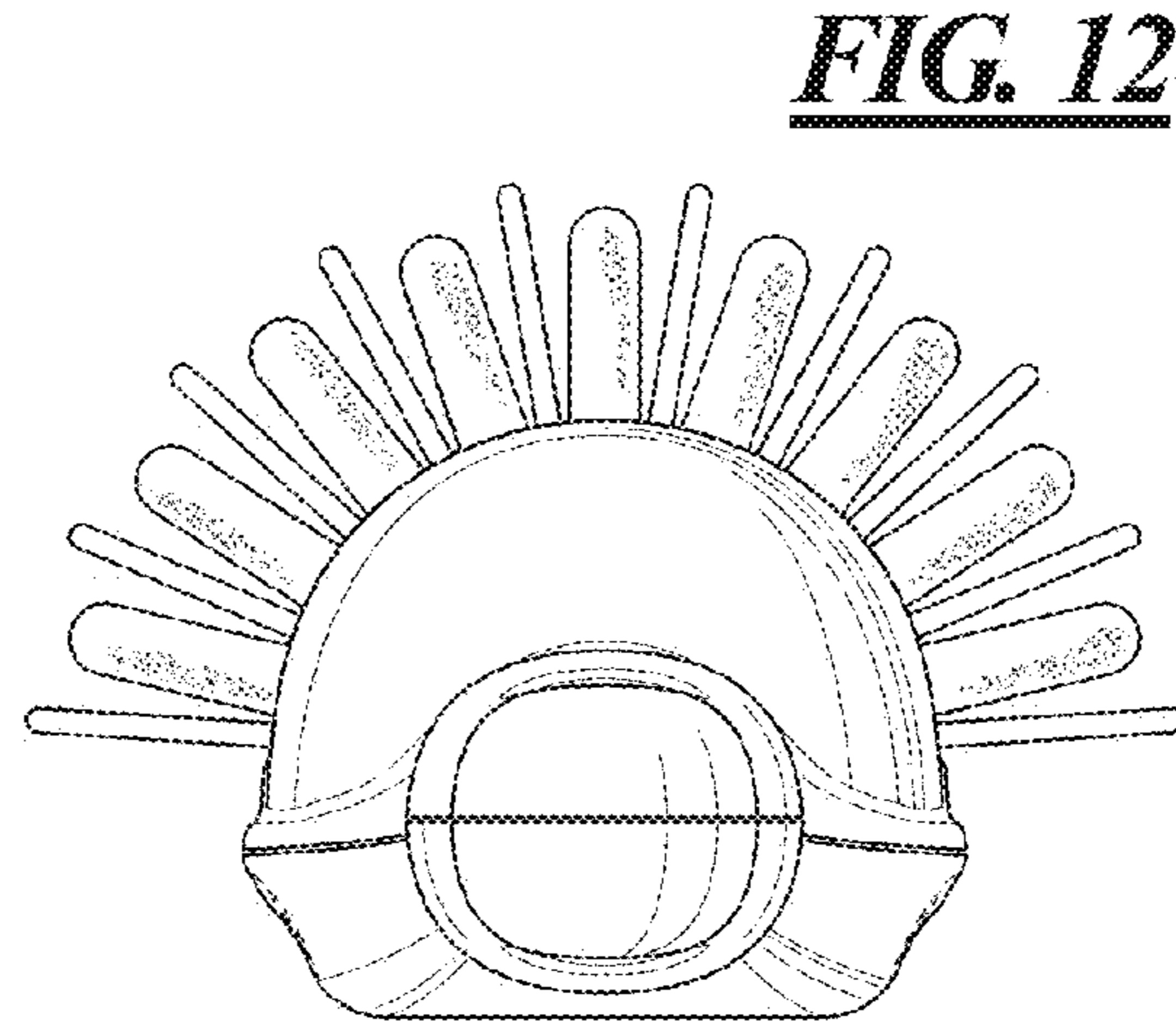
**FIG. 9**



**FIG. 10**



**FIG. 11**



**FIG. 12**