



US00D708853S

(12) **United States Design Patent**
Johnson et al.

(10) **Patent No.:** **US D708,853 S**
(45) **Date of Patent:** **** Jul. 15, 2014**

(54) **POST LOCK TOOL HOLDER FOR L-SHAPED WRENCHES**

(71) Applicant: **Wagic, Inc.**, Los Gatos, CA (US)

(72) Inventors: **Ronald L. Johnson**, San Jose, CA (US);
Yugen Patrick Lockhart, Palo Alto, CA (US)

(73) Assignee: **Wagic, Inc.**, Los Gatos, CA (US)

(**) Term: **14 Years**

(21) Appl. No.: **29/449,627**

(22) Filed: **Mar. 15, 2013**

(51) **LOC (10) Cl.** **03-02**

(52) **U.S. Cl.**
USPC **D3/315**

(58) **Field of Classification Search**
USPC D3/315, 316, 321, 228, 229, 303, 309,
D3/259; D6/468; 81/117.4, 490; 206/209,
206/349, 362, 372, 377; 224/148.7, 230,
224/677, 679, 161, 249; D9/434, 455, 753
See application file for complete search history.

(56) **References Cited**

U.S. PATENT DOCUMENTS

| | | | | |
|-----------|-----|---------|-----------------|---------|
| 1,970,409 | A | 8/1934 | Wiedemann | |
| 2,590,307 | A * | 3/1952 | Gibson | 206/377 |
| 3,370,696 | A * | 2/1968 | Groe | 294/161 |
| 4,327,790 | A | 5/1982 | Stevens et al. | |
| D284,810 | S * | 7/1986 | Kelemen, Sr. | D3/315 |
| 5,036,975 | A | 8/1991 | Chow | |
| 5,542,322 | A | 8/1996 | Knox et al. | |
| 5,692,656 | A * | 12/1997 | Dembicks | 224/249 |
| 5,711,042 | A | 1/1998 | Chuang | |
| 5,711,194 | A | 1/1998 | Anderson et al. | |
| 5,758,870 | A | 6/1998 | Weaver | |
| 5,768,960 | A | 6/1998 | Archuleta | |
| 5,803,584 | A | 9/1998 | Chung | |

| | | | | |
|-----------|-----|---------|---------------|---------|
| 5,938,028 | A * | 8/1999 | Hu | 206/377 |
| 5,983,759 | A | 11/1999 | Turner | |
| 6,032,796 | A | 3/2000 | Hopper et al. | |
| 6,044,973 | A | 4/2000 | Vasudeva | |
| D427,875 | S | 7/2000 | Chiu | |

(Continued)

FOREIGN PATENT DOCUMENTS

| | | | |
|----|---------|---|--------|
| CA | 1232781 | A | 2/1988 |
| CN | 2628230 | Y | 7/2004 |

(Continued)

Primary Examiner — Ian Simmons

Assistant Examiner — Charles Hanson

(74) *Attorney, Agent, or Firm* — Haverstock & Owens LLP

(57) **CLAIM**

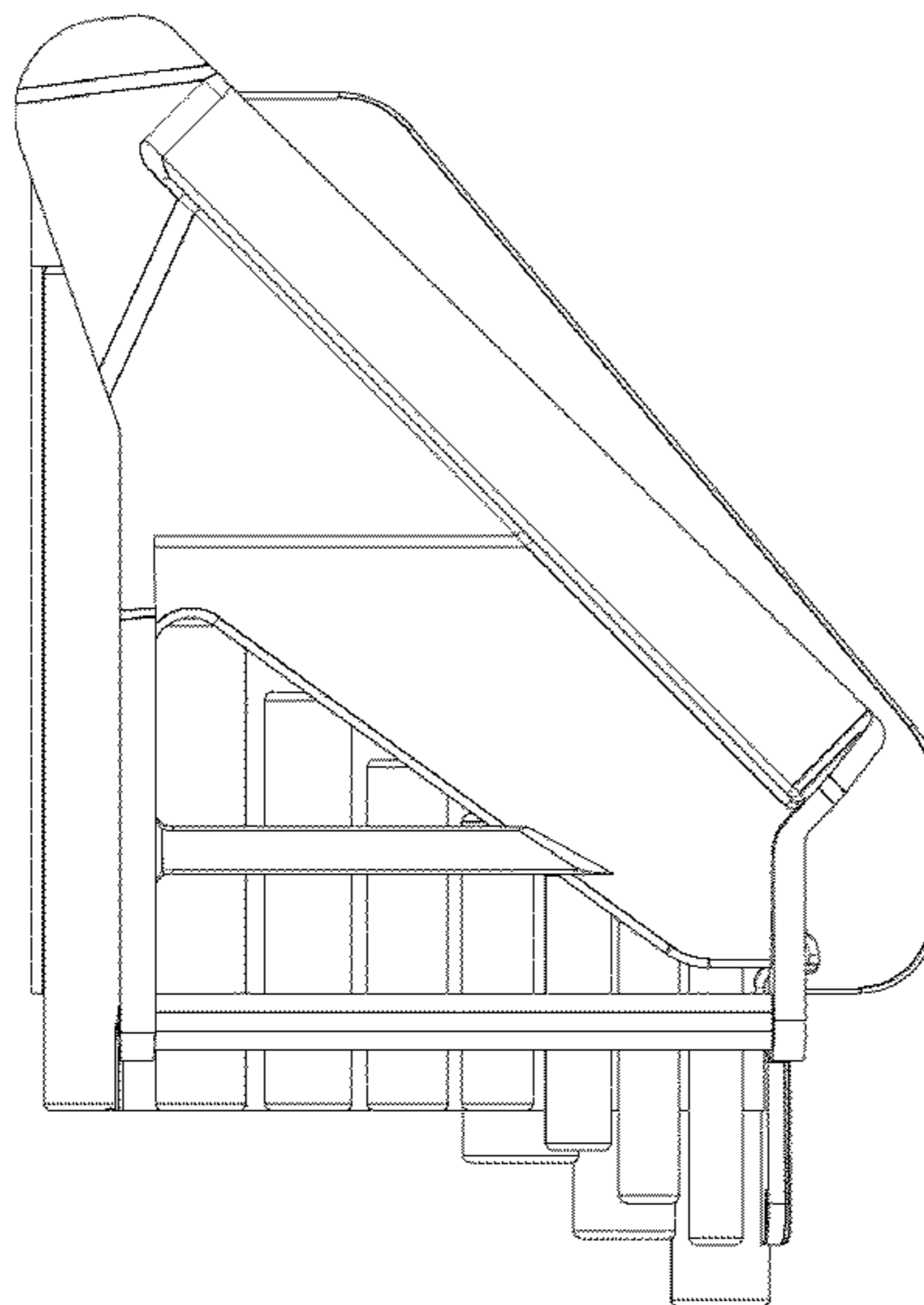
The ornamental design for a post lock tool holder for L-shaped wrenches, as shown and described.

DESCRIPTION

FIG. 1 is a front view of a post lock tool holder for L-shaped wrenches showing our new design;
 FIG. 2 is a back view thereof;
 FIG. 3 is a left side view thereof;
 FIG. 4 is a right side view thereof;
 FIG. 5 is a bottom view thereof;
 FIG. 6 is a top view thereof;
 FIG. 7 is a front view thereof, in an opened position;
 FIG. 8 is a back view thereof;
 FIG. 9 is a left side view thereof;
 FIG. 10 is a right side view thereof;
 FIG. 11 is a bottom view thereof;
 FIG. 12 is a top view thereof; and,
 FIG. 13 is a front view thereof.

The broken line showing of the wrenches is included for the purpose of illustrating an environment and forms no part of the claimed design.

1 Claim, 13 Drawing Sheets



(56)

References Cited

U.S. PATENT DOCUMENTS

D433,613 S * 11/2000 Jialin D8/71
6,202,864 B1 * 3/2001 Ernst et al. 211/70.6
D440,852 S * 4/2001 Ernst D8/71
6,260,453 B1 7/2001 Anderson et al.
6,371,290 B1 4/2002 Yearous et al.
D461,311 S * 8/2002 Gharib D3/315
7,080,582 B2 7/2006 Karle
D548,464 S * 8/2007 Lin D3/315
7,409,894 B1 8/2008 Valentine
D604,509 S * 11/2009 Andrews D3/259

7,698,972 B2 4/2010 Hi
8,336,428 B2 12/2012 Johnson et al.
2001/0045145 A1 11/2001 Legg
2003/0188610 A1 10/2003 Lin
2008/0223179 A1 9/2008 Nash et al.

FOREIGN PATENT DOCUMENTS

JP 61136778 6/1986
JP 03103162 10/1991
JP 08505812 6/1996
WO 9412322 A1 6/1994

* cited by examiner

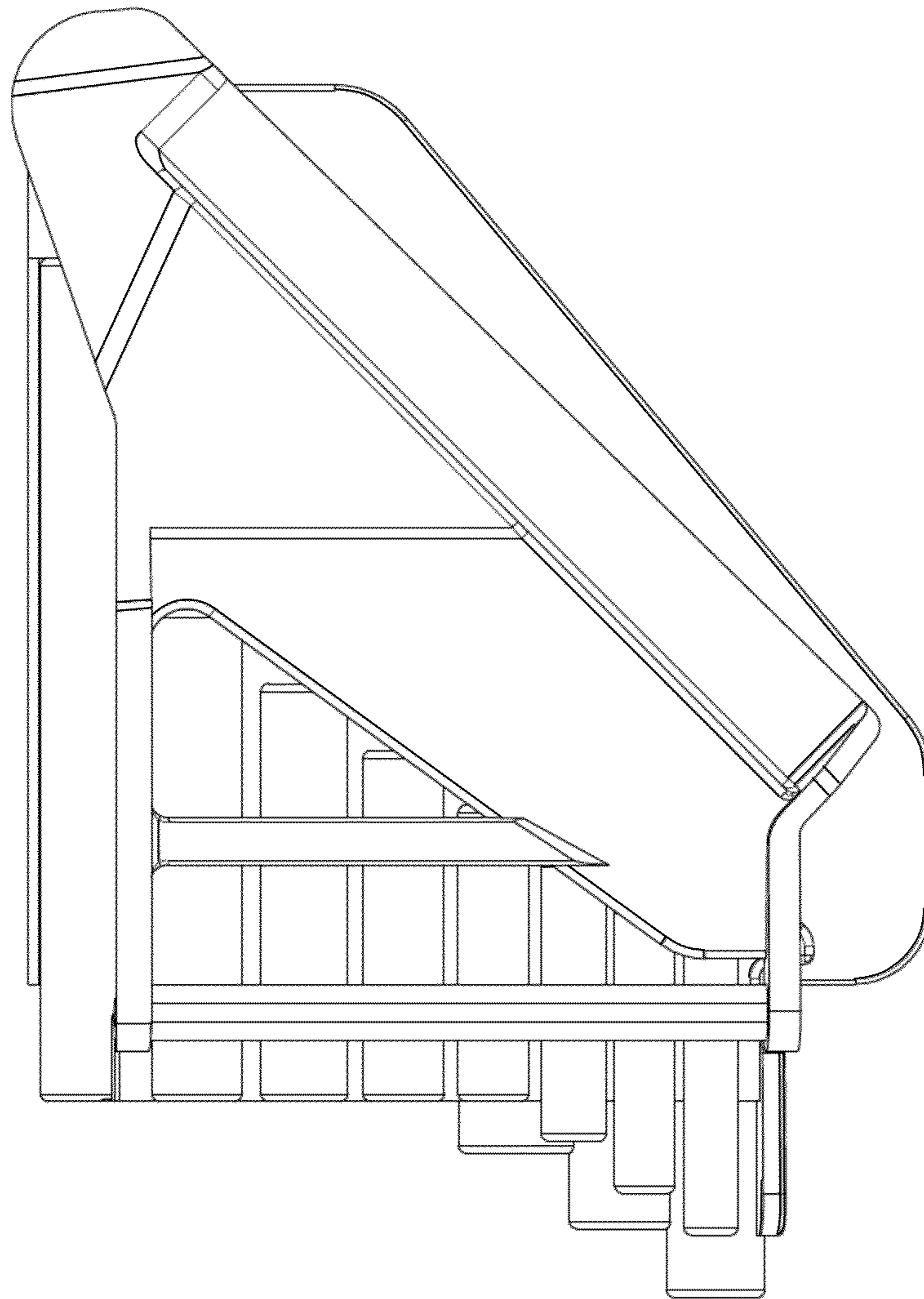


Fig. 1

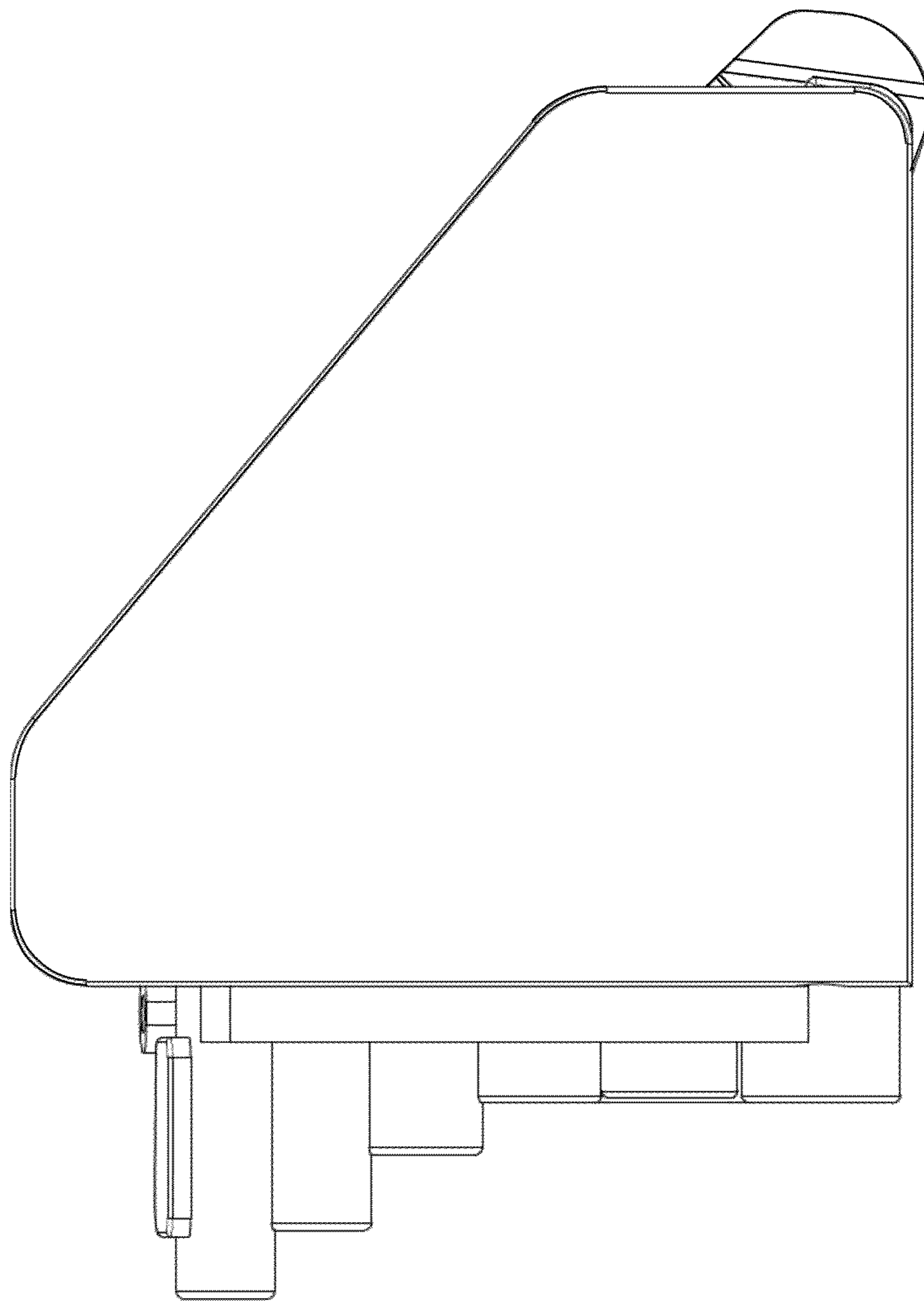


Fig. 2

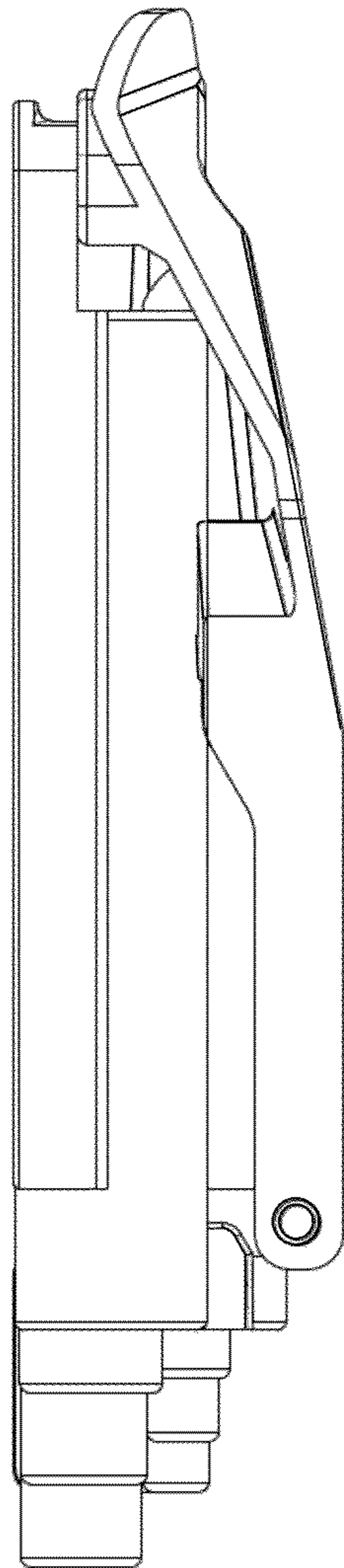


Fig. 3

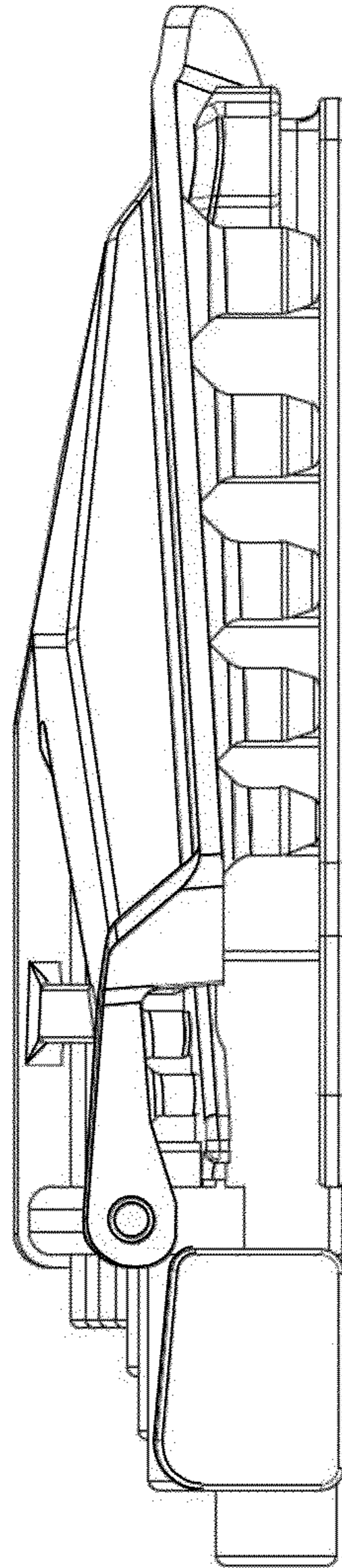


Fig. 4

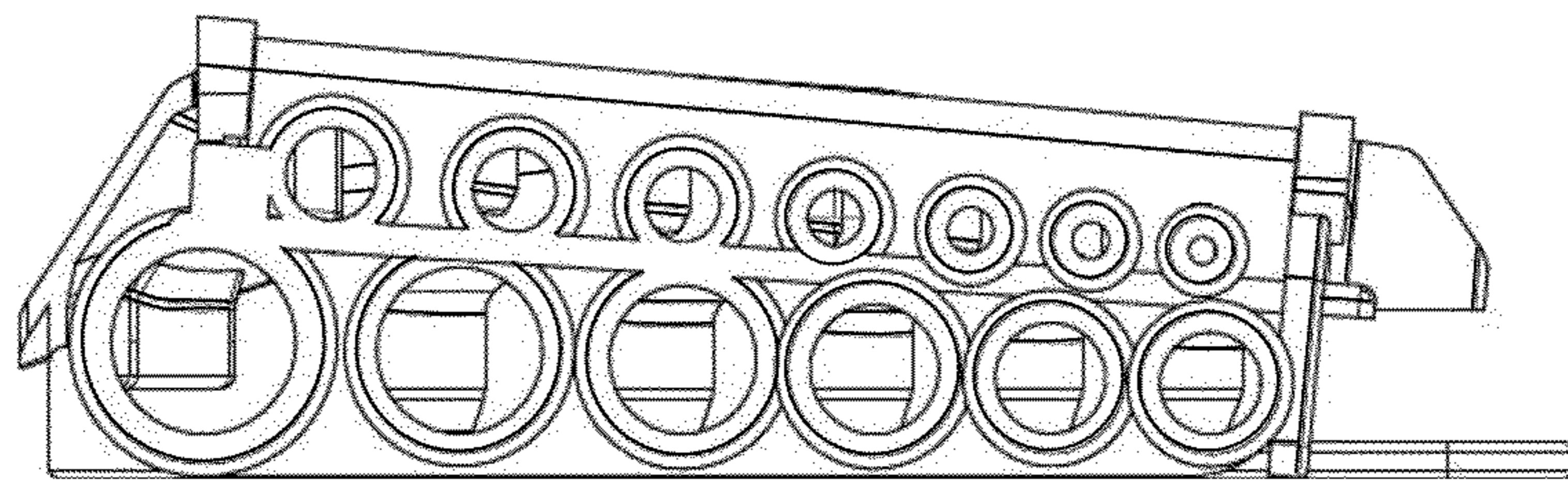


Fig. 5

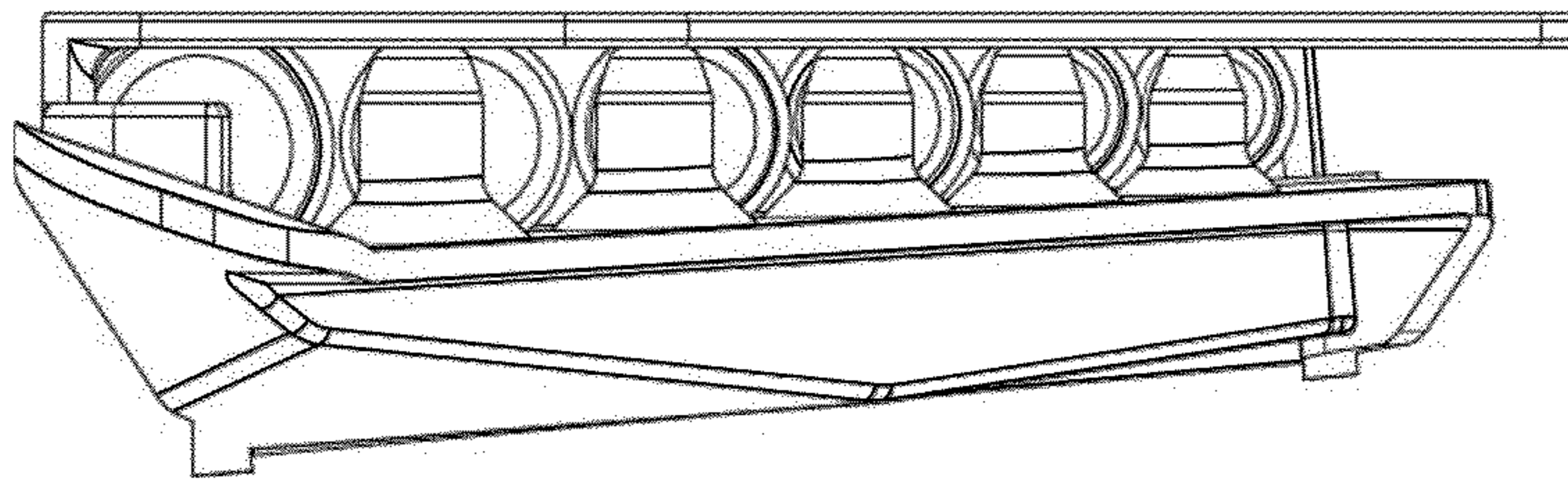


Fig. 6

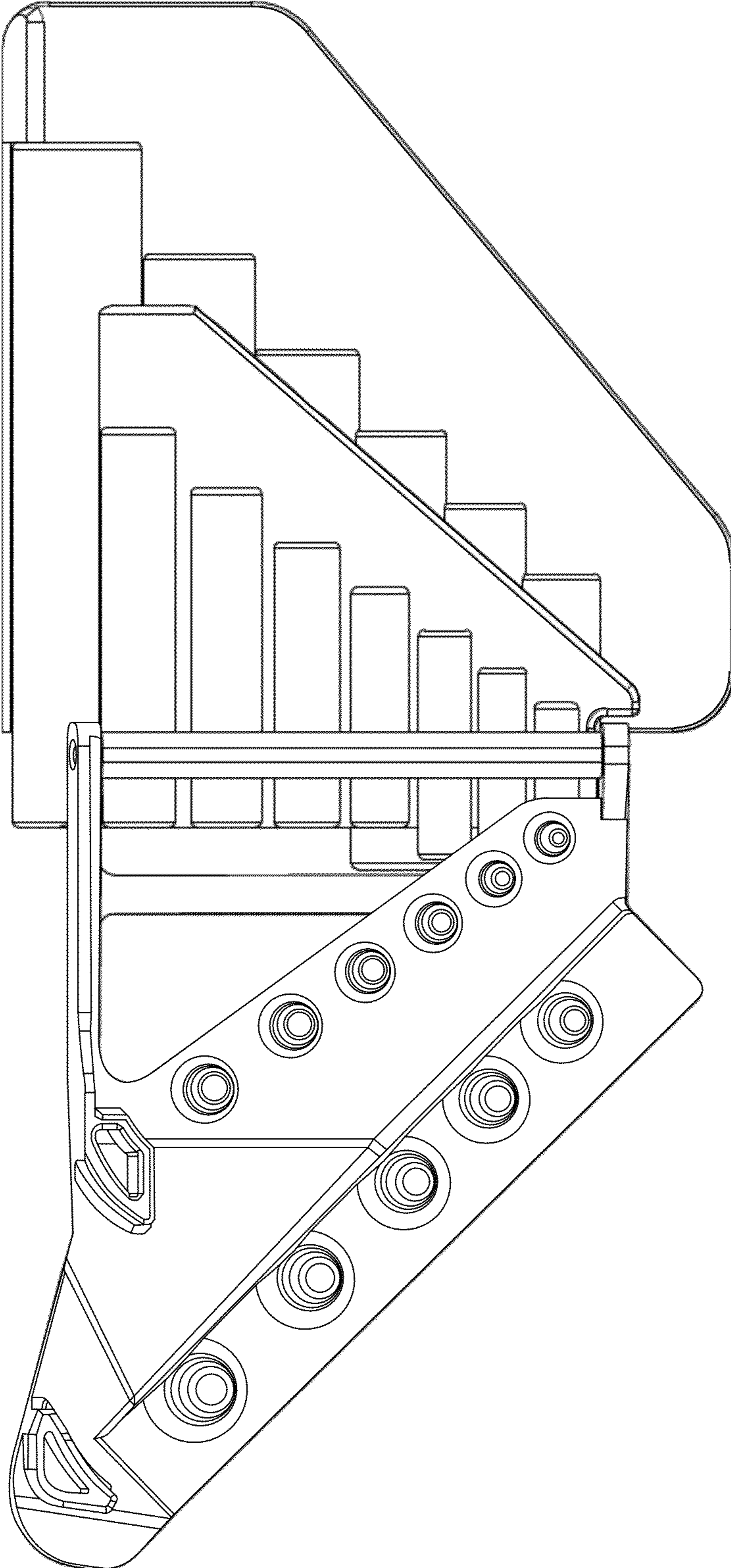


Fig. 7

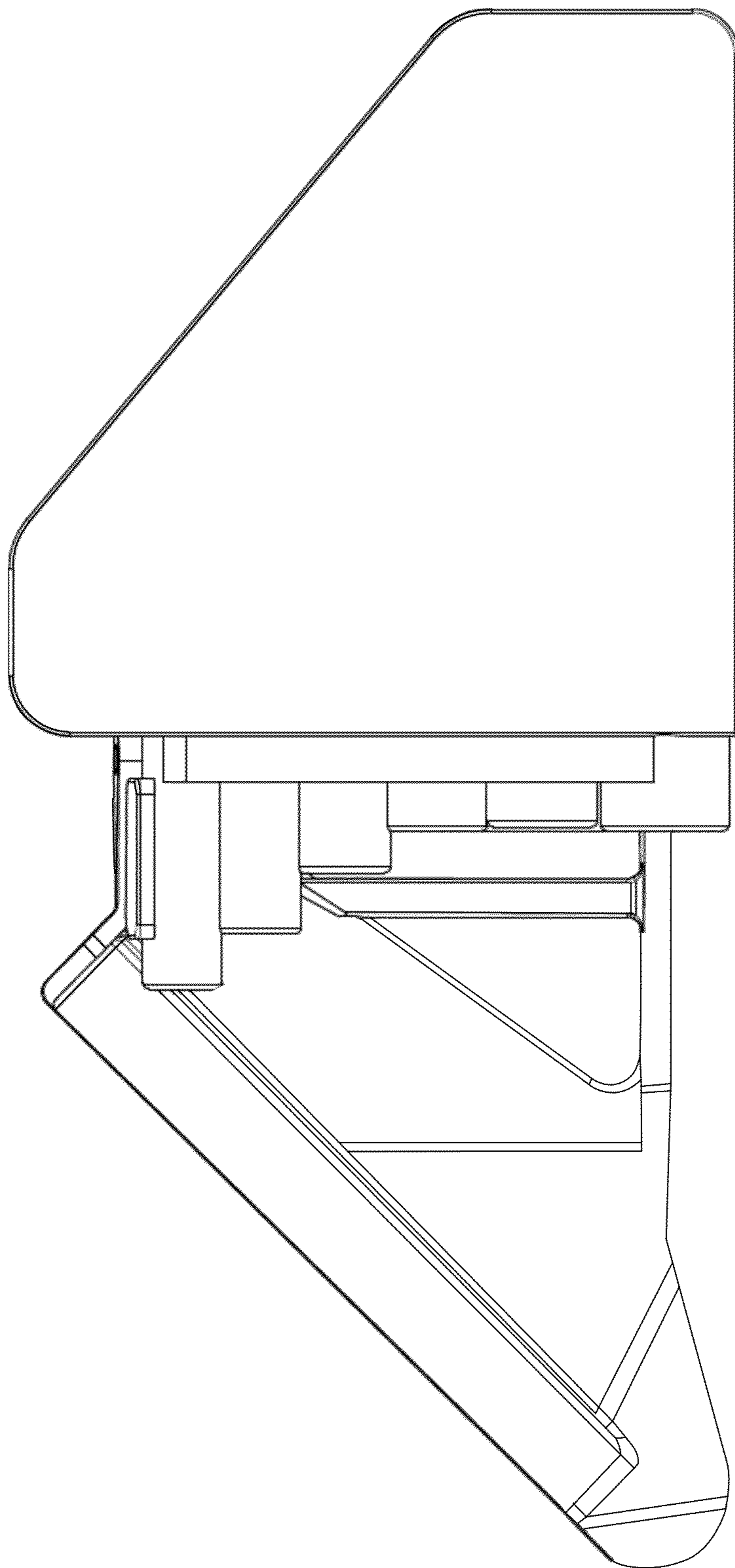


Fig. 8

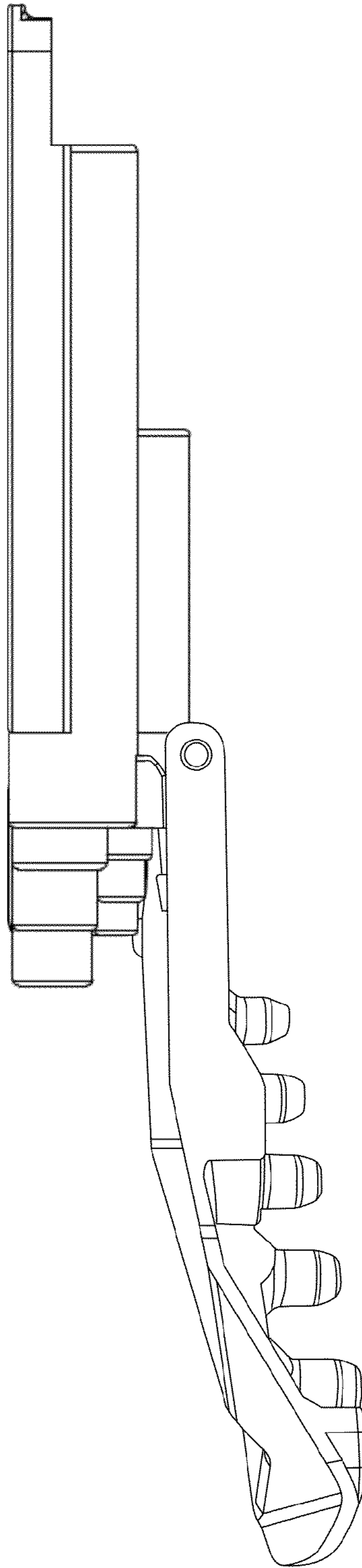


Fig. 9

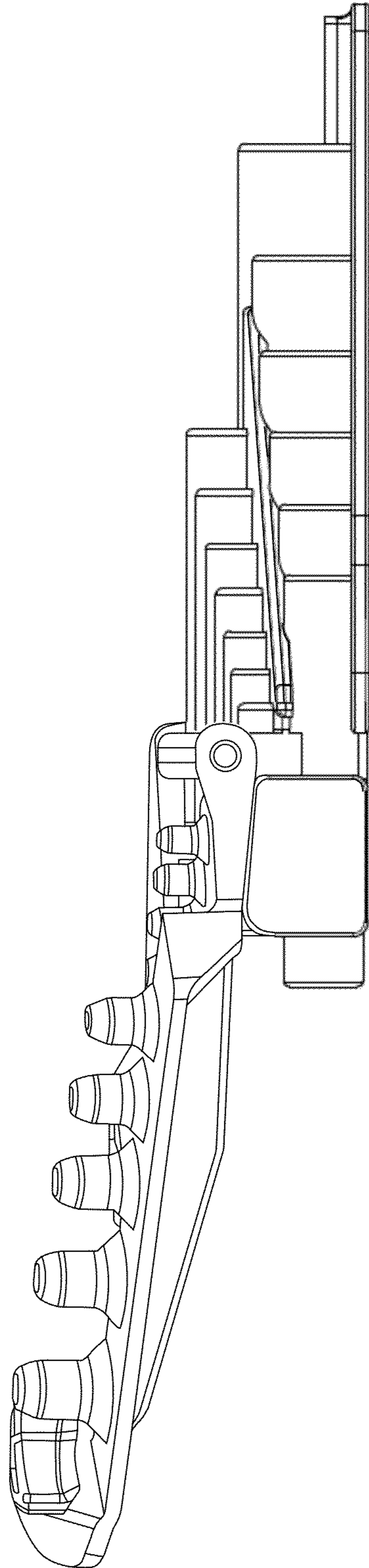


Fig. 10

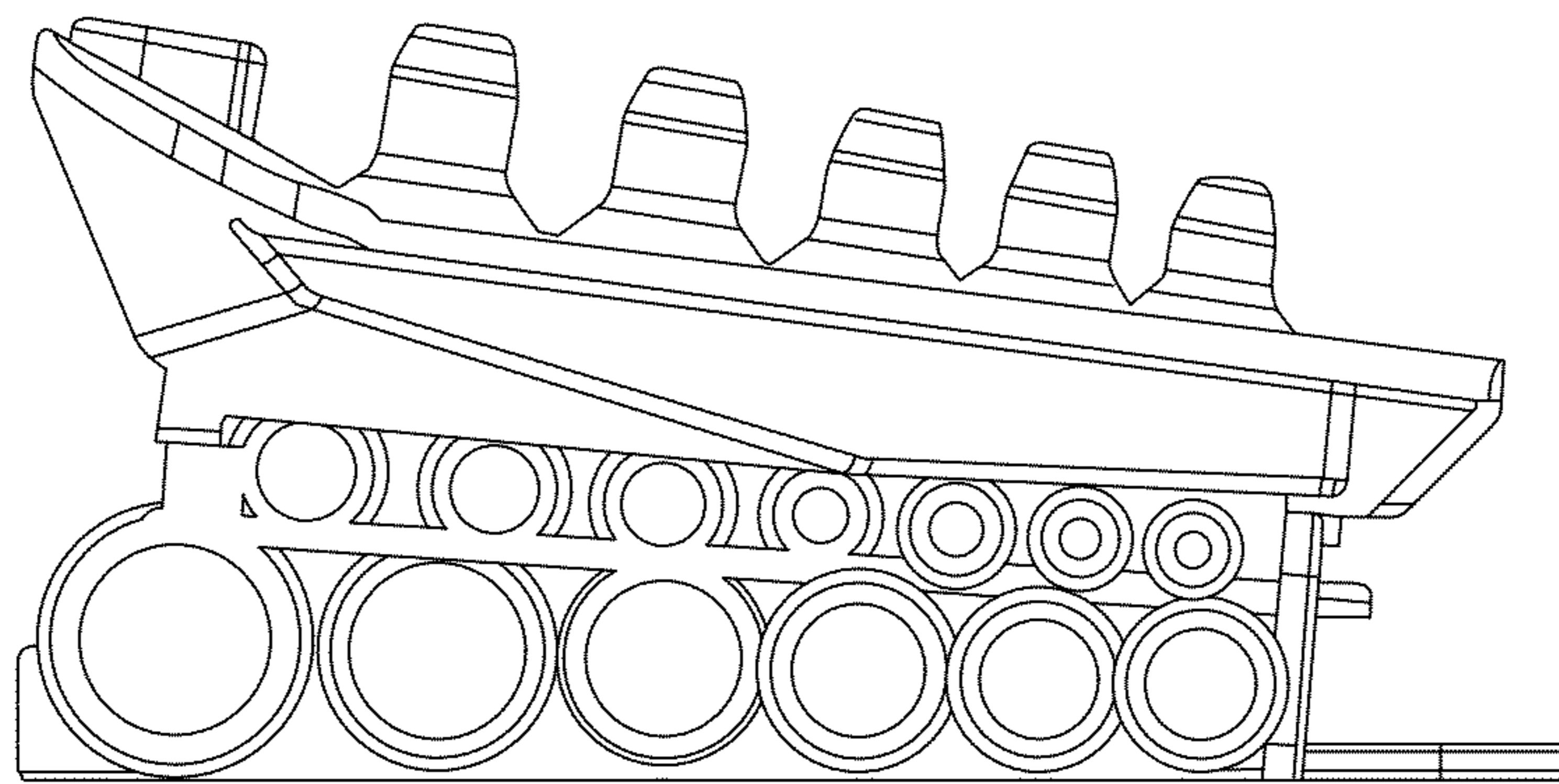


Fig. 11

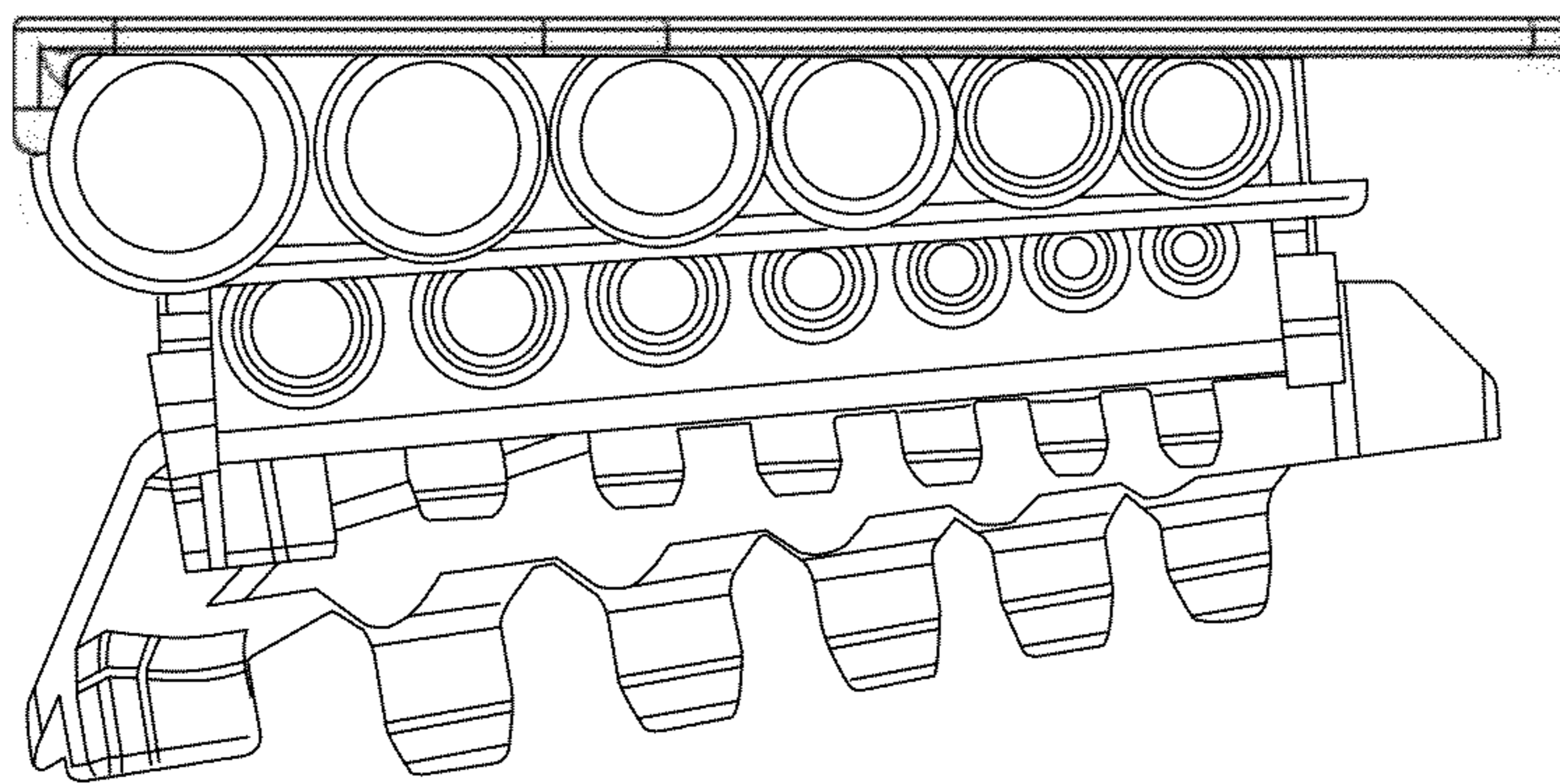


Fig. 12

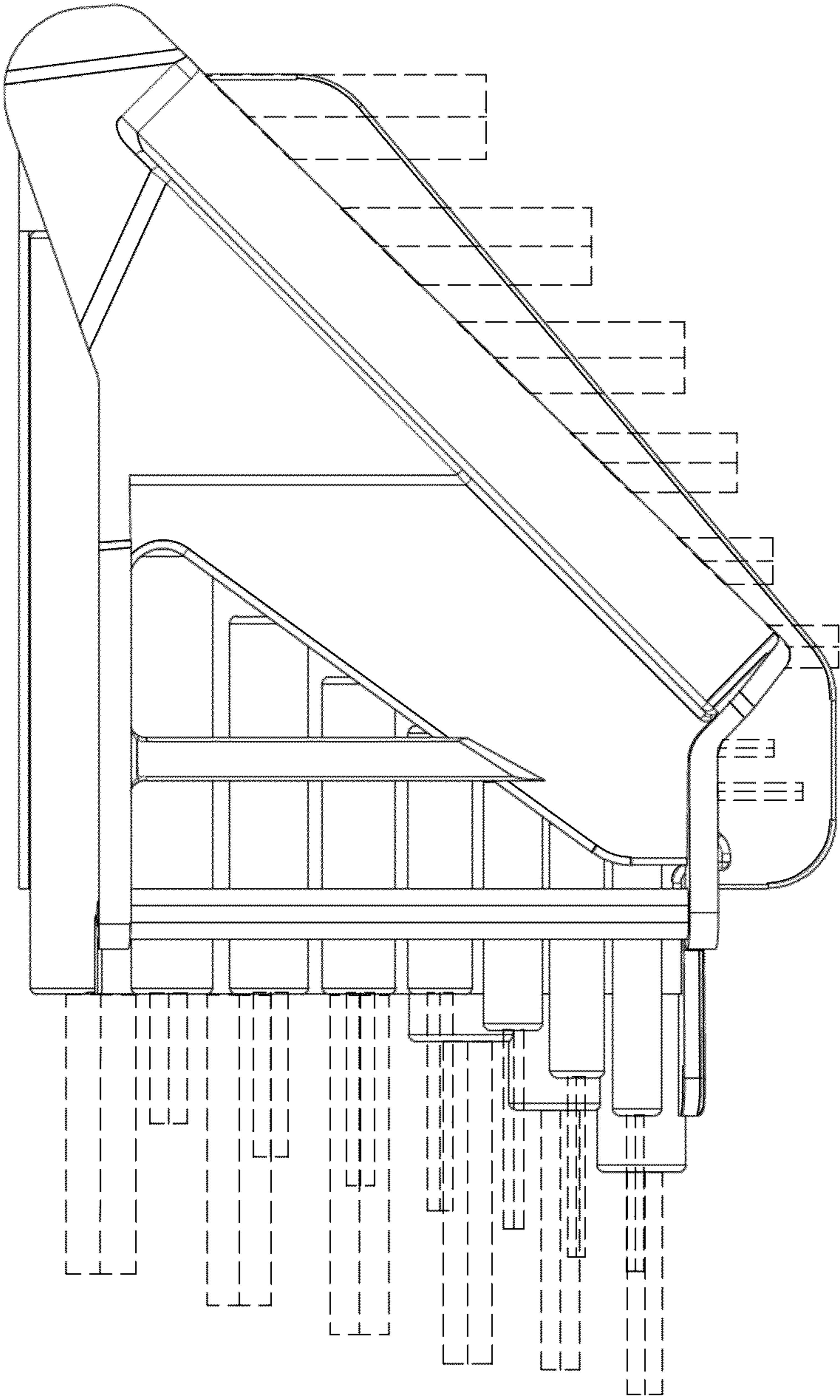


Fig. 13