



US00D708851S

(12) **United States Design Patent**
Cooper

(10) **Patent No.:** **US D708,851 S**
(45) **Date of Patent:** **** Jul. 15, 2014**

- (54) **ARTICLE ORGANIZER**
- (71) Applicant: **Elizabeth Anne Cooper**, Tall Timbers, MD (US)
- (72) Inventor: **Elizabeth Anne Cooper**, Tall Timbers, MD (US)
- (**) Term: **14 Years**
- (21) Appl. No.: **29/442,491**
- (22) Filed: **Mar. 13, 2013**
- (51) **LOC (10) Cl.** **03-01**
- (52) **U.S. Cl.**
USPC **D3/299; D3/20**
- (58) **Field of Classification Search**
USPC D3/272, 273, 299, 300, 303, 905, 206, D3/18, 20; 206/349, 372, 373, 376, 379, 206/581, 383; 383/39; 42/95
See application file for complete search history.

D449,443 S *	10/2001	Snider	D3/299
D449,444 S *	10/2001	Snider	D3/299
D458,743 S *	6/2002	Brookhouse	D3/206
D459,071 S *	6/2002	Brookhouse	D3/206
D466,686 S *	12/2002	Brookhouse	D3/206
D471,011 S *	3/2003	Kowalsky	D3/299
D476,811 S *	7/2003	Brookhouse	D3/299
D630,837 S *	1/2011	Ferrence et al.	D3/205
D631,244 S *	1/2011	Ferrence et al.	D3/205
D699,030 S *	2/2014	Etzler	D3/206

* cited by examiner

Primary Examiner — Adir Aronovich
Assistant Examiner — Ethiene Salgado-Rodriguez
(74) *Attorney, Agent, or Firm* — Joseph R. Birkner

(57) **CLAIM**
The ornamental design for an article organizer, as shown and described.

DESCRIPTION

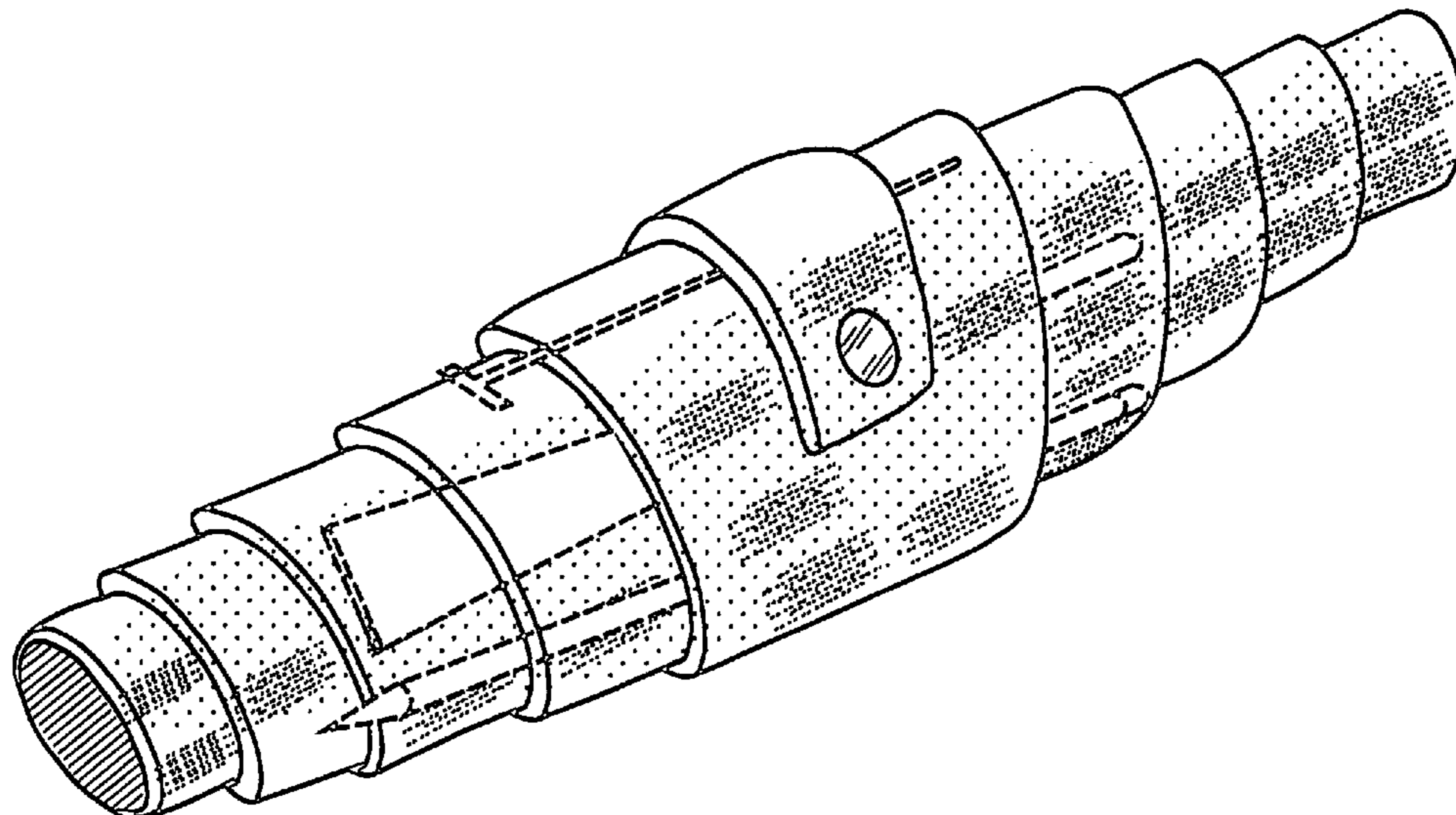
FIG. 1 is a perspective view of an article organizer showing my new design;
FIG. 2 is a front elevation view thereof;
FIG. 3 is a right side elevation view thereof;
FIG. 4 is a left side elevation view thereof;
FIG. 5 is a rear elevation view thereof;
FIG. 6 is a top plan view thereof,
FIG. 7 is a bottom plan view thereof; and,
FIG. 8 is a perspective view of an article organizer showing my new design in use.
The broken line showing a pencil, a letter opener and a knitting needle in FIG. 8 is for illustrative purposes only and forms no part of the claimed design.
The diagonal shading represents a flat surface.

1 Claim, 7 Drawing Sheets

(56) **References Cited**

U.S. PATENT DOCUMENTS

1,094,009 A *	4/1914	Parkhurst	206/373
3,084,788 A	4/1963	Ford	
3,749,233 A *	7/1973	McCormick, Jr.	206/373
3,850,487 A	11/1974	Batchelor	
D236,552 S *	8/1975	Wagner et al.	D3/299
4,126,366 A	11/1978	Handler et al.	
D276,004 S *	10/1984	Mink	D3/299
D297,595 S	9/1988	Sawai	
4,880,315 A *	11/1989	Berry et al.	383/39
4,901,464 A *	2/1990	Banoun	42/95
6,070,729 A *	6/2000	Barnes	206/581
D445,564 S *	7/2001	Brookhouse	D3/206



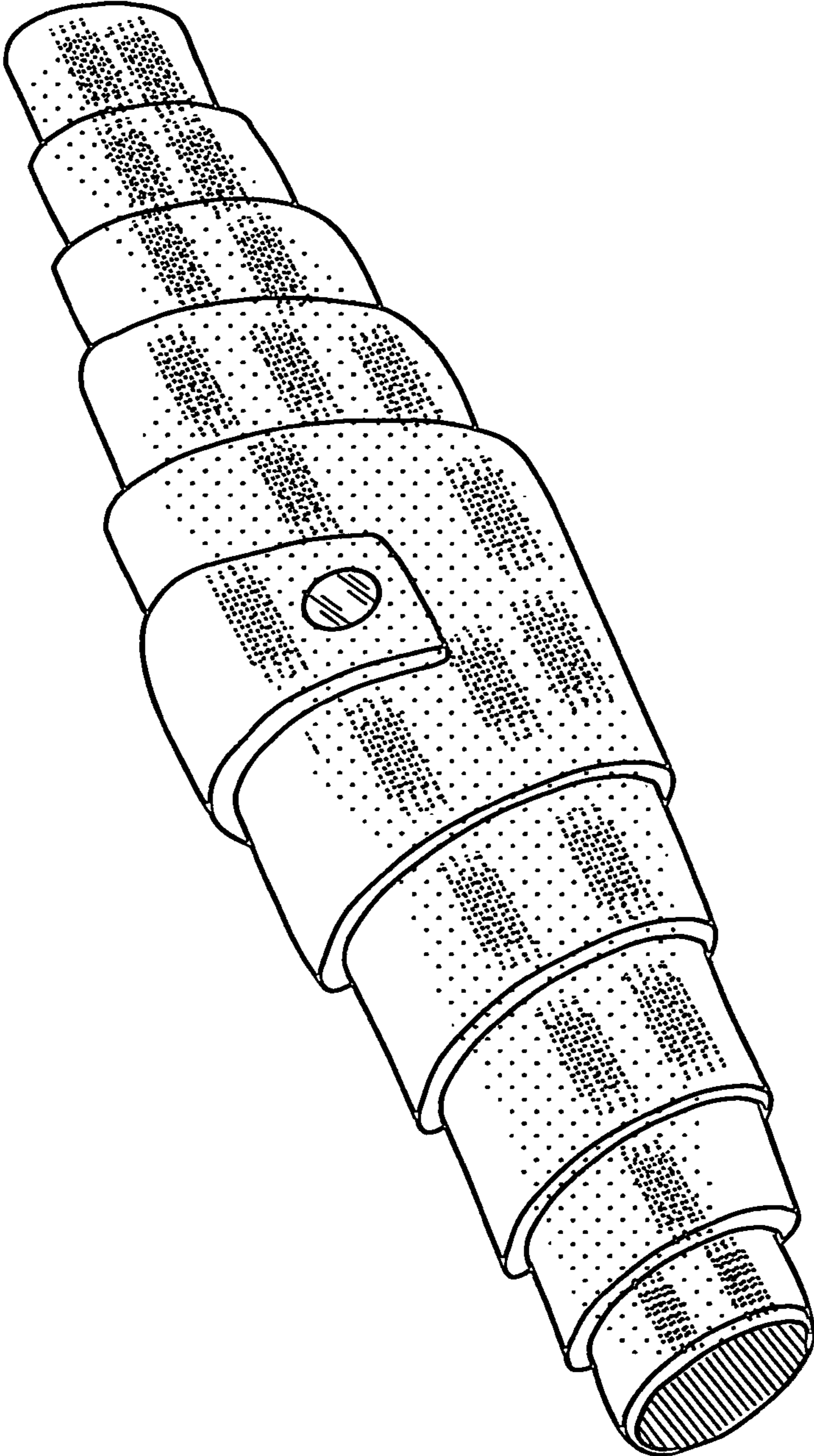


FIG. 1

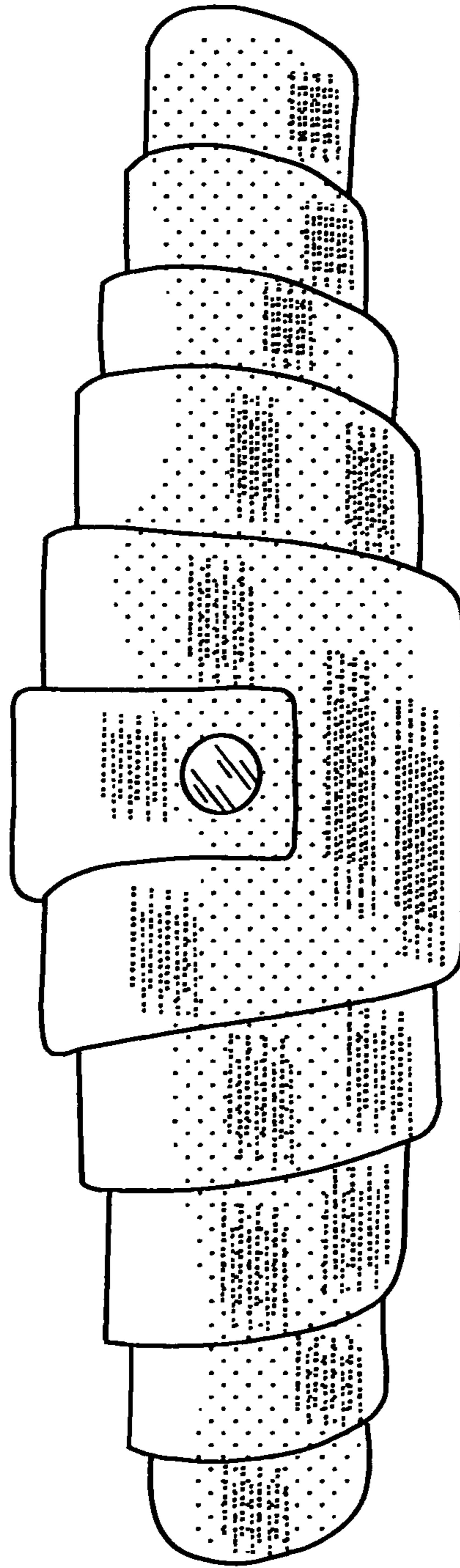


FIG. 2

FIG. 4

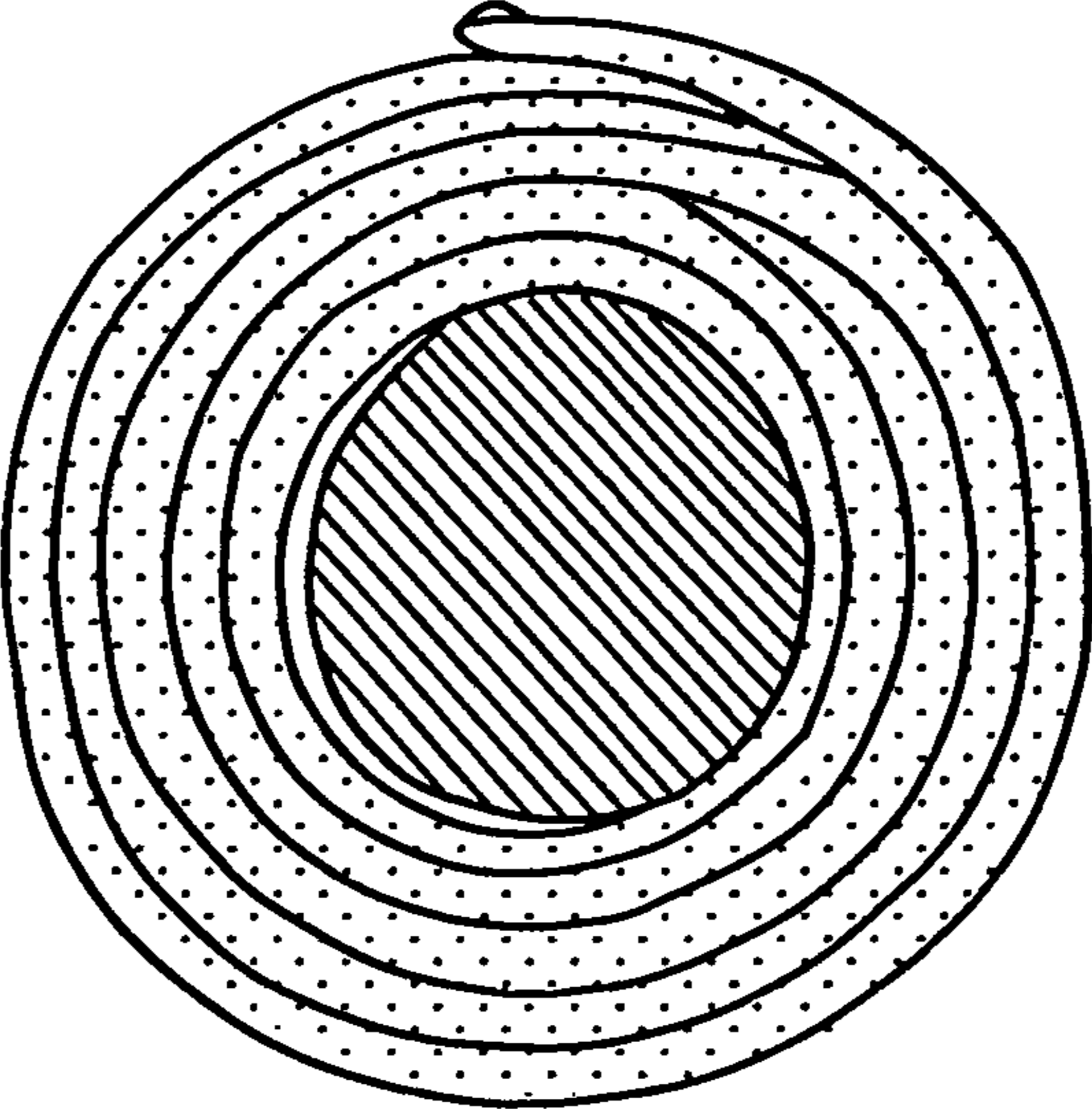
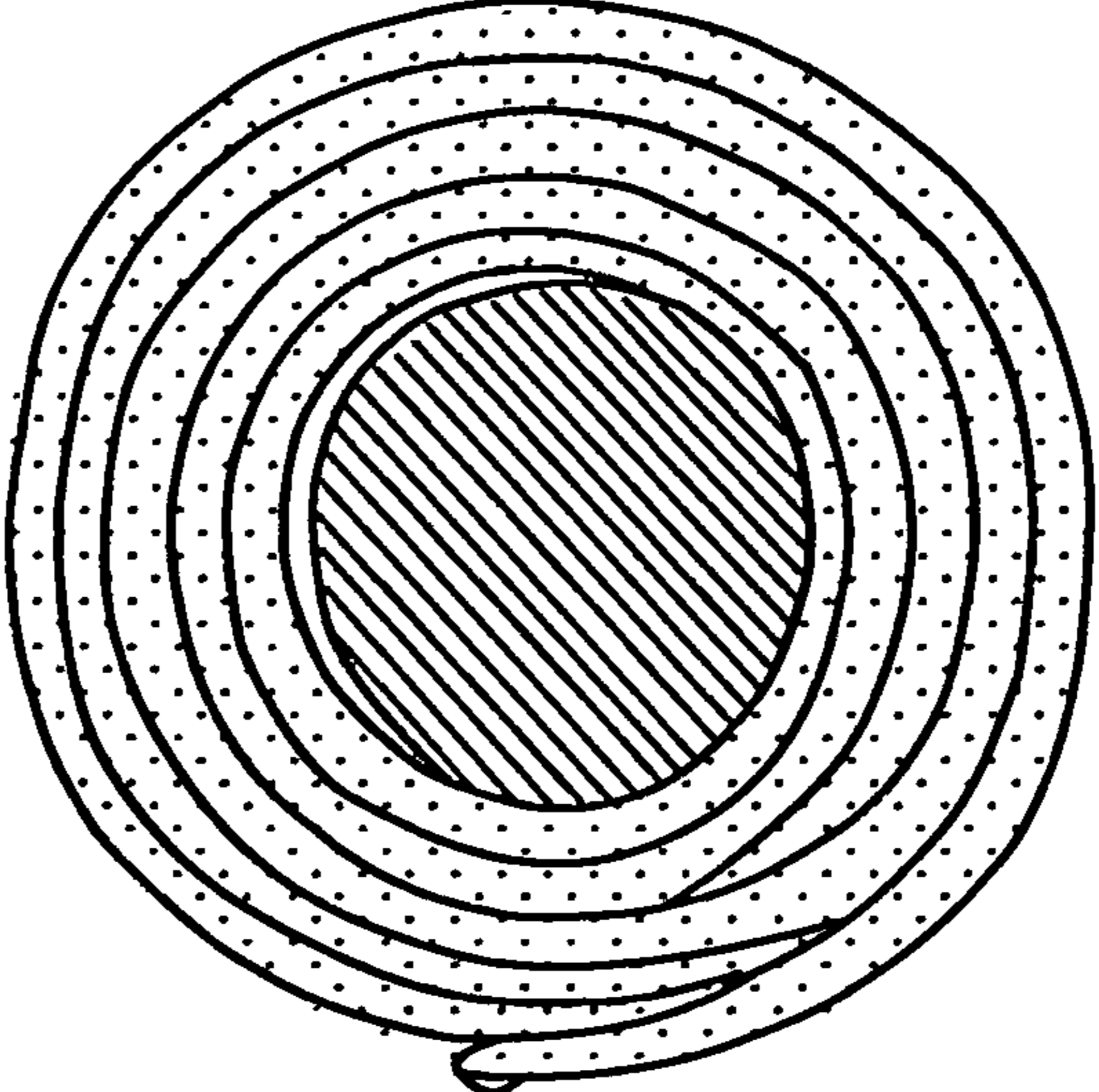


FIG. 3



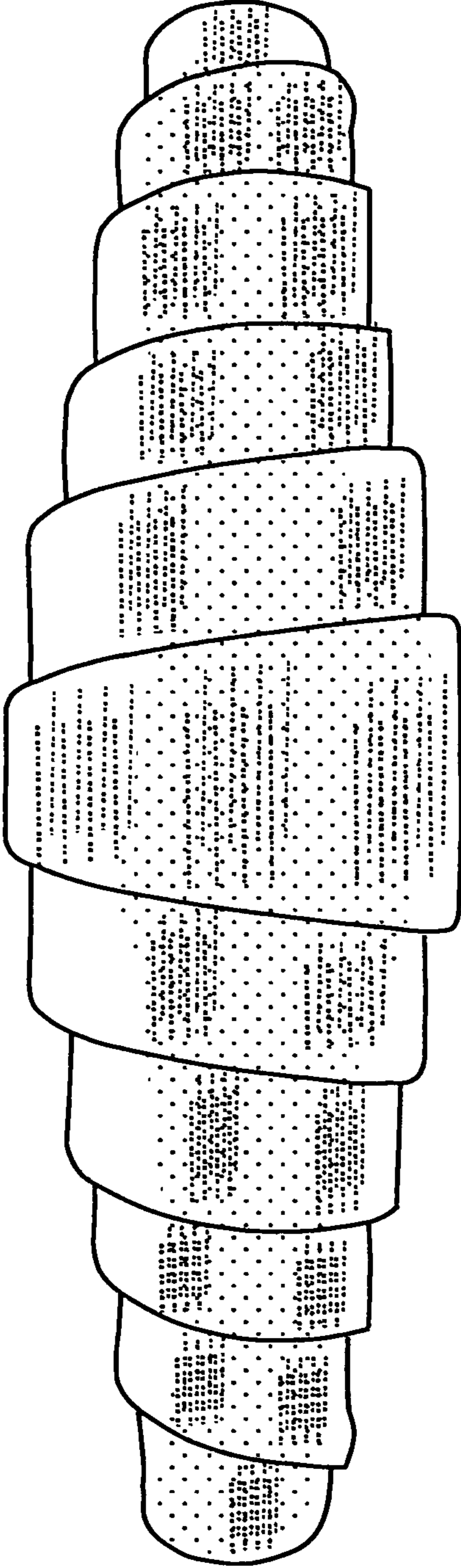


FIG. 5

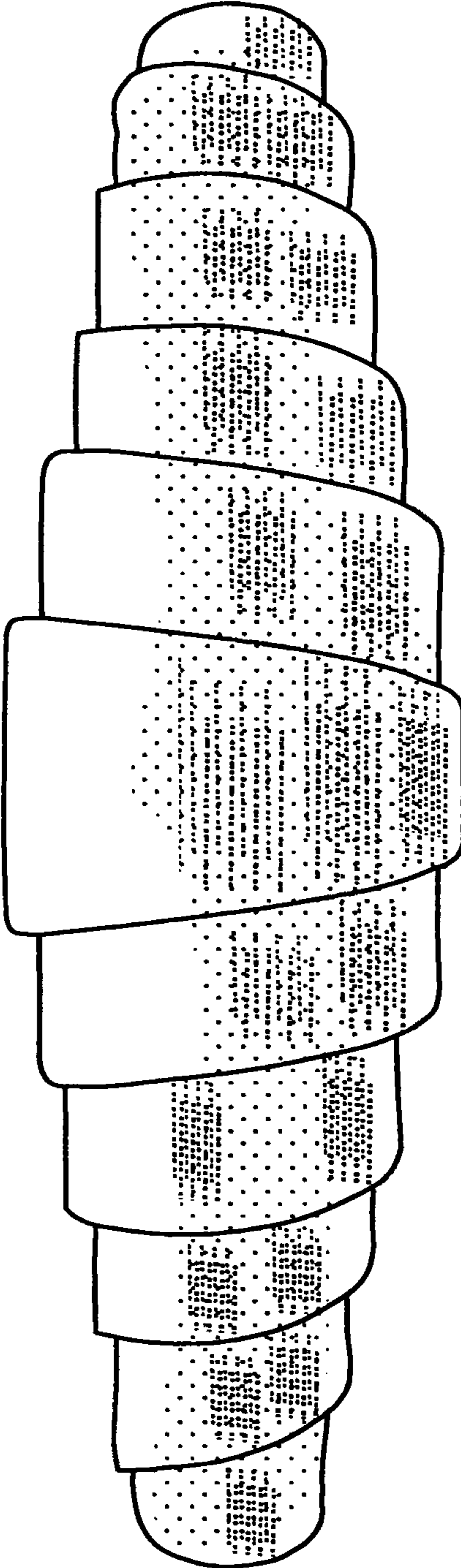
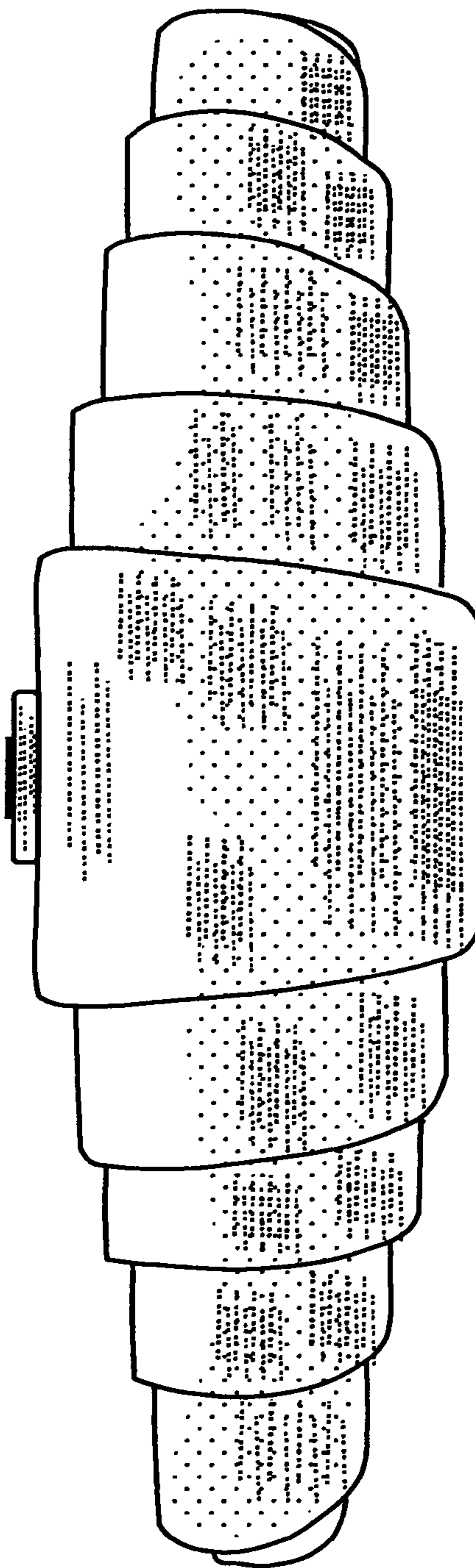


FIG. 6

FIG. 7



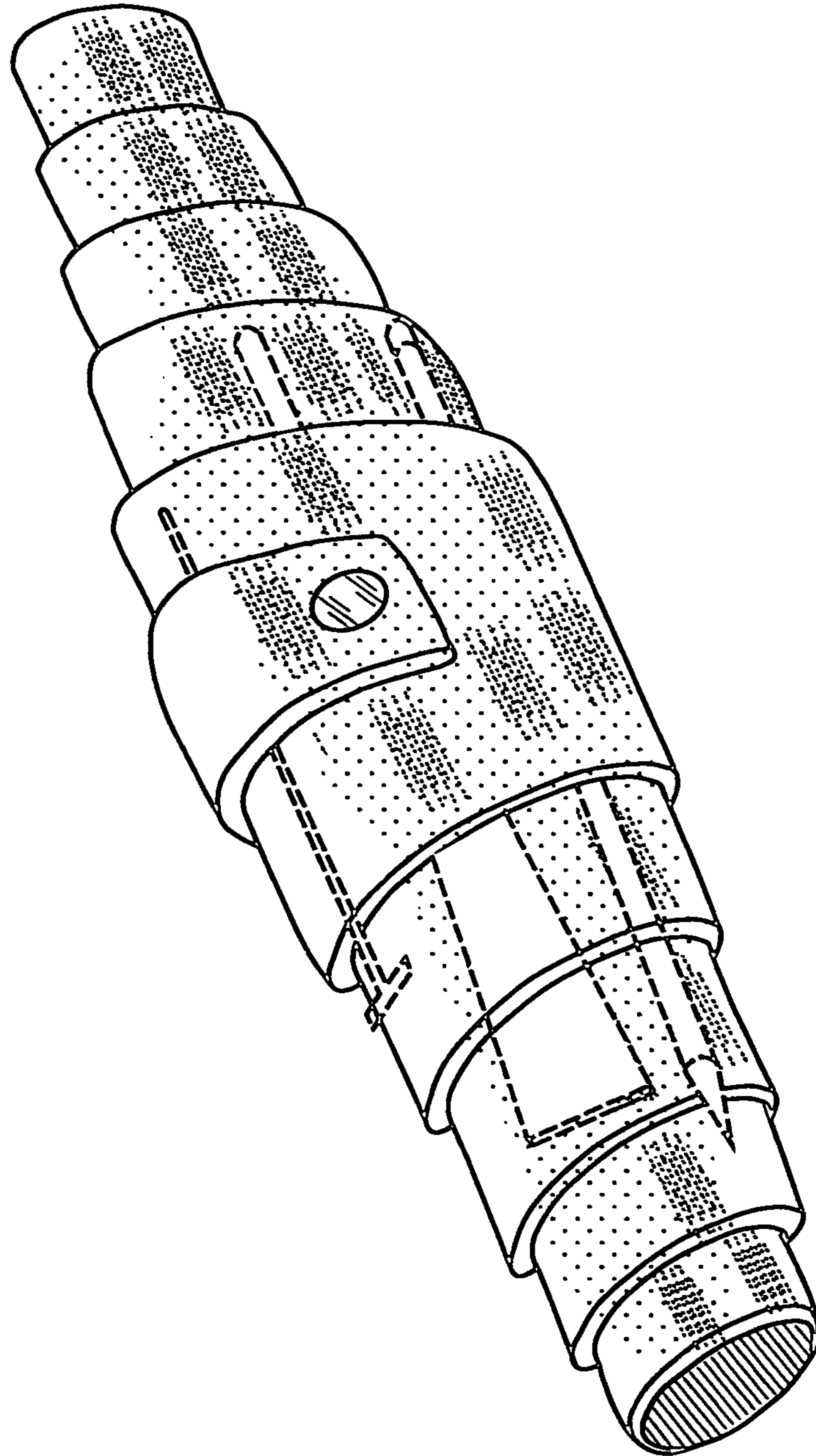


FIG. 8