



US00D708848S

(12) **United States Design Patent**
Zwetzig

(10) **Patent No.:** **US D708,848 S**
(45) **Date of Patent:** **** Jul. 15, 2014**

(54) **SHOULDER BAG**

(71) Applicant: **Thule Organization Solutions, Inc.**,
Longmont, CO (US)

(72) Inventor: **Nathan R. Zwetzig**, Westminster, CO
(US)

(73) Assignee: **Thule Organization Solutions, Inc.**,
Longmont, CO (US)

(**) Term: **14 Years**

(21) Appl. No.: **29/441,555**

(22) Filed: **Jan. 7, 2013**

(51) **LOC (10) Cl.** **03-01**

(52) **U.S. Cl.**
USPC **D3/246**

(58) **Field of Classification Search**
USPC D3/232-233, 240-243, 245-246;
150/100, 103-110, 113-114, 117-119

See application file for complete search history.

(56) **References Cited**

U.S. PATENT DOCUMENTS

D488,926 S *	4/2004	Domotor	D3/246
D510,660 S *	10/2005	Suppancig	D3/246
D560,069 S *	1/2008	Greiner	D3/246

* cited by examiner

Primary Examiner — Holly Baynham

(74) *Attorney, Agent, or Firm* — Sheridan Ross P.C.

(57) **CLAIM**

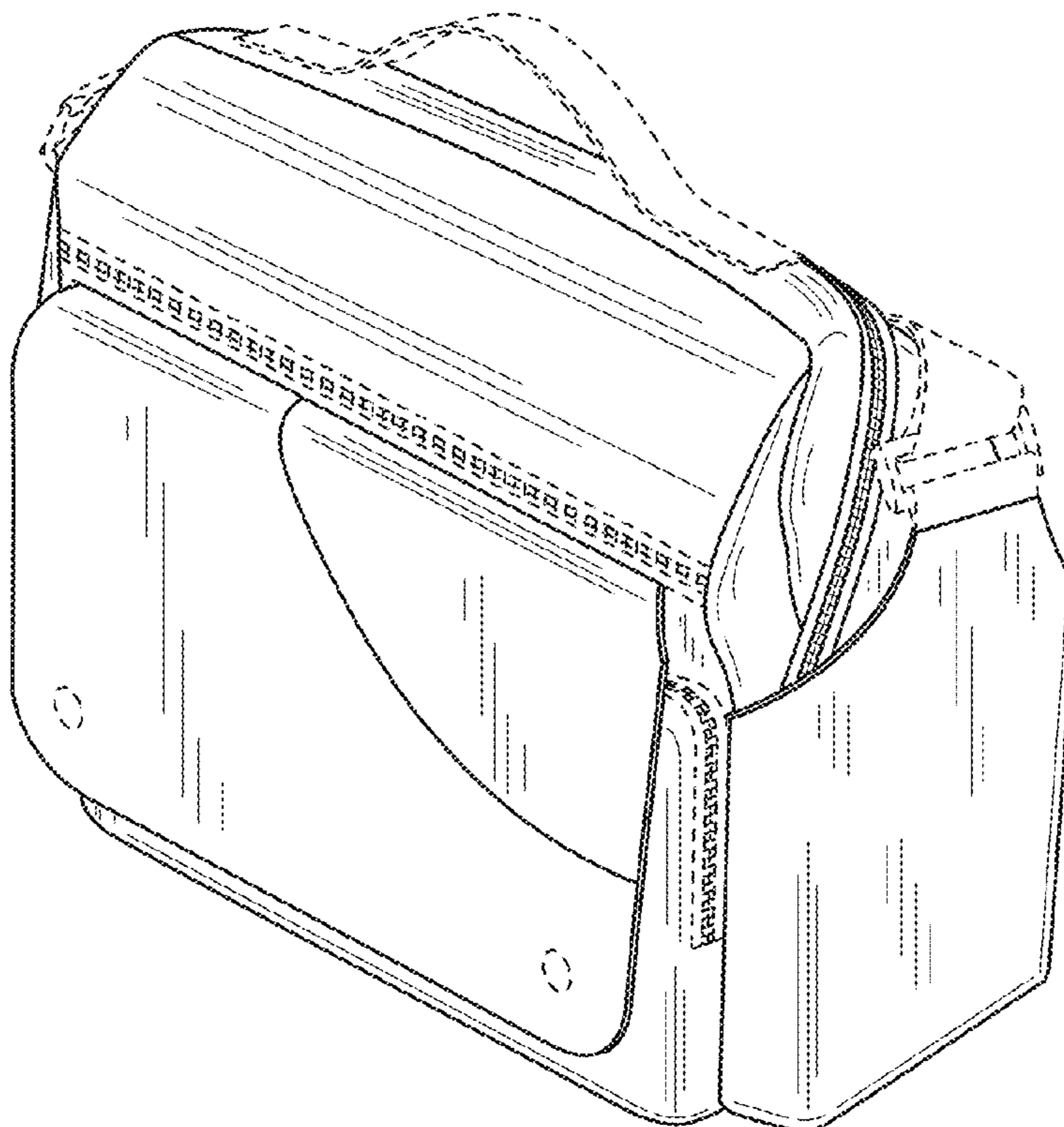
The ornamental design for a shoulder bag, as shown and described.

DESCRIPTION

FIG. 1 is a front perspective view of the shoulder bag;
FIG. 2 is a front elevation view thereof;
FIG. 3 is a right side view thereof;
FIG. 4 is a left elevation view thereof;
FIG. 5 is a rear elevation view thereof;
FIG. 6 is a top plan view thereof; and,
FIG. 7 is a bottom plan view thereof.

The broken lines are provided for the purpose of illustrating environment and form no part of the claimed design.

1 Claim, 4 Drawing Sheets



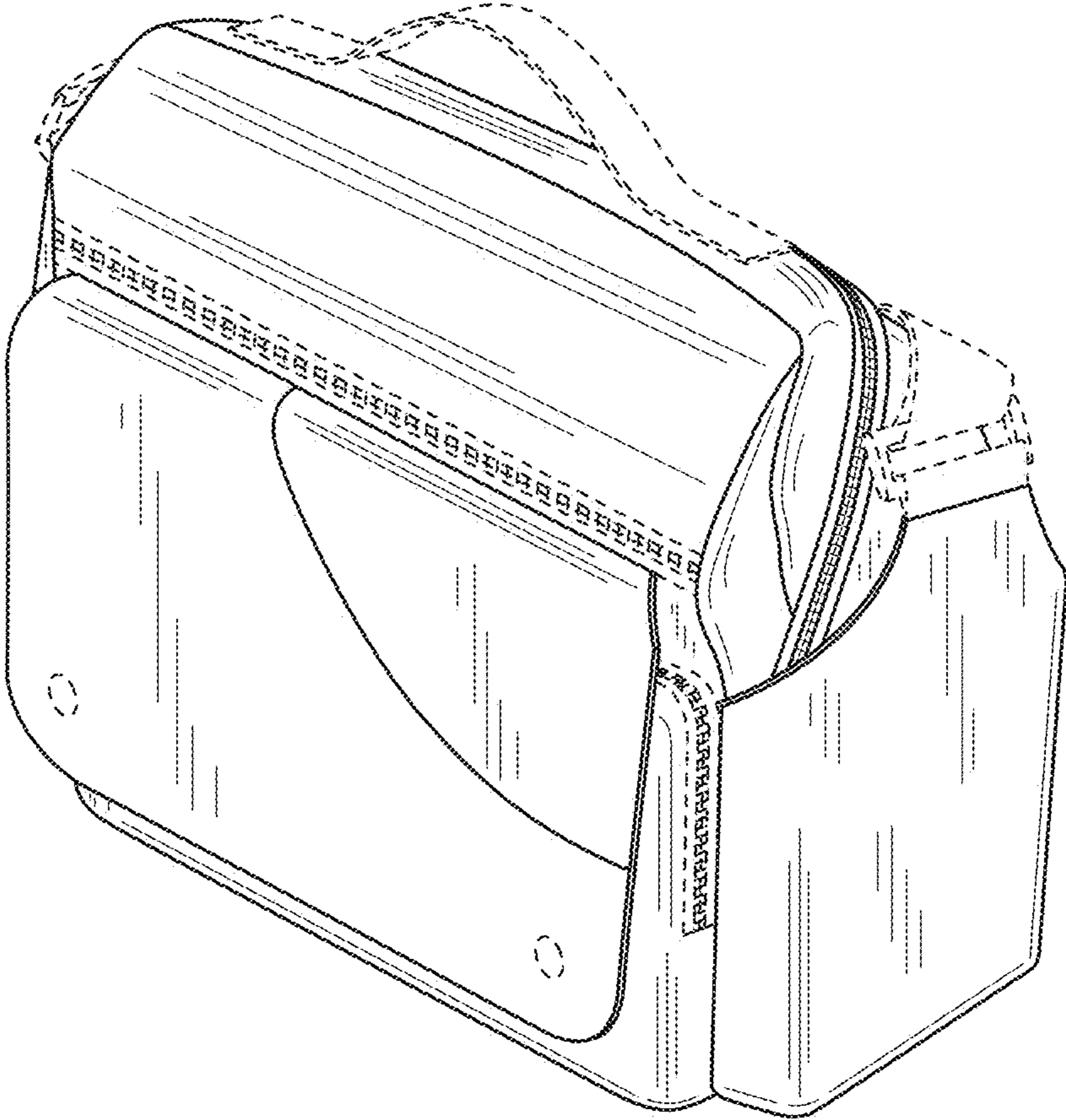


FIG. 1

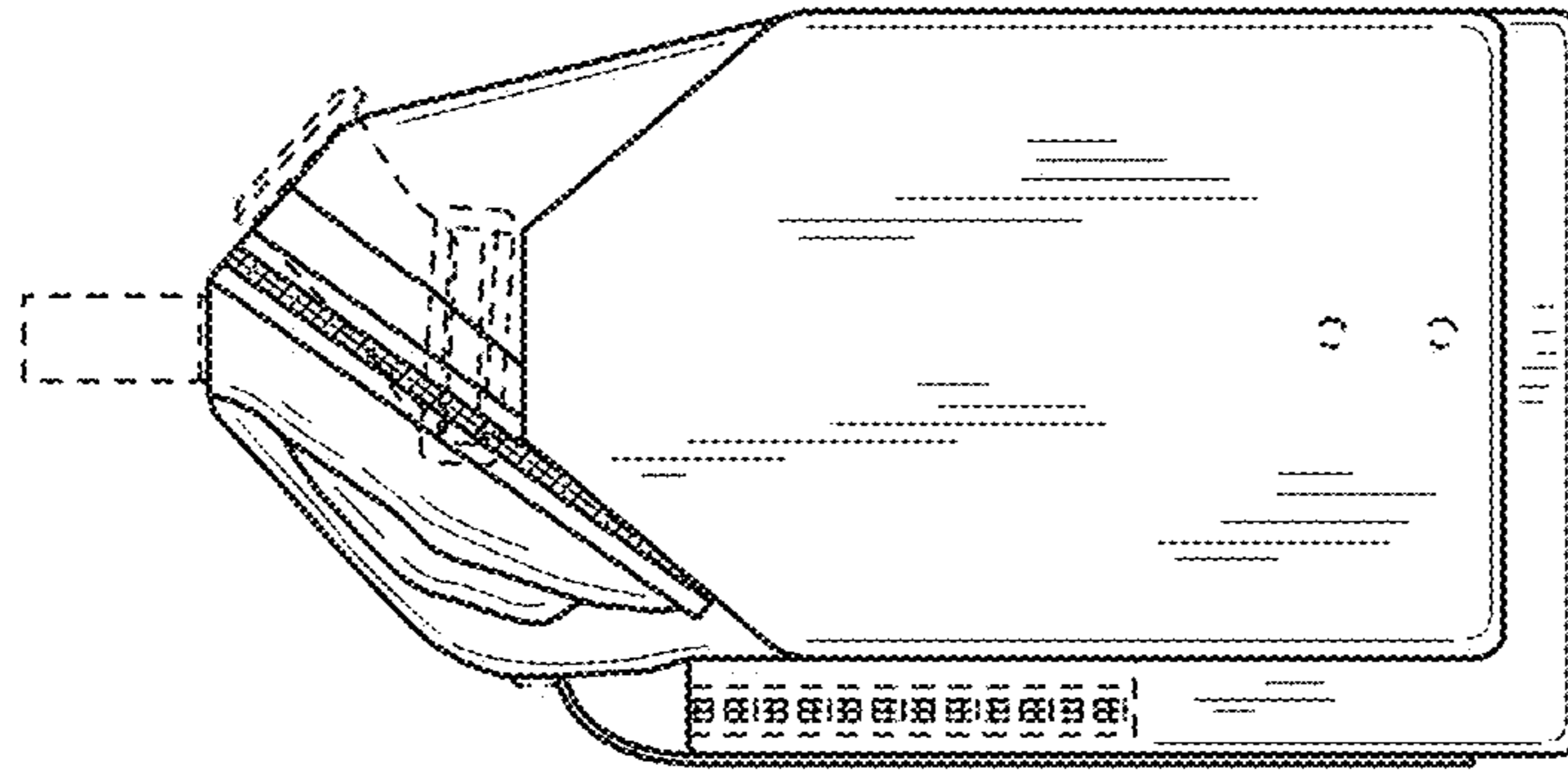


FIG. 2

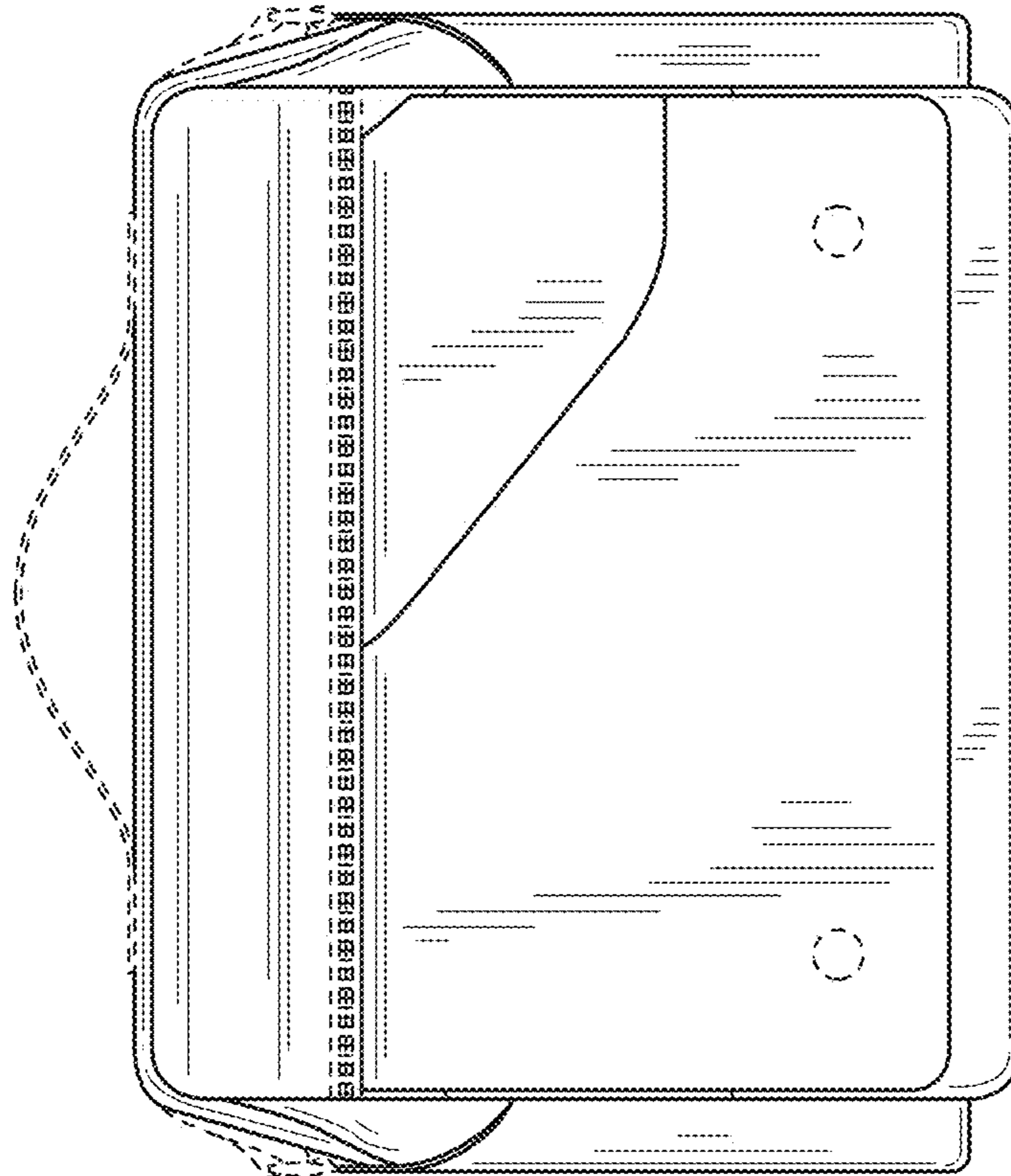


FIG. 3

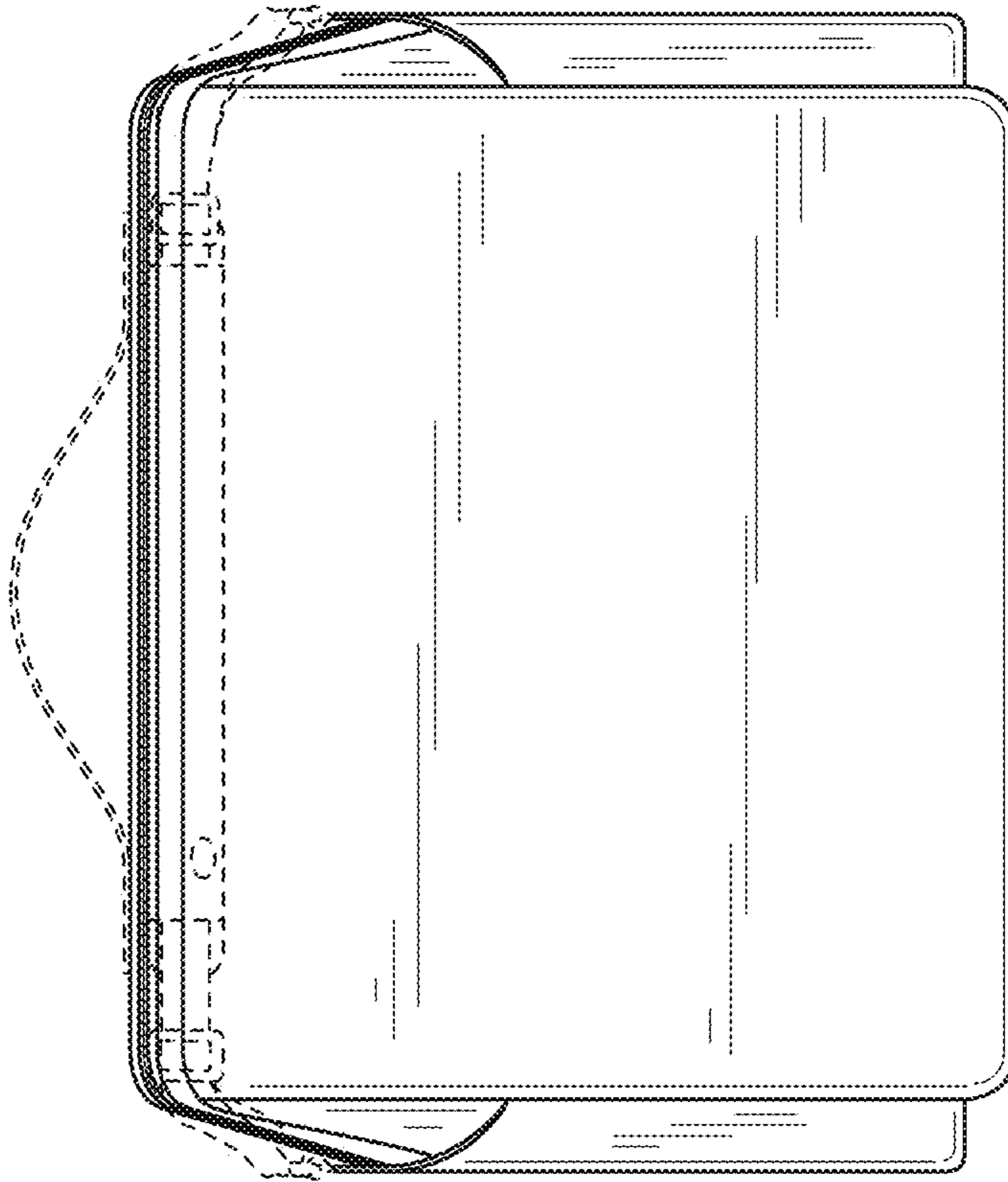


FIG.5

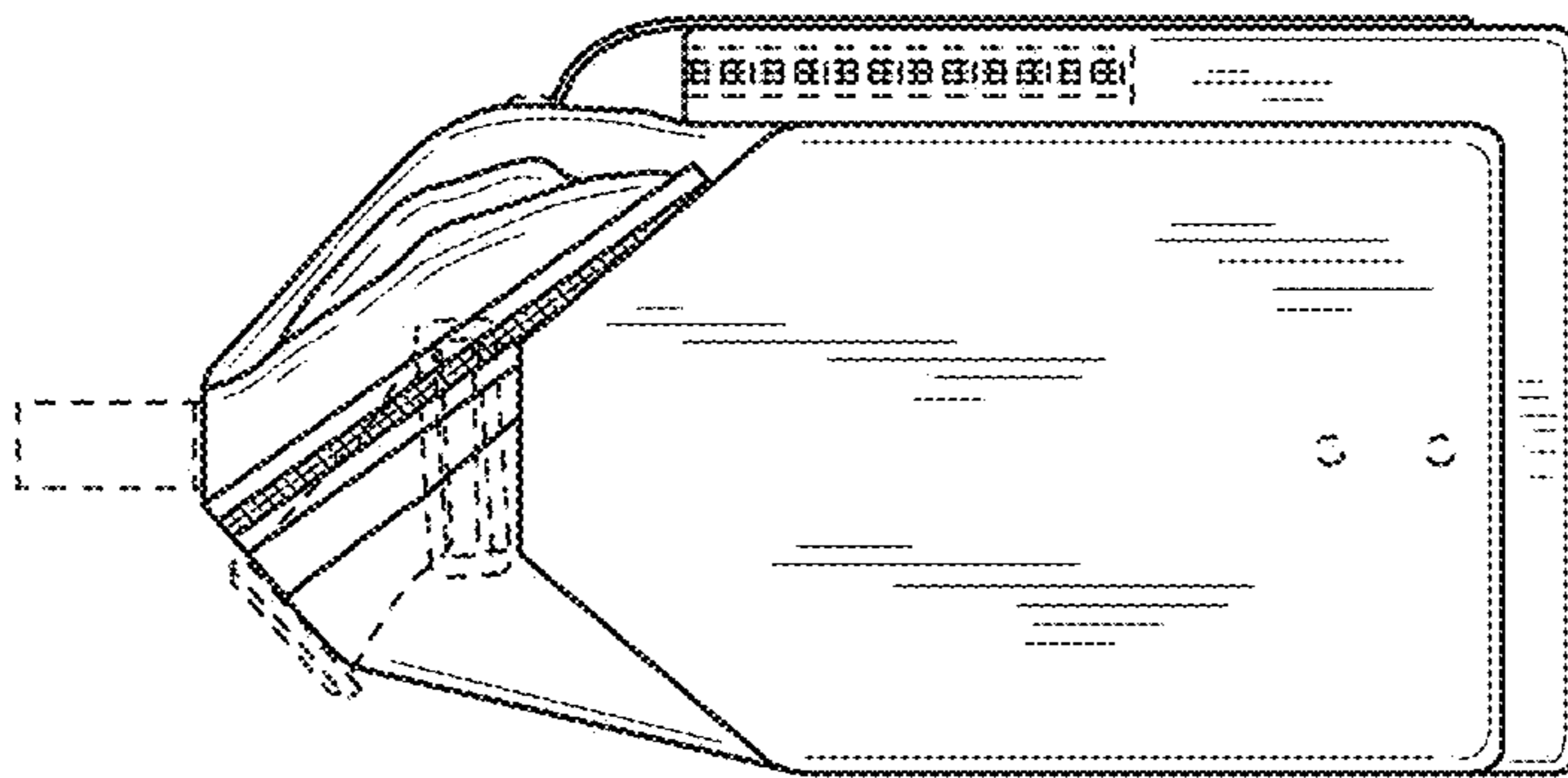


FIG.4

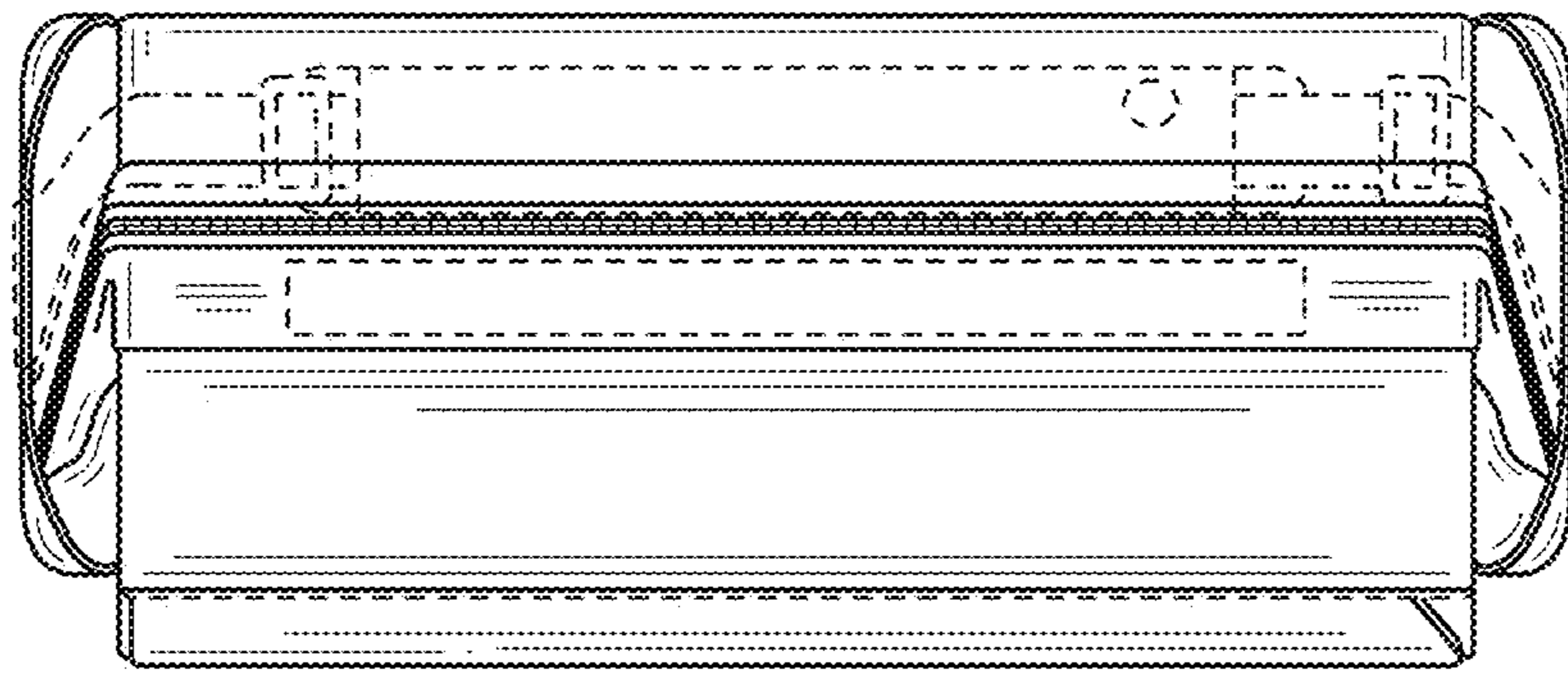


FIG. 6

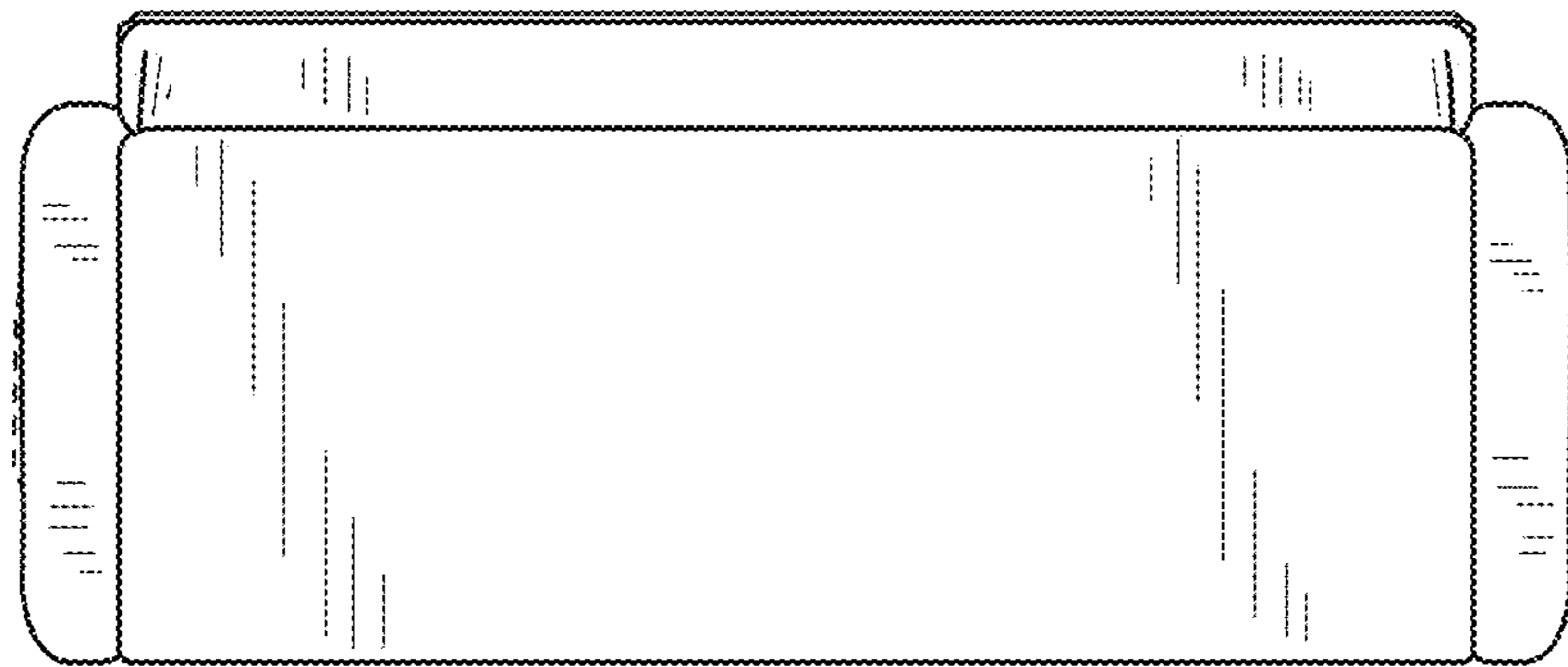


FIG. 7