



US00D708845S

(12) **United States Design Patent**
Taylor

(10) **Patent No.:** **US D708,845 S**
(45) **Date of Patent:** **** Jul. 15, 2014**

- (54) **BACKPACK**
- (75) Inventor: **Rebecca Taylor**, Longmont, CO (US)
- (73) Assignee: **Thule Organization Solutions, Inc.**,
Longmont, CO (US)
- (**) Term: **14 Years**
- (21) Appl. No.: **29/432,002**
- (22) Filed: **Sep. 12, 2012**
- (51) **LOC (10) Cl.** **03-01**
- (52) **U.S. Cl.**
USPC **D3/216; D3/217**
- (58) **Field of Classification Search**
USPC D3/201, 213, 214, 215, 216, 217, 218,
D3/231, 232, 267, 273, 289, 290; 224/153,
224/155, 575, 578, 579, 581, 586, 613, 617,
224/627, 637, 644, 645, 650, 653, 657;
5/413 R; 441/80
See application file for complete search history.

(56) **References Cited**

U.S. PATENT DOCUMENTS

D197,546 S *	2/1964	Motokane	D3/267
4,018,369 A	4/1977	Jaeger		
D249,189 S *	8/1978	Stewart	D3/217
4,318,502 A *	3/1982	Lowe et al.	224/153
4,368,835 A	1/1983	Murphy		
4,420,103 A	12/1983	Douglass		
6,164,509 A *	12/2000	Gausling et al.	224/627
D441,186 S	5/2001	Daboudet		
6,243,892 B1 *	6/2001	Kelling	5/413 R
D511,620 S *	11/2005	Van Himbeeck	D3/217
D550,448 S	9/2007	Boje et al.		

(Continued)

OTHER PUBLICATIONS

U.S. Appl. No. 29/432,004, filed Sep. 12, 2012, Taylor.

(Continued)

Primary Examiner — Caron D Veynar
Assistant Examiner — Martie K Holtje
(74) *Attorney, Agent, or Firm* — Sheridan Ross P.C.

(57) **CLAIM**

The ornamental design for a backpack, as shown and described.

DESCRIPTION

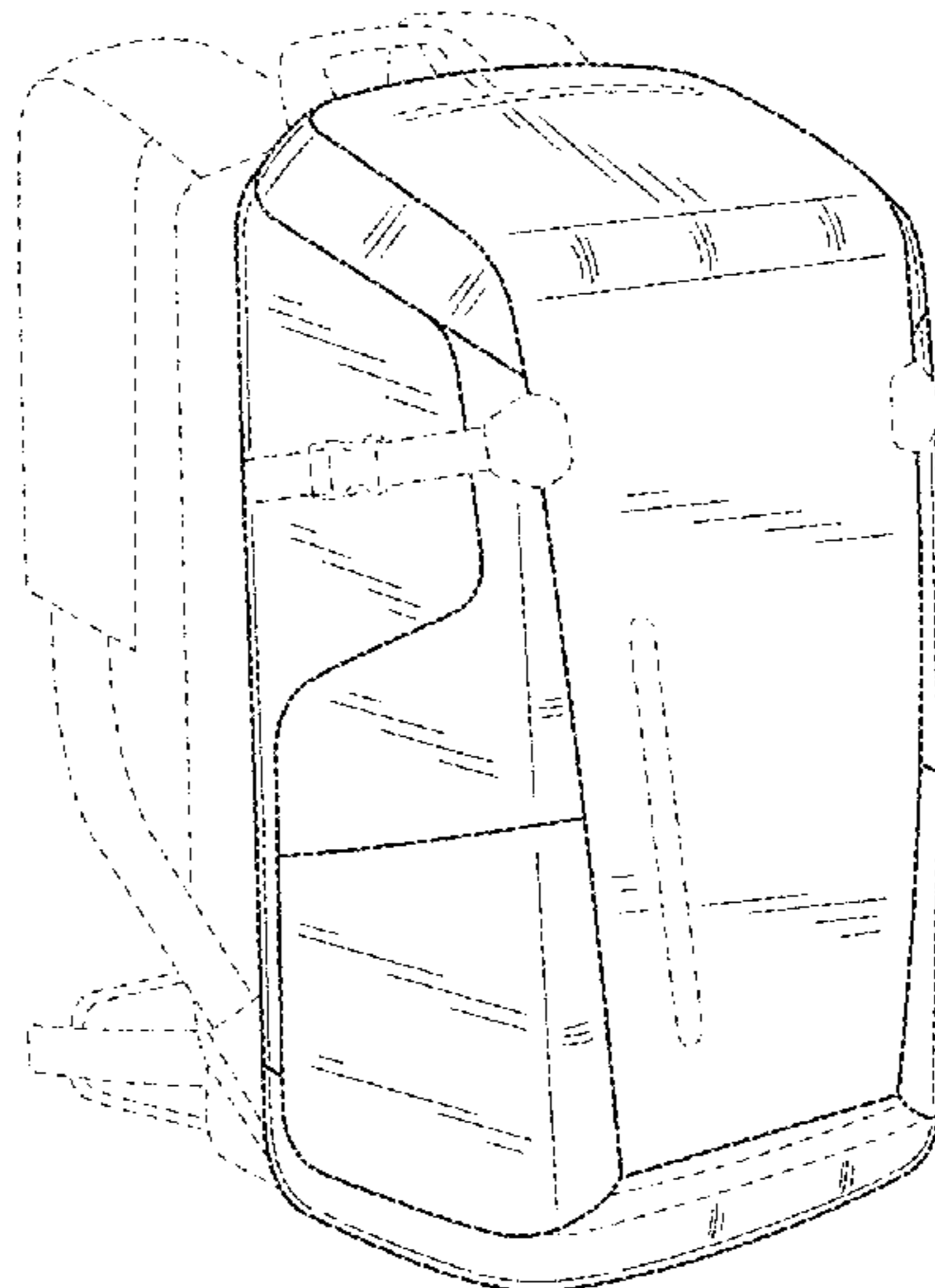
FIG. 1 is a front perspective view of a backpack showing my new design according to a first embodiment;
FIG. 2 is a front elevational view of FIG. 1;
FIG. 3 is a rear elevational view of FIG. 1;
FIG. 4 is a left side elevational view of FIG. 1;
FIG. 5 is a right side elevational view of FIG. 1;
FIG. 6 is a top plan view of FIG. 1;
FIG. 7 is a front perspective view of a backpack showing my new design according to a second embodiment;
FIG. 8 is a front elevational view of FIG. 7;
FIG. 9 is a rear elevational view of FIG. 7;
FIG. 10 is a right side elevational view of FIG. 7;
FIG. 11 is a left side elevational view of FIG. 7;
FIG. 12 is a top plan view of FIG. 7;
FIG. 13 is a right side elevational view of FIG. 7 with the flap shown in an opened position; and,
FIG. 14 is a left side elevational view of FIG. 7 with the flap shown in an opened position.

The broken lines depicting structural features in the views have been shown for the purpose of illustrating portions of the backpack that form no part of the claimed design.

The broken lines depicting elements within the open pockets in FIGS. 13 and 14 have been shown for the purpose of illustrating environment that forms no part of the claimed design.

The bottom of the backpack, not shown, forms no part of the claimed design.

1 Claim, 9 Drawing Sheets



(56)

References Cited

U.S. PATENT DOCUMENTS

D604,503	S *	11/2009	Patadia et al.	D3/217
D641,973	S *	7/2011	Quehl	D3/217
7,971,764	B2 *	7/2011	Sabbah	224/650
D642,791	S *	8/2011	Quehl	D3/217
8,123,581	B2 *	2/2012	Aschauer	441/80
8,157,138	B2 *	4/2012	Leyendecker	224/637
2008/0029562	A1 *	2/2008	Hawkins et al.	224/153

OTHER PUBLICATIONS

U.S. Appl. No. 29/432,006, filed Sep. 12, 2012, Taylor.
Official Action for U.S. Appl. No. 29/432,004 mailed Sep. 25, 2013,
8 pages.
U.S. Appl. No. 29/458,160, filed Jun. 17, 2013, Mather.
U.S. Appl. No. 29/458,162, filed Jun. 17, 2013, Mather.
U.S. Appl. No. 29/458,164, filed Jun. 17, 2013, Mather.

* cited by examiner

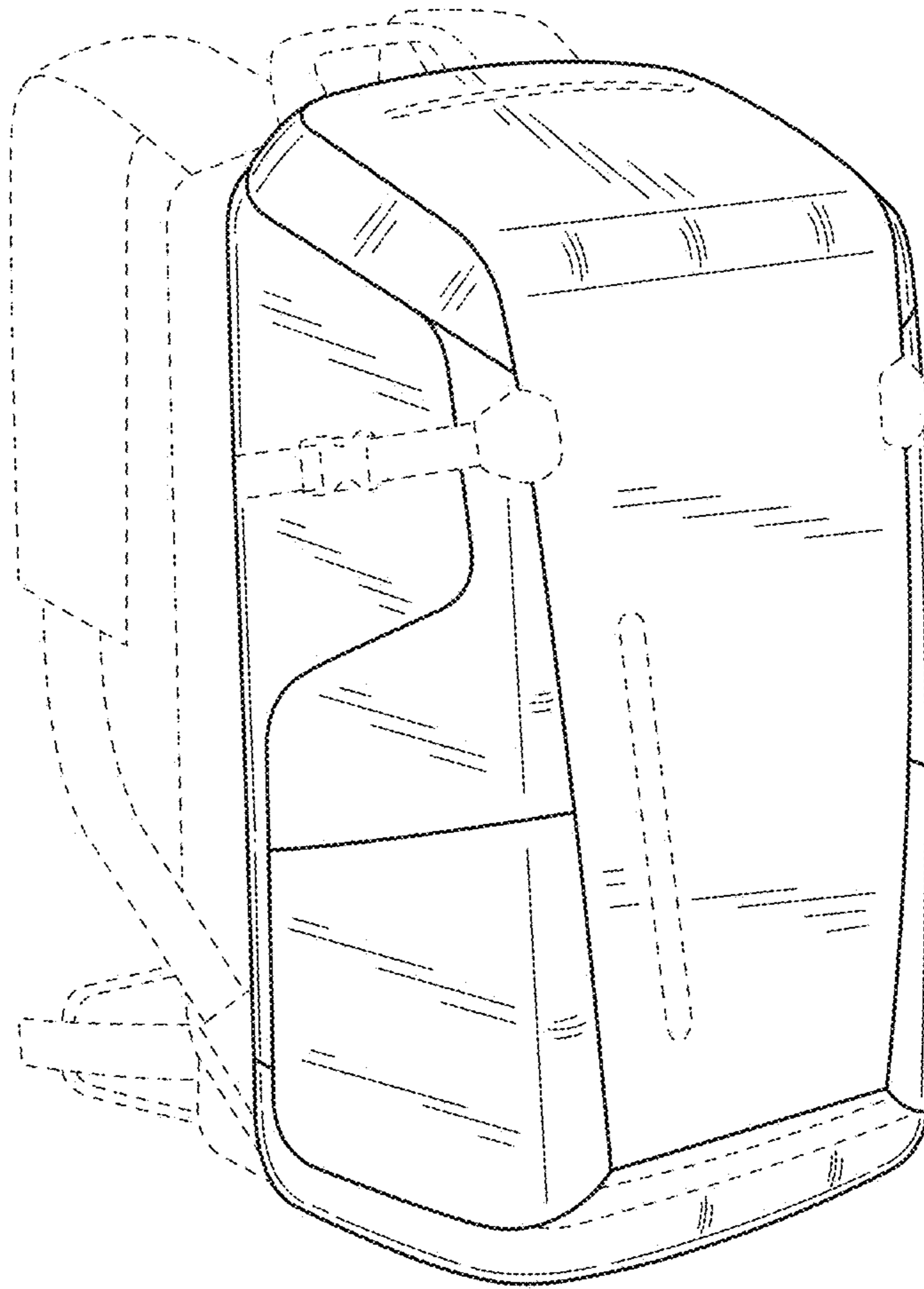


FIG.1

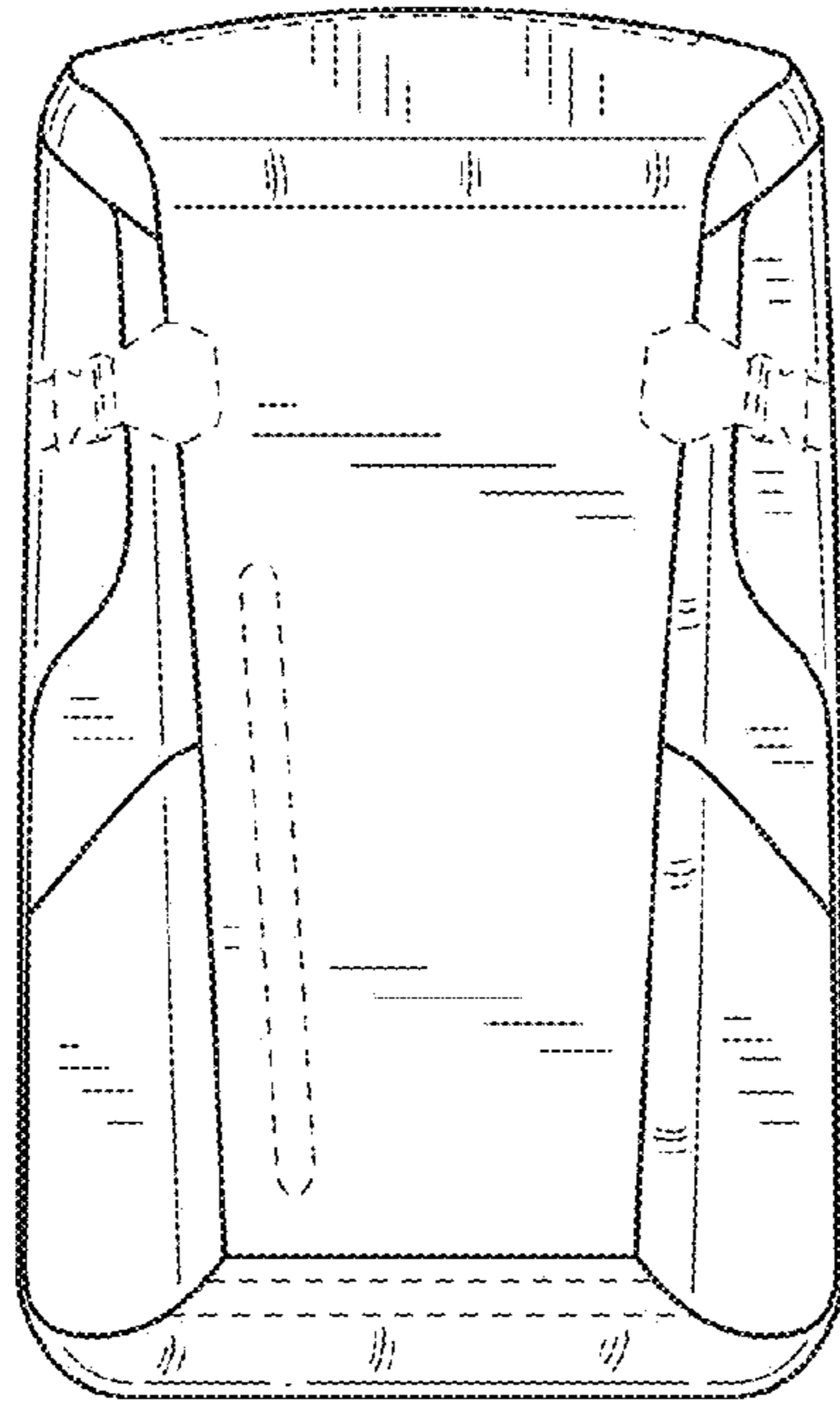


FIG. 2

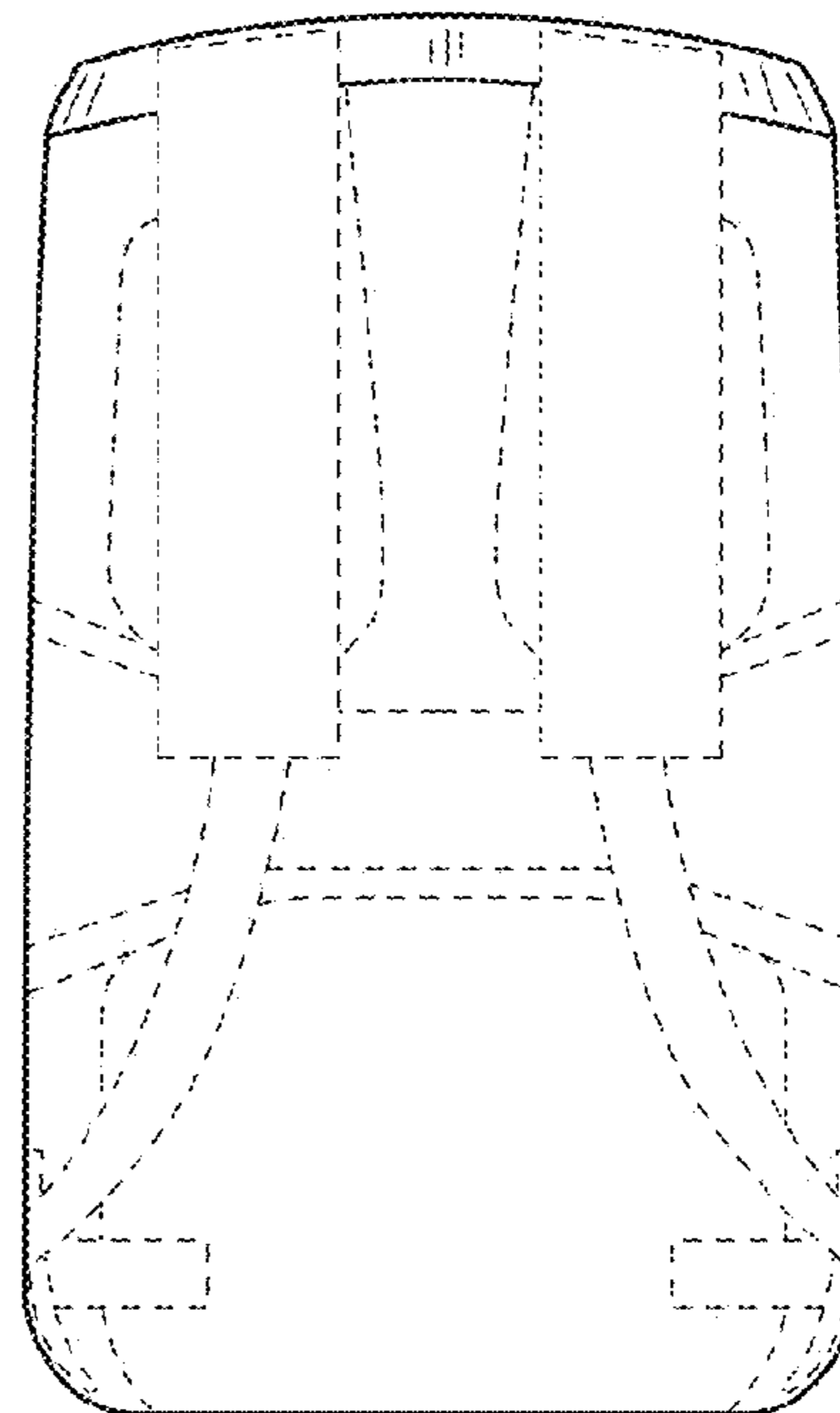


FIG. 3

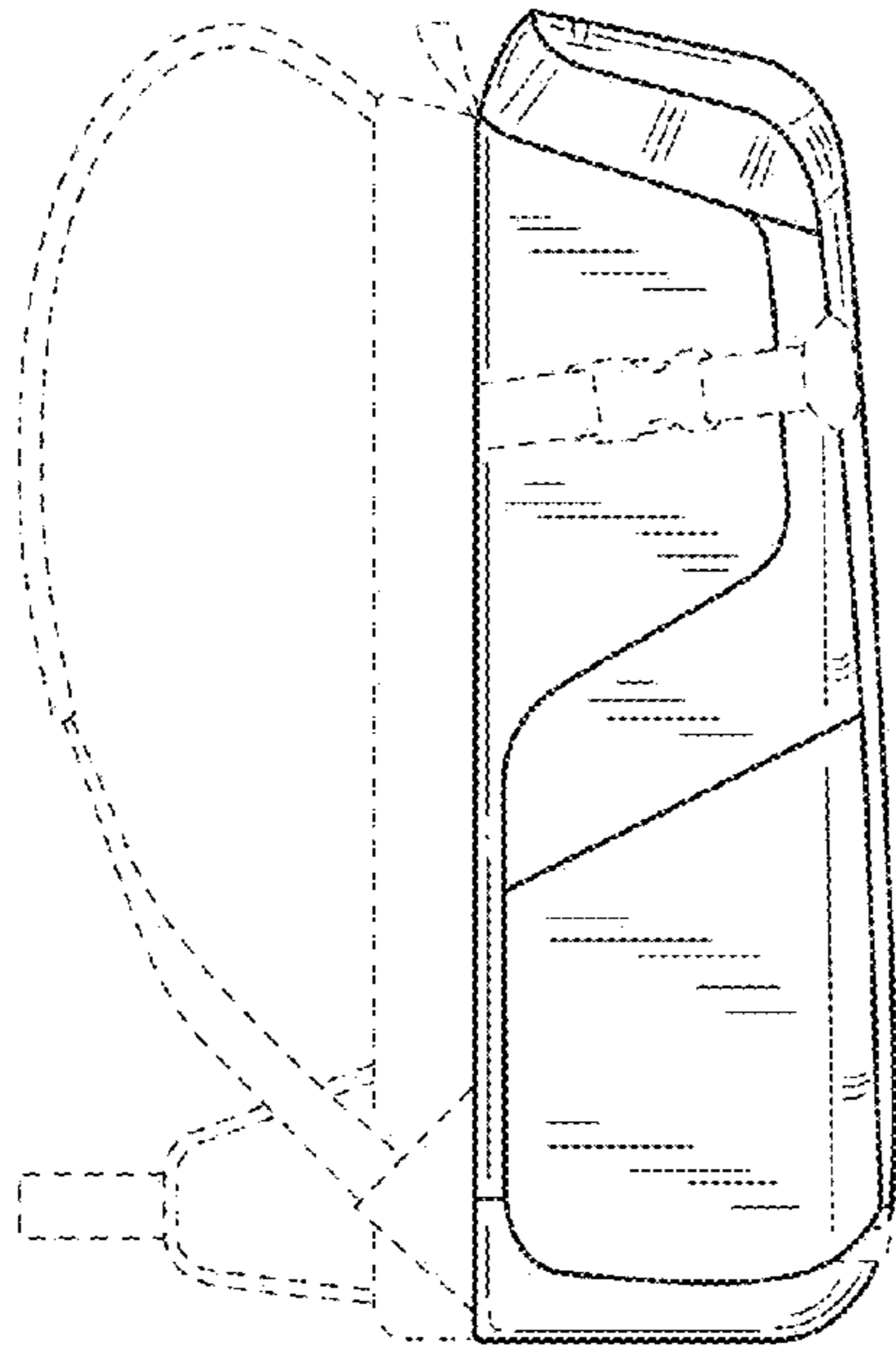


FIG. 4

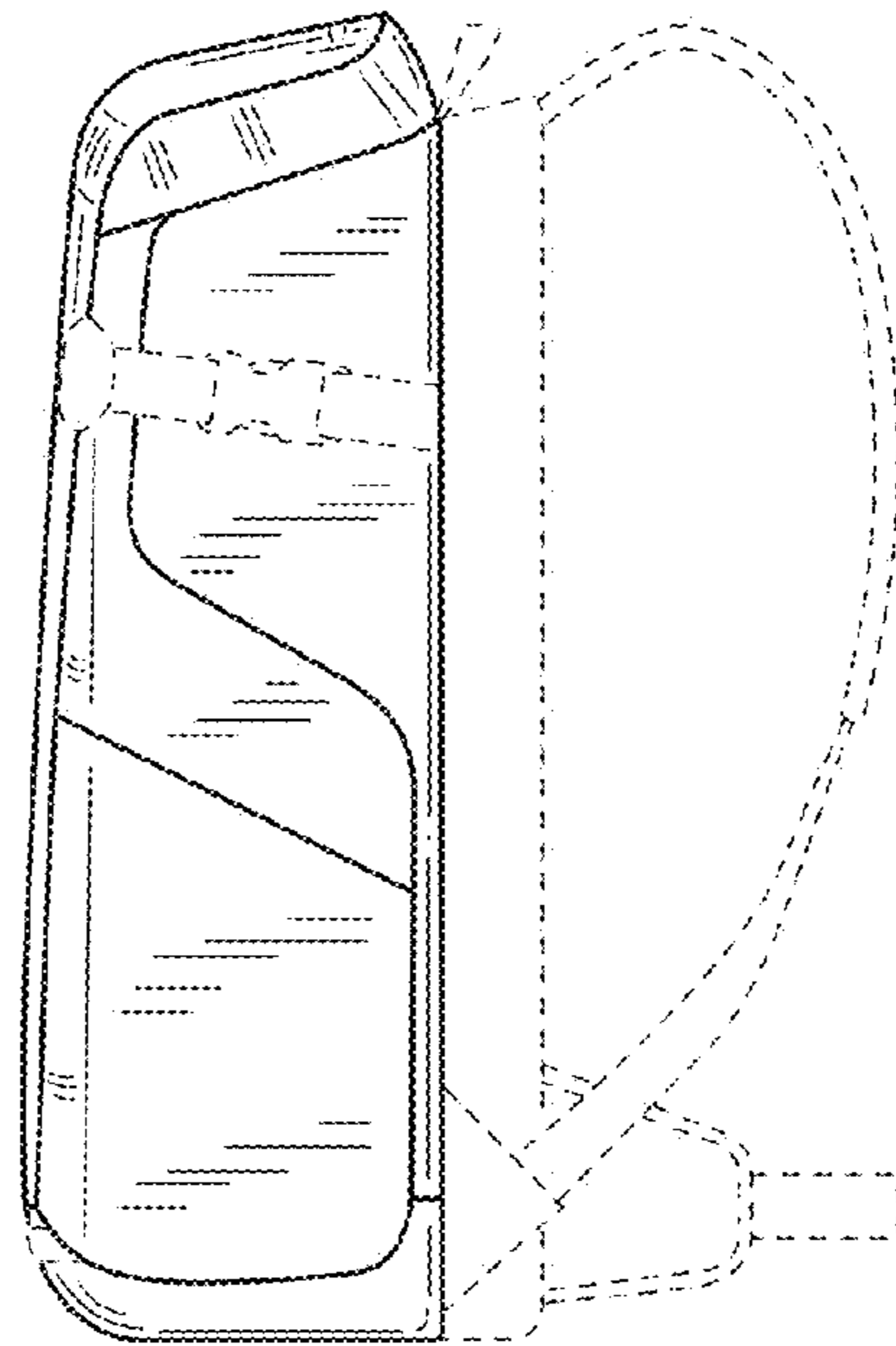


FIG. 5

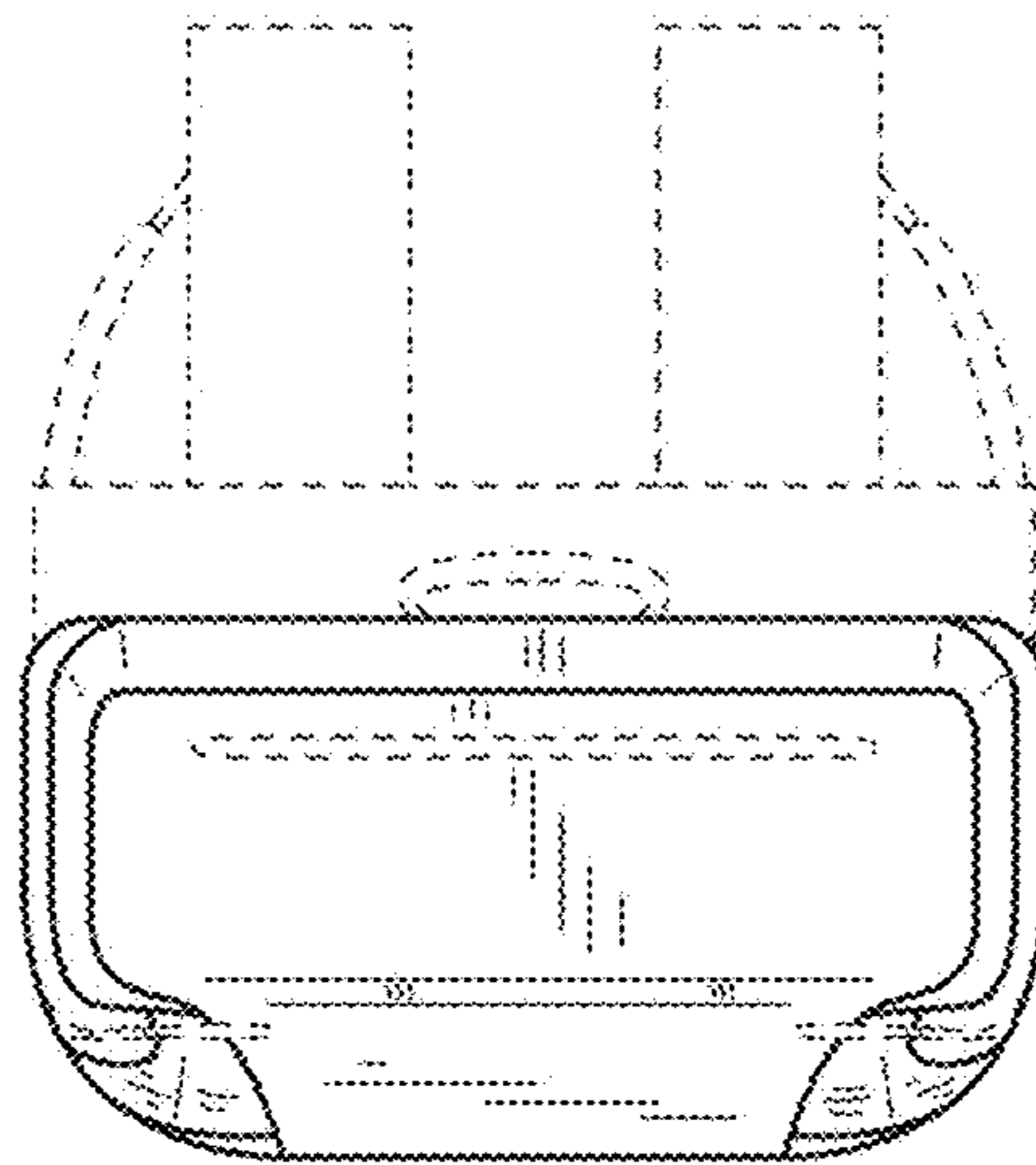


FIG. 6

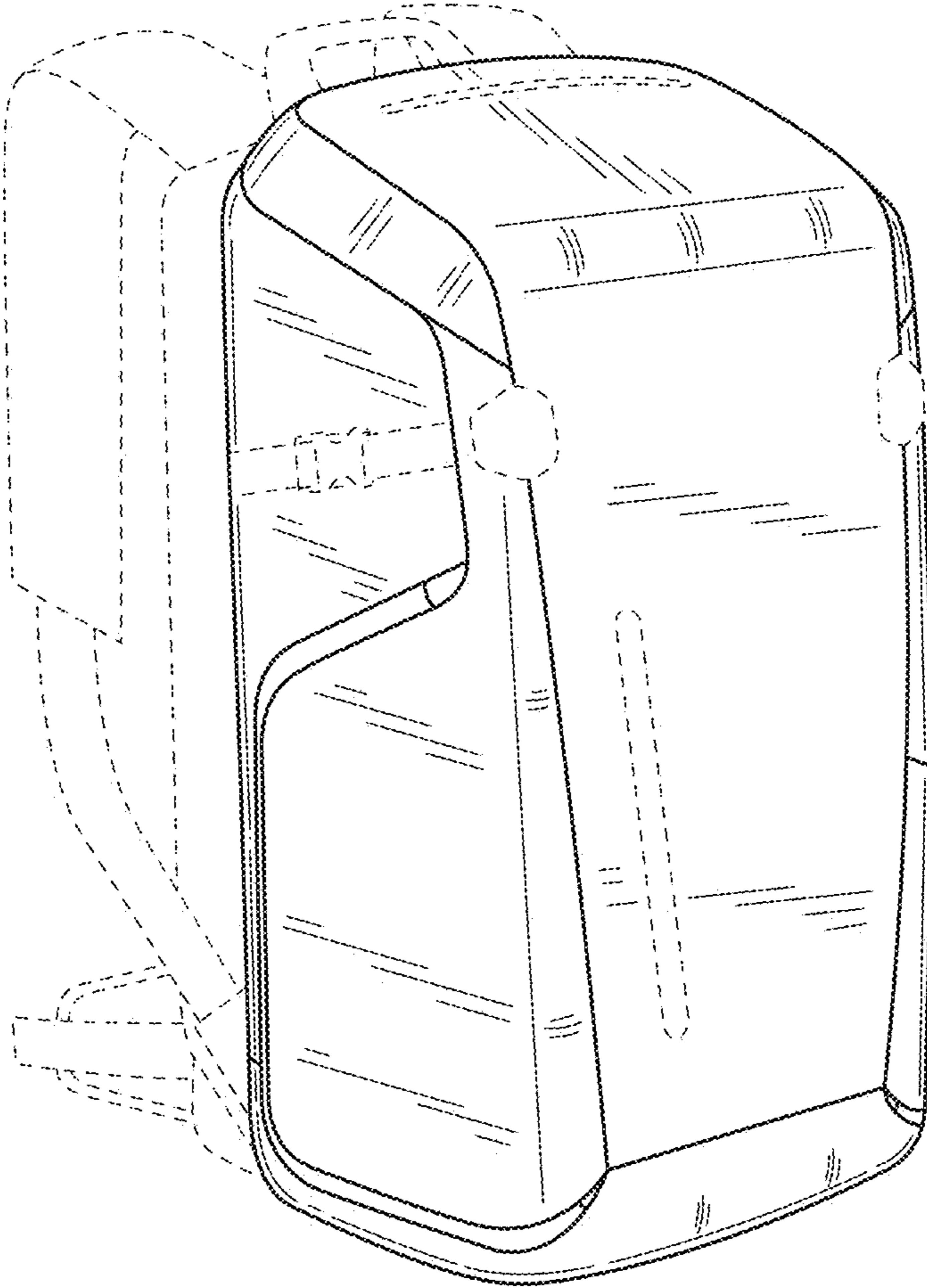


FIG.7

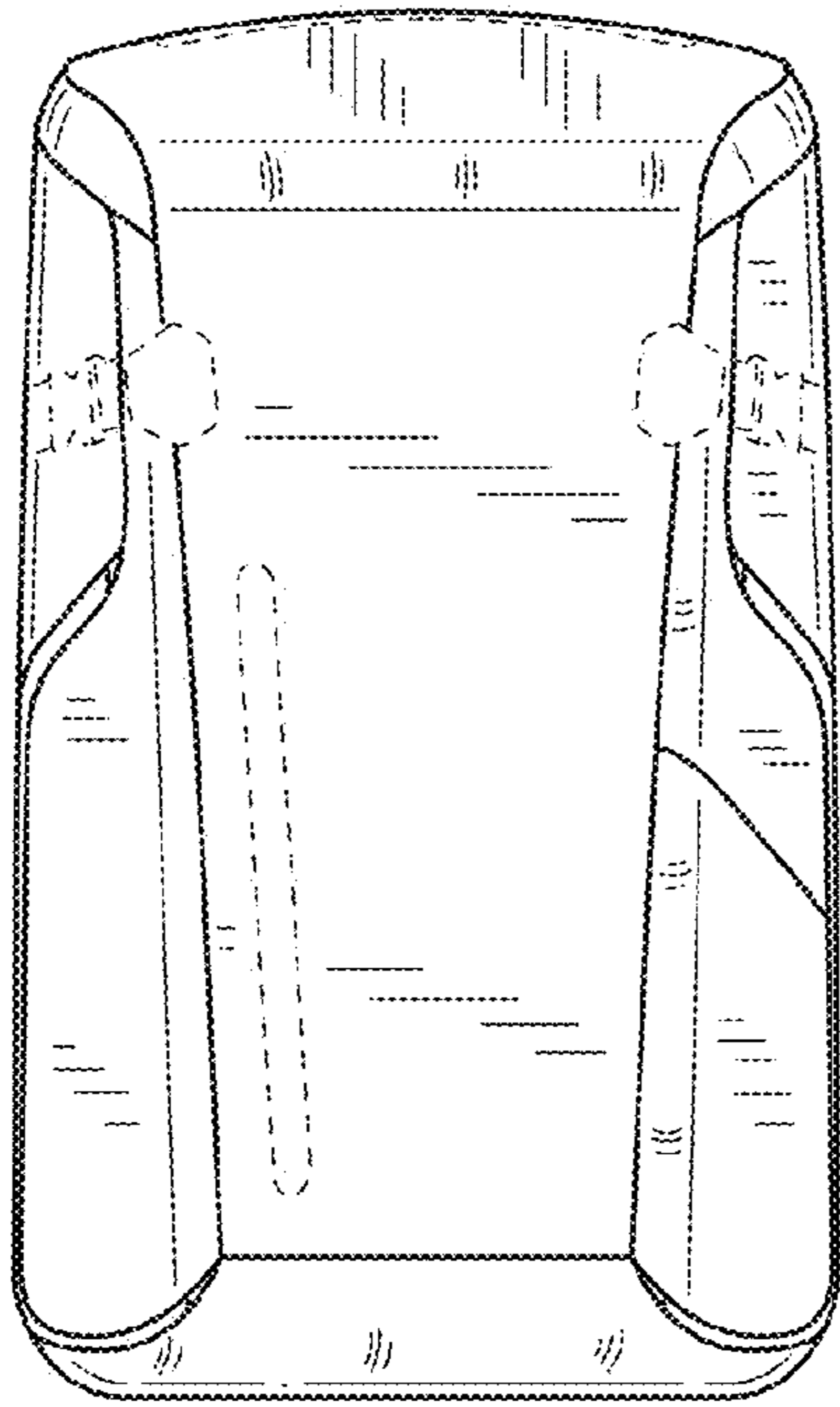


FIG. 8

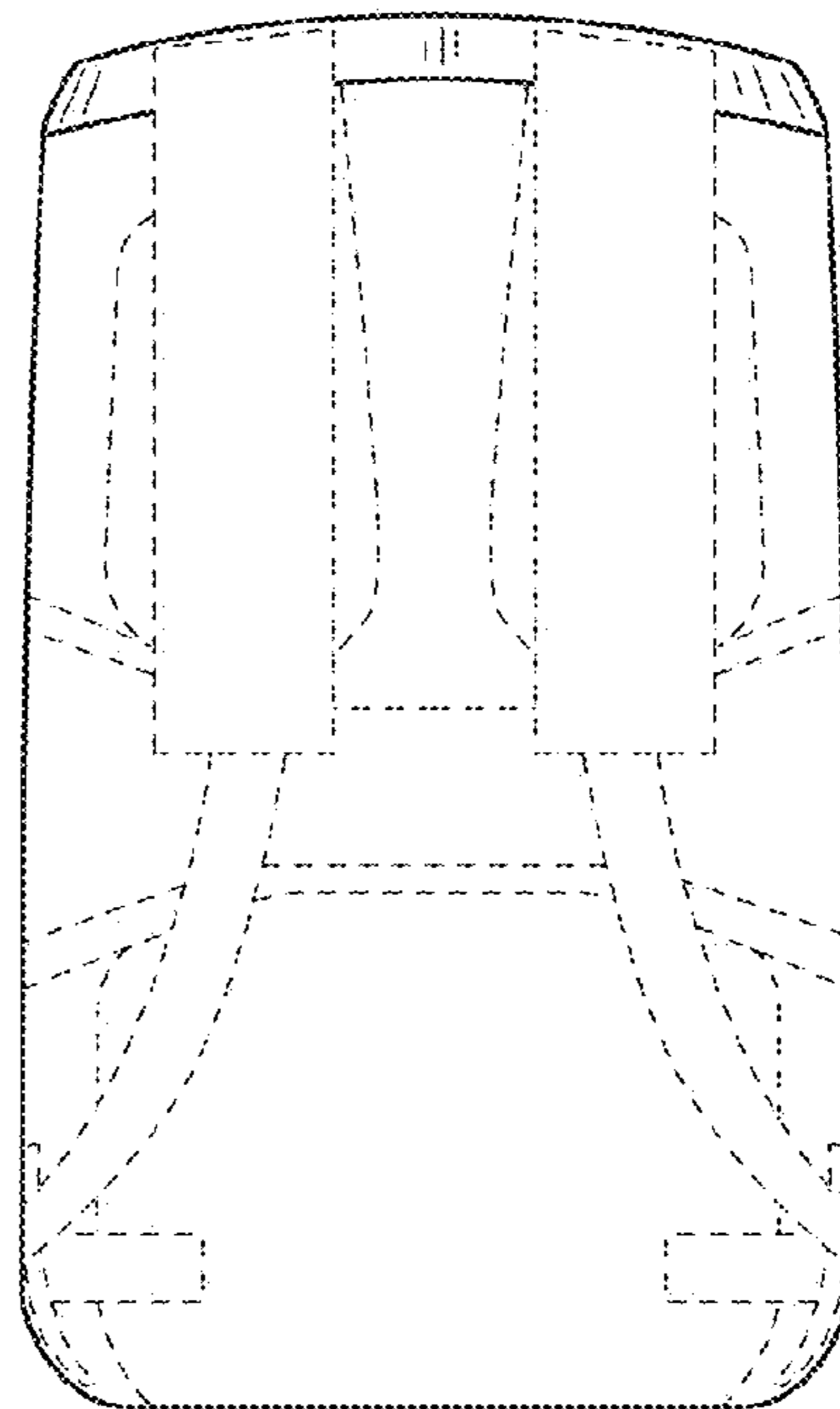


FIG. 9

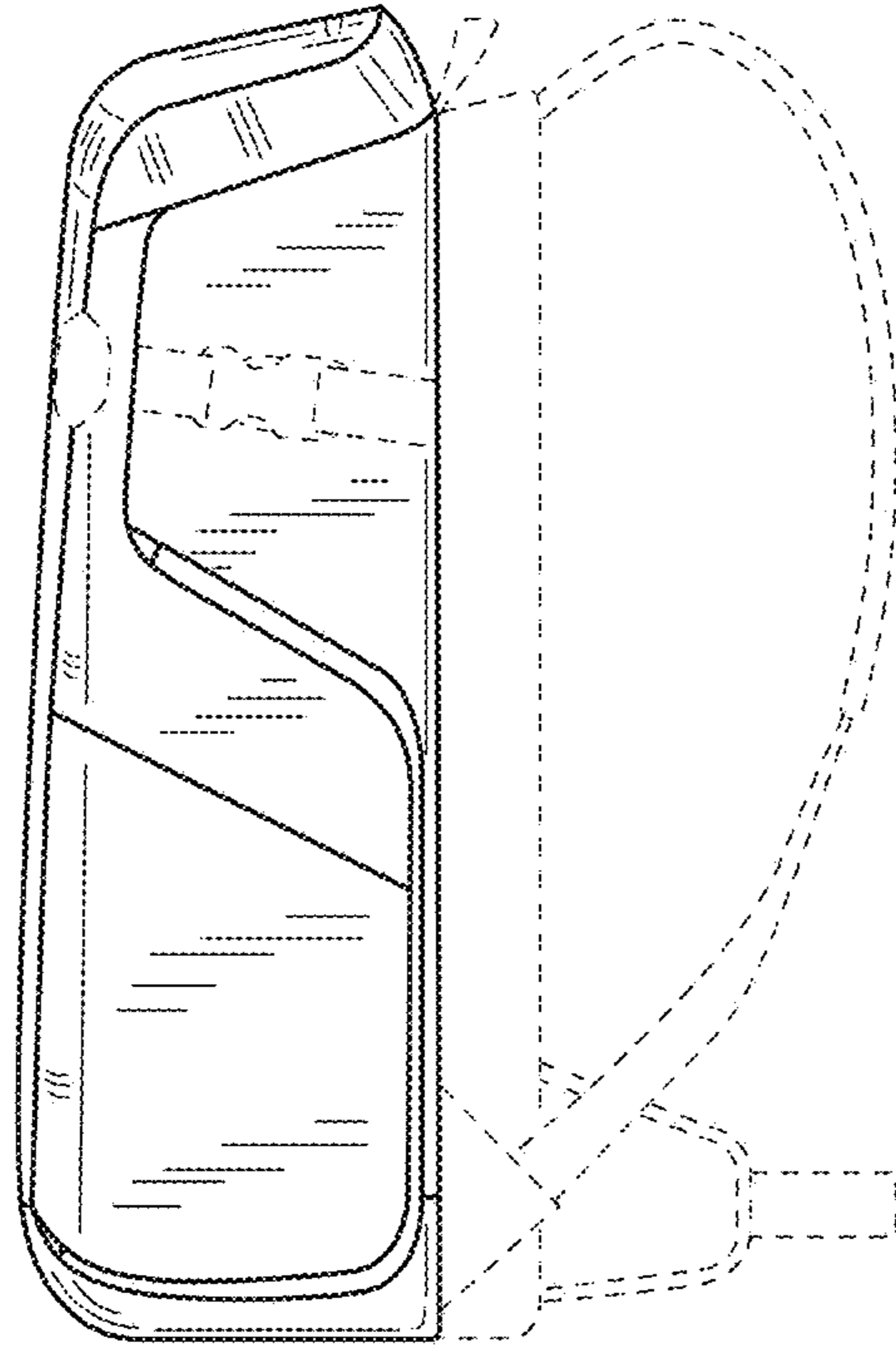


FIG. 10

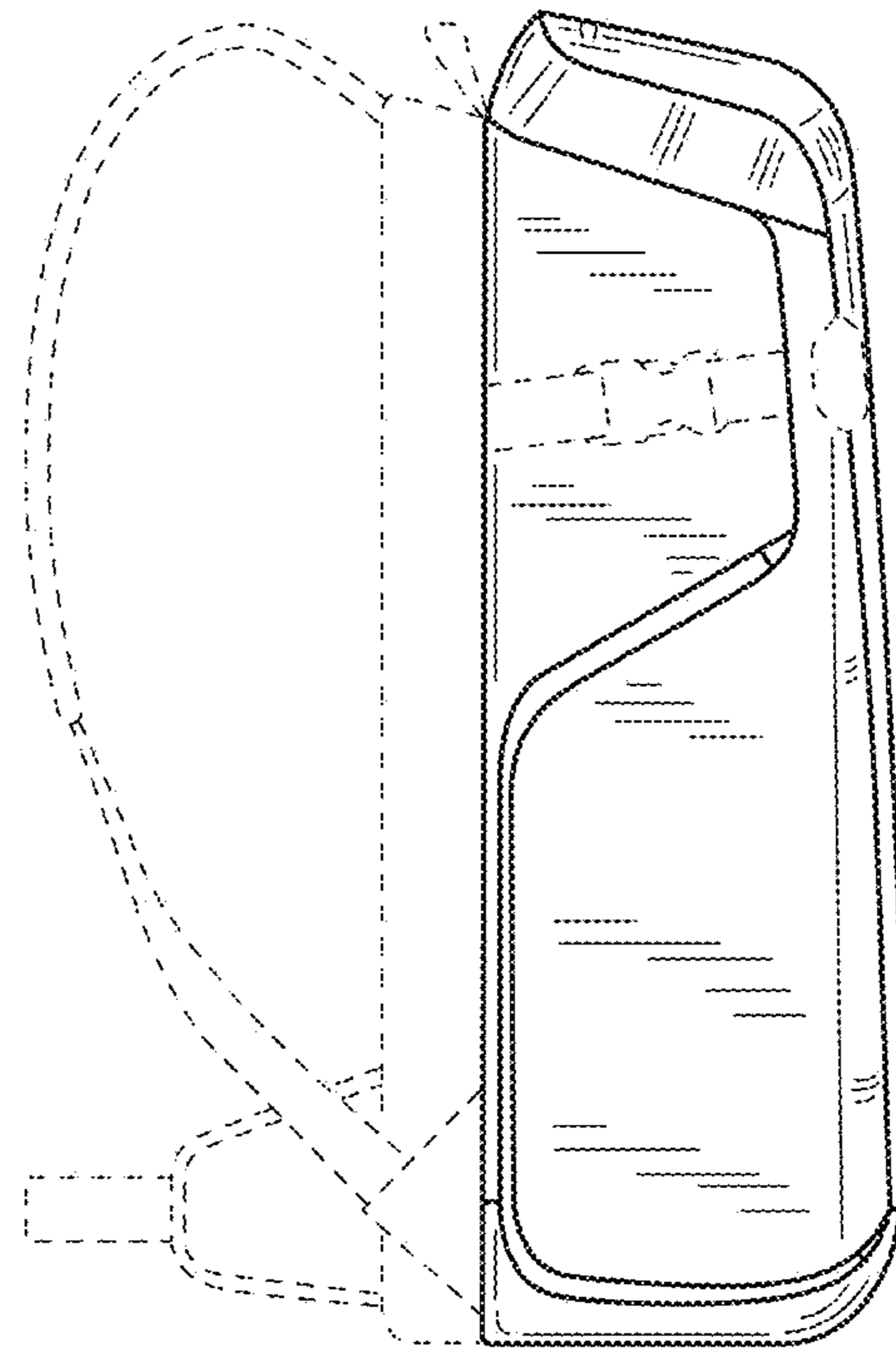


FIG. 11

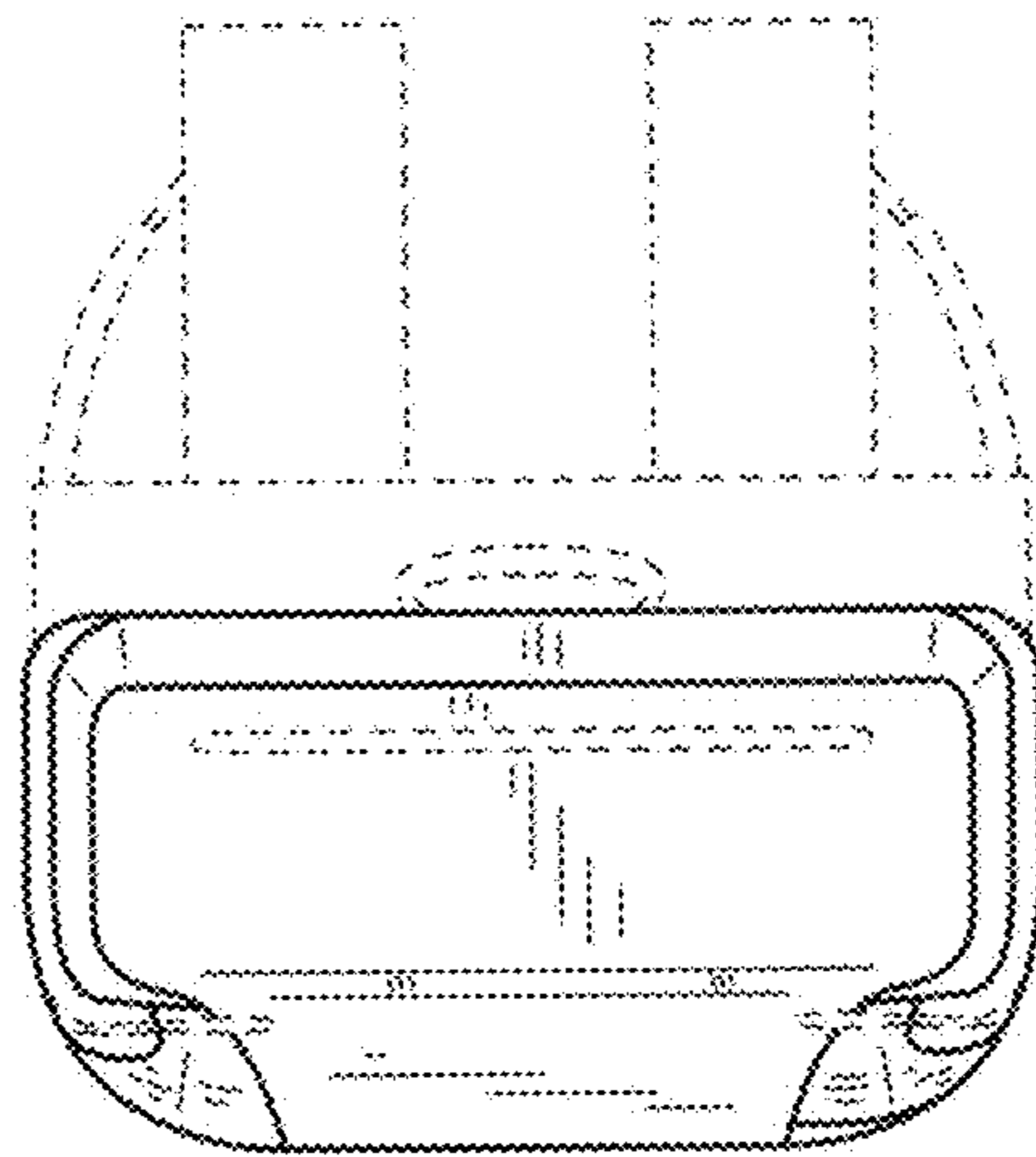


FIG. 12

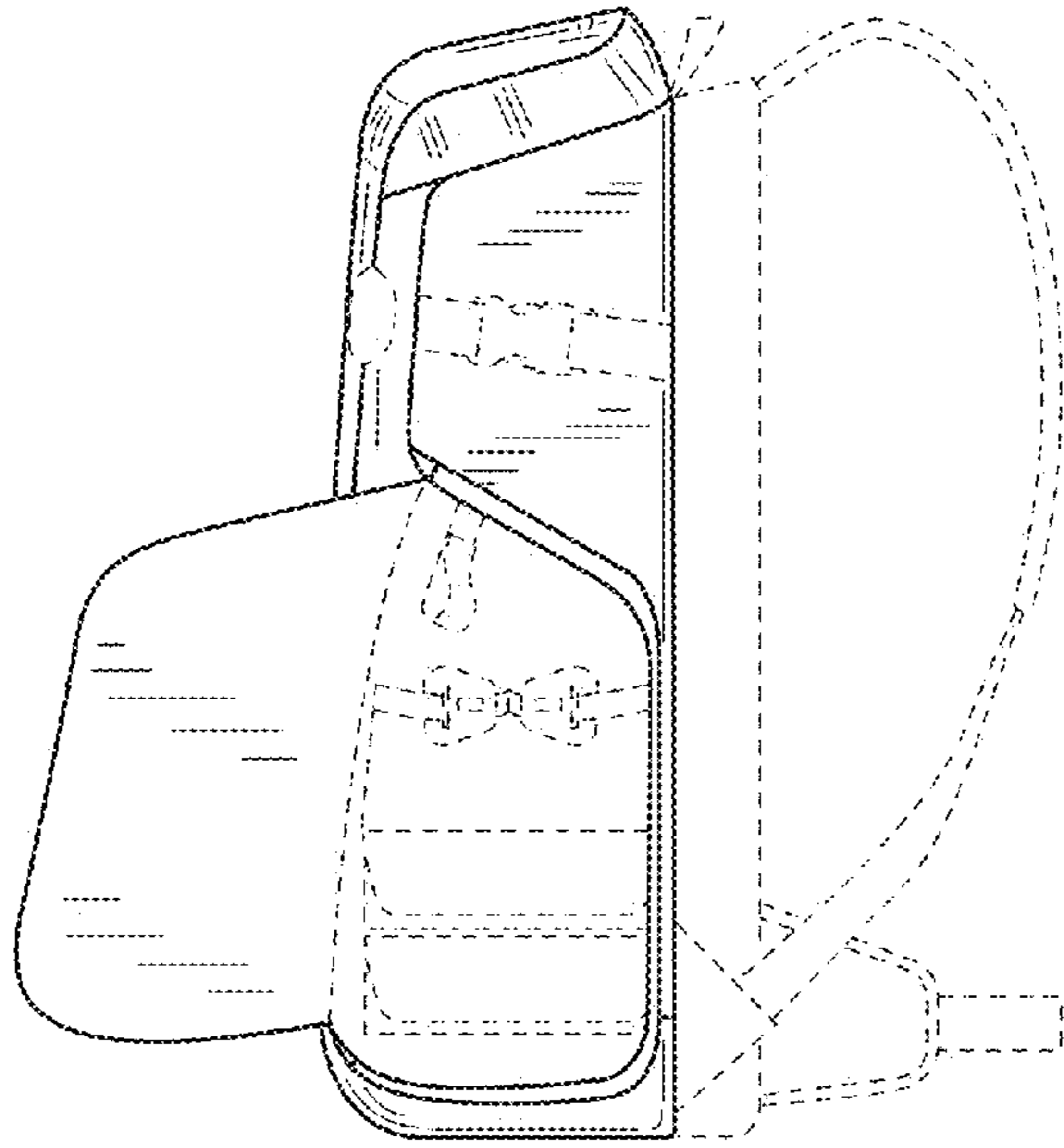


FIG. 13

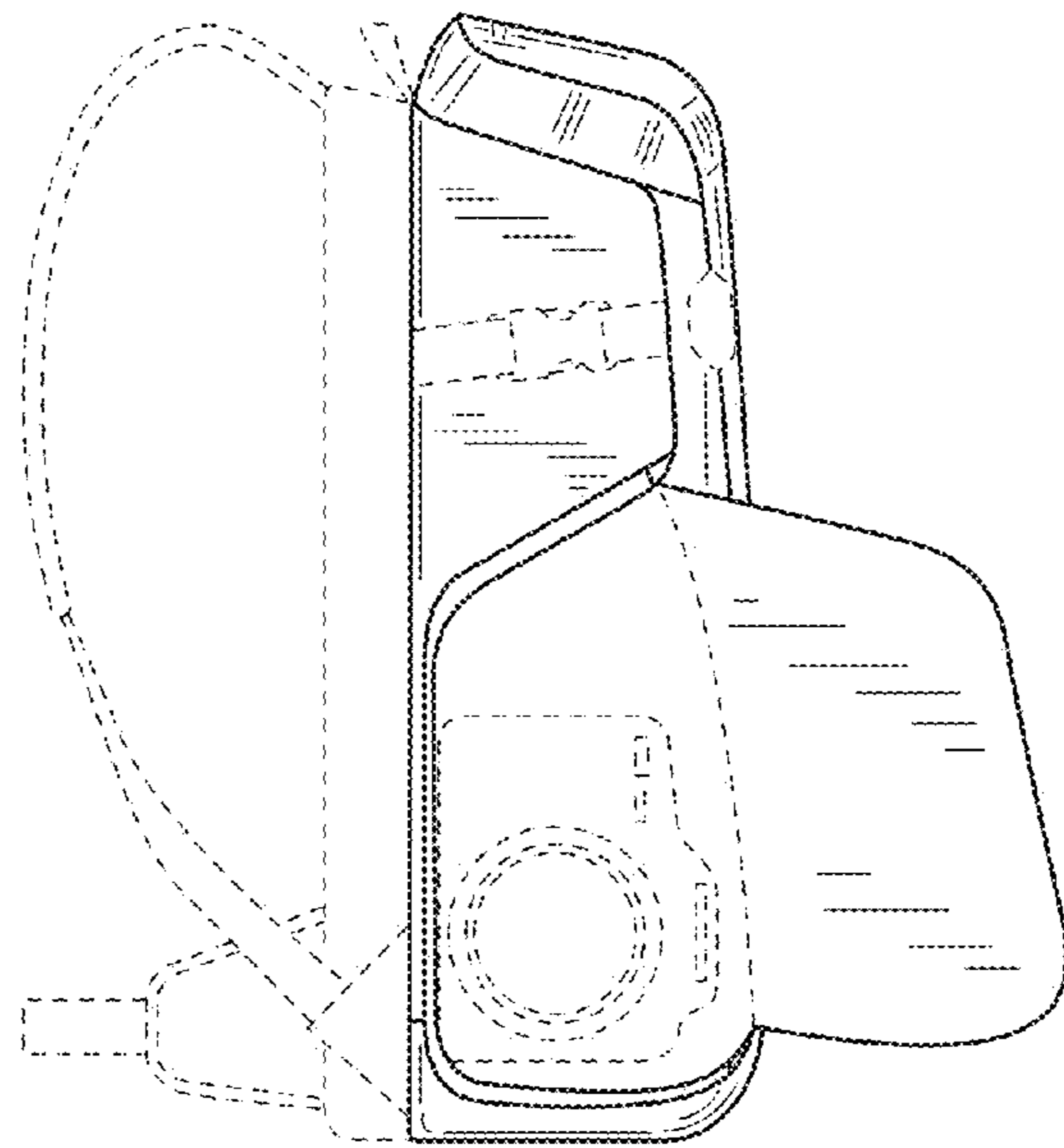


FIG. 14