



US00D708844S

(12) **United States Design Patent**
Wu

(10) **Patent No.:** **US D708,844 S**
(45) **Date of Patent:** **** Jul. 15, 2014**

(54) **FLASHLIGHT KEY FOB IN THE SHAPE OF A NUMERAL**

- (71) Applicant: **Liuning Wu**, Ningbo (CN)
 - (72) Inventor: **Liuning Wu**, Ningbo (CN)
 - (73) Assignee: **Ningbo Worth International Trade Co., Ltd.**, Ningbo (CN)
 - (**) Term: **14 Years**
 - (21) Appl. No.: **29/441,146**
 - (22) Filed: **Jan. 1, 2013**
 - (51) **LOC (10) Cl.** **03-01**
 - (52) **U.S. Cl.**
USPC **D3/211**
 - (58) **Field of Classification Search**
CPC A44B 15/00
USPC D11/1-2, 14, 26-29, 89-92, 44, 48, 81,
D11/99, 79; 63/26-28, 32; D3/207-212;
D8/16, 38, 347, 348, 33; 70/456 B, 457,
70/458; 206/37.1; D21/576, 593, 594,
D21/606, 609, 610, 611, 659, 660;
D30/157; 54/83.1; D26/47, 51, 57
- See application file for complete search history.

(56) **References Cited**

U.S. PATENT DOCUMENTS

| | | | | |
|--------------|--------|-------------|-------|--------|
| D334,264 S * | 3/1993 | Albanese | | D32/46 |
| D522,235 S * | 6/2006 | Kell et al. | | D3/211 |
| D661,479 S * | 6/2012 | Wu | | D3/211 |
| D661,889 S * | 6/2012 | Wu | | D3/207 |

* cited by examiner

Primary Examiner — Ralf Seifert

(74) *Attorney, Agent, or Firm* — Thomas I. Rozsa

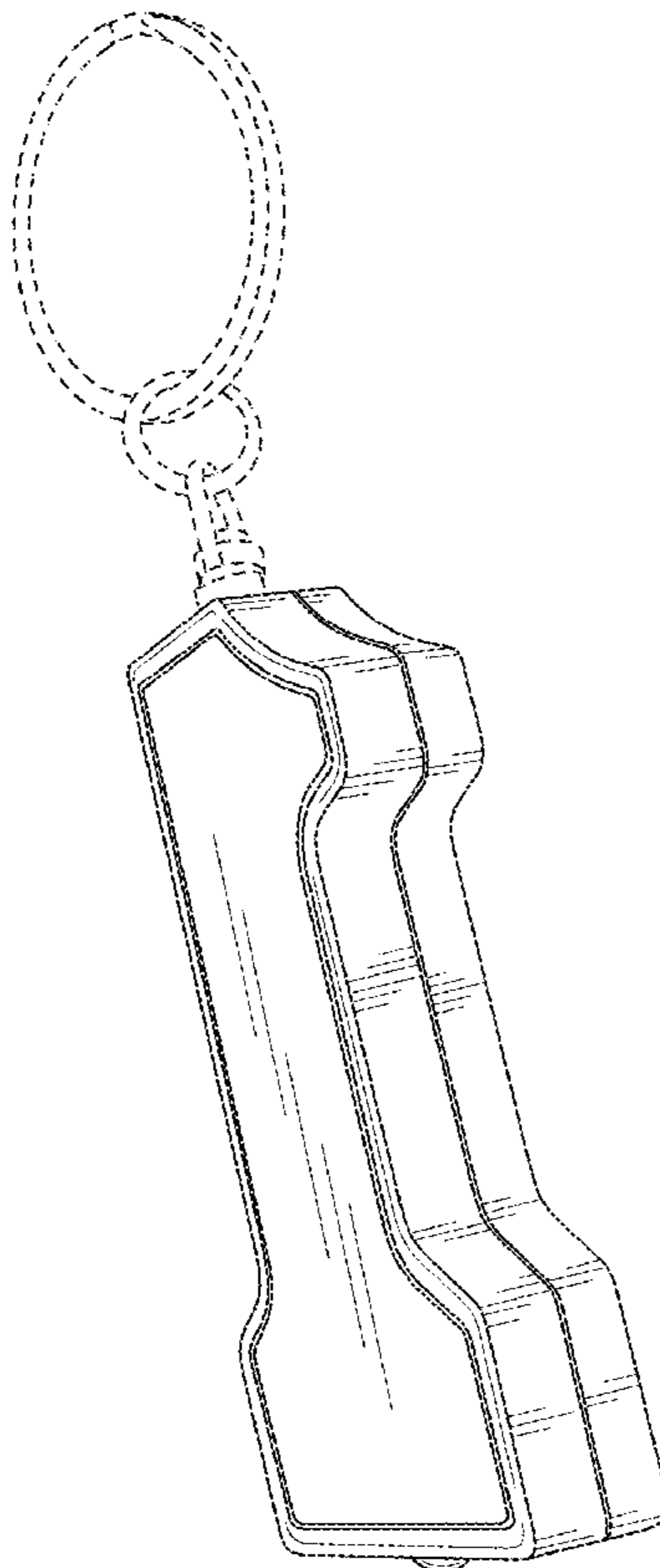
(57) **CLAIM**

The ornamental design for a flashlight key fob in the shape of a numeral, as shown and described.

DESCRIPTION

FIG. 1 is a rear perspective view of the flashlight key fob in the shape of a numeral, showing my new design;
 FIG. 2 is a front perspective view thereof;
 FIG. 3 is an elevational view of the rear thereof;
 FIG. 4 is an elevational view of the front thereof;
 FIG. 5 is an elevational view of the left side thereof;
 FIG. 6 is an elevational view of the right side thereof;
 FIG. 7 is an elevational view of the bottom thereof; and,
 FIG. 8 is an elevational view of the top thereof.
 The key ring and attachment shown in dotted lines in the drawings are for illustrative purposes only and form no part of the claimed design.

1 Claim, 6 Drawing Sheets



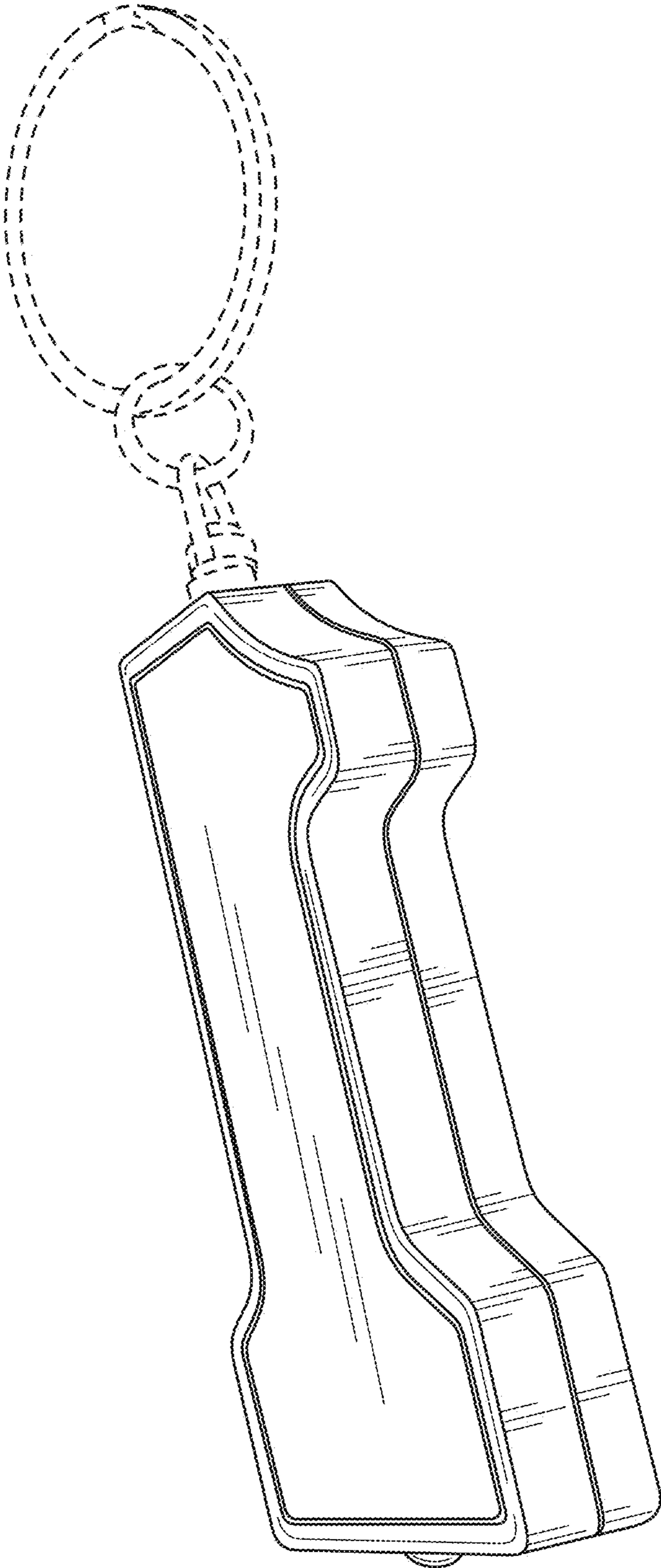


FIG. 1

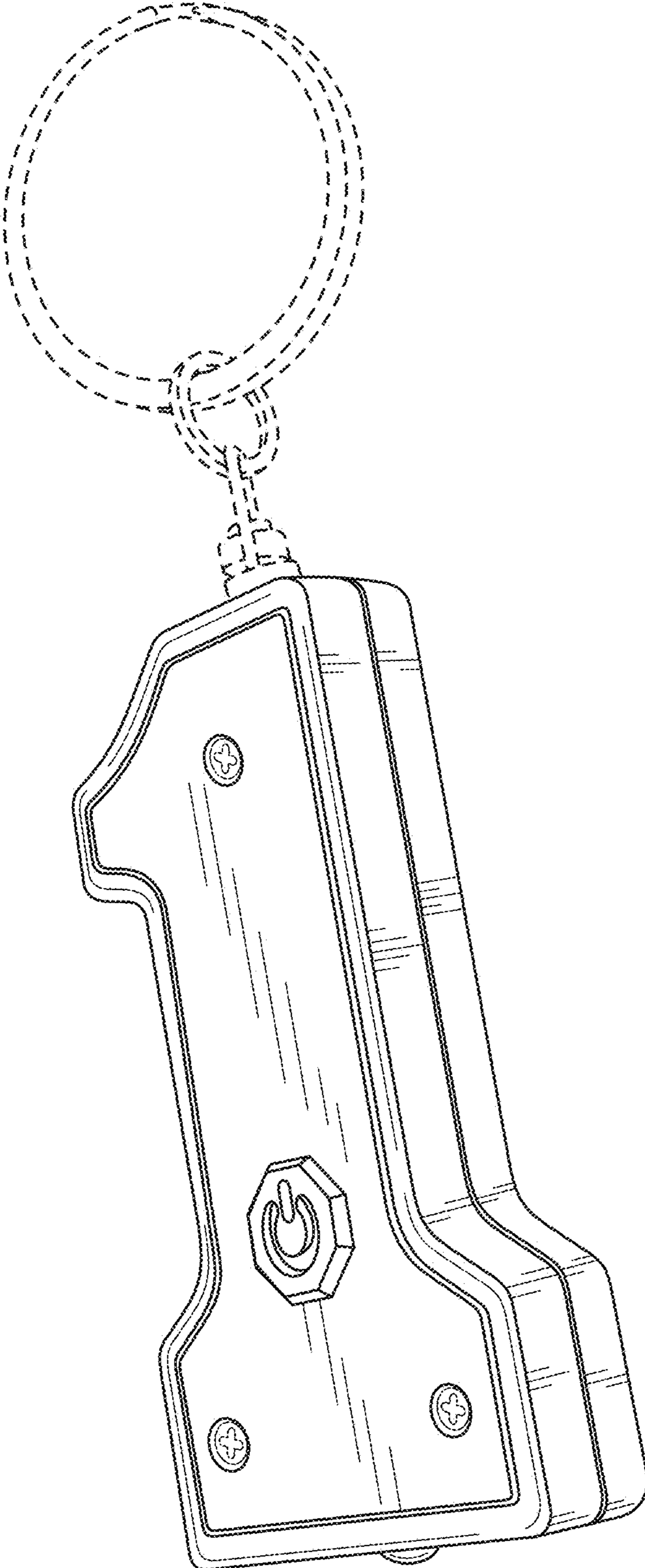


FIG. 2

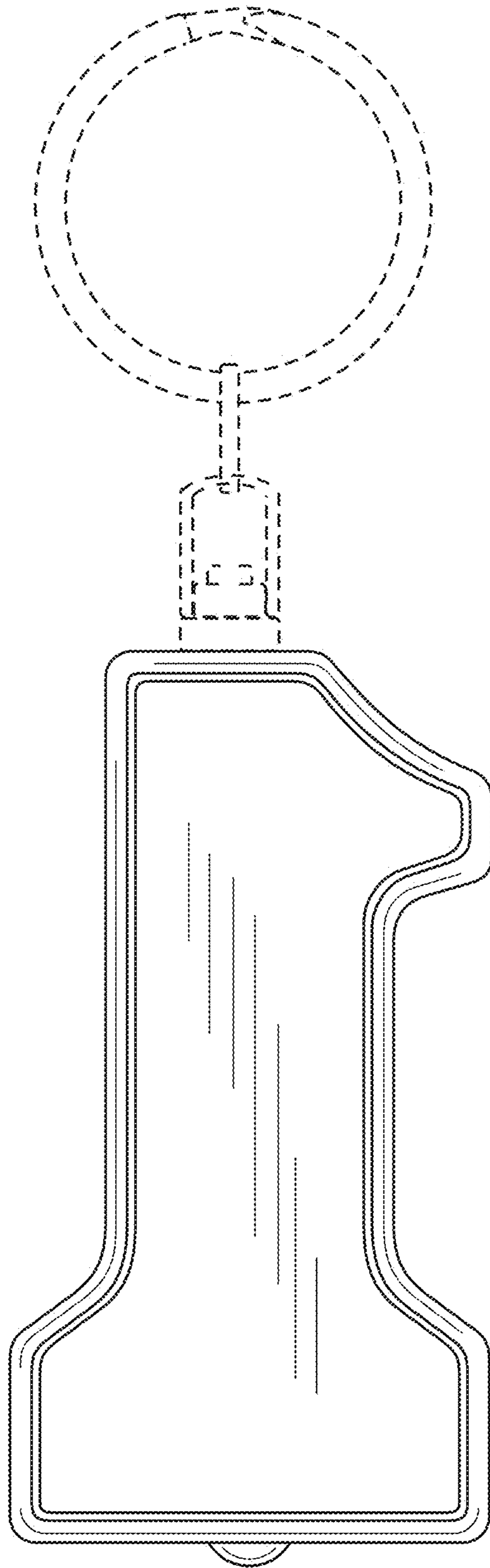


FIG. 3

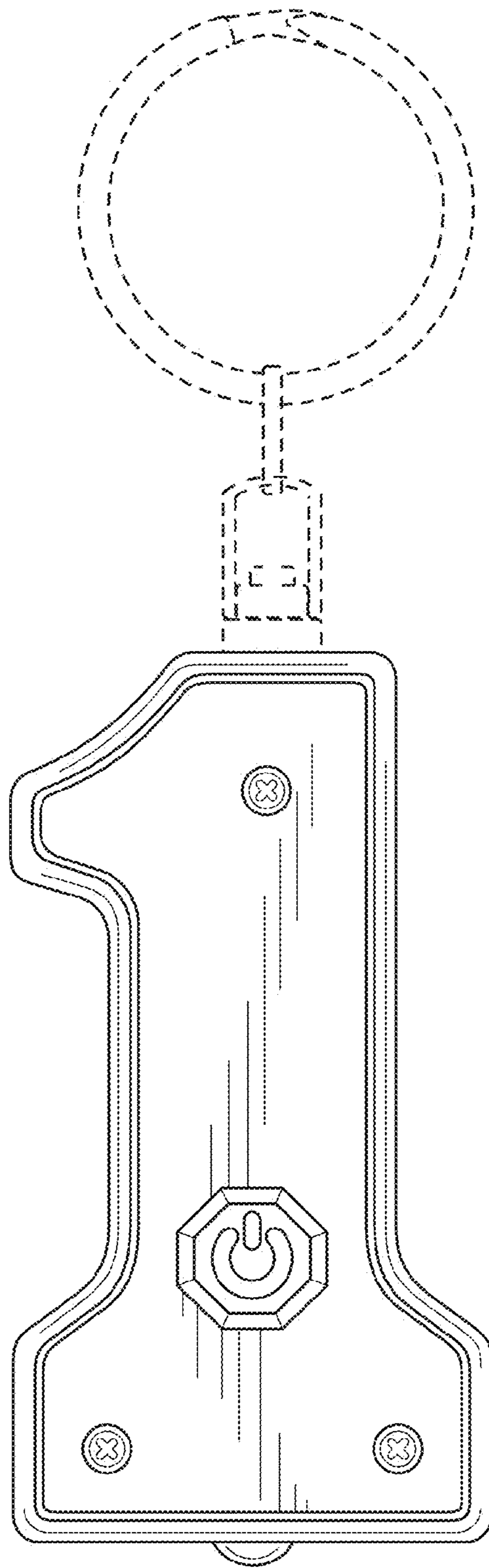


FIG. 4

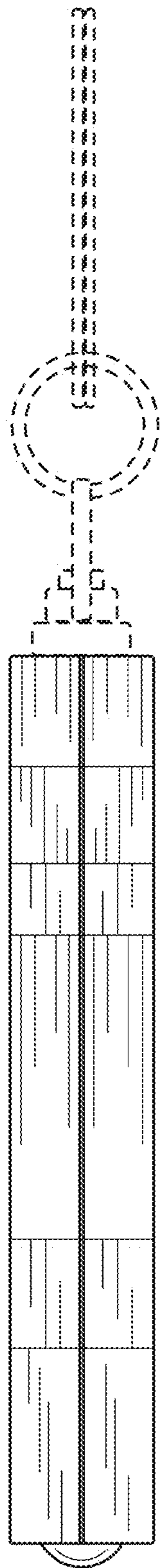


FIG. 5

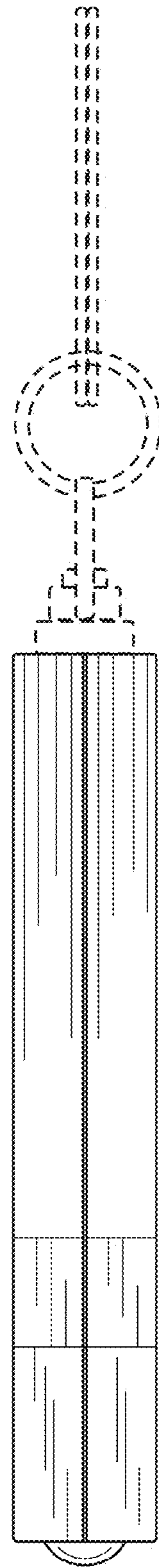


FIG. 6

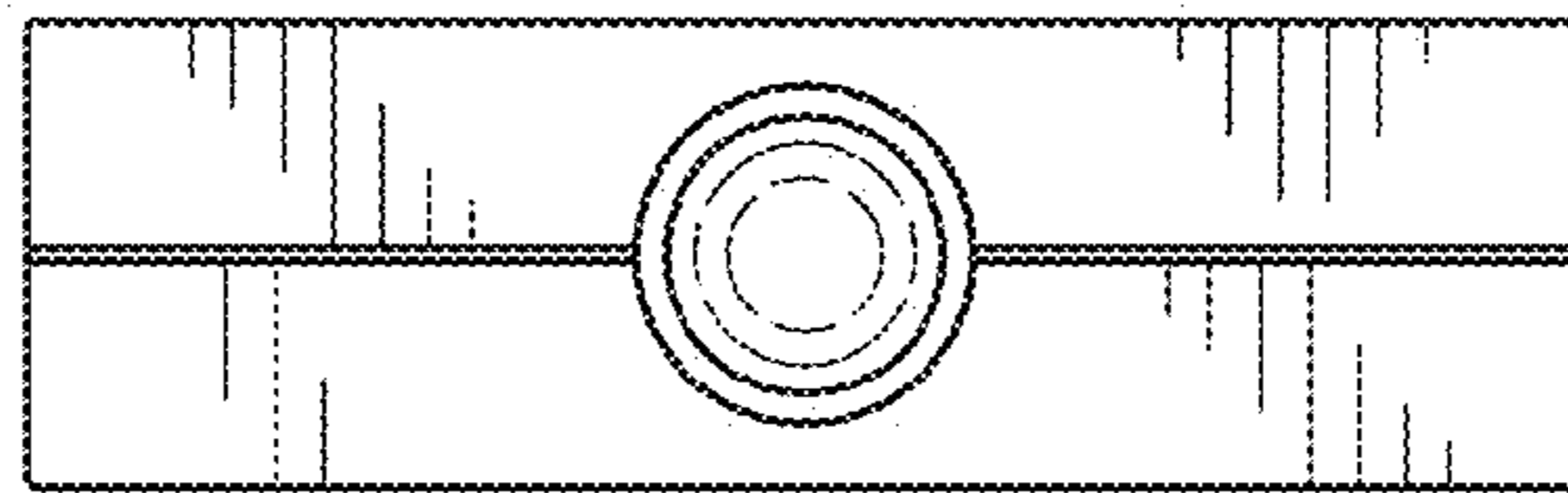


FIG. 7

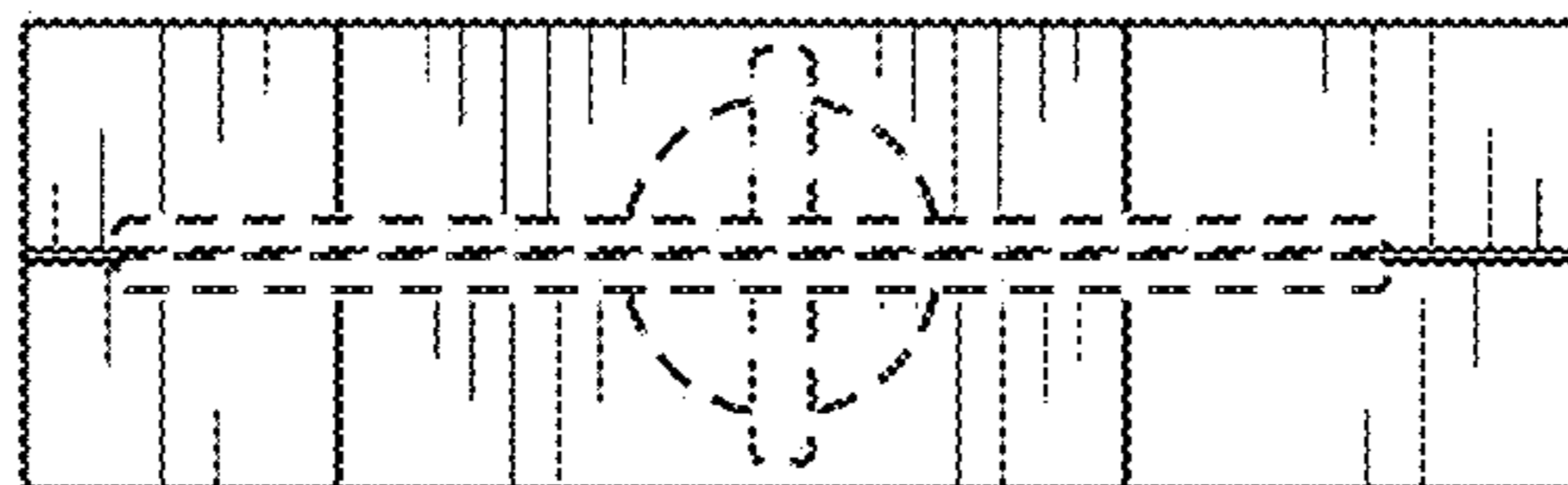


FIG. 8