



US00D708843S

(12) **United States Design Patent**
Warner et al.

(10) **Patent No.:** **US D708,843 S**
(45) **Date of Patent:** **** Jul. 15, 2014**

(54) **KEY HOLDER**

(71) Applicant: **Semco Plastic Company**, St. Louis, MO (US)

(72) Inventors: **Scott K. Warner**, Lehi, UT (US); **Aaron S. Puglisi**, Provo, UT (US)

(73) Assignee: **Semco Plastic Company**, St. Louis, MO (US)

(**) Term: **14 Years**

(21) Appl. No.: **29/472,677**

(22) Filed: **Nov. 14, 2013**

(51) **LOC (10) Cl.** **03-01**

(52) **U.S. Cl.**
USPC **D3/207**

(58) **Field of Classification Search**
CPC A44B 9/12
USPC D11/1-2, 14, 26-29, 89-92, 44, 48, 81, D11/99; 63/26-28, 32; D3/207-212; D8/16, D8/38, 347, 348; 70/456 B, 457, 458, 408; 206/37.1; D21/576, 593, 594, 606, D21/609, 610, 611, 659, 660
See application file for complete search history.

(56) **References Cited**

U.S. PATENT DOCUMENTS

1,475,133 A * 11/1923 Murray 70/456 R
2,825,950 A * 3/1958 White 24/710.8
3,513,675 A * 5/1970 Ryder, Jr et al. 70/459
4,077,243 A * 3/1978 Tyson 70/459

D251,754 S * 5/1979 Tyson D3/207
D258,850 S * 4/1981 Brentini D3/207
6,536,247 B2 * 3/2003 Huang 70/456 R
6,848,287 B1 * 2/2005 Huang 70/456 R
7,350,385 B1 * 4/2008 Book 70/456 R
D644,145 S * 8/2011 Wong et al. D11/221
8,407,862 B2 * 4/2013 Bluma 24/3.6

* cited by examiner

Primary Examiner — Ralf Seifert

(74) *Attorney, Agent, or Firm* — Workman Nydegger

(57) **CLAIM**

The ornamental design for a key holder, as shown and described.

DESCRIPTION

FIG. 1 is a perspective view of a key holder employing our design, and shown in use;

FIG. 2 is an isolated perspective view thereof;

FIG. 3 is a front elevational view thereof;

FIG. 4 is a rear elevational view thereof;

FIG. 5 is a left elevational view thereof;

FIG. 6 is a right elevational view thereof;

FIG. 7 is a top plan view thereof;

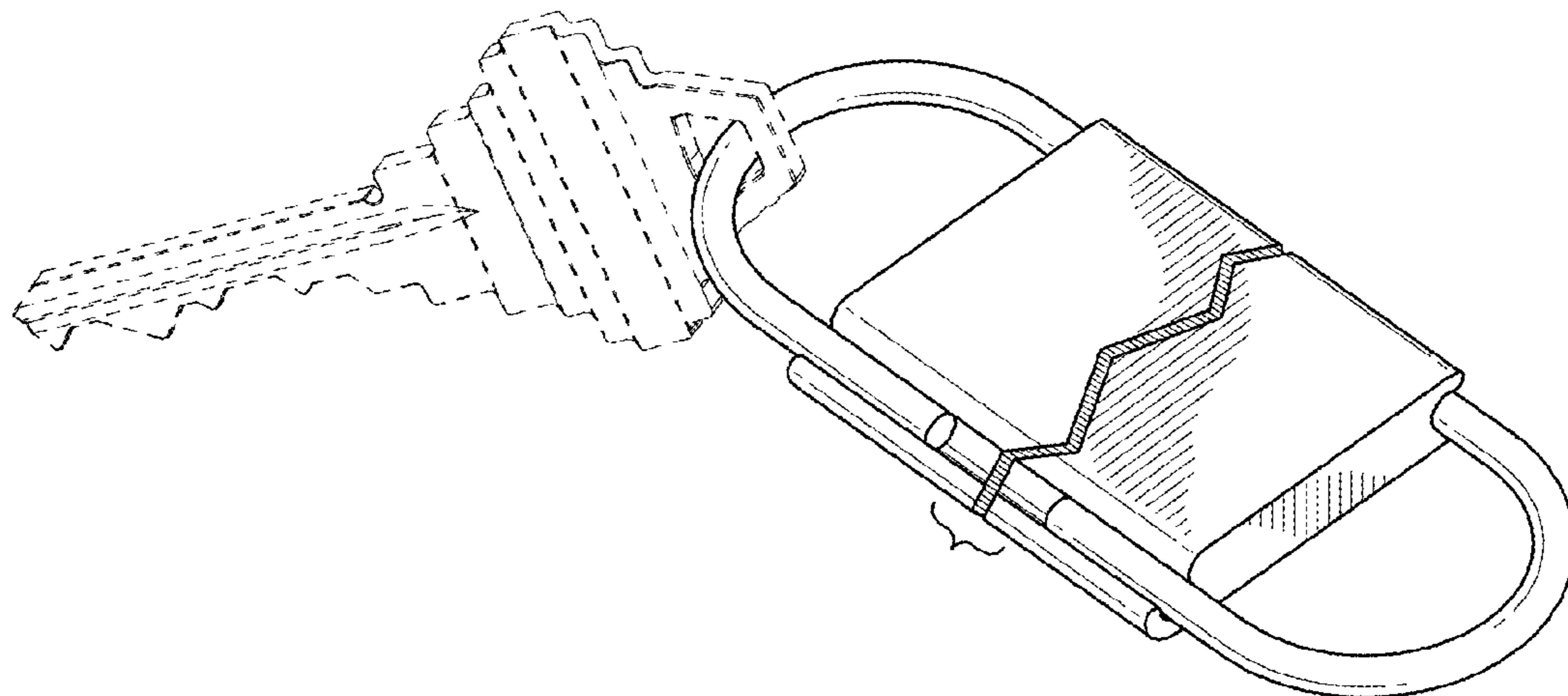
FIG. 8 is a bottom plan view thereof; and,

FIG. 9 is a perspective view of the key holder in an optional alternative position.

The broken lines showing environment in the drawings are included for illustrative purposes only and form no part of the claimed design.

The claimed design is shown broken away to indicate indeterminate length.

1 Claim, 4 Drawing Sheets



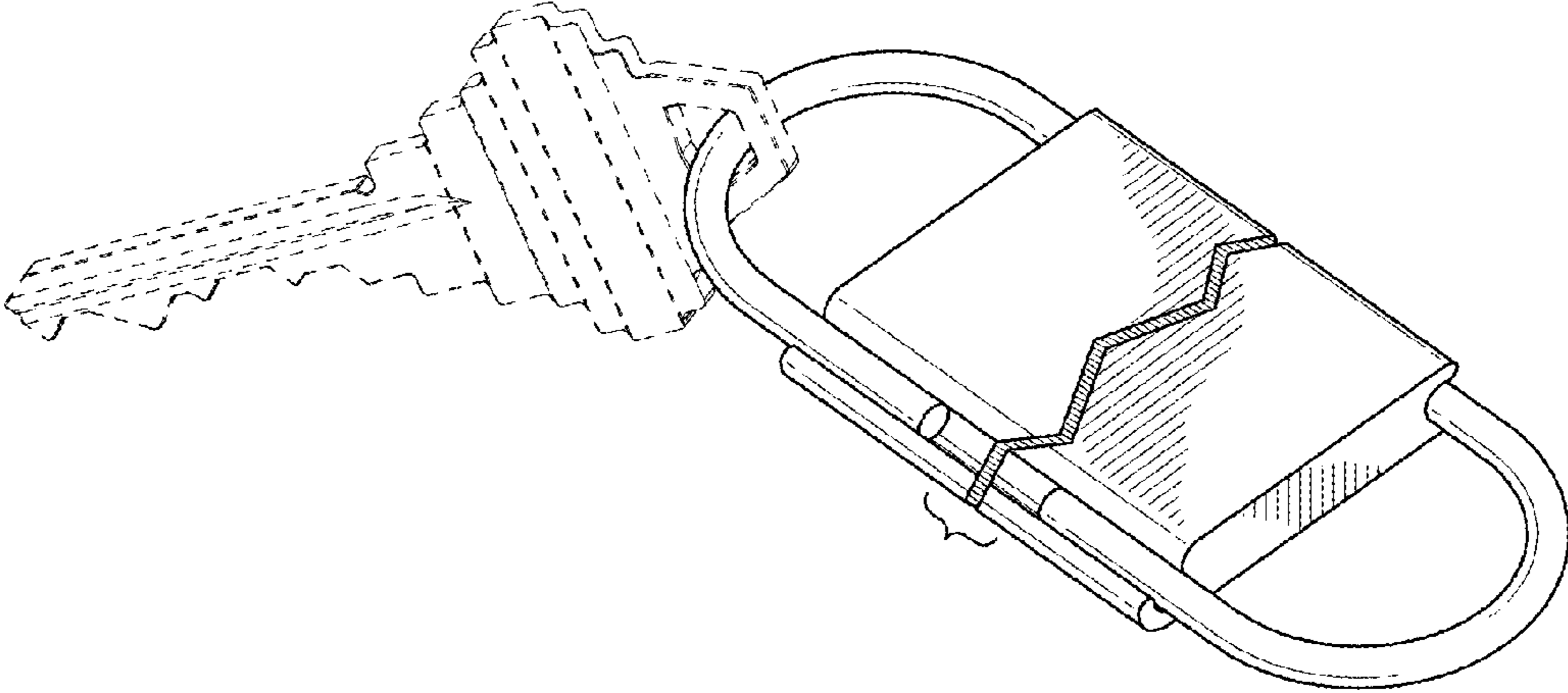


FIG. 1

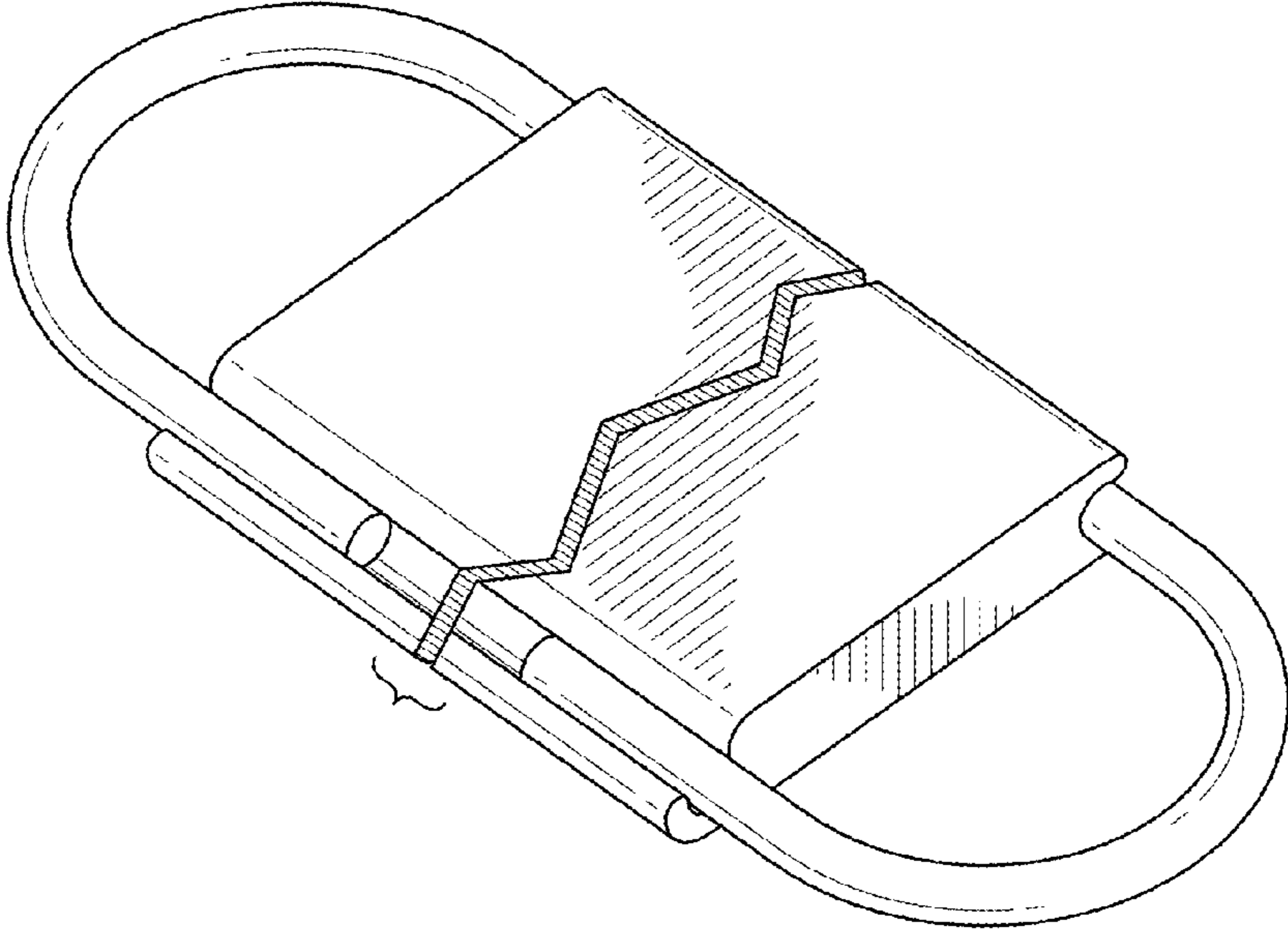


FIG. 2

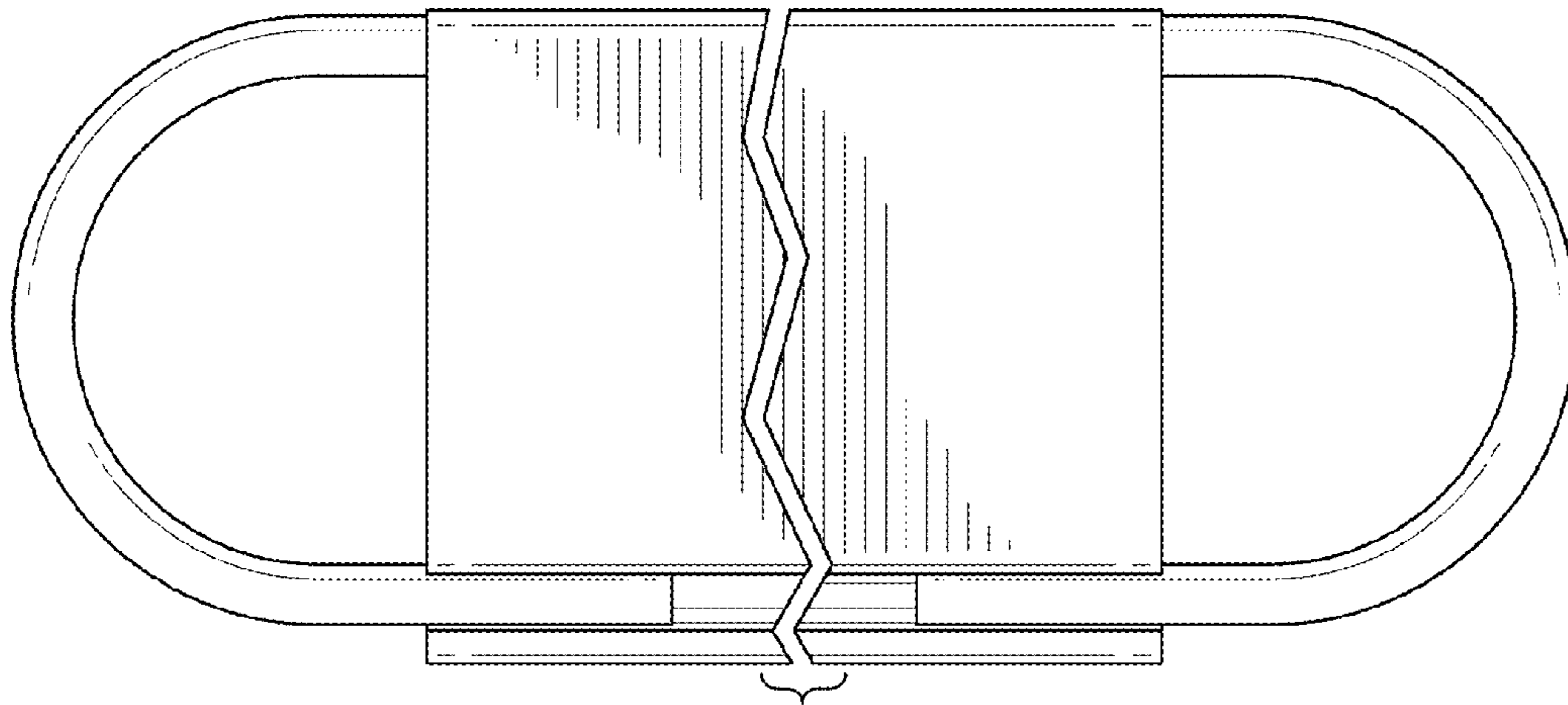


FIG. 3

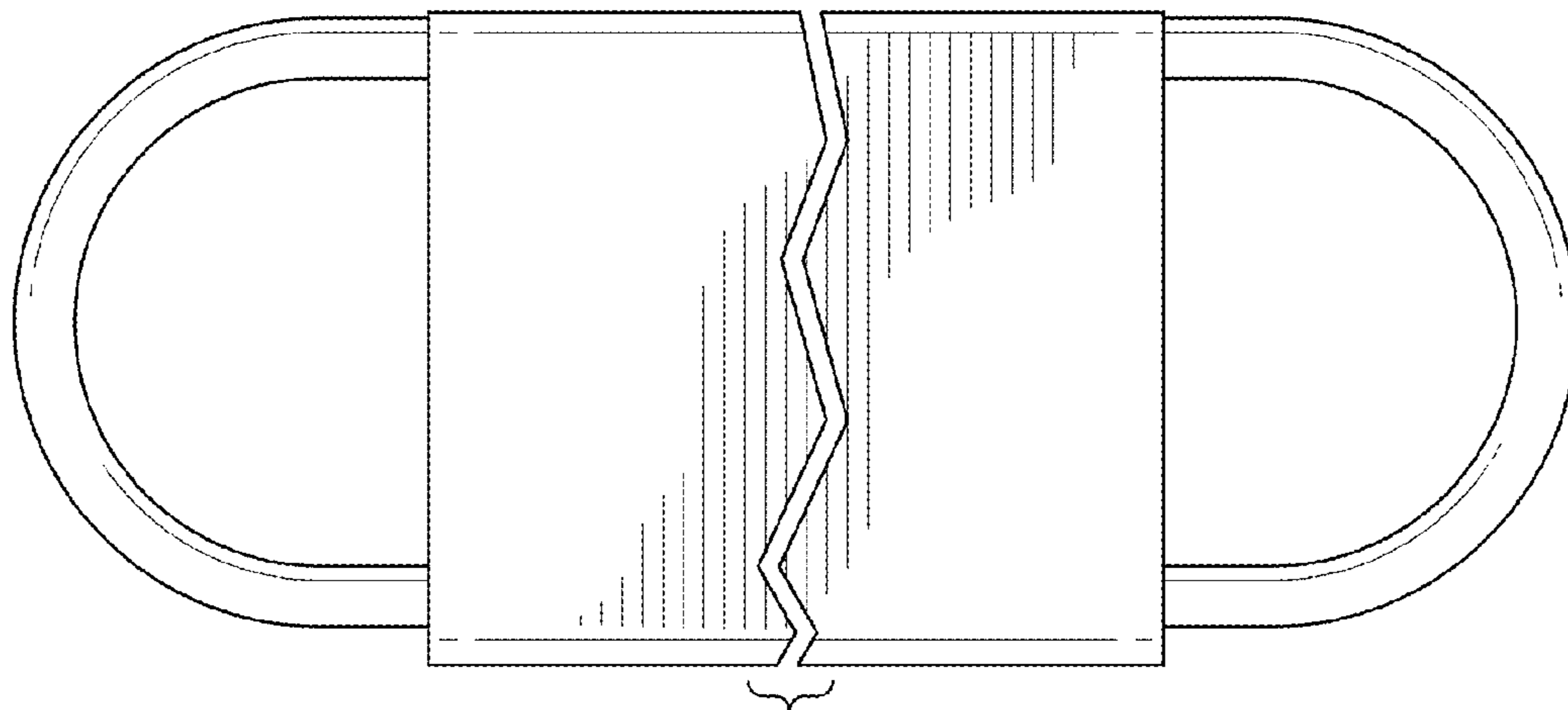


FIG. 4

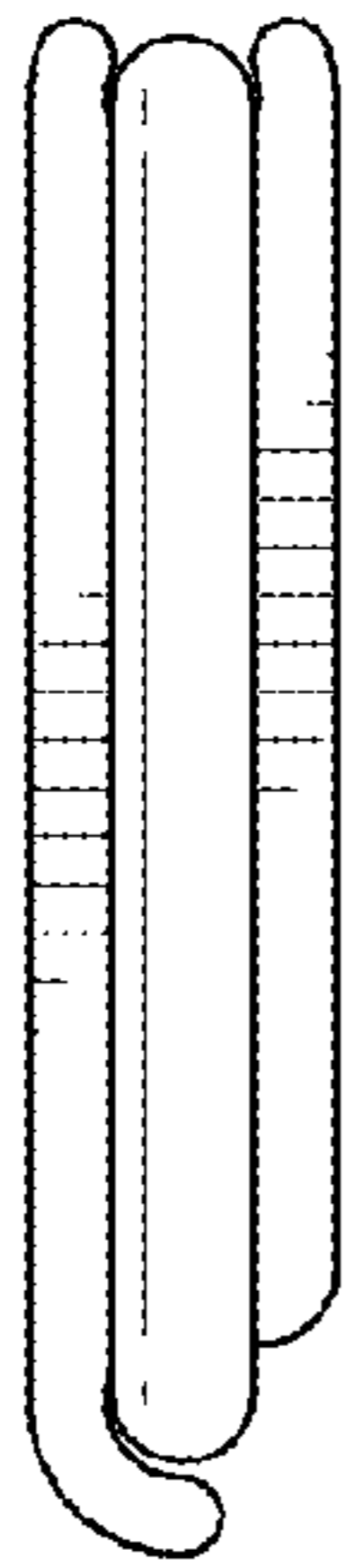


FIG. 5

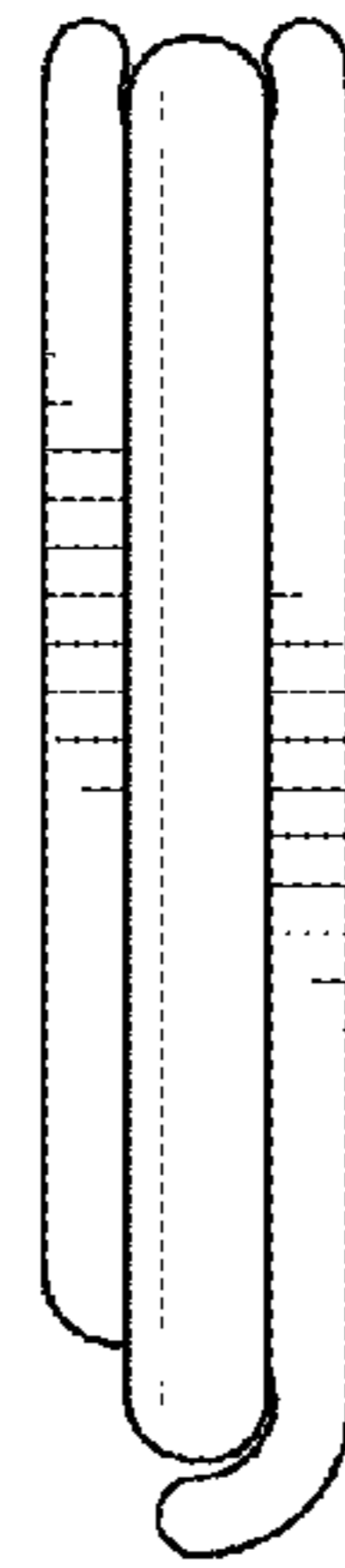


FIG. 6

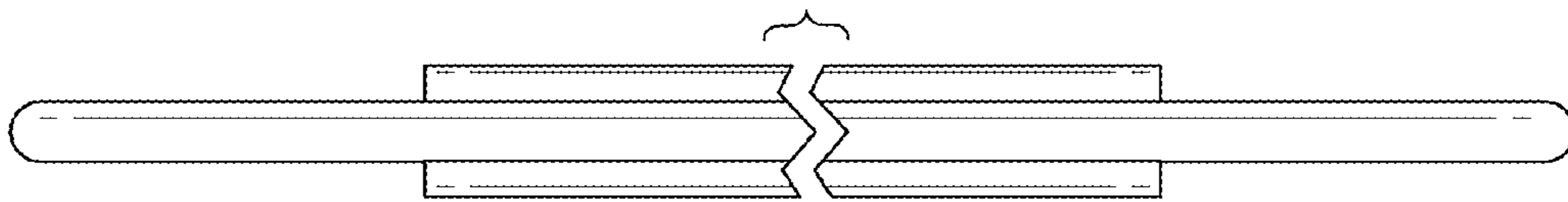


FIG. 7

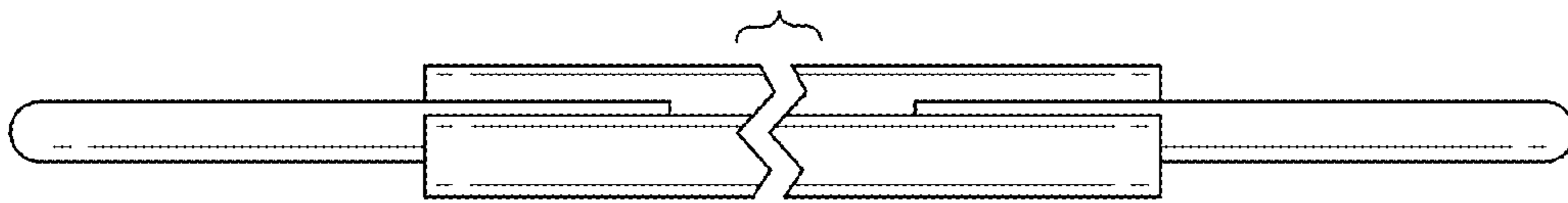


FIG. 8

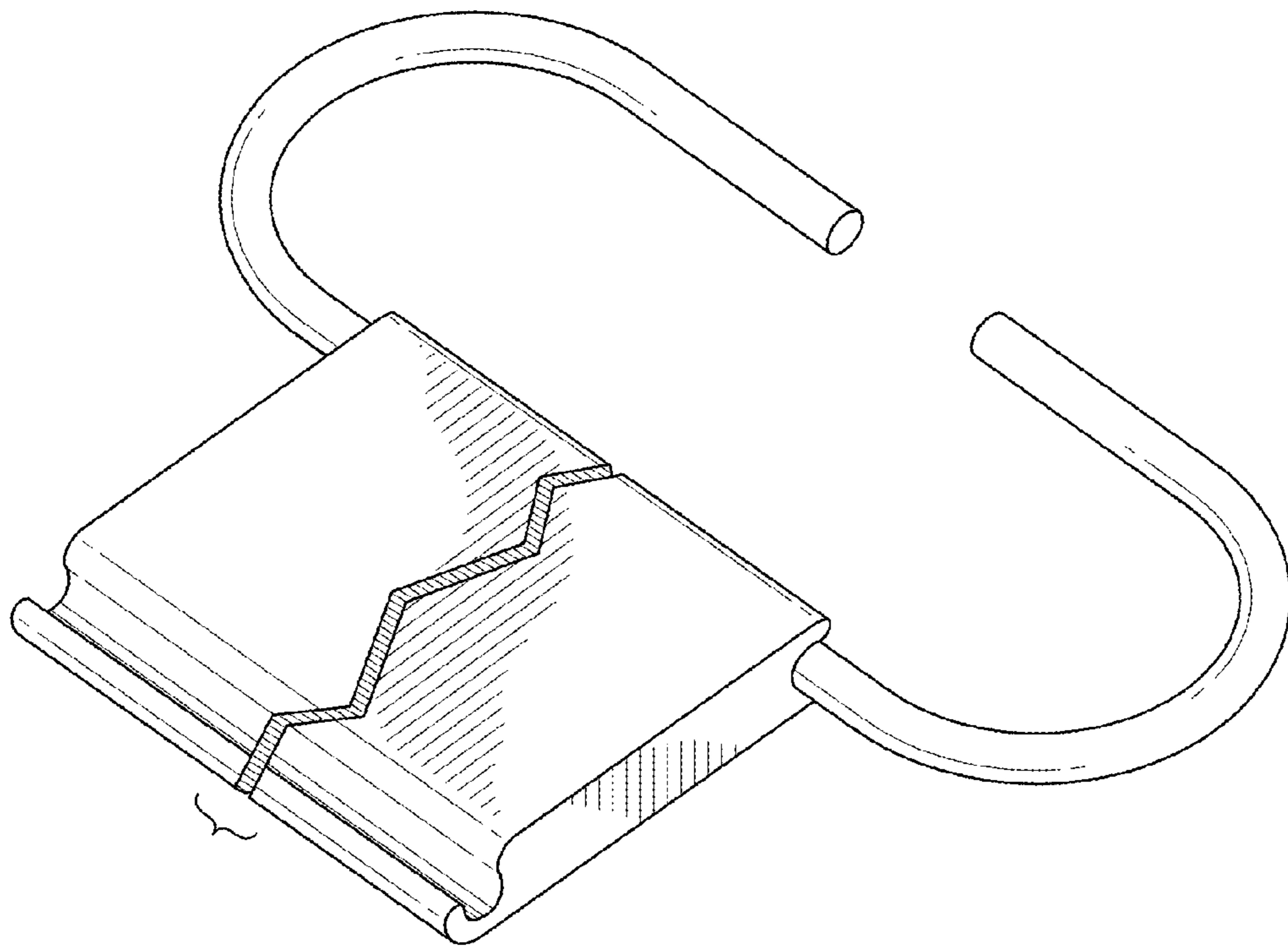


FIG. 9