



US00D708841S

(12) **United States Design Patent**
Hebert et al.

(10) **Patent No.:** **US D708,841 S**
(45) **Date of Patent:** **** *Jul. 15, 2014**

- (54) **PERSONAL ITEM ORGANIZER**
- (76) Inventors: **Nicol Hebert**, Austin, TX (US);
Marlinda Hinojosa, Austin, TX (US)
- (*) Notice: This patent is subject to a terminal disclaimer.
- (**) Term: **14 Years**
- (21) Appl. No.: **29/377,694**
- (22) Filed: **Oct. 25, 2010**
- (51) **LOC (10) Cl.** **03-02**
- (52) **U.S. Cl.**
USPC **D3/205**
- (58) **Field of Classification Search**
USPC D3/204, 218, 226, 230, 232, 243, 245,
D3/246, 247, 249, 272, 273, 275, 276,
D3/283–285, 289, 290, 299, 303, 315,
D3/294–296, 903; 206/6.1, 235, 457, 349,
206/373, 5, 38, 380, 579, 581; 150/105,
150/111
See application file for complete search history.

(56) **References Cited**

U.S. PATENT DOCUMENTS

2,183,428	A	12/1939	McNary	
2,464,312	A	3/1949	Holden	
3,414,033	A	12/1968	Tucker	
3,963,102	A	6/1976	Carp	
3,964,529	A	6/1976	Brod	
4,177,909	A	12/1979	Haskell	
4,192,365	A *	3/1980	Siegel	150/111
4,250,938	A	2/1981	Siegel	
4,532,972	A	8/1985	Sinsko	
4,739,809	A	4/1988	Adams	
4,991,980	A	2/1991	Cohen et al.	
4,995,436	A	2/1991	Cantor	
D328,524	S *	8/1992	St. Thomas	D3/243
D336,363	S	6/1993	Eisenhower	
D377,415	S *	1/1997	Jacobs et al.	D3/206

5,829,502	A	11/1998	Distefano et al.	
5,911,262	A	6/1999	Steinhart	
D416,676	S *	11/1999	Fitzgerald	D3/226
D425,699	S *	5/2000	Lau	D3/226
6,095,213	A	8/2000	Roegner	
6,109,442	A	8/2000	Roegner	
6,189,698	B1	2/2001	Asser	

(Continued)

Primary Examiner — Ian Simmons
Assistant Examiner — Charles Hanson
(74) *Attorney, Agent, or Firm* — Scheinberg & Associates, PC; Michael O. Scheinberg; John B. Kelly

(57) **CLAIM**

We claim the ornamental design for a personal item organizer, as shown and described.

DESCRIPTION

FIG. 1 is a front perspective view of a personal item organizer according to the present design.

FIG. 2 is a front perspective view thereof with the front flap of the personal item organizer opened.

FIG. 3 is a front view thereof.

FIG. 4 is a back view thereof.

FIG. 5 is a top view thereof.

FIG. 6 is a bottom view thereof.

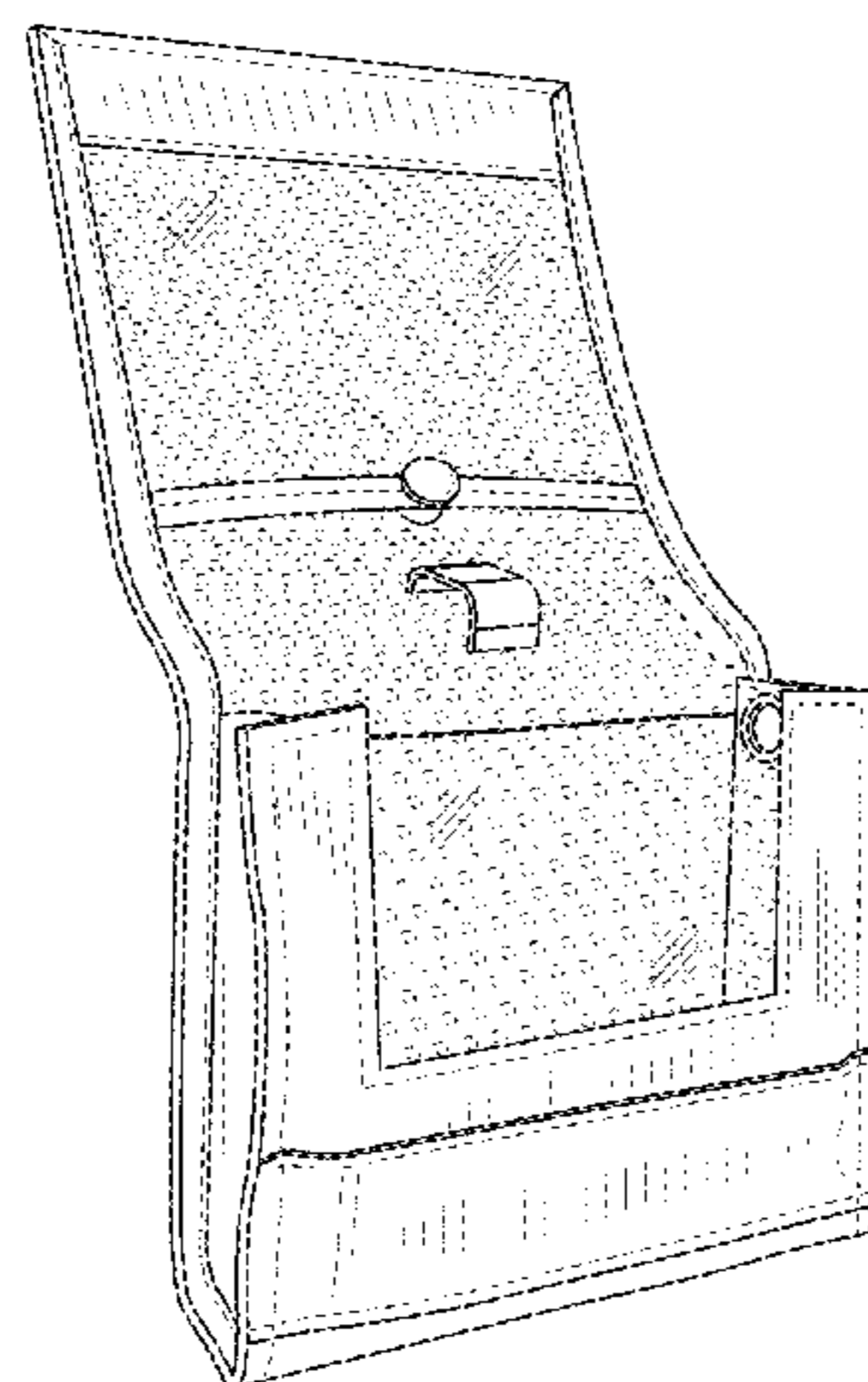
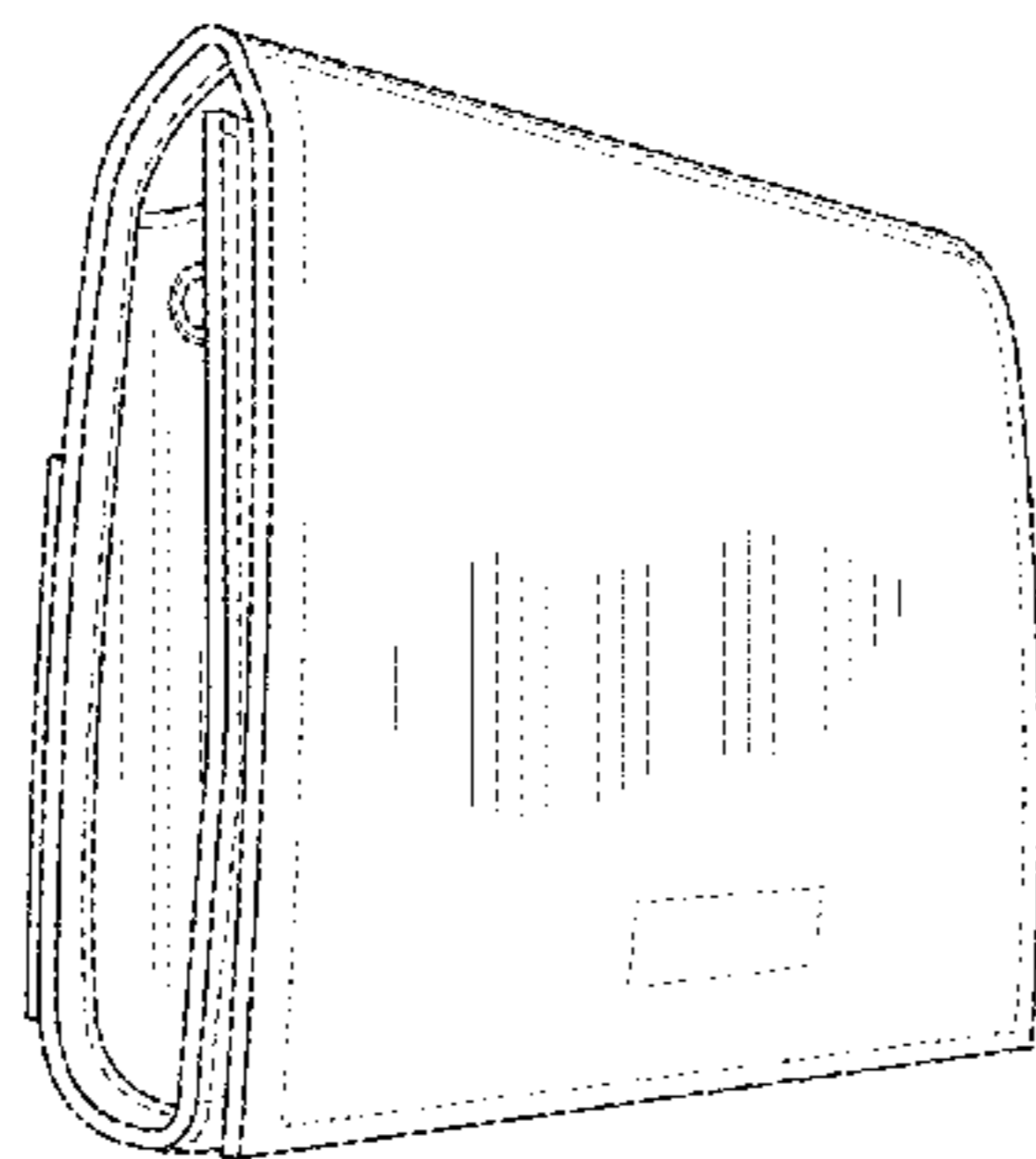
FIG. 7 is a side view thereof. A view of the opposite side is a mirror image of the side as shown.

FIG. 8 is a rear perspective view thereof with the rear flap of the personal item organizer opened; and,

FIG. 9 is a top view thereof with the front flap of the personal item organizer opened.

The broken lines showing the rectangular tag on the flap front, the rectangular tag on the inside of the flap, and the polka dot pattern on the interior shown in FIG. 2 and FIG. 9 are included for the purpose of illustrating environment and forms no part of the claimed design. All other dashed lines represent stitching and do form part of the claimed design.

1 Claim, 6 Drawing Sheets



(56)

References Cited

U.S. PATENT DOCUMENTS

6,481,577	B1	11/2002	Roegner	
6,561,240	B2	5/2003	Ma	
6,622,856	B2	9/2003	Gallo et al.	
D516,805	S	3/2006	Suppangig	
D525,784	S	8/2006	Handley	
D566,393	S	4/2008	Kidakarn	
D577,915	S *	10/2008	Gonzalez	D3/318
D581,665	S	12/2008	Gerbi	
D582,679	S *	12/2008	Gonzalez	D3/318
D609,008	S *	2/2010	Diamant	D3/287
7,854,317	B1	12/2010	Hebert et al.	
D650,989	S *	12/2011	Littleton	D3/299
D655,083	S *	3/2012	Delger	D3/247
2003/0209462	A1	11/2003	Godshaw et al.	
2005/0121121	A1	6/2005	Wang	
2005/0161365	A1	7/2005	Karoly	
2006/0042992	A1	3/2006	Vulcano	
2007/0114258	A1	5/2007	Miller	
2007/0292344	A1	12/2007	Turner	
2008/0006354	A1 *	1/2008	Lang	150/105

* cited by examiner

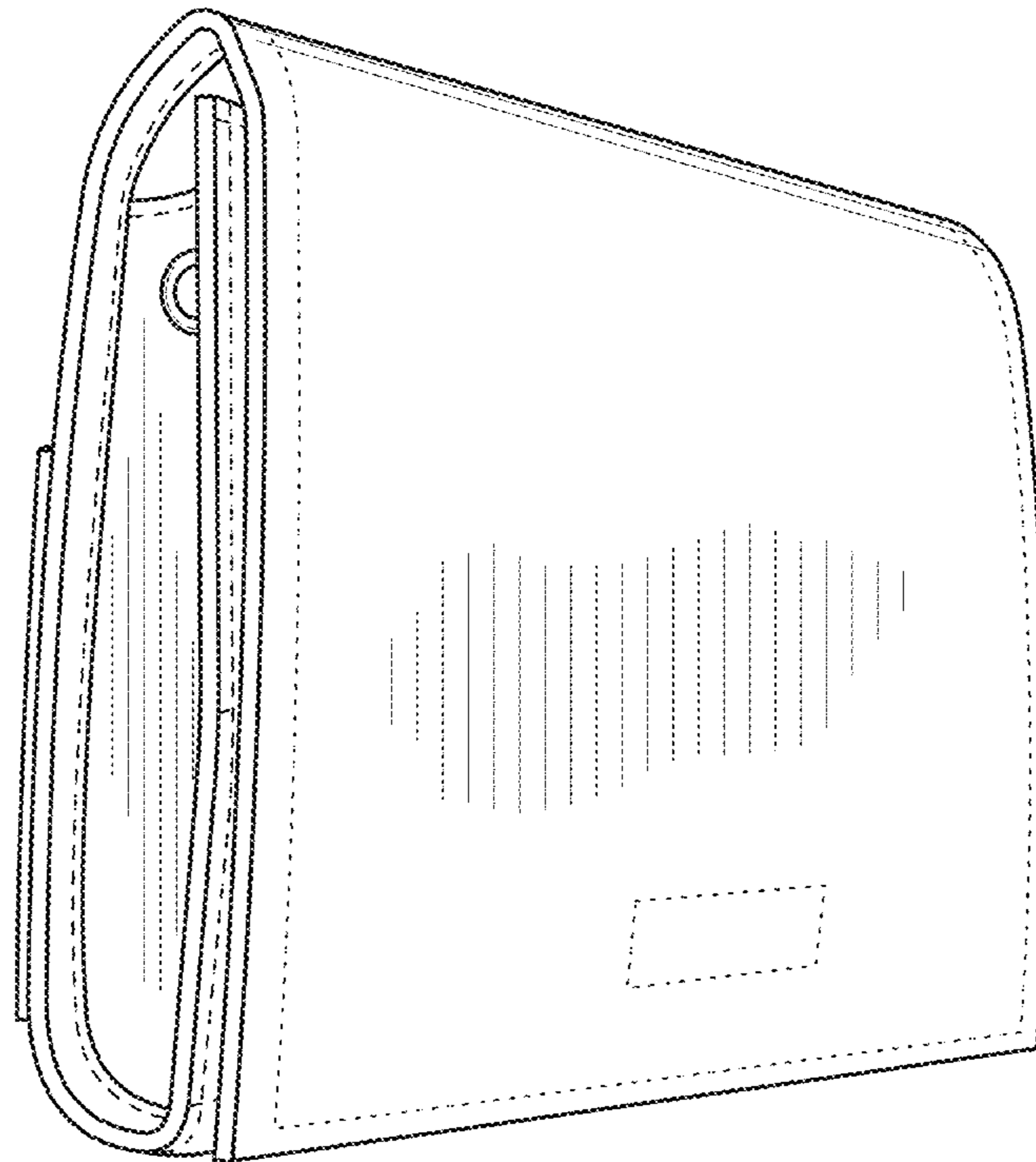


FIG. 1

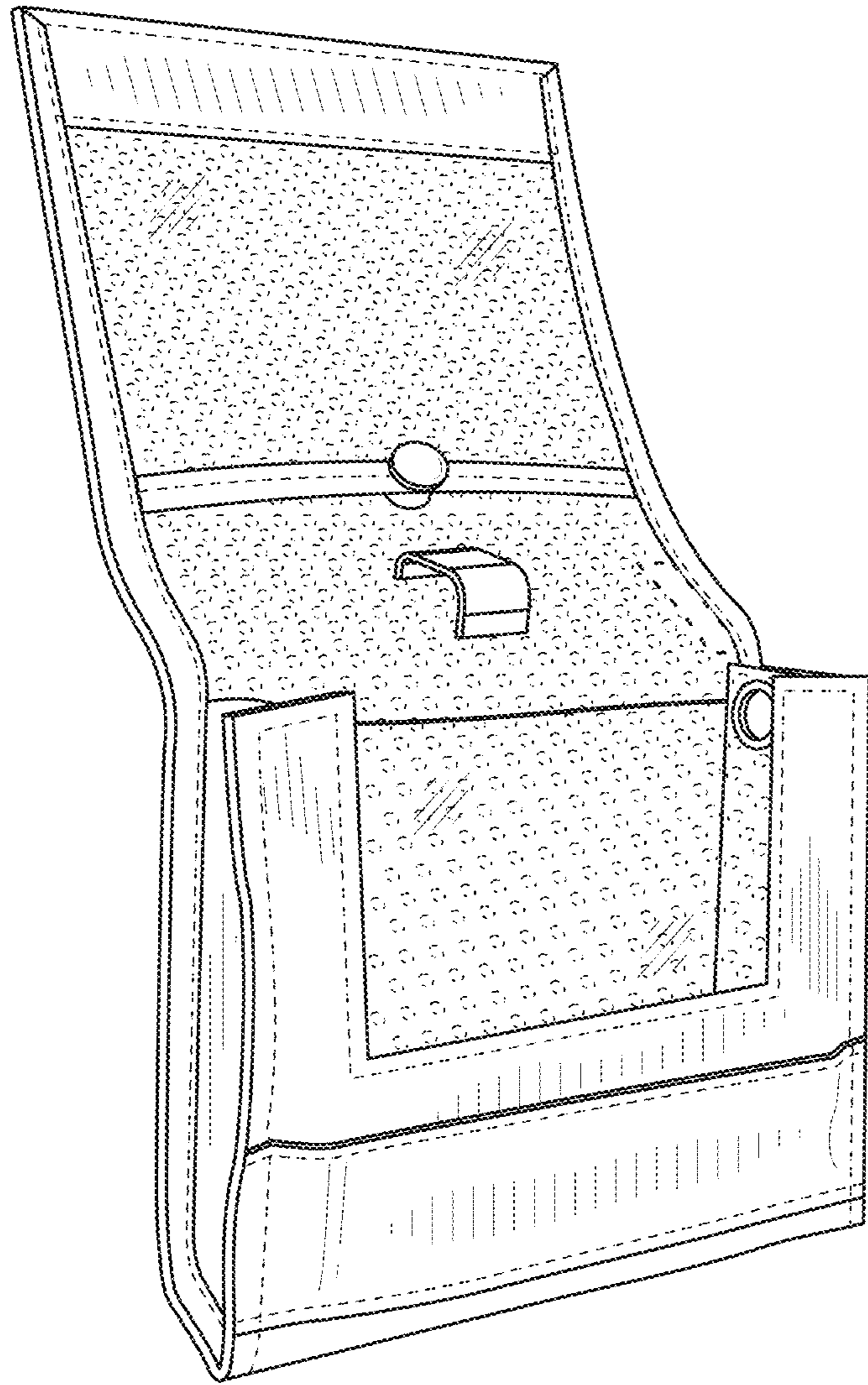


FIG. 2

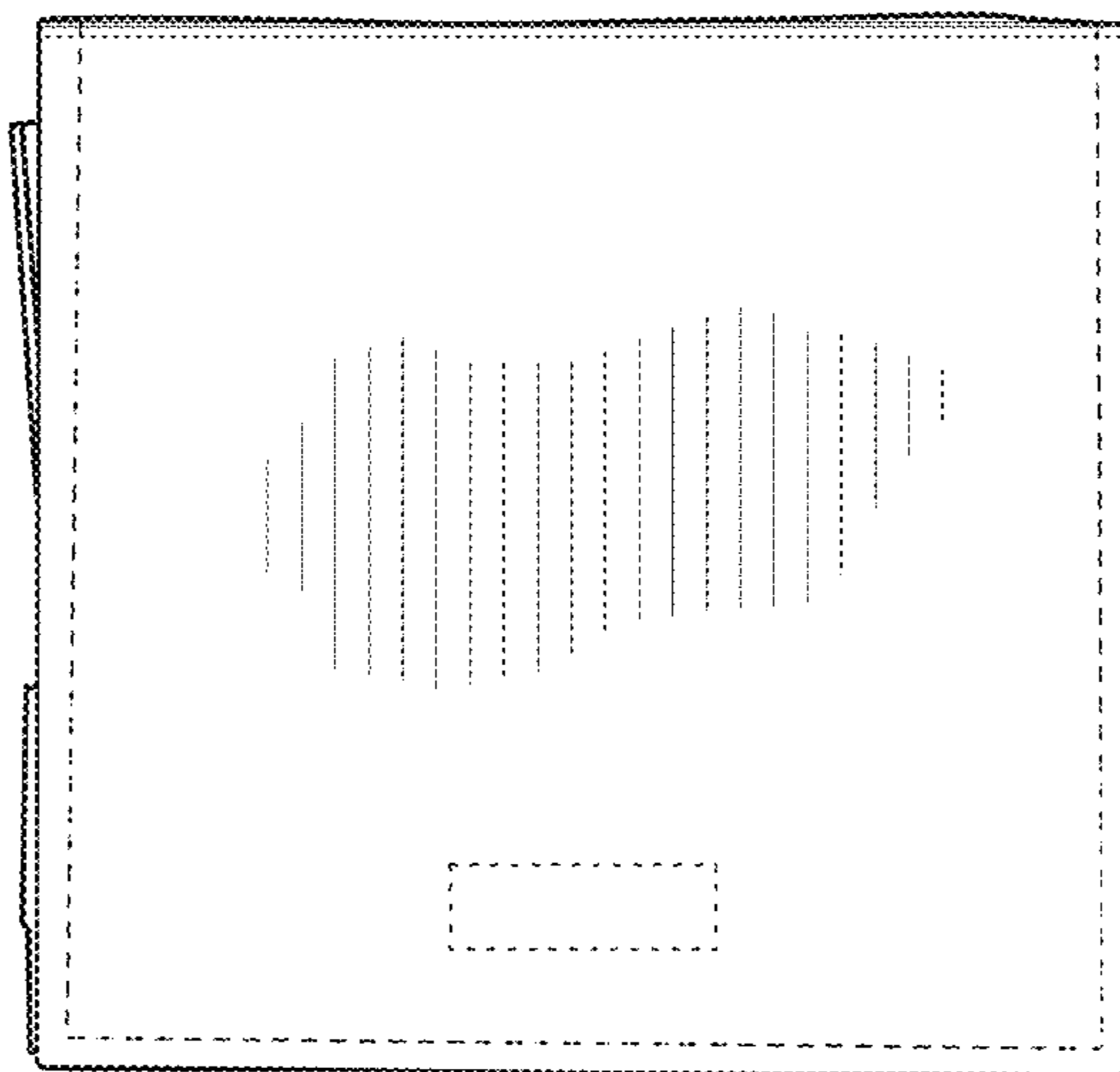


FIG. 3

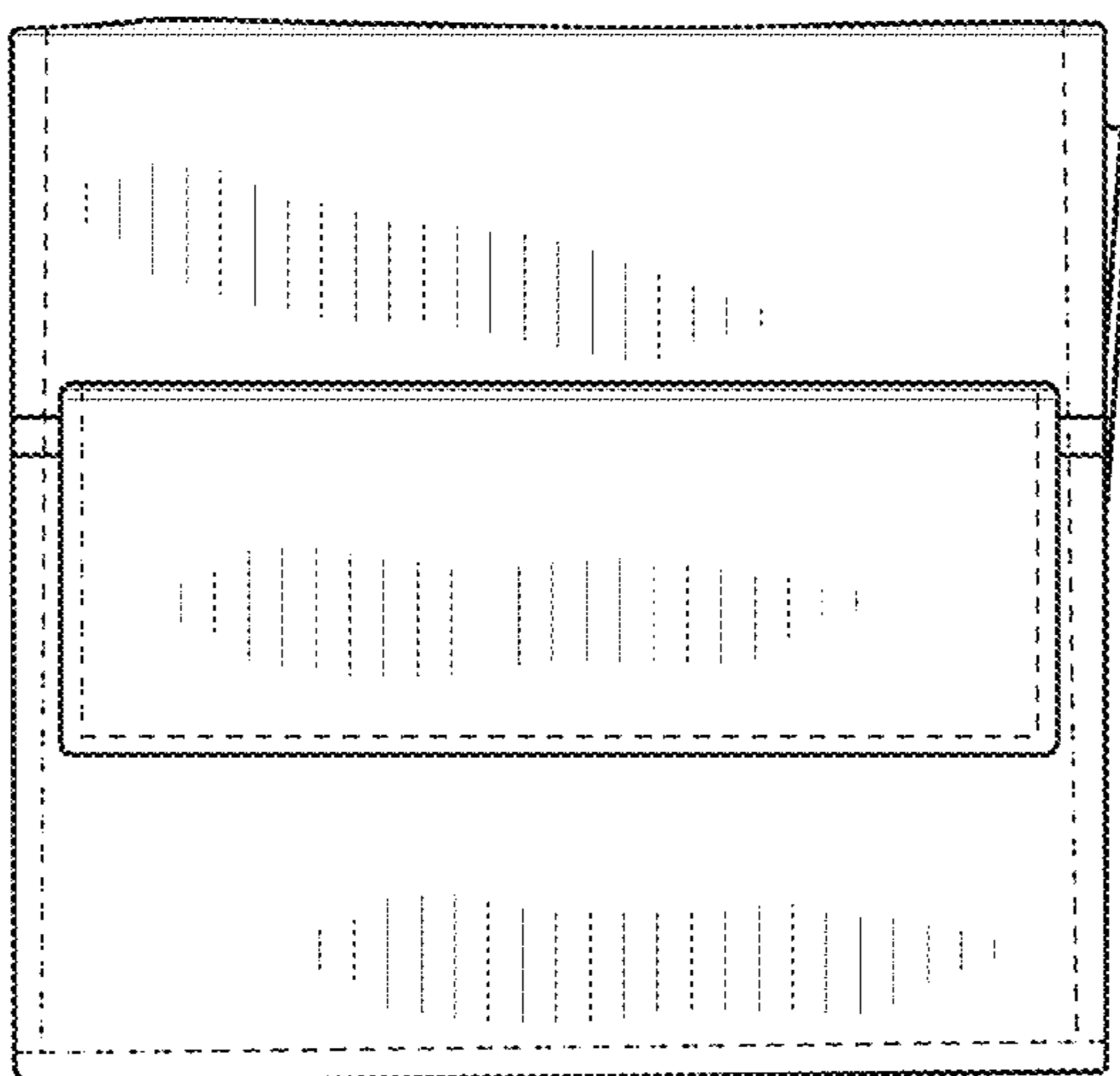


FIG. 4

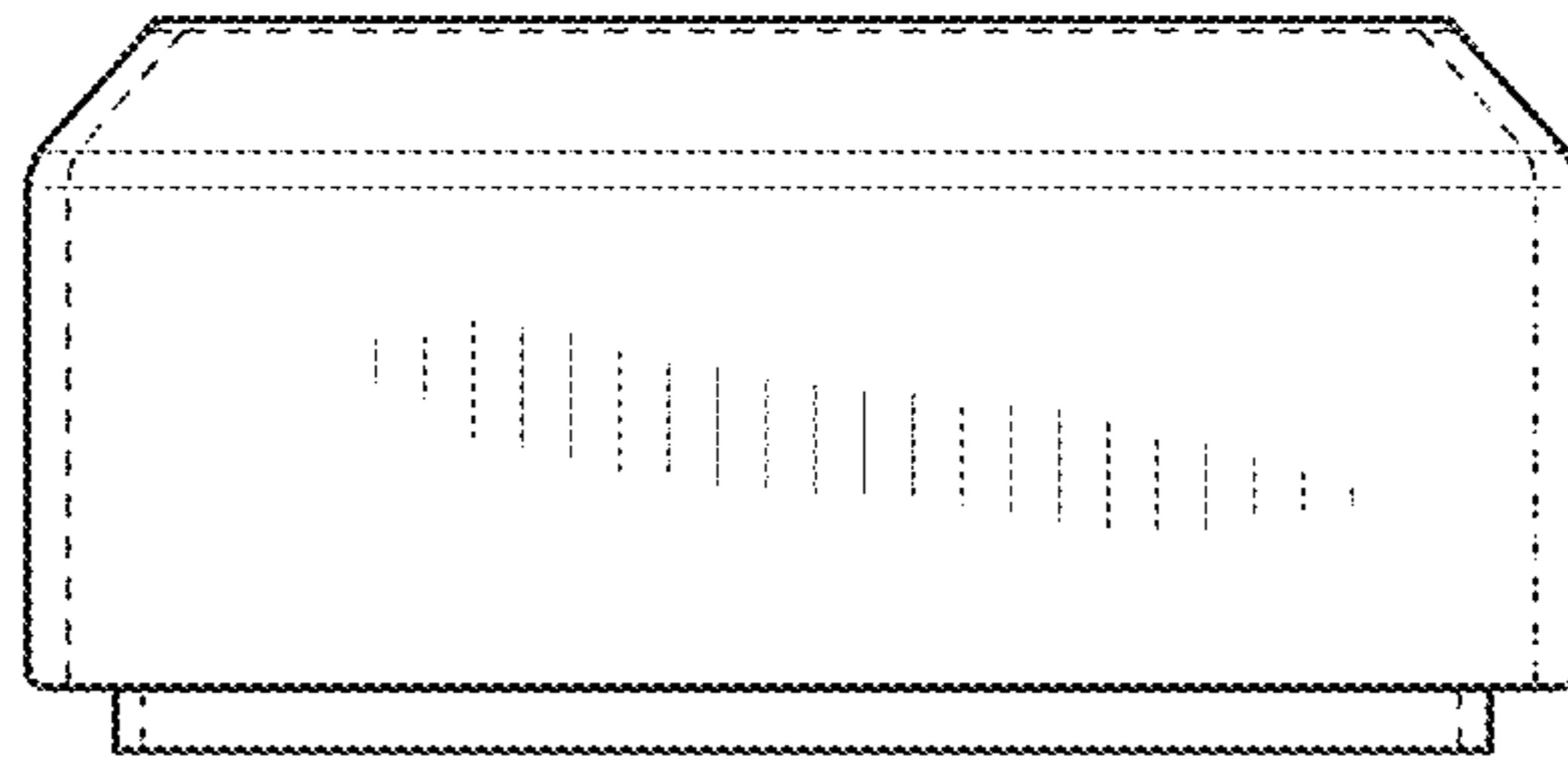


FIG. 5

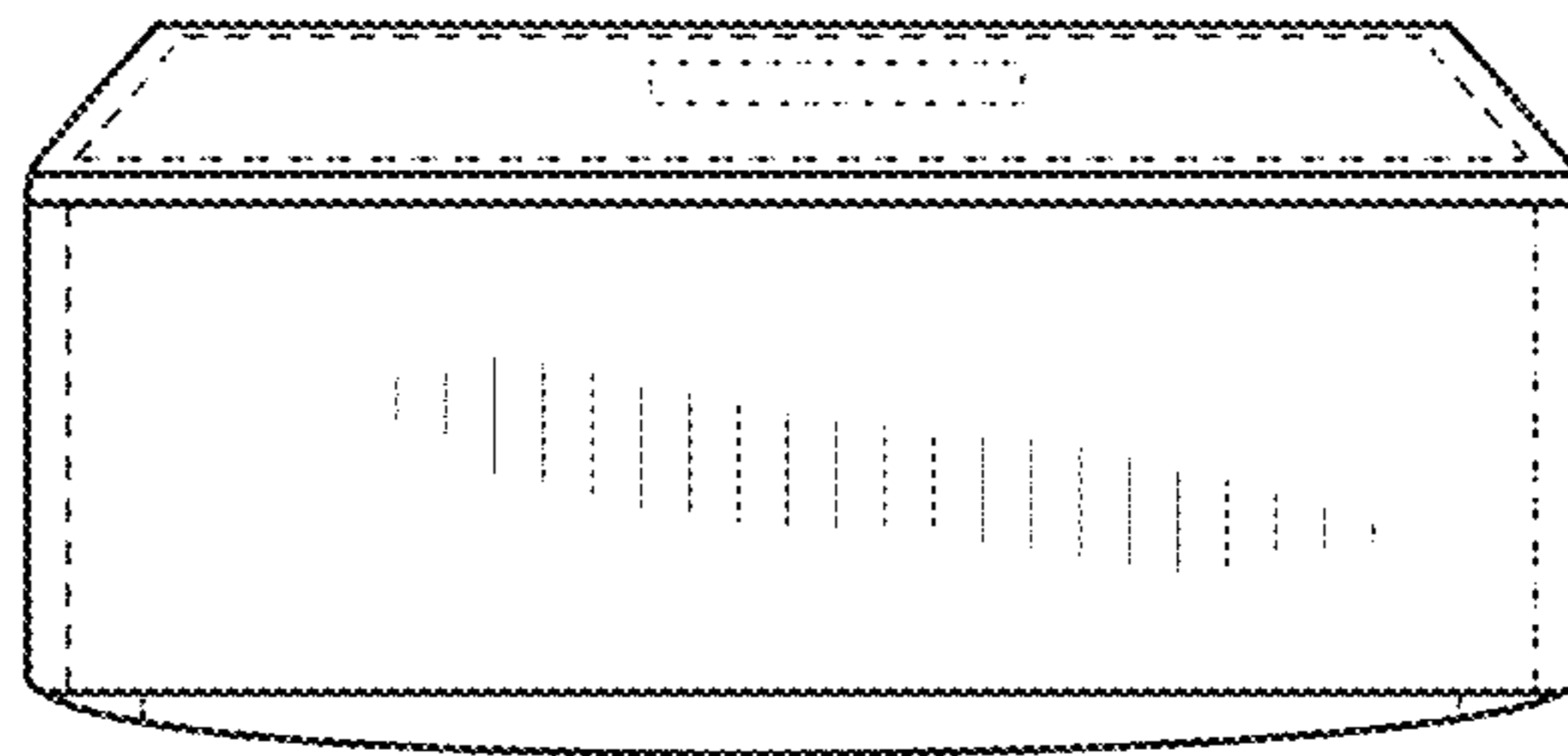


FIG. 6

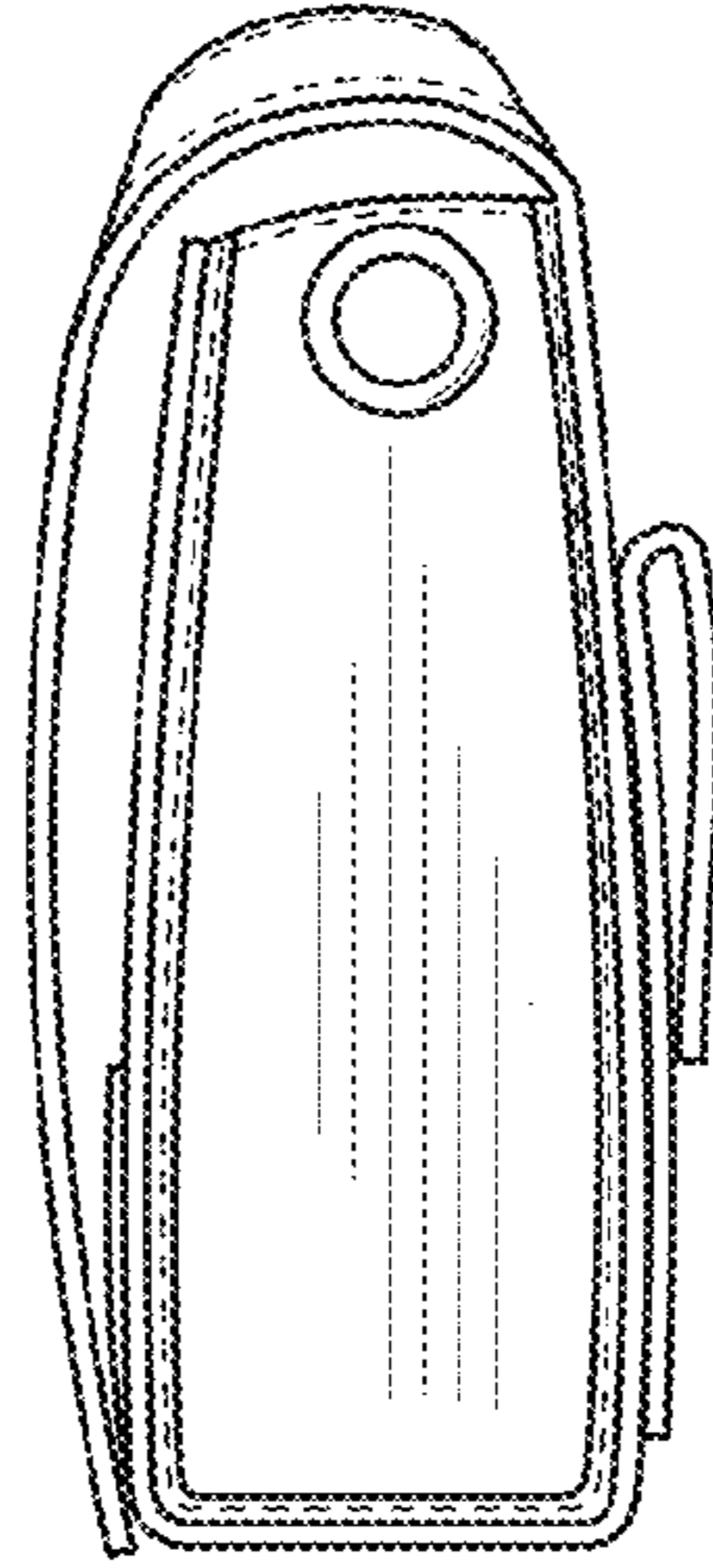


FIG. 7

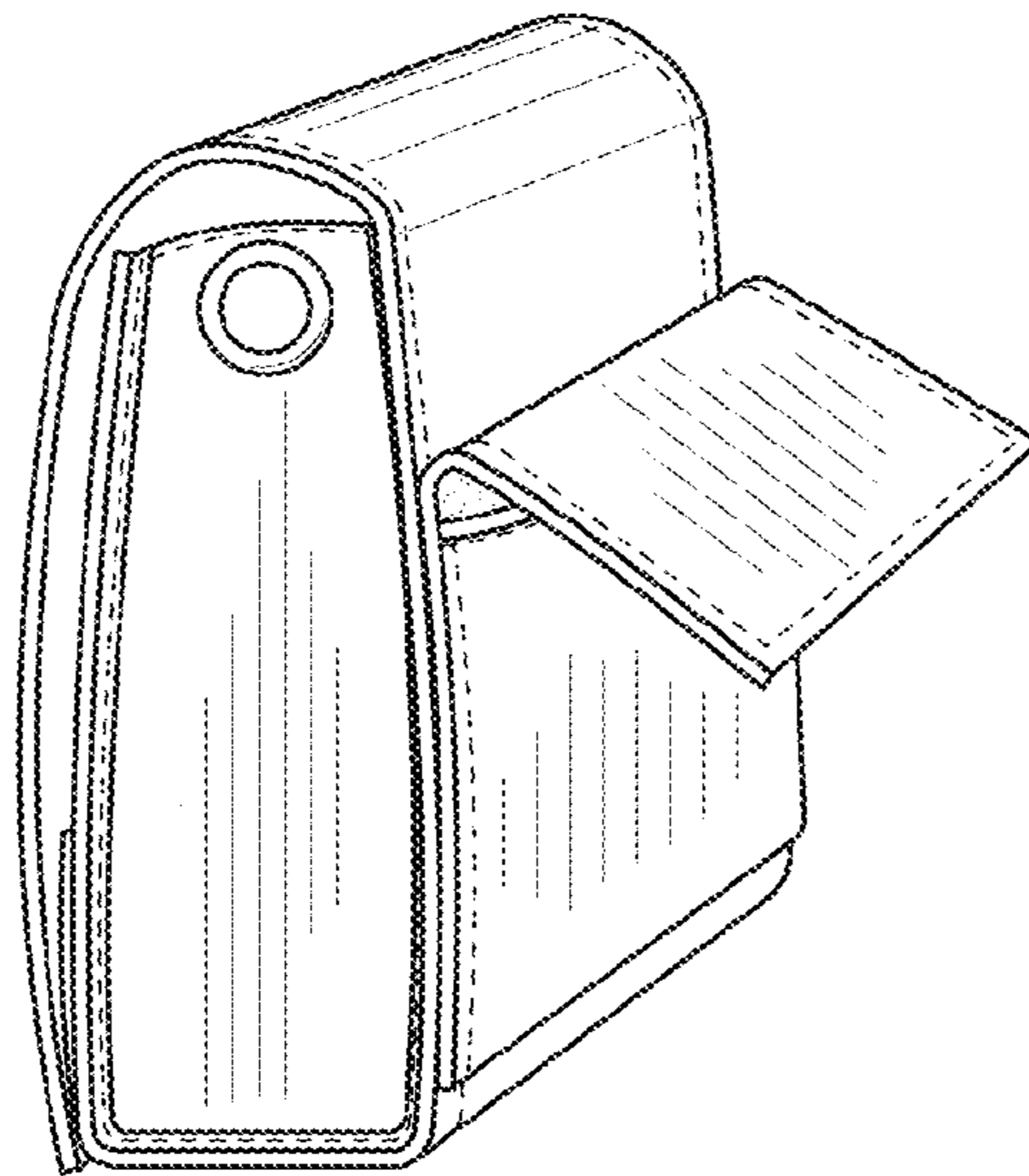


FIG. 8

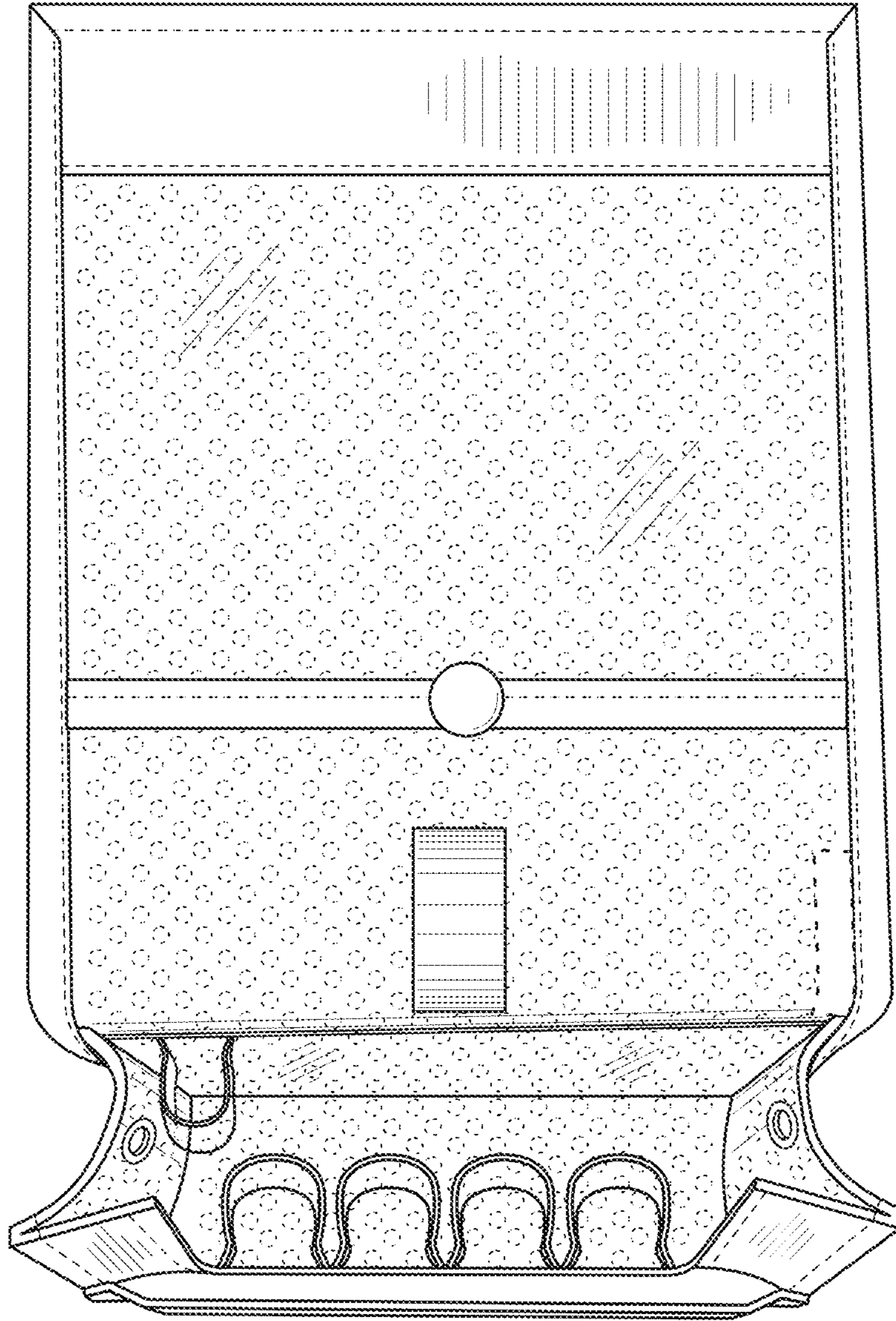


FIG. 9