



US00D708840S

(12) **United States Design Patent**
Pankey et al.

(10) **Patent No.:** **US D708,840 S**
(45) **Date of Patent:** **** Jul. 15, 2014**

(54) **MEDICAL DEVICE CARRYING TOTE**

(71) Applicant: **Medline Industries, Inc.**, Mundelein, IL
(US)

(72) Inventors: **Nicholas D. Pankey**, Chicago, IL (US);
Michael J. Stankiewicz, Des Plaines, IL
(US)

(73) Assignee: **Medline Industries, Inc.**, Mundelein, IL
(US)

(**) Term: **14 Years**

(21) Appl. No.: **29/459,717**

(22) Filed: **Jul. 2, 2013**

Related U.S. Application Data

(62) Division of application No. 29/394,438, filed on Jun.
16, 2011, now Pat. No. Des. 685,177.

(51) **LOC (10) Cl.** **03-01**

(52) **U.S. Cl.**
USPC **D3/203.1**

(58) **Field of Classification Search**
USPC D3/201–205, 232–234, 269;
206/528–540; 383/6, 117–118

See application file for complete search history.

(56) **References Cited**

U.S. PATENT DOCUMENTS

D421,178 S * 2/2000 Dandini D3/233
D433,807 S * 11/2000 Vazquez D3/303
D632,481 S * 2/2011 Detwiler D3/233

* cited by examiner

Primary Examiner — Catheri Oliver-Garcia

(74) *Attorney, Agent, or Firm* — McAndrews Held &
Malloy, Ltd.

(57) **CLAIM**

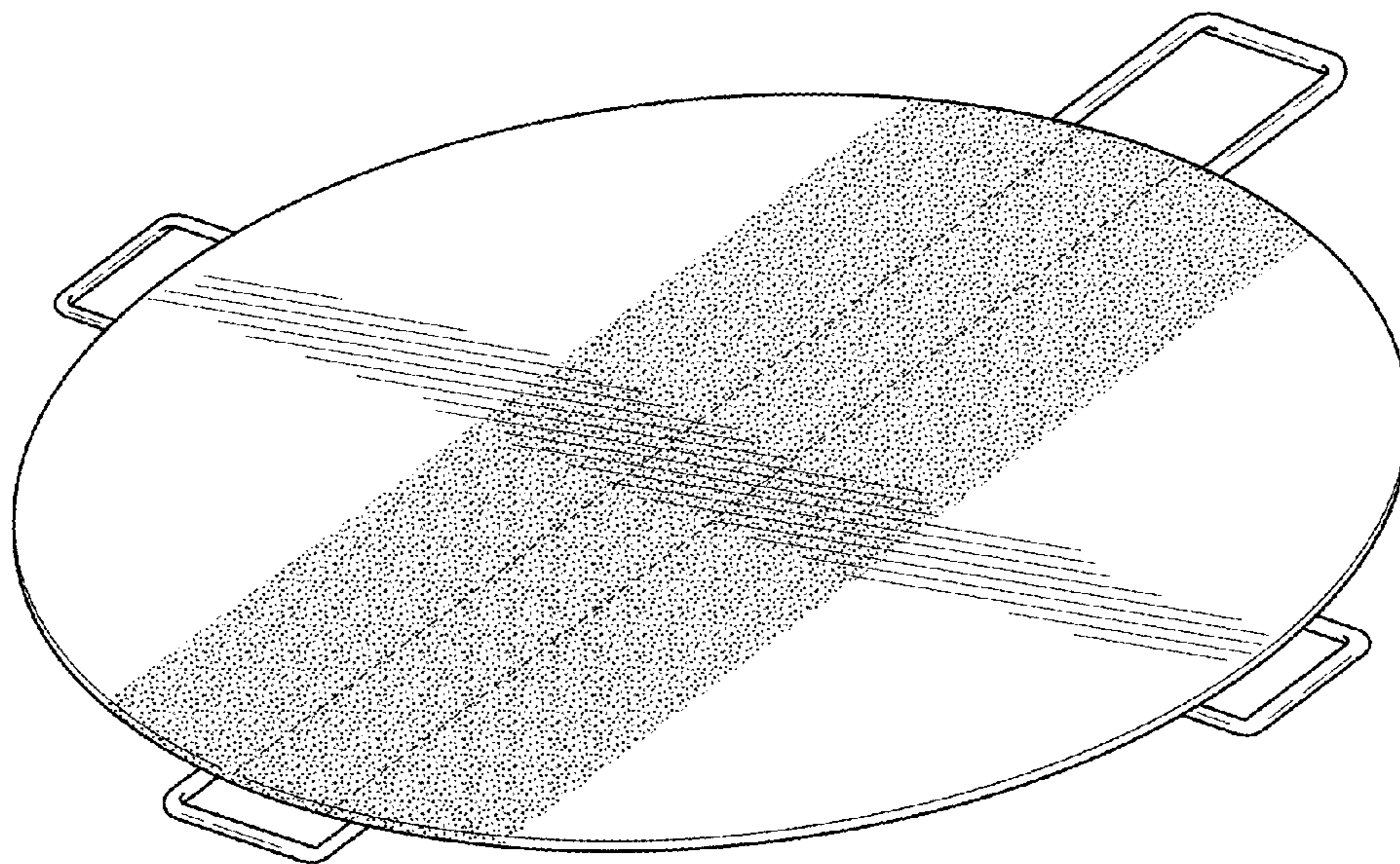
The ornamental design for a medical device carrying tote, as
shown and described.

DESCRIPTION

FIG. 1 is a front right top perspective view of an embodiment
of our new design for a medical device carrying tote;
FIG. 2 is a right-side elevation thereof;
FIG. 3 is a top plan view thereof;
FIG. 4 is bottom elevation view thereof;
FIG. 5 is a rear elevation view thereof;
FIG. 6 is a front right top perspective view of a further
embodiment of our new design for a medical device carrying
tote;
FIG. 7 is a right-side elevation thereof;
FIG. 8 is a top plan view thereof;
FIG. 9 is bottom elevation view thereof; and,
FIG. 10 is a rear elevation view thereof.

The broken lines in the drawings are included for the purpose
of illustrating environmental subject matter and form no part
of the claimed design.

1 Claim, 4 Drawing Sheets



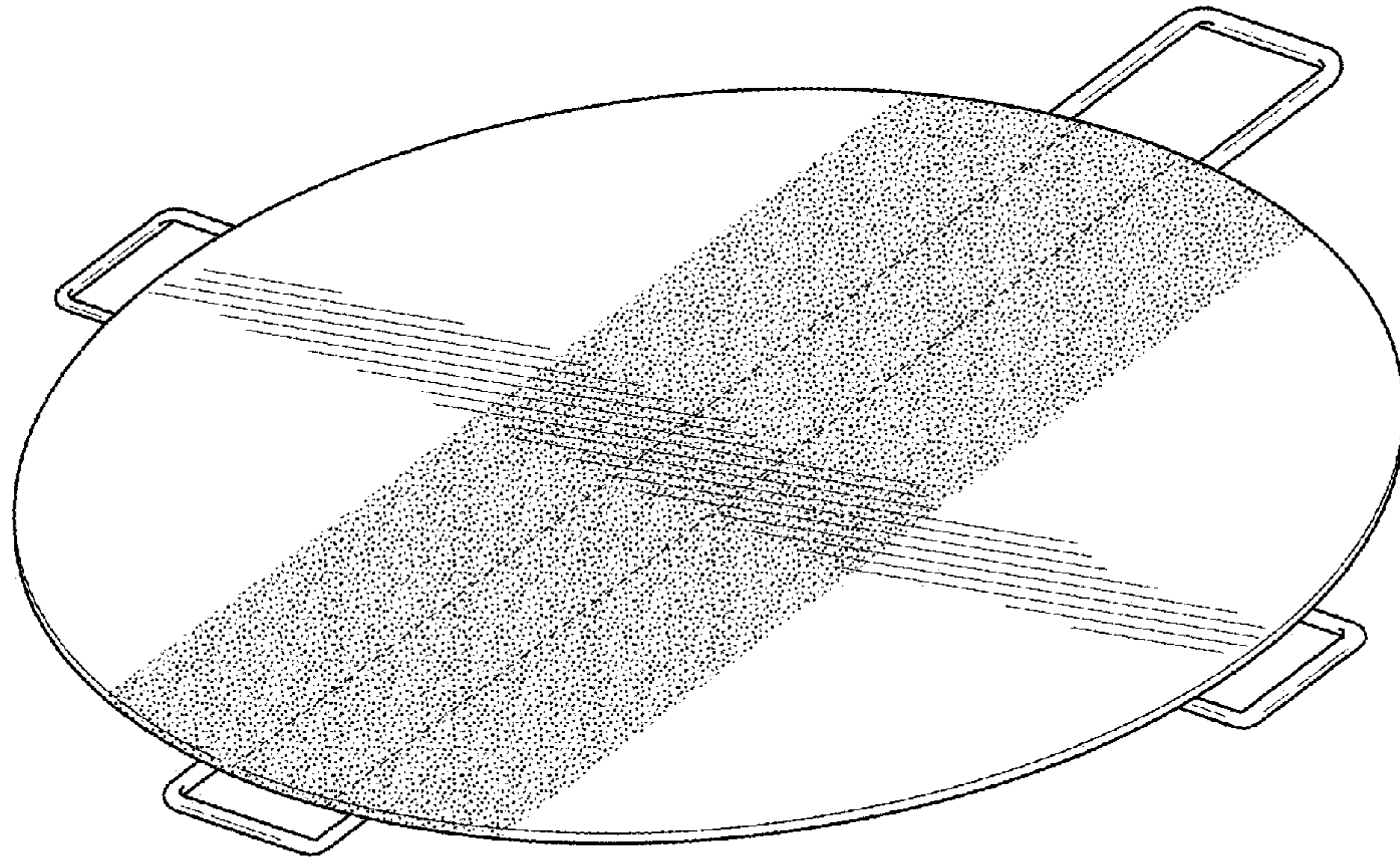


FIG. 1

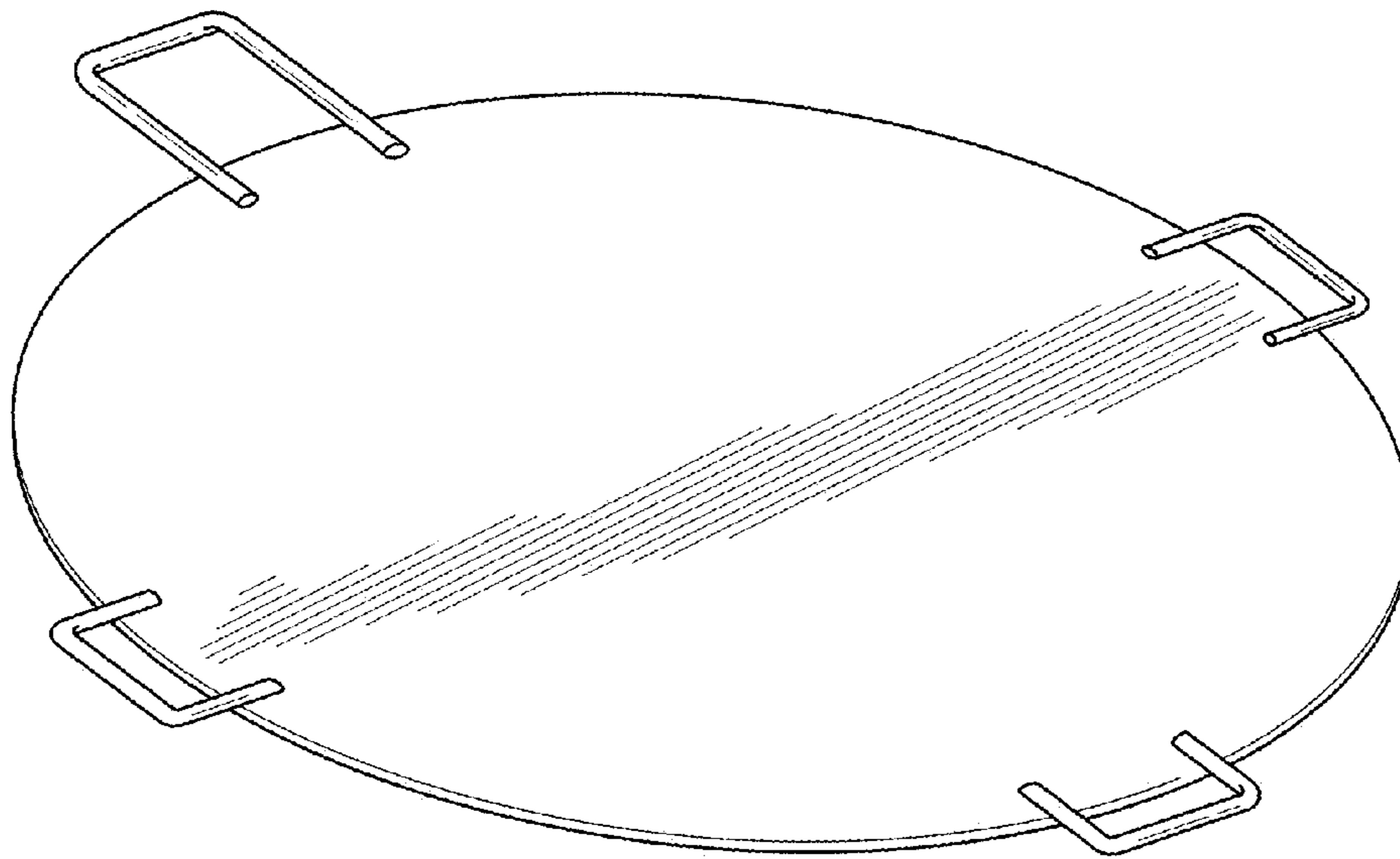


FIG. 2

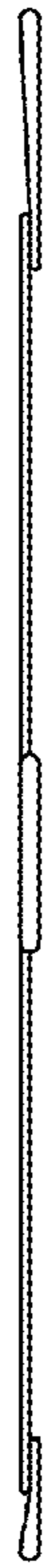


FIG. 3

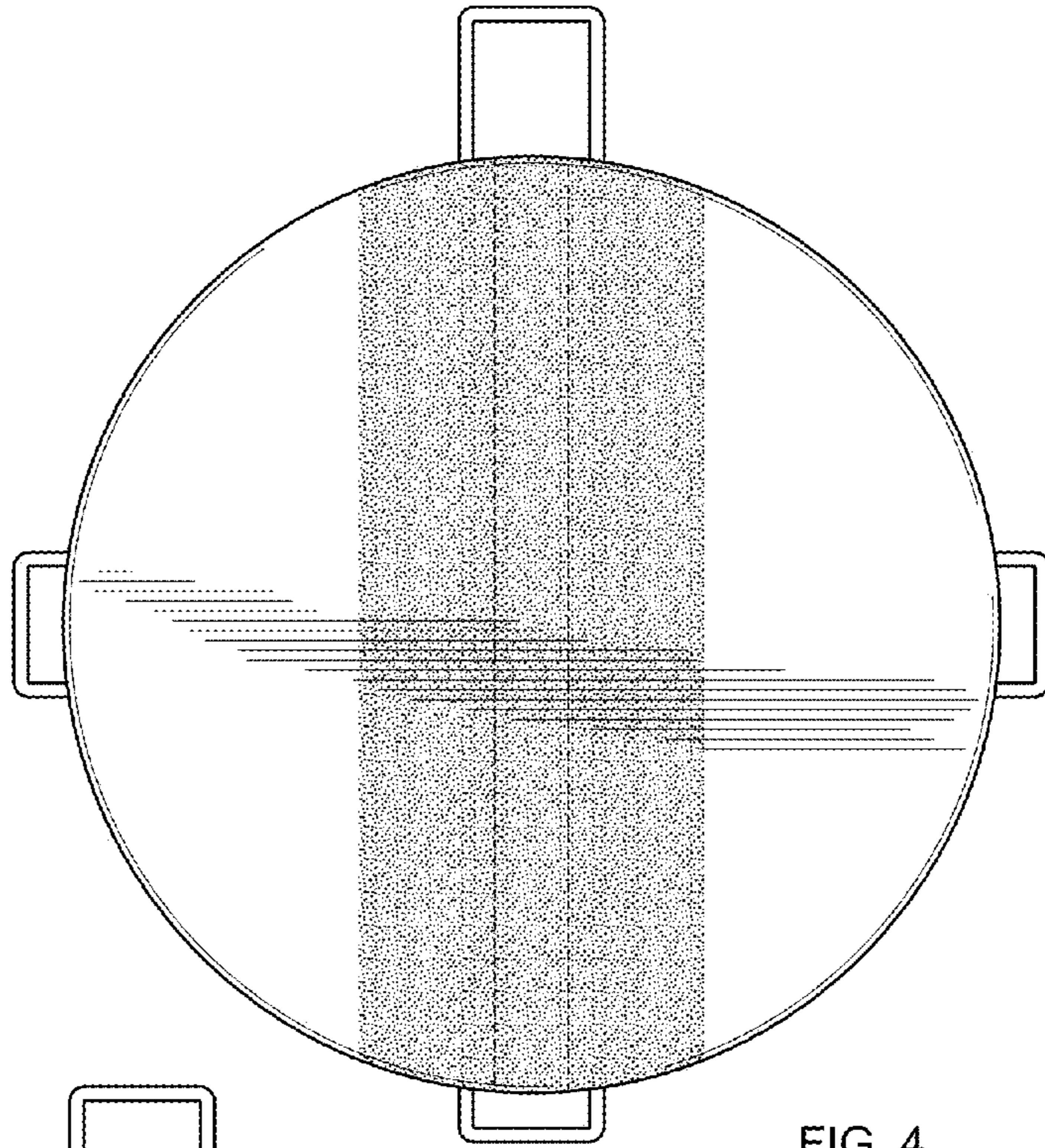


FIG. 4

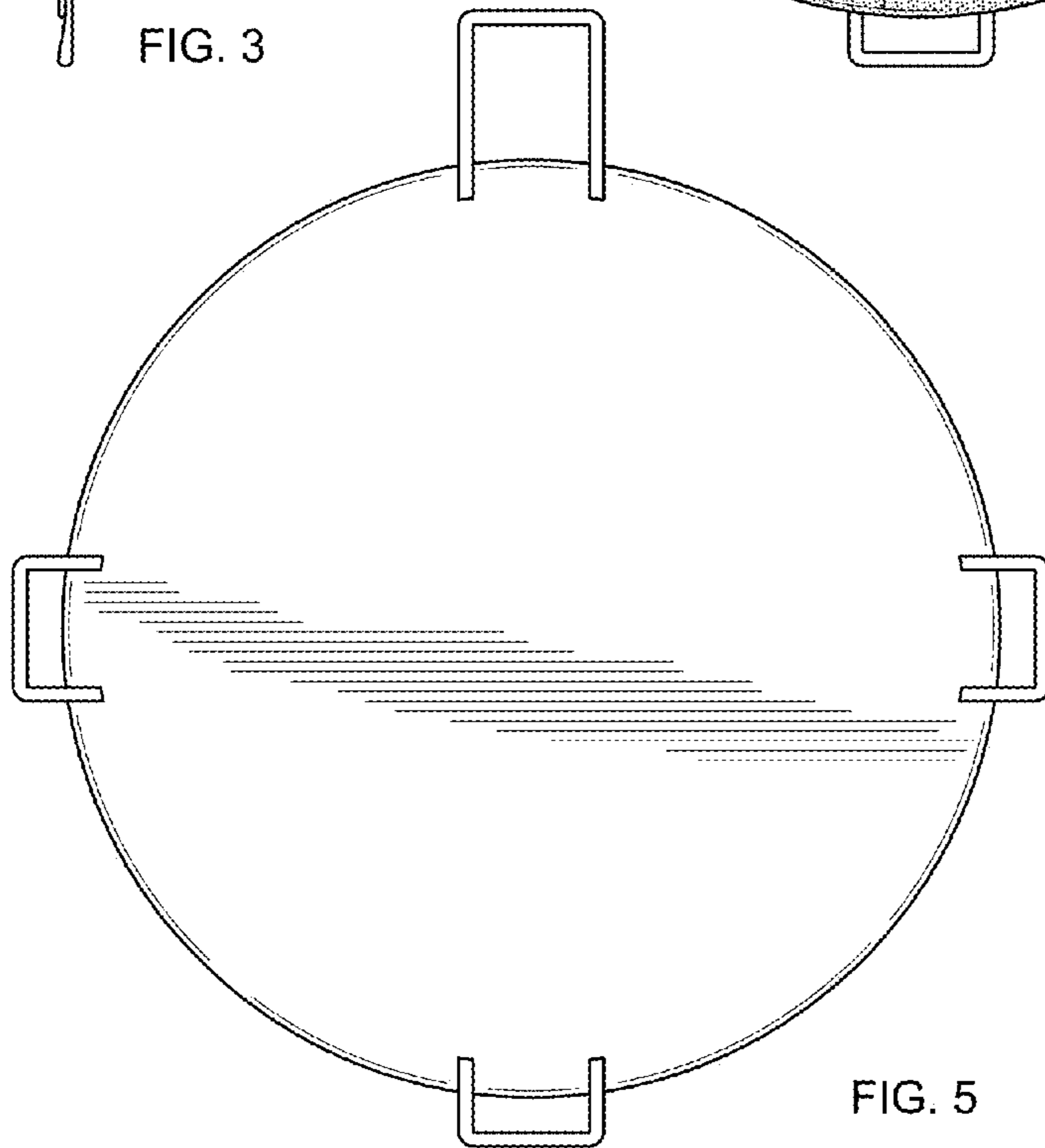


FIG. 5

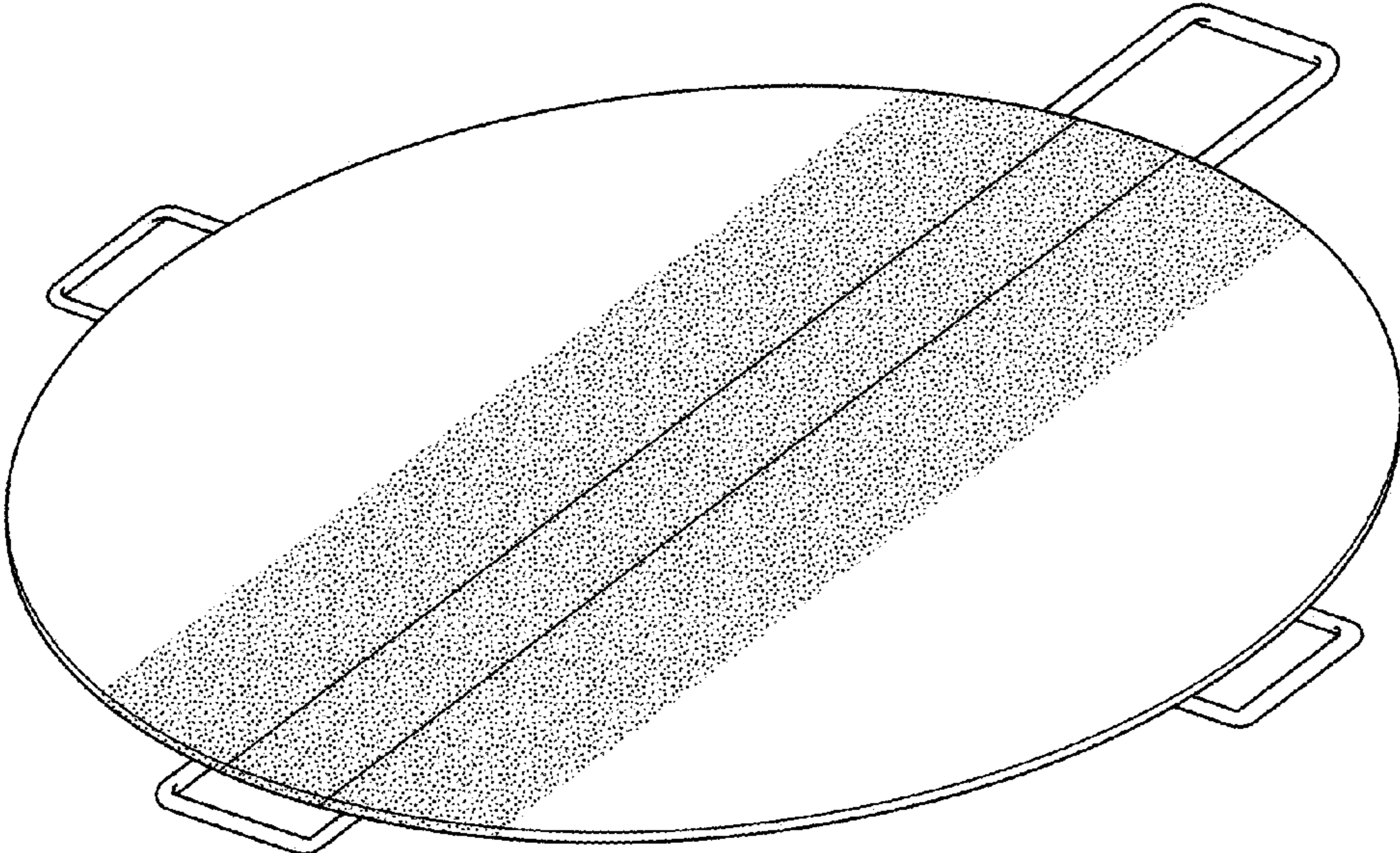


FIG. 6

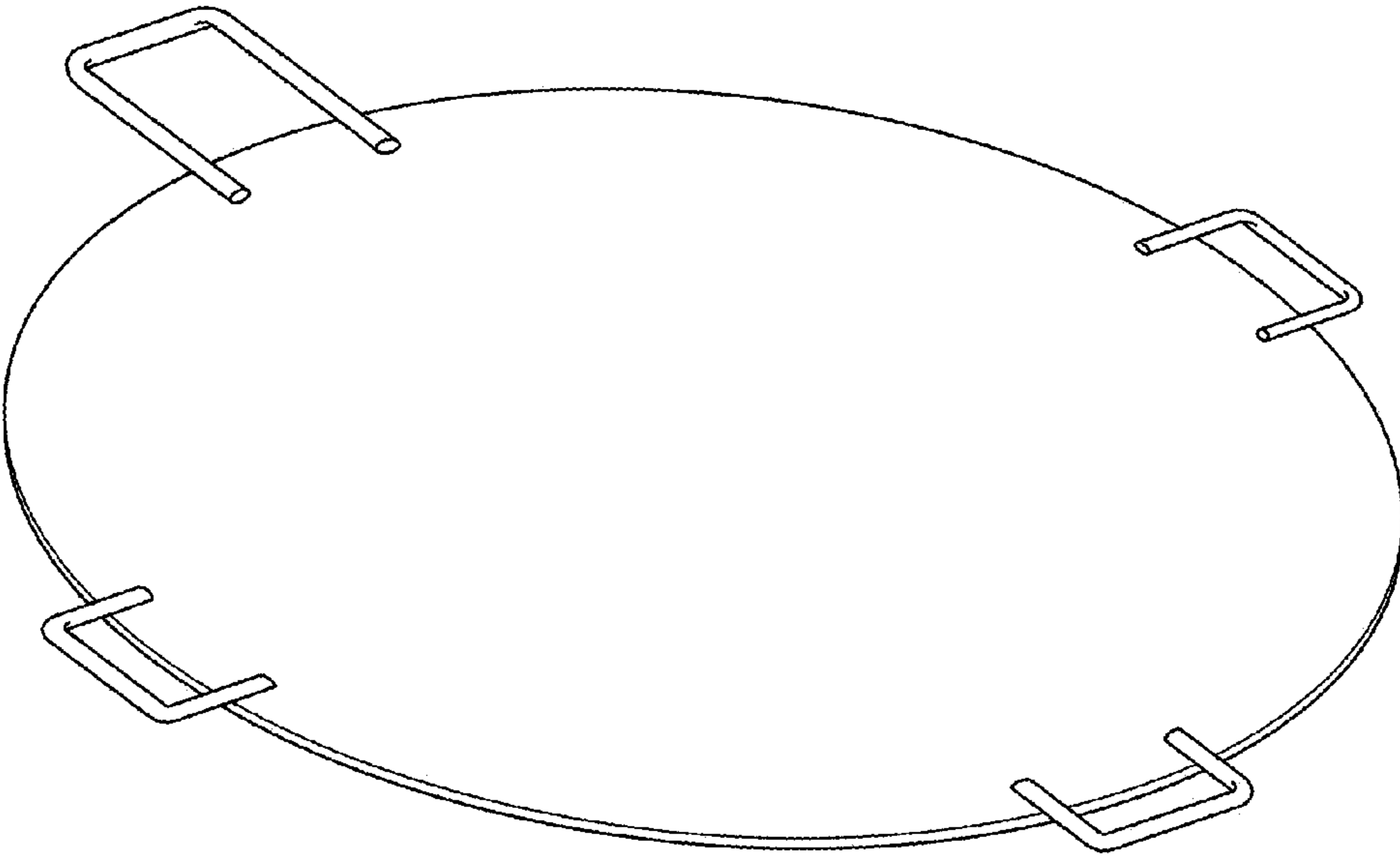


FIG. 7



FIG. 8

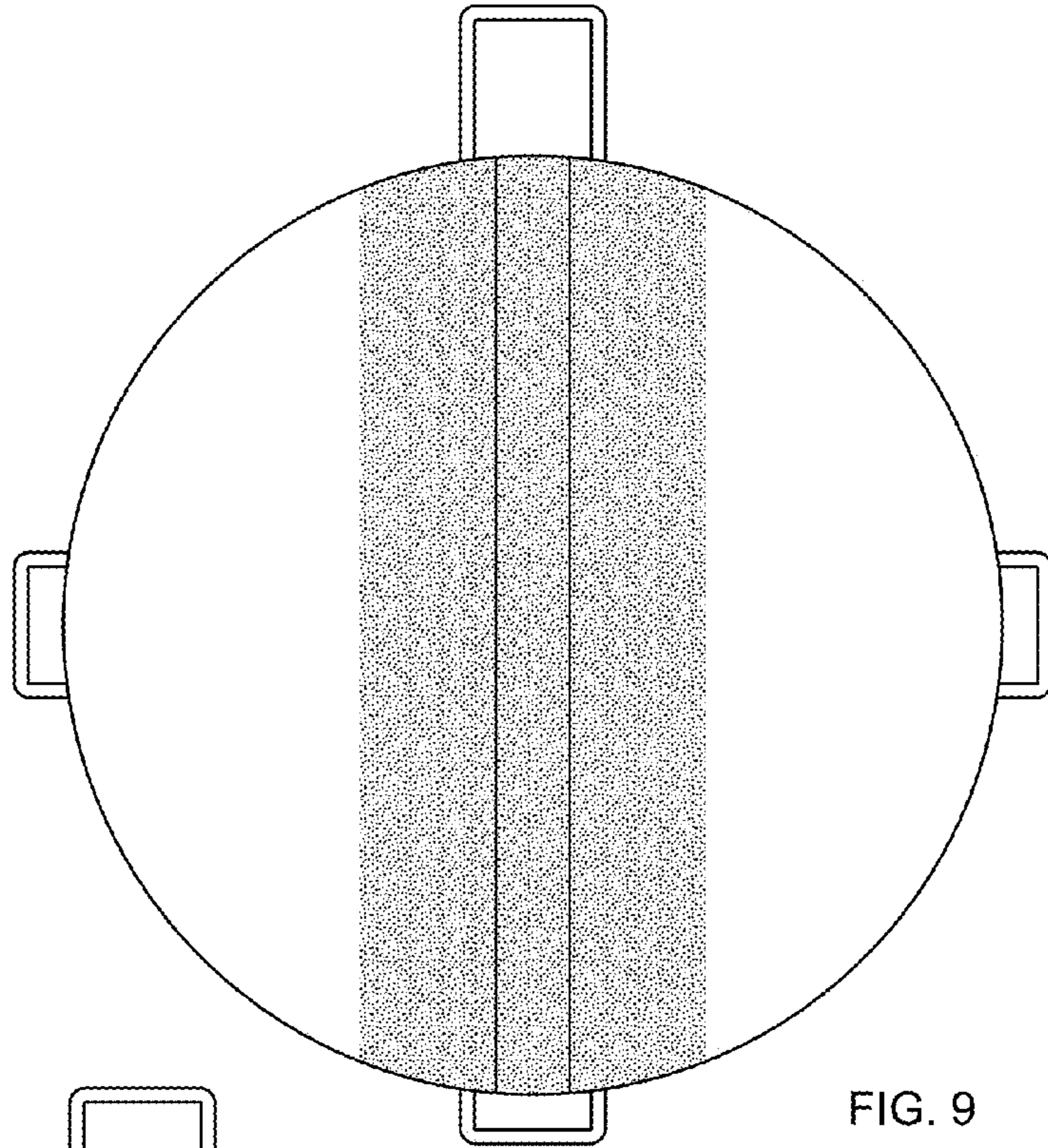


FIG. 9

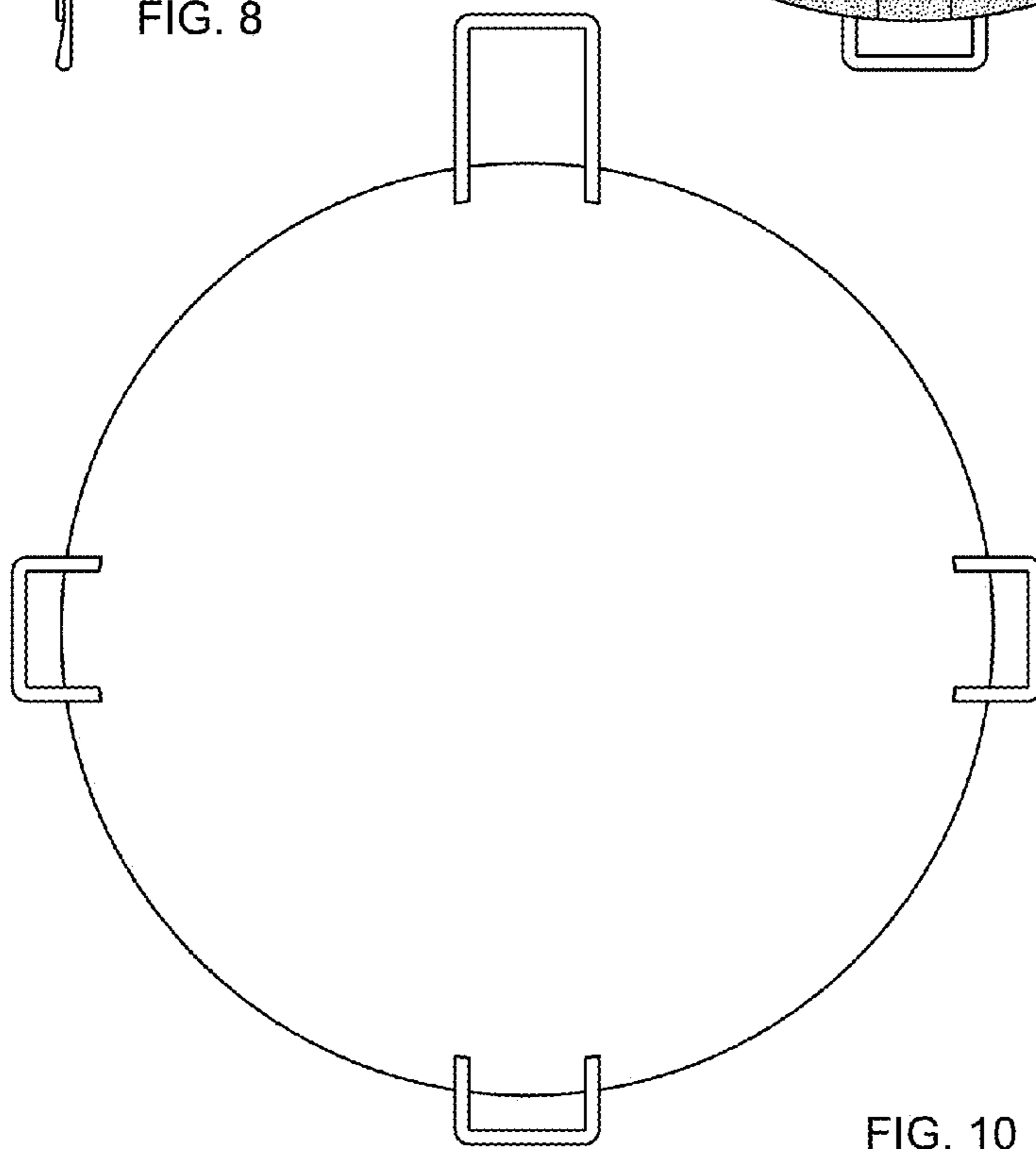


FIG. 10