



US00D708839S

(12) **United States Design Patent**
Lee

(10) **Patent No.:** **US D708,839 S**
(45) **Date of Patent:** **** Jul. 15, 2014**

(54) **PROTECTING CASE FOR PORTABLE ELECTRONIC DEVICE**

(75) Inventor: **Chueh Lee, Tu-Cheng (TW)**

(73) Assignee: **Chi Mei Communication Systems, Inc., New Taipei (TW)**

(**) Term: **14 Years**

(21) Appl. No.: **29/426,850**

(22) Filed: **Jul. 11, 2012**

(30) **Foreign Application Priority Data**

Apr. 27, 2012 (TW) 101302398 A

(51) **LOC (10) Cl.** **03-01**

(52) **U.S. Cl.**
USPC **D3/201; D14/440**

(58) **Field of Classification Search**
CPC A47G 29/00; F16M 11/10; A47F 5/112;
A47B 23/042; H04B 1/3888
USPC D3/10, 201, 218, 215, 273, 276, 280,
D3/283–293, 299, 300, 301, 302, 303;
190/100–127, 900–903; 150/106–108,
150/110–112, 118, 127–130; 206/320;
D14/250, 251, 253, 240, 217, 496,
D14/203.3, 203.4, 203.5, 203.8, 440, 238.1,
D14/432, 439, 300; 361/679.56; 455/575.8;
292/342, 343; 248/371, 152, 174, 459
See application file for complete search history.

(56) **References Cited**

U.S. PATENT DOCUMENTS

D251,082 S * 2/1979 Petrie D3/247
D487,551 S * 3/2004 Lee D6/582
7,037,021 B2 * 5/2006 Raschke 402/79
D544,922 S * 6/2007 Shaffer D20/10
D578,129 S * 10/2008 Weber D14/440
D658,186 S * 4/2012 Akana et al. D14/440
D658,187 S * 4/2012 Diebel D14/440

D658,188 S * 4/2012 Diebel D14/440
8,424,829 B2 * 4/2013 Lu et al. 248/371
D691,142 S * 10/2013 Diebel D14/440
D691,143 S * 10/2013 Diebel D14/440
D696,256 S * 12/2013 Piedra et al. D14/440
2008/0167095 A1 * 7/2008 Kim et al. 455/575.3

* cited by examiner

Primary Examiner — Thomas Johannes

Assistant Examiner — Holly E Thurman

(74) *Attorney, Agent, or Firm* — Novak Druce Connolly
Bove + Quigg LLP

(57) **CLAIM**

I claim the ornamental design for a protecting case for portable electronic device, as shown and described.

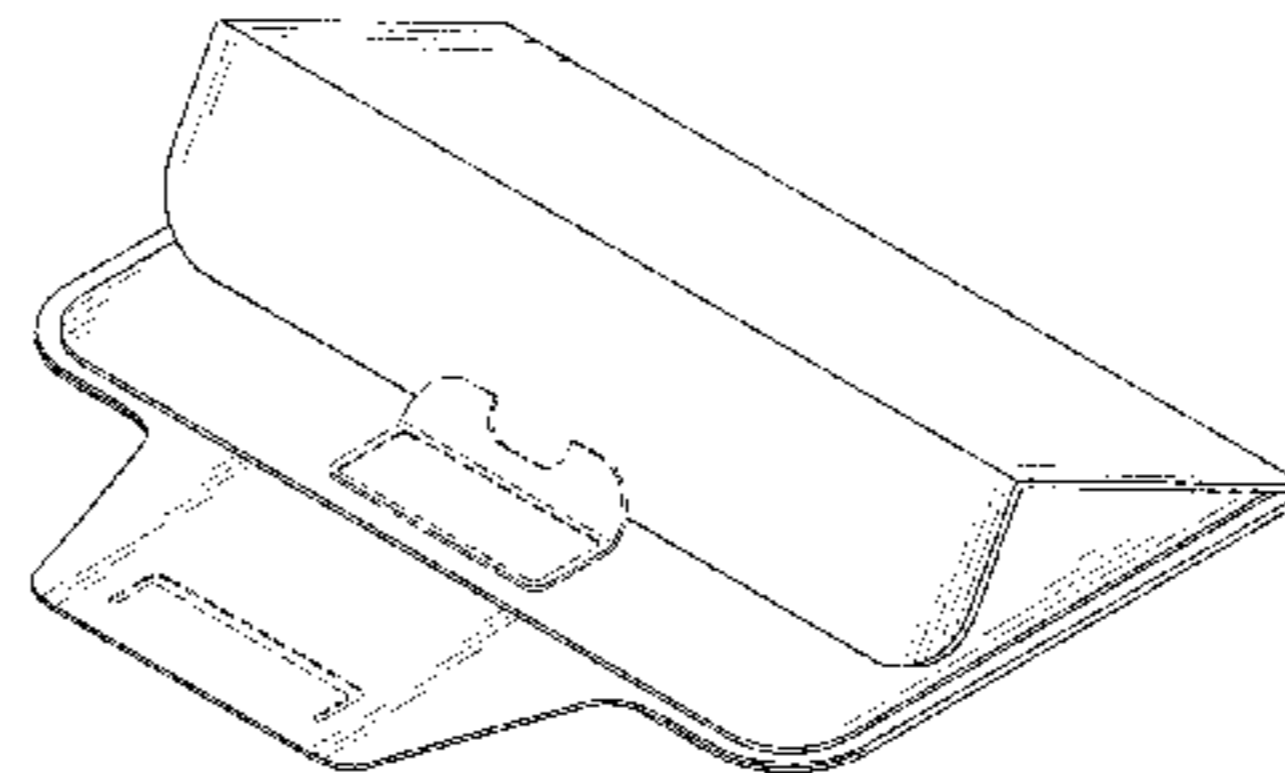
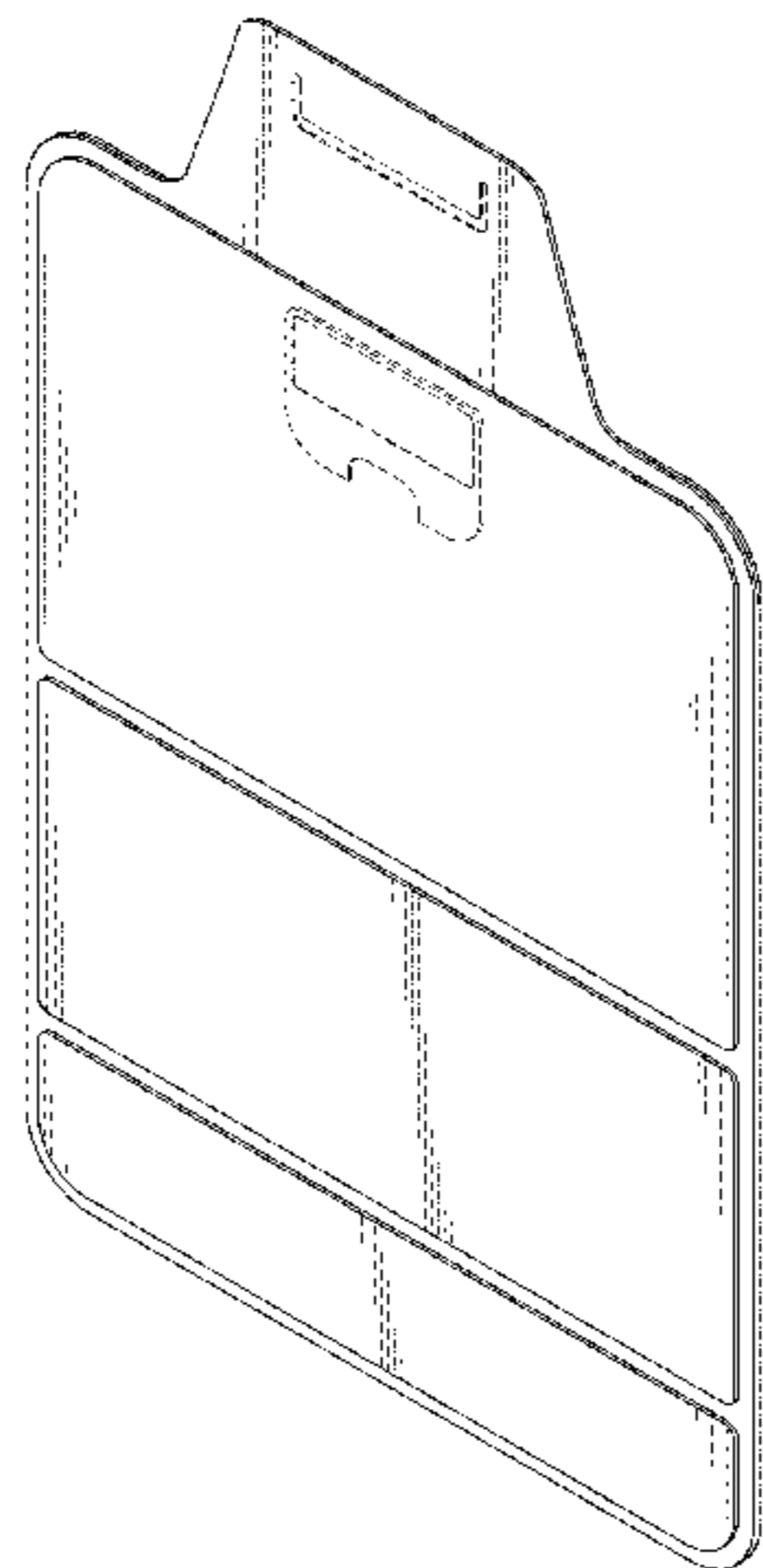
DESCRIPTION

This application is related to co-pending U.S. patent application Ser. No. 29/426,846, entitled “Protecting Case for Portable Electronic Device”. Such applications have the same assignee as the present application. The above-identified applications are incorporated herein by reference.

FIG. 1 is a perspective view of a protecting case for portable electronic device showing my new design;
FIG. 2 is a front elevational view thereof;
FIG. 3 is a rear elevational view thereof;
FIG. 4 is a left side elevational view thereof;
FIG. 5 is a right side elevational view thereof;
FIG. 6 is a top plan view thereof;
FIG. 7 is a bottom plan view thereof;
FIG. 8 is a perspective view from a different angle thereof;
FIG. 9 is a perspective view in a folded state thereof;
FIG. 10 is a perspective view as shown in FIG. 9 supporting a portable electronic device; and,
FIG. 11 is a perspective view as shown in FIG. 9 supporting a portable electronic device in an alternate position.

The broken lines of all the figures are for the purpose of depicting unclaimed environment and forms no part of the claimed design.

1 Claim, 11 Drawing Sheets



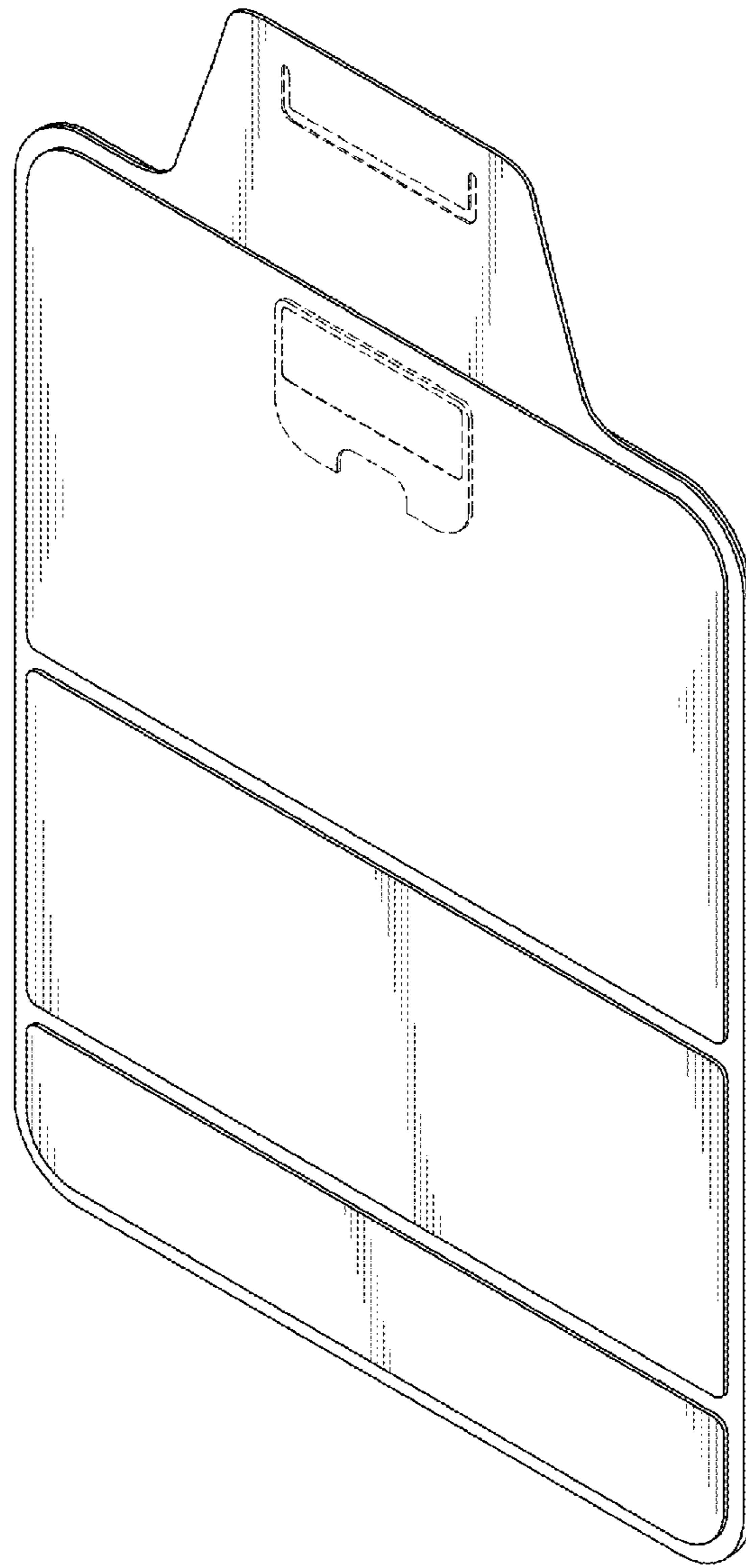


FIG. 1

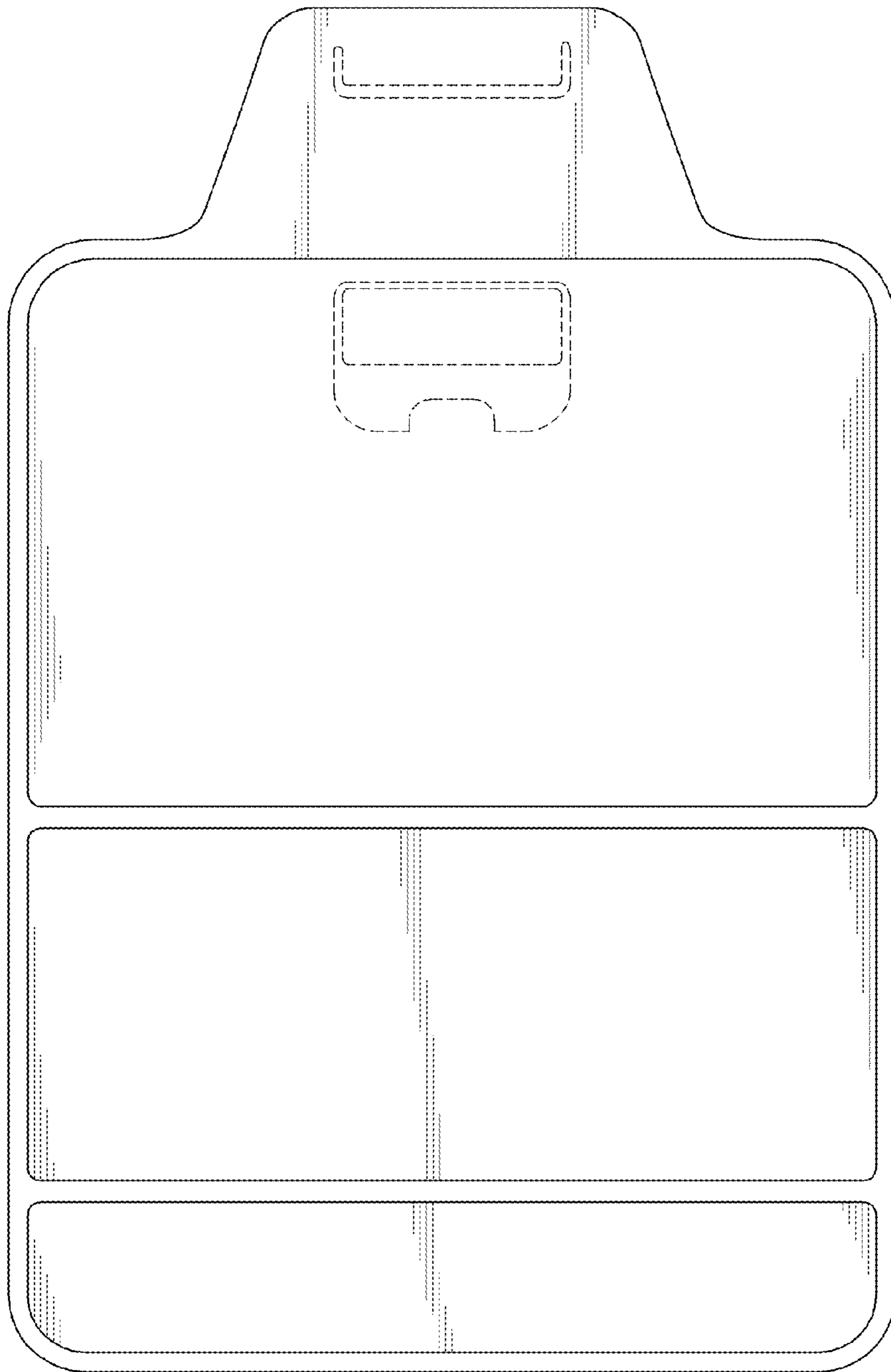


FIG. 2

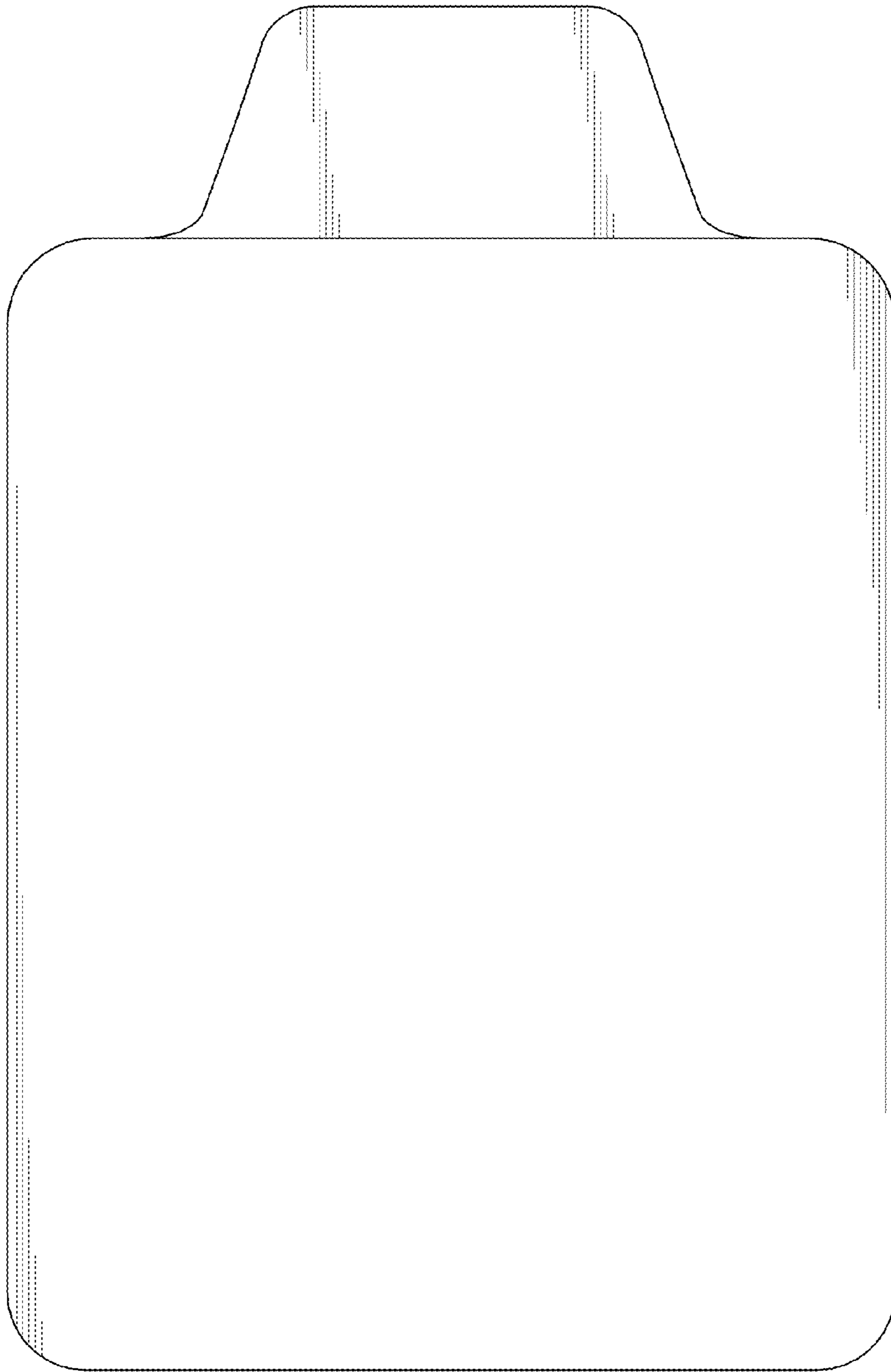


FIG. 3

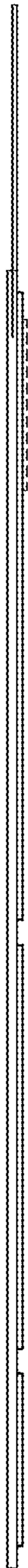


FIG. 4



FIG. 5

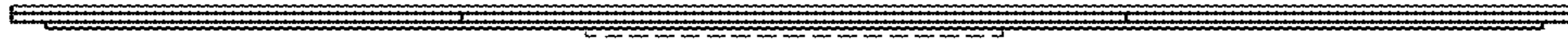


FIG. 6

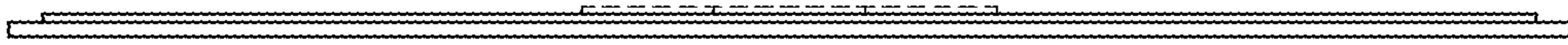


FIG. 7

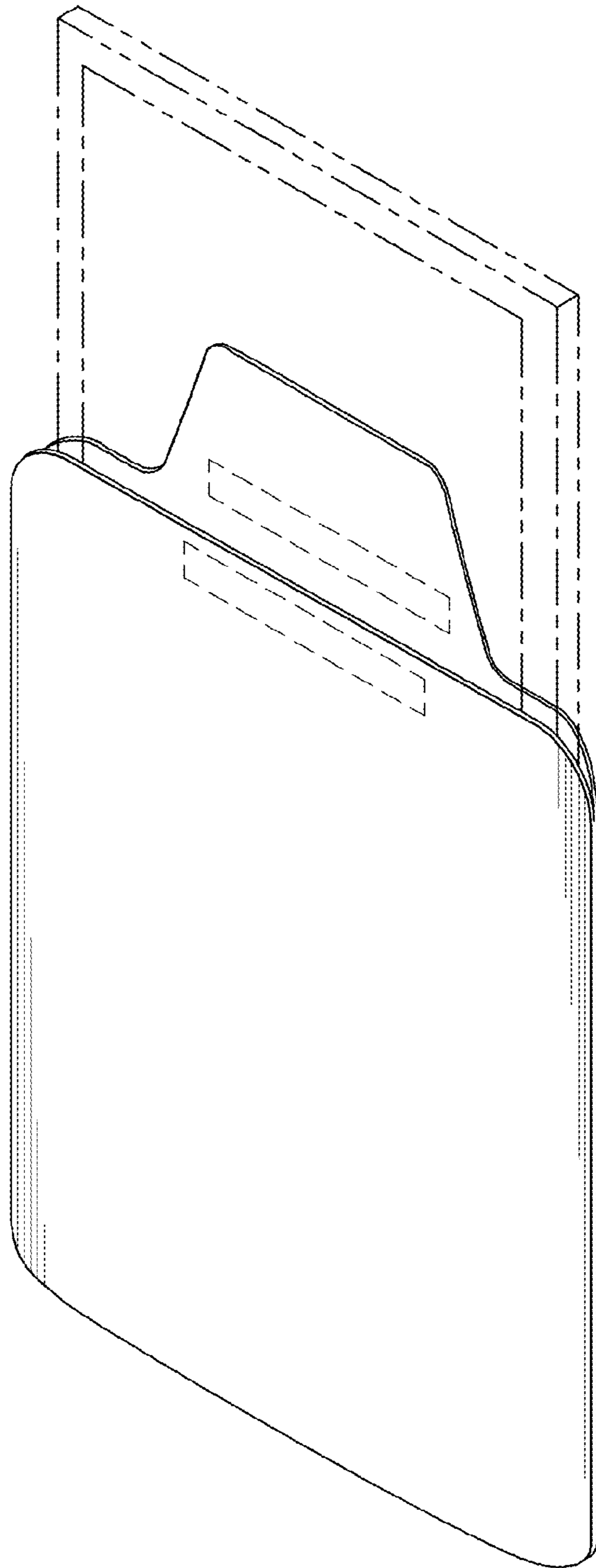


FIG. 8

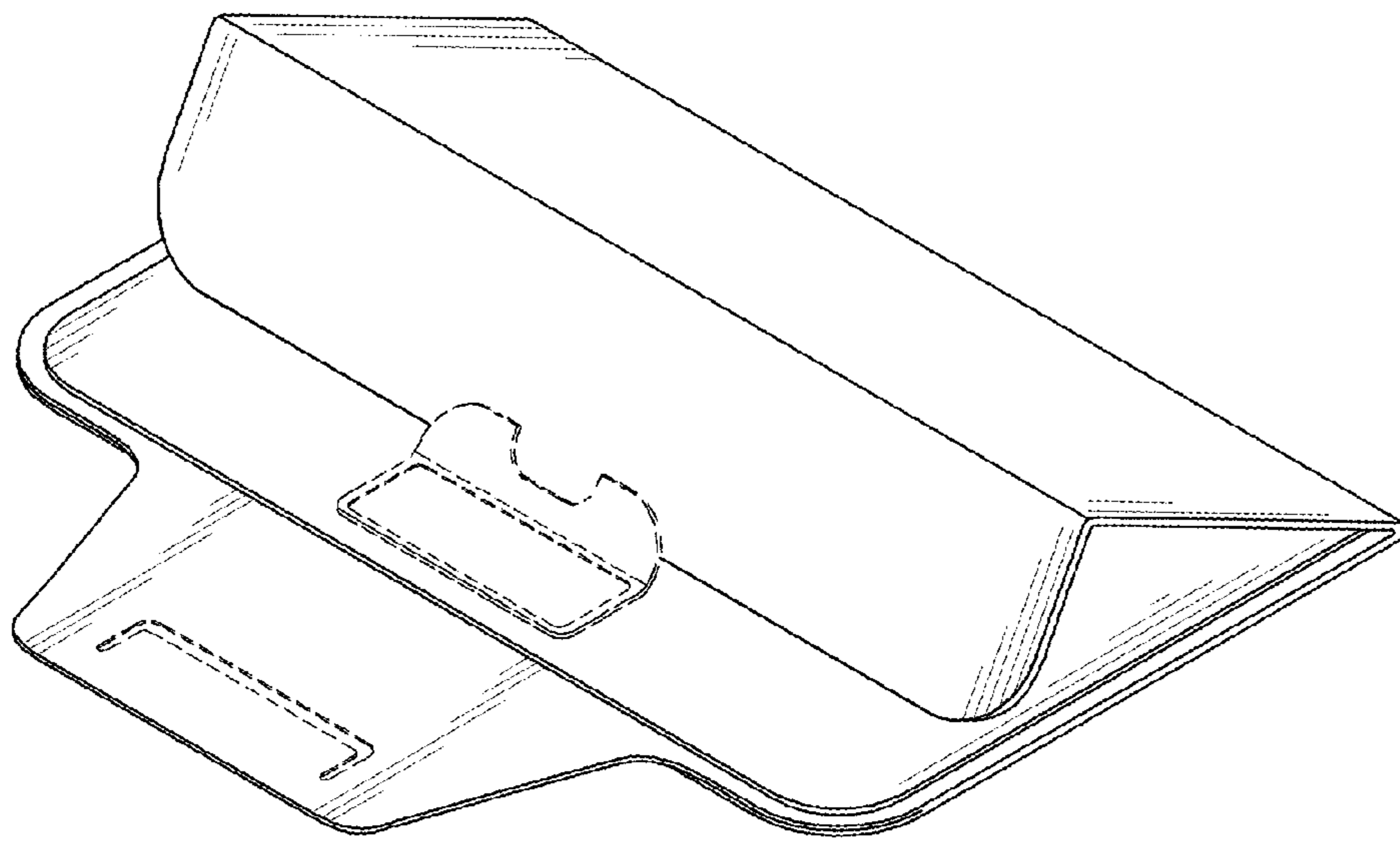


FIG. 9

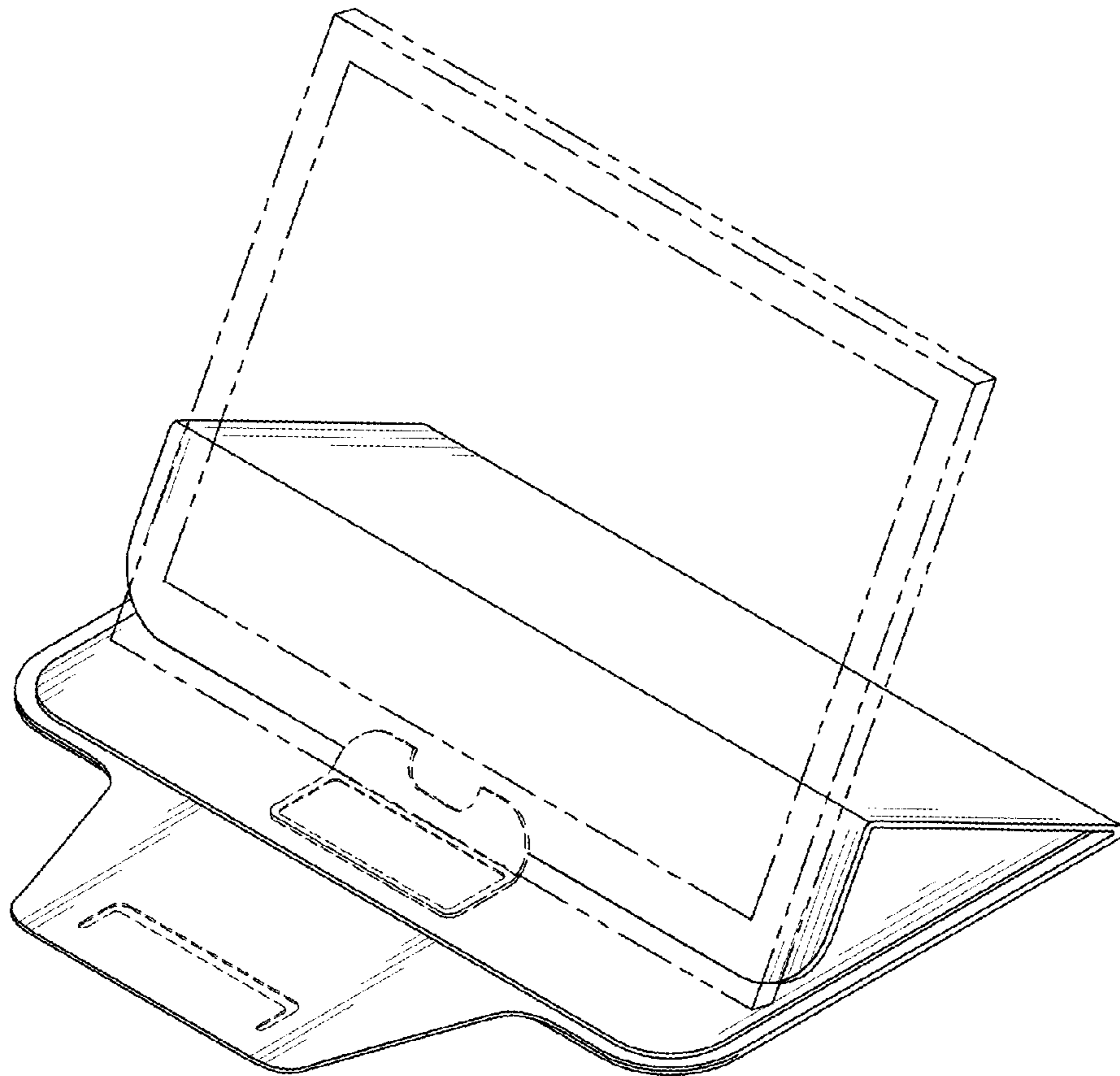


FIG. 10

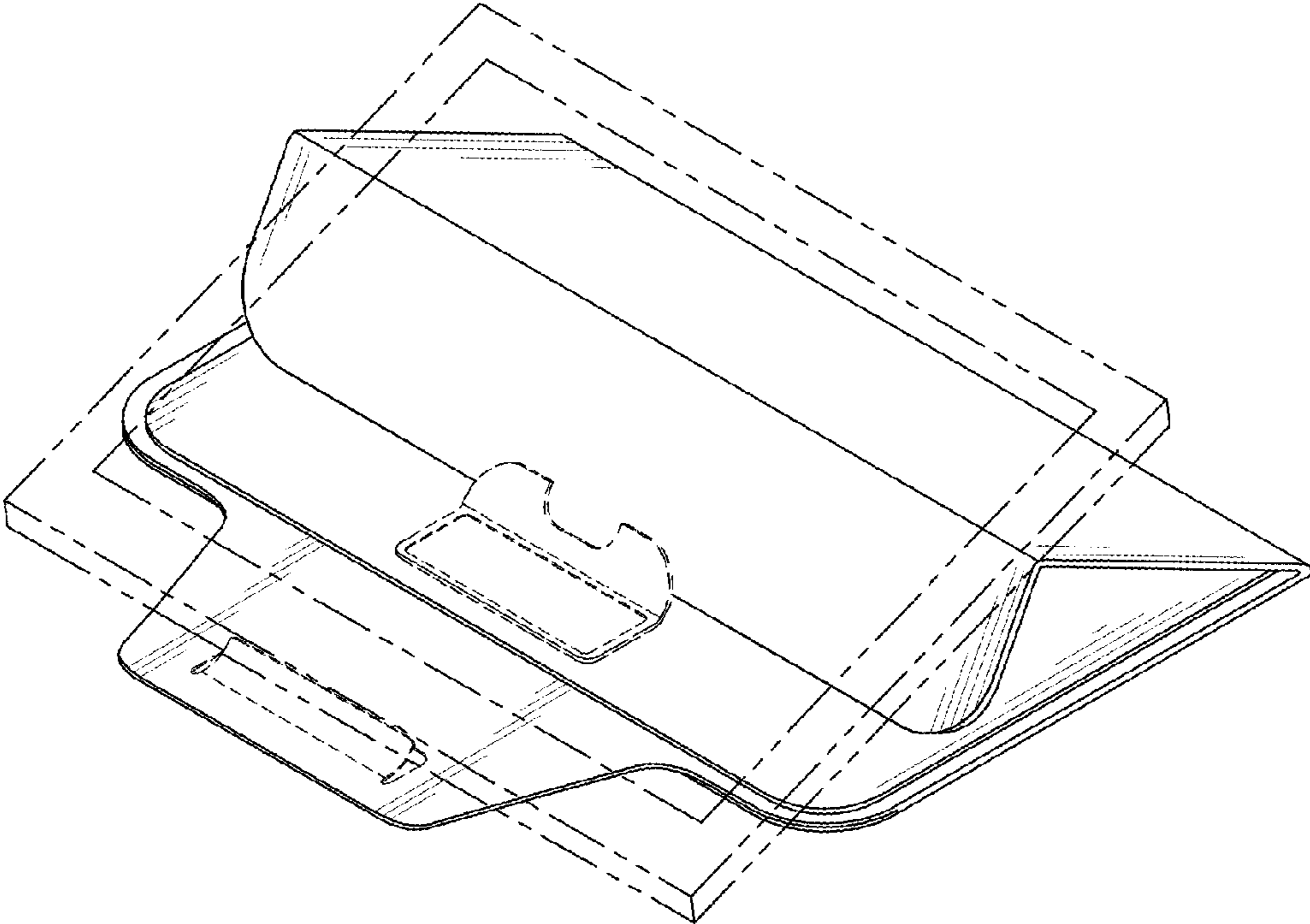


FIG. 11