



US00D708837S

(12) **United States Design Patent**
Lee

(10) **Patent No.:** **US D708,837 S**
(45) **Date of Patent:** **** Jul. 15, 2014**

(54) **PROTECTING CASE FOR PORTABLE ELECTRONIC DEVICE**

(75) Inventor: **Chueh Lee, Tu-Cheng (TW)**

(73) Assignee: **Chi Mei Communication Systems, Inc., New Taipei (TW)**

(**) Term: **14 Years**

(21) Appl. No.: **29/426,848**

(22) Filed: **Jul. 11, 2012**

(30) **Foreign Application Priority Data**

Apr. 27, 2012 (TW) 101302395

(51) **LOC (10) Cl.** **03-01**

(52) **U.S. Cl.**
USPC **D3/201; D14/440**

(58) **Field of Classification Search**
USPC D3/10, 201, 218, 215, 273, 276, 280,
D3/283-293, 299, 300, 301, 302, 303;
190/100-127, 900-903; 150/106-108,
150/110-112, 118, 127-130; 206/320;
D14/250, 251, 253, 240, 217, 496,
D14/203.3, 203.4, 203.5, 203.8, 440, 238.1,
D14/432, 439, 300; 361/679.56; 455/575.8;
292/342, 343; 248/371, 152, 174, 459
See application file for complete search history.

(56) **References Cited**

U.S. PATENT DOCUMENTS

670,029	A *	3/1901	Meier	383/43
D271,832	S *	12/1983	Smith	D6/490
D578,129	S *	10/2008	Weber	D14/440
8,424,829	B2 *	4/2013	Lu et al.	248/371
8,424,830	B2 *	4/2013	Yang et al.	248/459
D687,438	S *	8/2013	Lu	D14/440
D690,702	S *	10/2013	Chung	D14/440

D691,145	S *	10/2013	Nam-Su	D14/440
D692,434	S *	10/2013	Kim	D14/440
8,544,639	B2 *	10/2013	Yang et al.	206/45.2
8,640,864	B2 *	2/2014	Chen et al.	206/45.2
2006/0285283	A1 *	12/2006	Simonian et al.	361/679

* cited by examiner

Primary Examiner — Thomas Johannes

Assistant Examiner — Holly E Thurman

(74) *Attorney, Agent, or Firm* — Novak Druce Connolly Bove + Quigg LLP

(57) **CLAIM**

I claim the ornamental design for a protecting case for portable electronic device, as shown and described.

DESCRIPTION

This application is related to co-pending U.S. patent applications Ser. No. 29/426,849, entitled "Protecting Case for Portable Electronic Device". Such applications have the same assignee as the present application. The above-identified applications are incorporated herein by reference.

FIG. 1 is a perspective view of a protecting case for portable electronic device showing my new design;

FIG. 2 is a front elevational view thereof;

FIG. 3 is a rear elevational view thereof;

FIG. 4 is a left side elevational view thereof;

FIG. 5 is a right side elevational view thereof;

FIG. 6 is a top plan view thereof;

FIG. 7 is a bottom plan view thereof;

FIG. 8 is a perspective view from a different angle thereof;

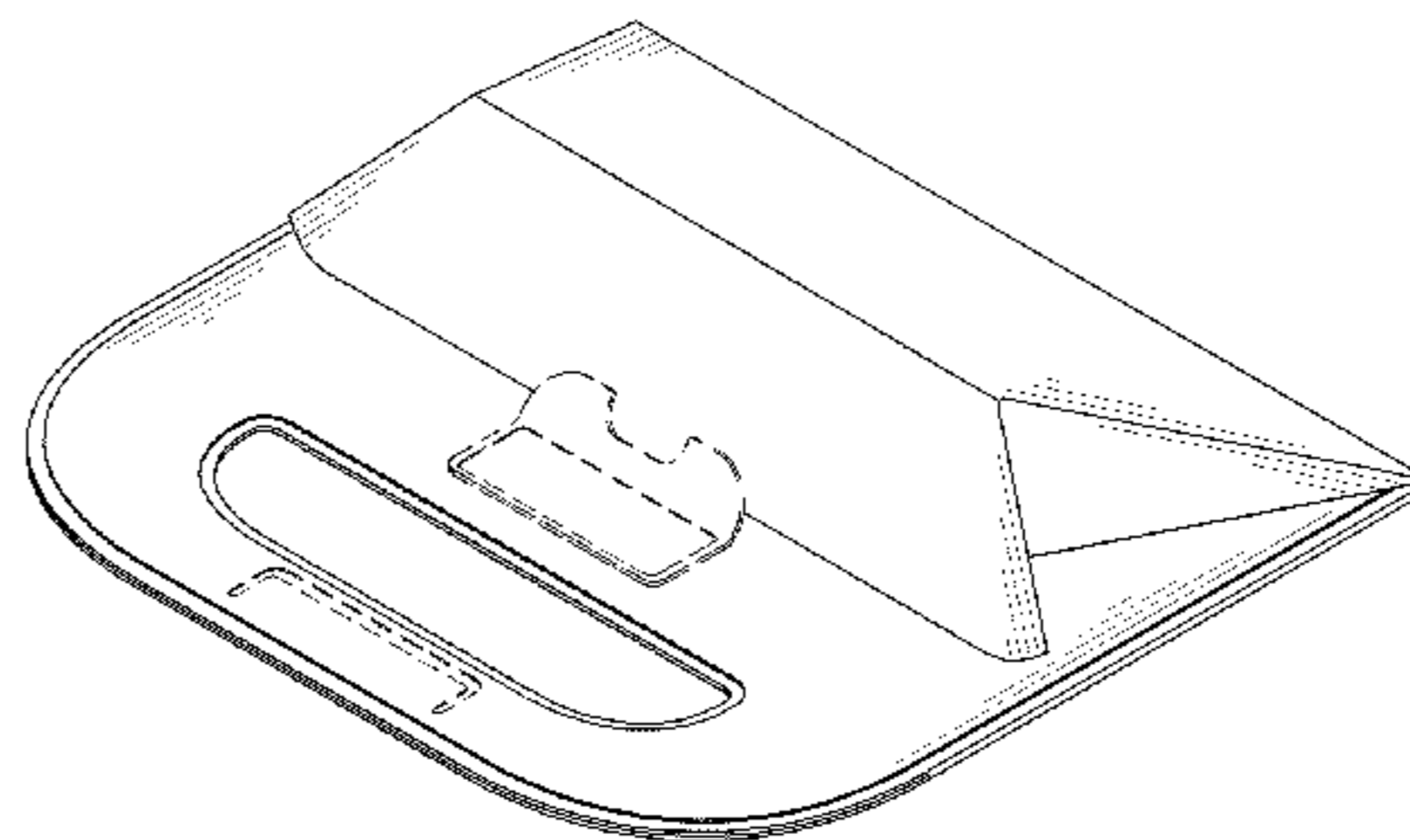
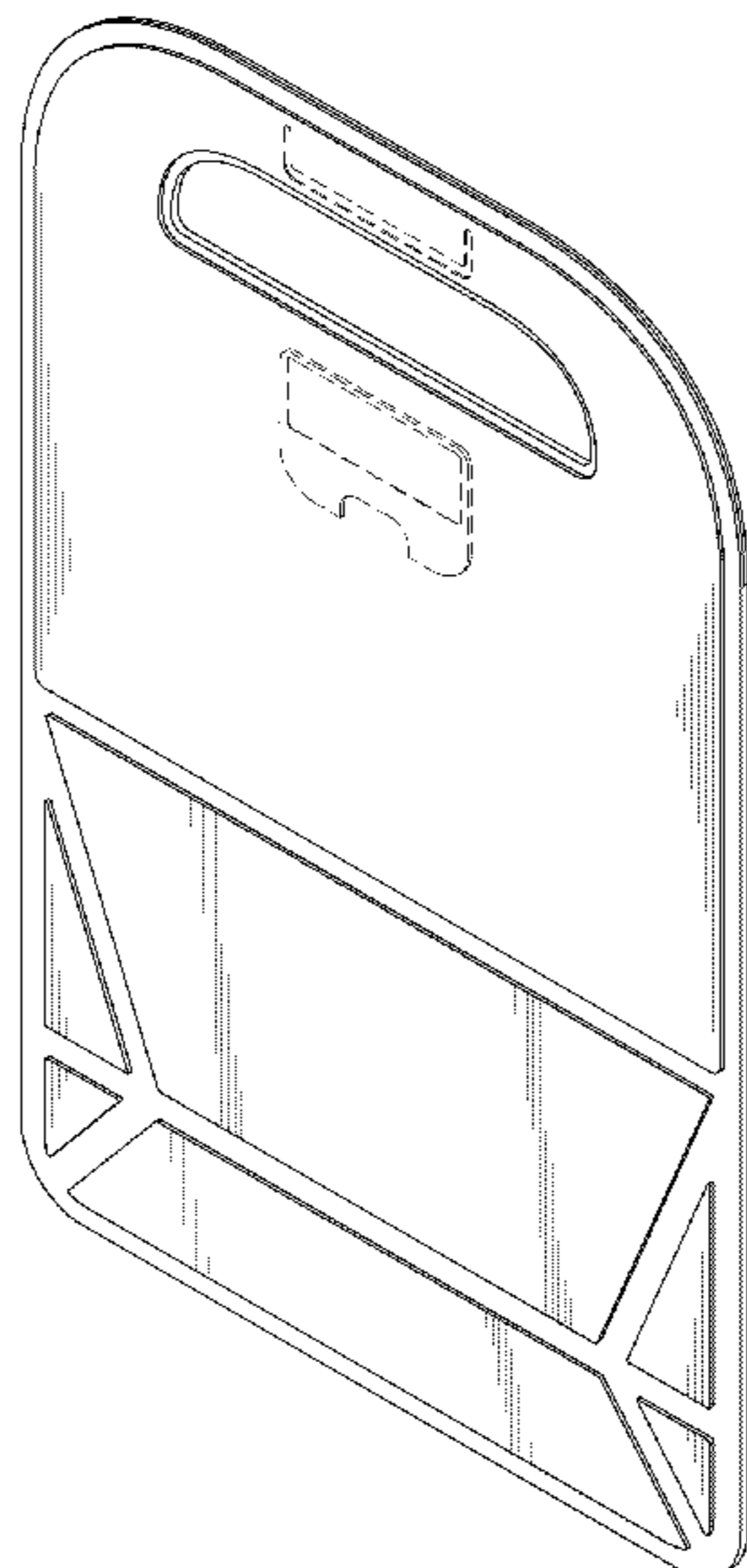
FIG. 9 is a perspective view in a folded state thereof;

FIG. 10 is a perspective view as shown in FIG. 9 supporting a portable electronic device; and,

FIG. 11 is a perspective view as shown in FIG. 9 supporting a portable electronic device in an alternate position.

The broken lines of all the figures are for the purpose of depicting unclaimed environment and forms no part of the claimed design.

1 Claim, 11 Drawing Sheets



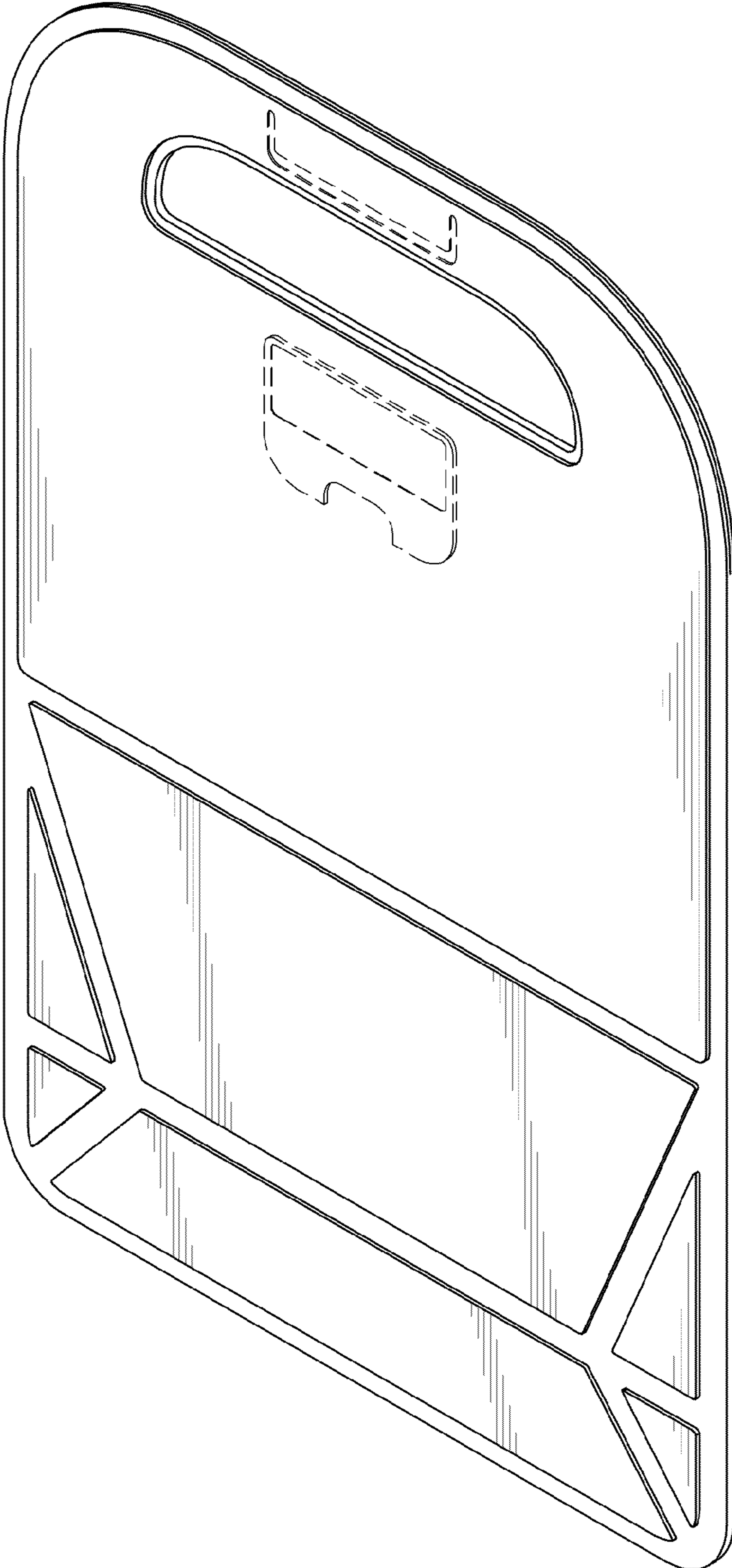


FIG. 1

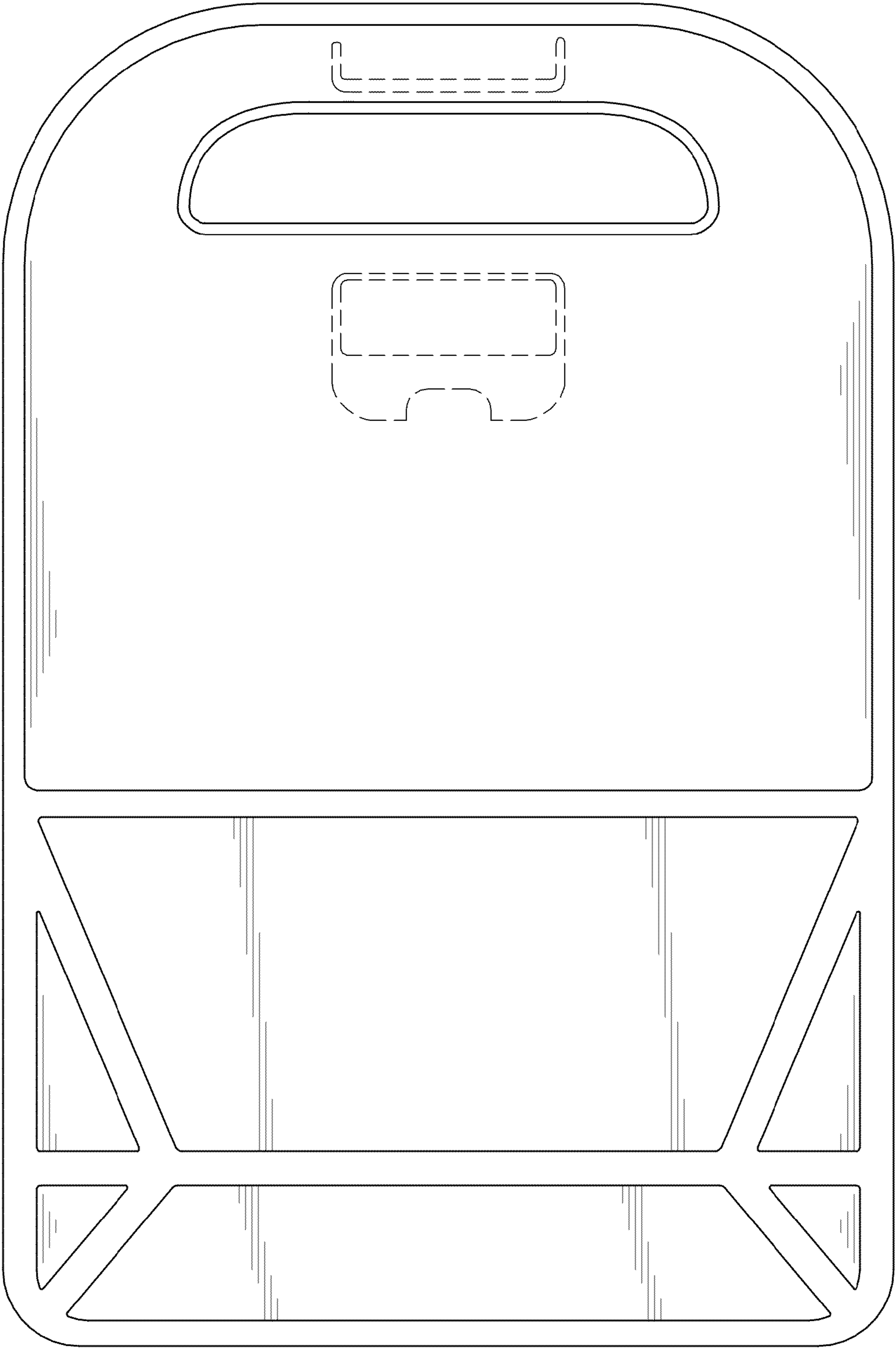


FIG. 2

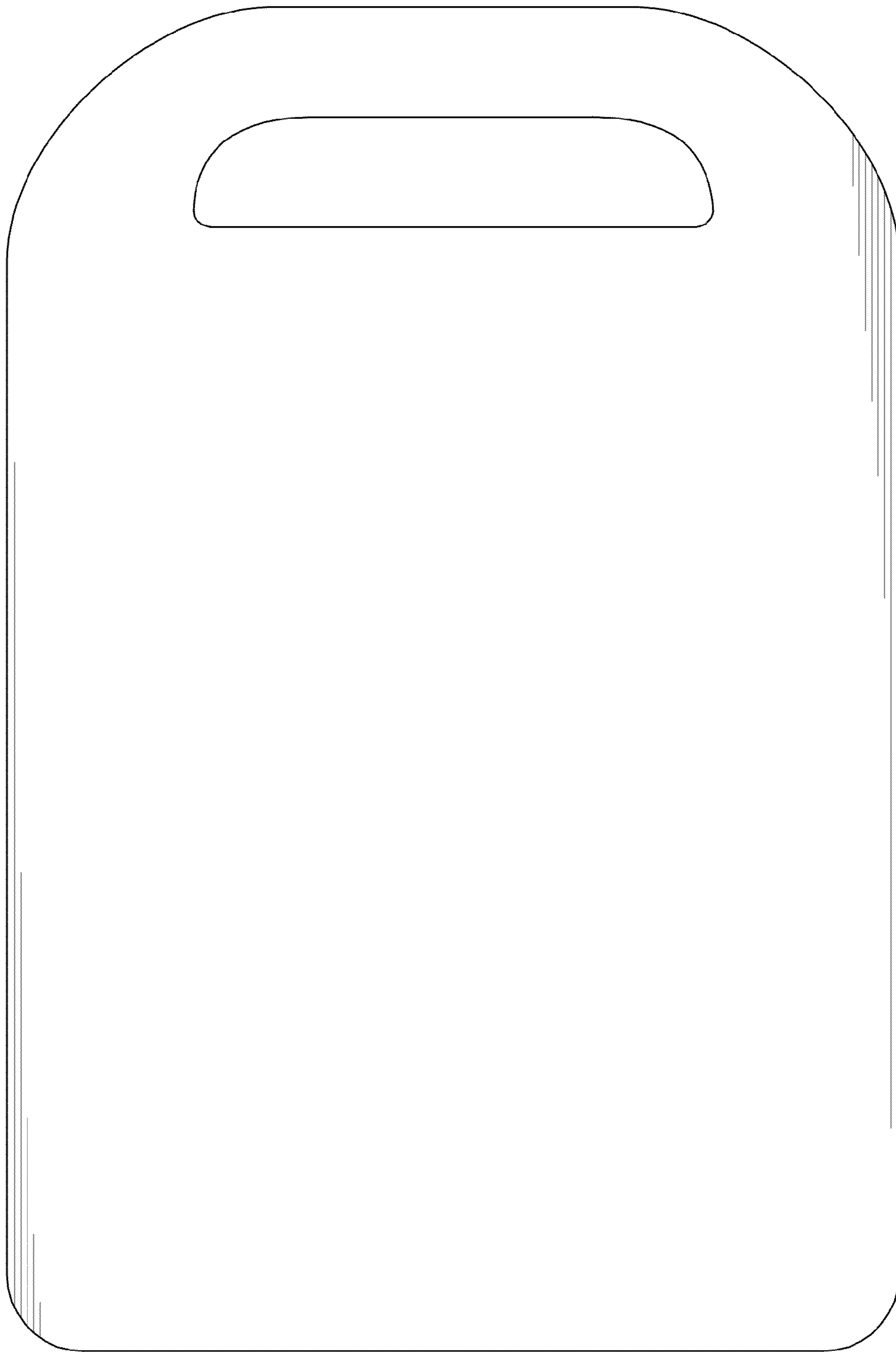


FIG. 3



FIG. 4



FIG. 5



FIG. 6

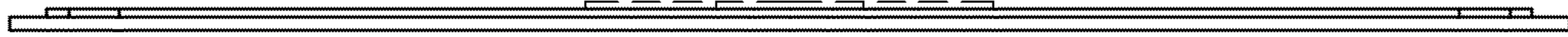


FIG. 7

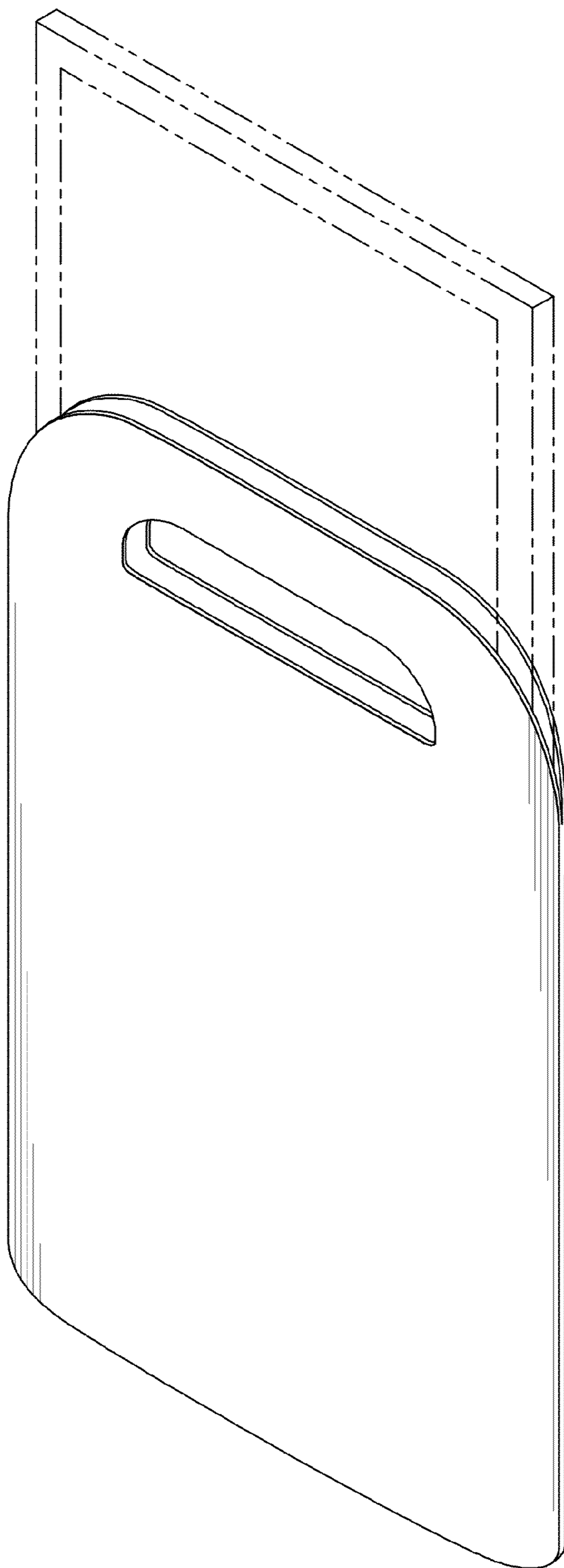


FIG. 8

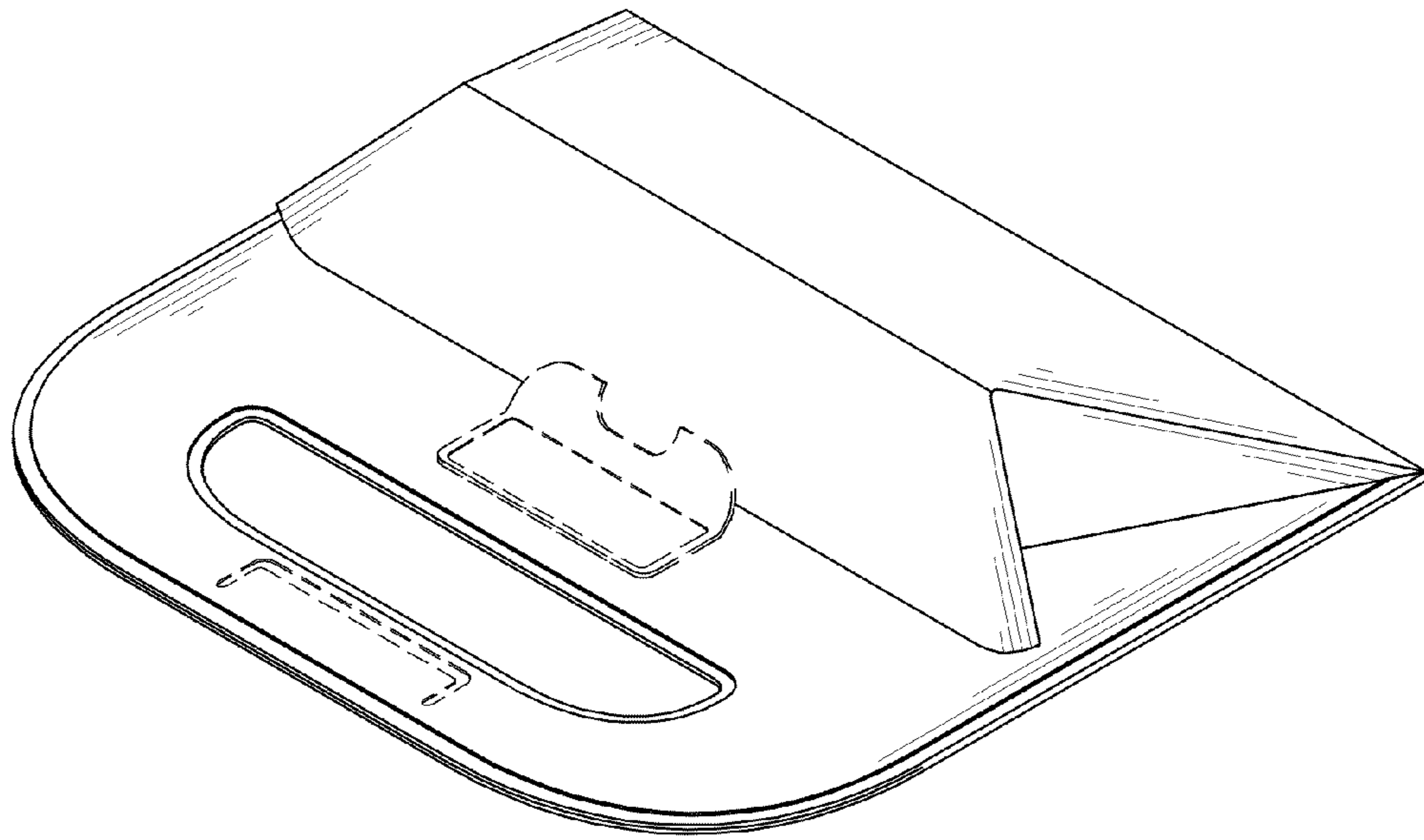


FIG. 9

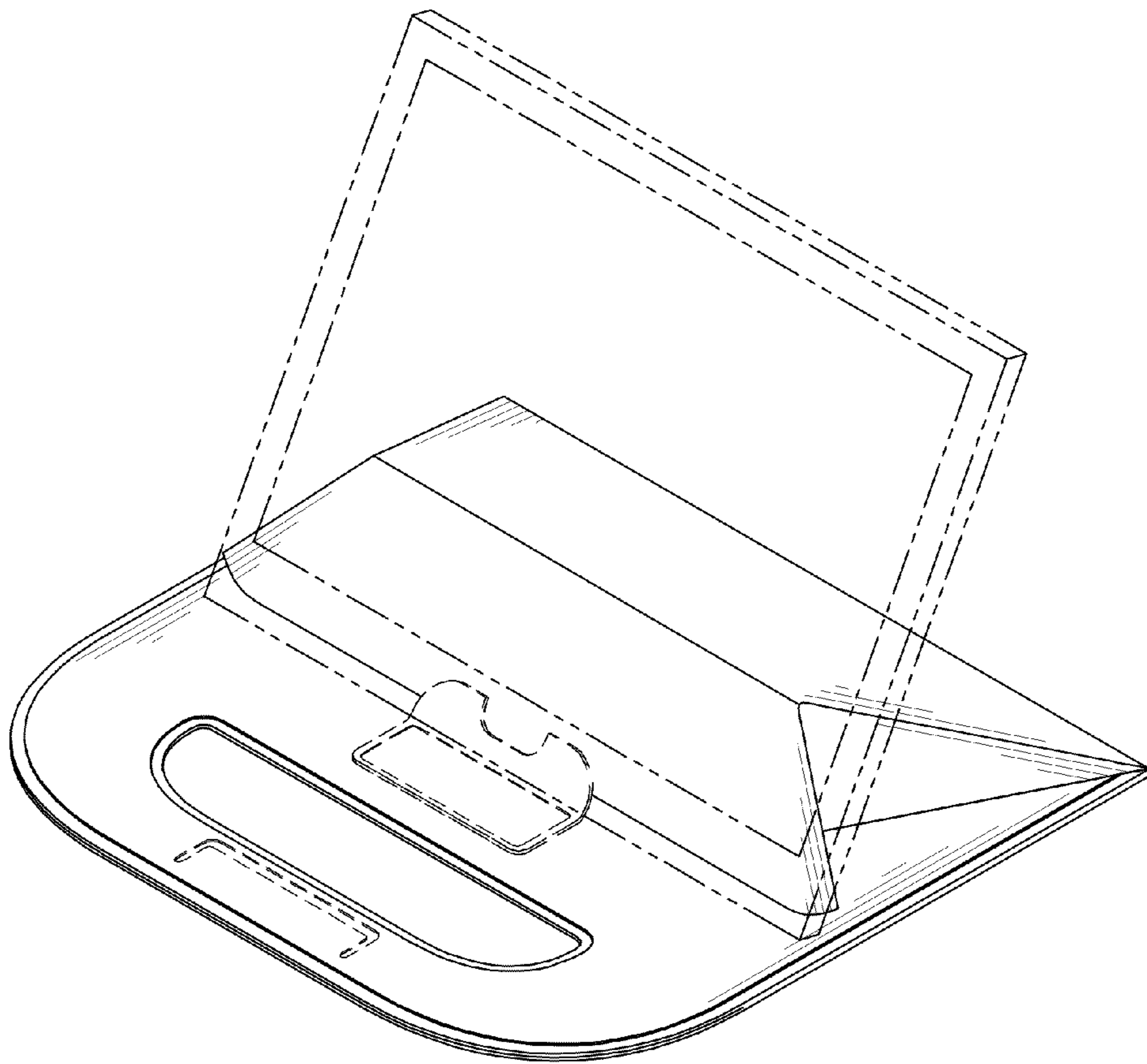


FIG. 10

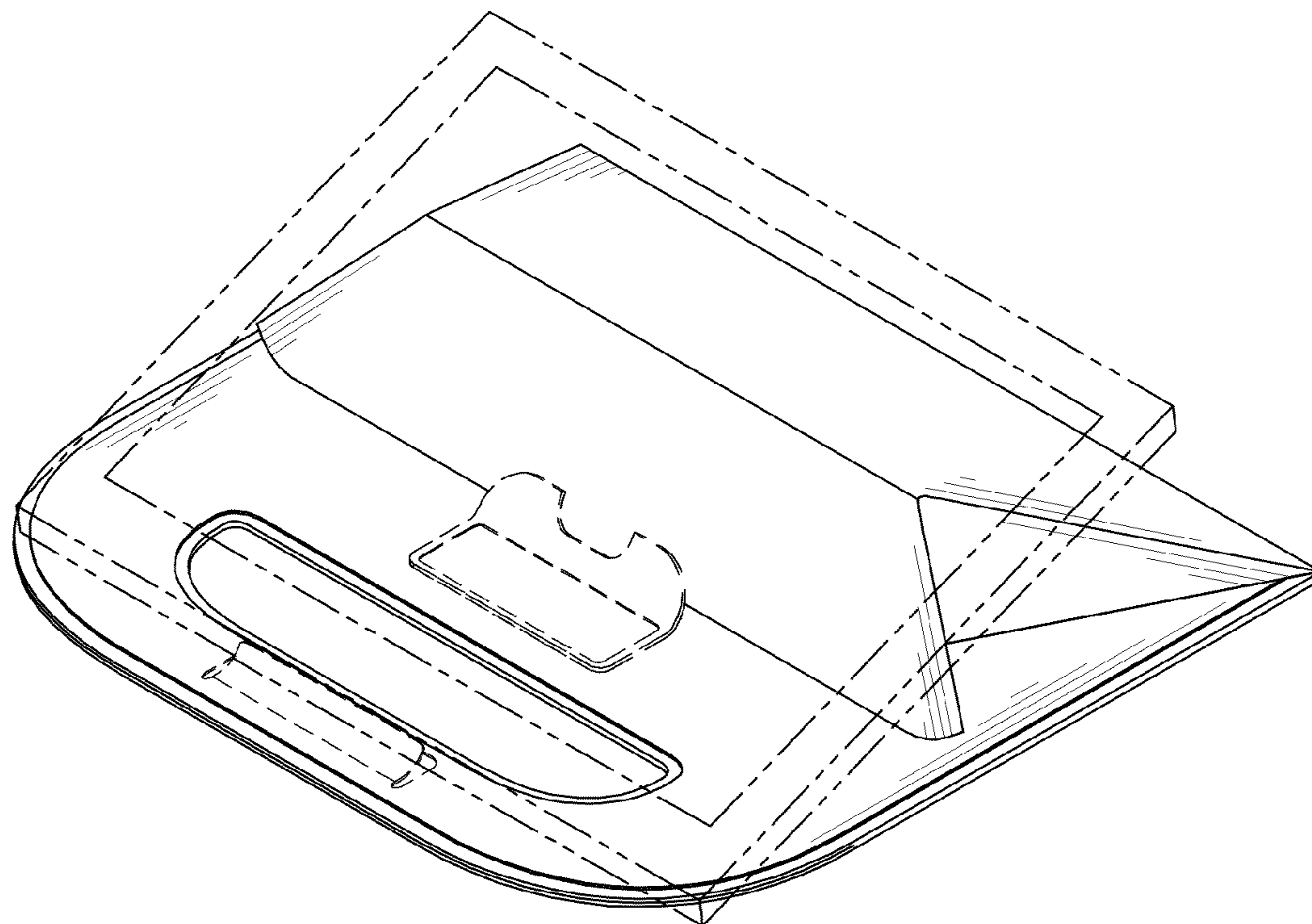


FIG. 11