



US00D708830S

(12) **United States Design Patent**
Williams, Jr.

(10) **Patent No.:** **US D708,830 S**
(45) **Date of Patent:** **** Jul. 15, 2014**

- (54) **SHOE OUTSOLE**
- (71) Applicant: **NIKE, Inc.**, Beaverton, OR (US)
- (72) Inventor: **Robert C. Williams, Jr.**, Tigard, OR (US)
- (73) Assignee: **NIKE, Inc.**, Beaverton, OR (US)
- (**) Term: **14 Years**
- (21) Appl. No.: **29/472,460**
- (22) Filed: **Nov. 12, 2013**
- (51) **LOC (10) Cl.** **02-04**
- (52) **U.S. Cl.**
USPC **D2/958; D2/951; D2/960**
- (58) **Field of Classification Search**
USPC D2/902, 906, 908, 916, 918, 925,
D2/946-962, 977; 36/3 B, 22 R, 24.5, 25 R,
36/28, 32 R, 34 R, 59 C, 67 A, 103
See application file for complete search history.

- D467,060 S 12/2002 Randesi et al.
- D487,333 S * 3/2004 Laska D2/958
- D497,708 S * 11/2004 Granger et al. D2/961
- D512,821 S 12/2005 Lee
- 7,055,265 B1 * 6/2006 Bathum et al. 36/3 B

(Continued)

FOREIGN PATENT DOCUMENTS

- EM 001806878-0001 1/2011
- EM 001806878-0002 1/2011

OTHER PUBLICATIONS

Nike Footwear Catalog, 1976 Footwear, p. 6, published 1976, NIKE, Inc., USA.

(Continued)

Primary Examiner — T. Chase Nelson

(74) *Attorney, Agent, or Firm* — Banner & Witcoff, Ltd.

(57) **CLAIM**

The ornamental design for a shoe outsole, as shown and described.

(56) **References Cited**

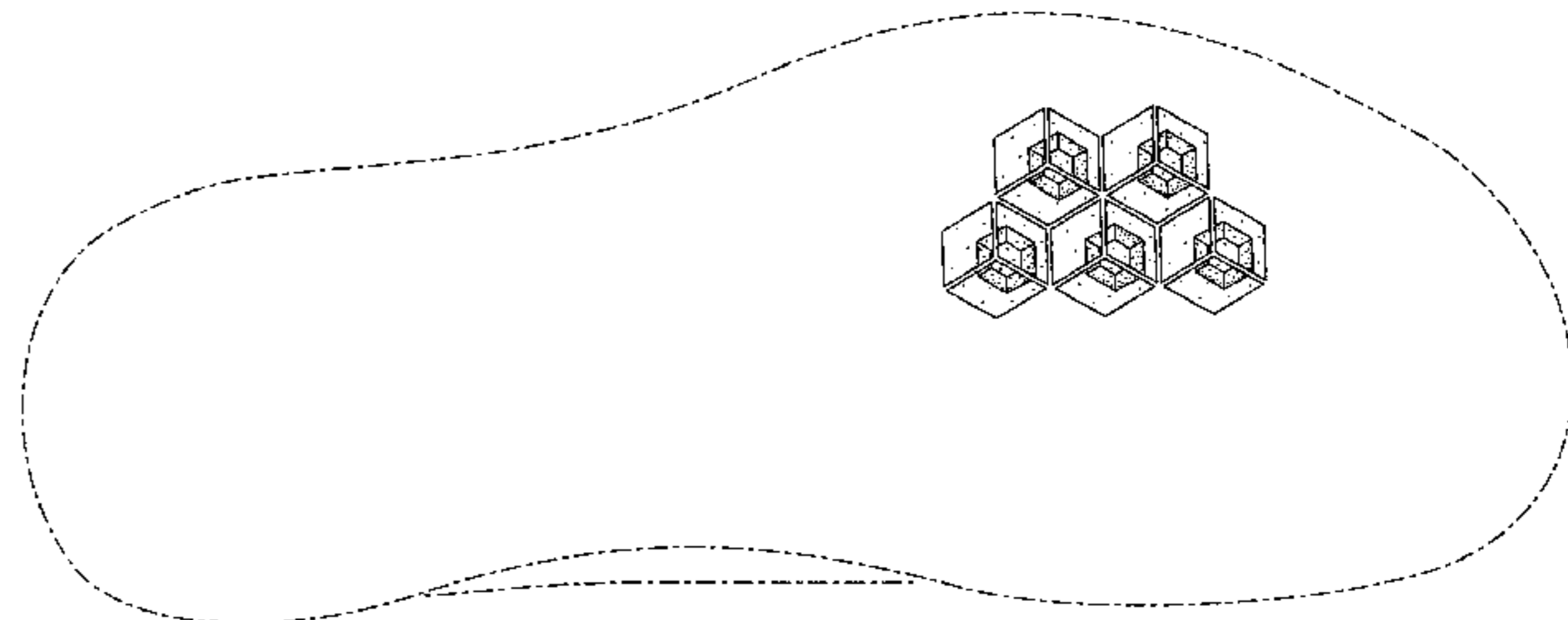
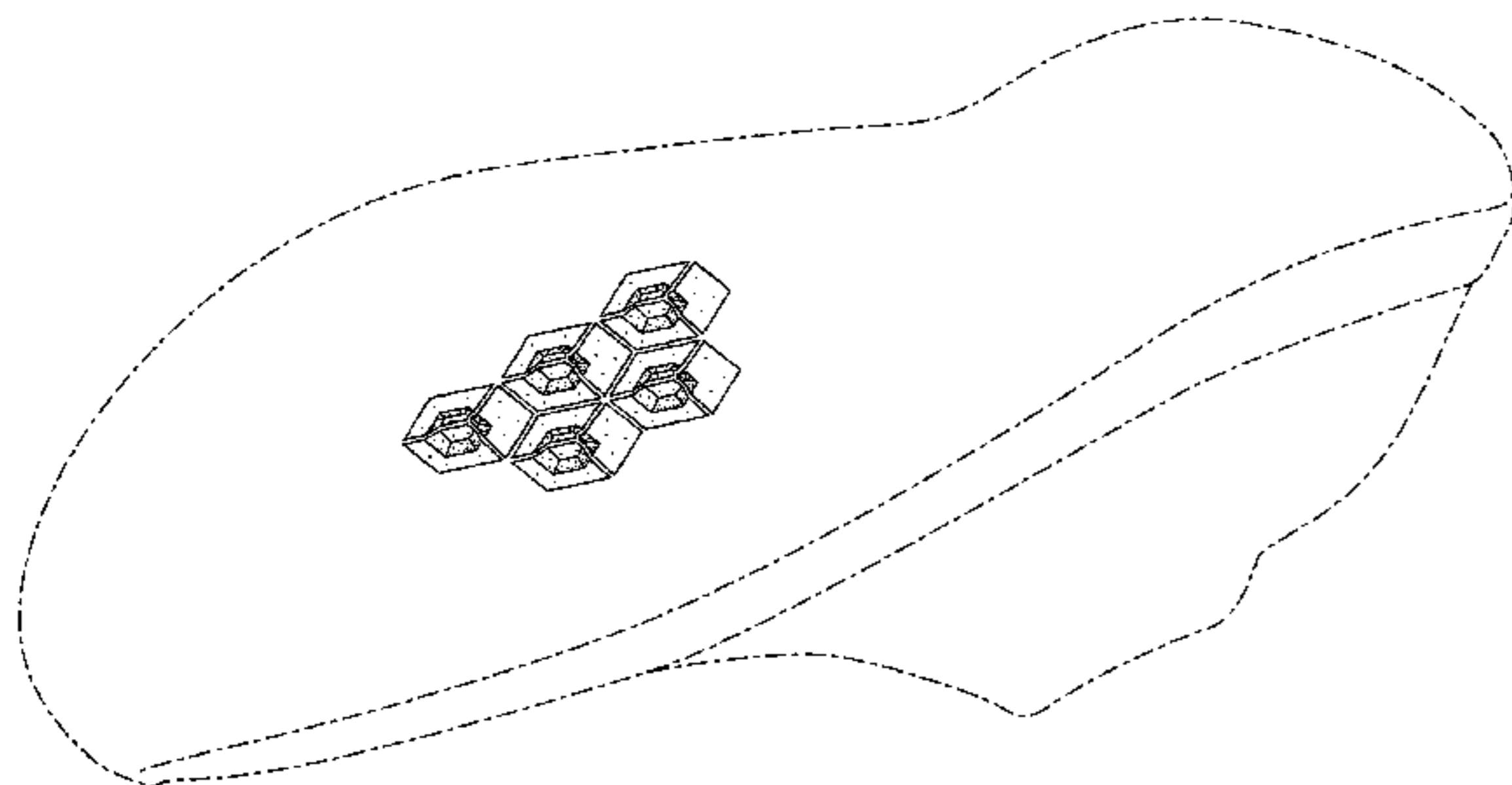
U.S. PATENT DOCUMENTS

- D68,393 S 10/1925 Murray
- D90,463 S 8/1933 Van Cleef
- 4,063,371 A * 12/1977 Batra 36/3 B
- D248,065 S 6/1978 Batra
- D248,897 S 8/1978 Toothaker
- D255,176 S 6/1980 Fuzita
- D263,645 S 4/1982 Mastrantuone
- D281,462 S 11/1985 Pope
- D295,460 S 5/1988 Hase et al.
- D295,462 S * 5/1988 Brown et al. D2/955
- D308,285 S 6/1990 Serna
- D323,058 S 1/1992 Chow
- 5,201,125 A * 4/1993 Shorten 36/29
- D348,148 S * 6/1994 Limauro D2/954
- D359,385 S 6/1995 Meraw
- 6,029,377 A * 2/2000 Niikura et al. 36/67 R

DESCRIPTION

FIG. 1 is a front perspective view of a shoe outsole showing my new design;
 FIG. 2 is a plan view thereof;
 FIG. 3 is a rear perspective view thereof;
 FIG. 4 is an enlarged view of FIG. 1 with disclaimed features removed for clarity;
 FIG. 5 is an enlarged view of FIG. 2 with disclaimed features removed for clarity; and,
 FIG. 6 is an enlarged view of FIG. 3 with disclaimed features removed for clarity.
 The remainder of the shoe outsole depicted in part in broken lines is for environmental purposes only and forms no part of the claimed design.

1 Claim, 6 Drawing Sheets



(56)

References Cited

U.S. PATENT DOCUMENTS

D555,339 S 11/2007 Chang
 D555,340 S 11/2007 Chang
 D561,986 S * 2/2008 Horne et al. D2/958
 D564,191 S 3/2008 Jensen
 D569,594 S * 5/2008 Horne et al. D2/958
 D571,089 S 6/2008 Centurione et al.
 D572,885 S 7/2008 Jensen
 D599,087 S * 9/2009 Kay et al. D2/909
 D608,991 S * 2/2010 Lamont D2/951
 D612,141 S * 3/2010 Moon D2/962
 D621,143 S 8/2010 Lamont
 D622,947 S 9/2010 Moon
 7,797,856 B2 * 9/2010 Andrews et al. 36/30 R
 D625,092 S 10/2010 Moon
 D656,720 S 4/2012 Wawrousek
 D656,722 S * 4/2012 Hall D2/958
 D657,543 S 4/2012 Bove
 8,196,322 B2 * 6/2012 Atsumi et al. 36/133
 8,375,604 B2 * 2/2013 Eder et al. 36/134
 D679,487 S * 4/2013 Wawrousek D2/951
 D684,347 S * 6/2013 Chang D2/959
 D686,405 S 7/2013 Little
 D689,680 S 9/2013 Chang
 D690,920 S * 10/2013 Petrie D2/959
 8,621,767 B2 * 1/2014 Vestuti et al. 36/28
 8,631,590 B2 * 1/2014 Droege et al. 36/103
 D701,027 S * 3/2014 Lee D2/958
 D702,031 S * 4/2014 Nakano D2/958
 2001/0008053 A1 * 7/2001 Belli 36/28
 2005/0155255 A1 * 7/2005 Wilson et al. 36/29
 2005/0252037 A1 * 11/2005 Hofmann 36/28
 2008/0201992 A1 * 8/2008 Avar et al. 36/25 R
 2008/0250673 A1 * 10/2008 Andrews et al. 36/25 R
 2008/0276490 A1 * 11/2008 Holt et al. 36/28
 2010/0275470 A1 * 11/2010 Hoffer et al. 36/3 R

2011/0247243 A1 * 10/2011 Eder et al. 36/67 A
 2012/0180341 A1 * 7/2012 Crowley et al. 36/103
 2012/0304500 A1 * 12/2012 Bove 36/25 R
 2012/0317843 A1 * 12/2012 Bove 36/25 R
 2013/0340295 A1 * 12/2013 Adami et al. 36/25 R

OTHER PUBLICATIONS

Nike Footwear Catalog, 1985 Footwear, p. 19, published Dec. 1984, NIKE, Inc., USA.
 Nike Footwear Catalog, 1986 Spring: Performance, p. 12, published Jun. 1985, NIKE, Inc., USA.
 Nike Footwear Catalog, 1986 Spring: Performance, p. 25, published Jun. 1985, NIKE, Inc., USA.
 Nike Footwear Catalog, 1986 Spring: Performance, p. 35, published Jun. 1985, NIKE, Inc., USA.
 Nike Footwear Catalog, 1991 Fall Footwear, p. 52, published Dec. 1990, NIKE, Inc., USA.
 Nike Footwear Catalog, 2009 Fall: Sport Performance Footwear, p. 114, published Nov. 2008, NIKE, Inc., USA.
 Nike Footwear Catalog, 2009 Fall: Sport Performance Footwear, p. 113, published Nov. 2008, NIKE, Inc., USA.
 Nike Footwear Catalog, 2009 Spring: Sport Performance Footwear, p. 131, published May 2008, NIKE, Inc., USA.
 Nike Footwear Catalog, 2009 Spring: Sport Performance Footwear, p. 132, published May 2008, NIKE, Inc., USA.
 Nike Footwear Catalog, 2012 Spring: Men's and Women's Sportswear Best Footwear, p. 11, published Nov. 2011, NIKE, Inc., USA.
 Nike Footwear Catalog, 2012 Fall: Core Footwear, p. 29, published Nov. 2011, NIKE, Inc., USA.
 Minimus HI-REZ. New Balance. [Online] Publish date unknown but prior to filing the present application. [retrieved from the Internet on Jan. 17, 2014] <URL: : http://www.newbalance.com/Minimus-Hi-Rez-Where-Science-Meets-Design/article_minimus_hirez_where_science_meets_design,default.pg.html> 4 pages.

* cited by examiner

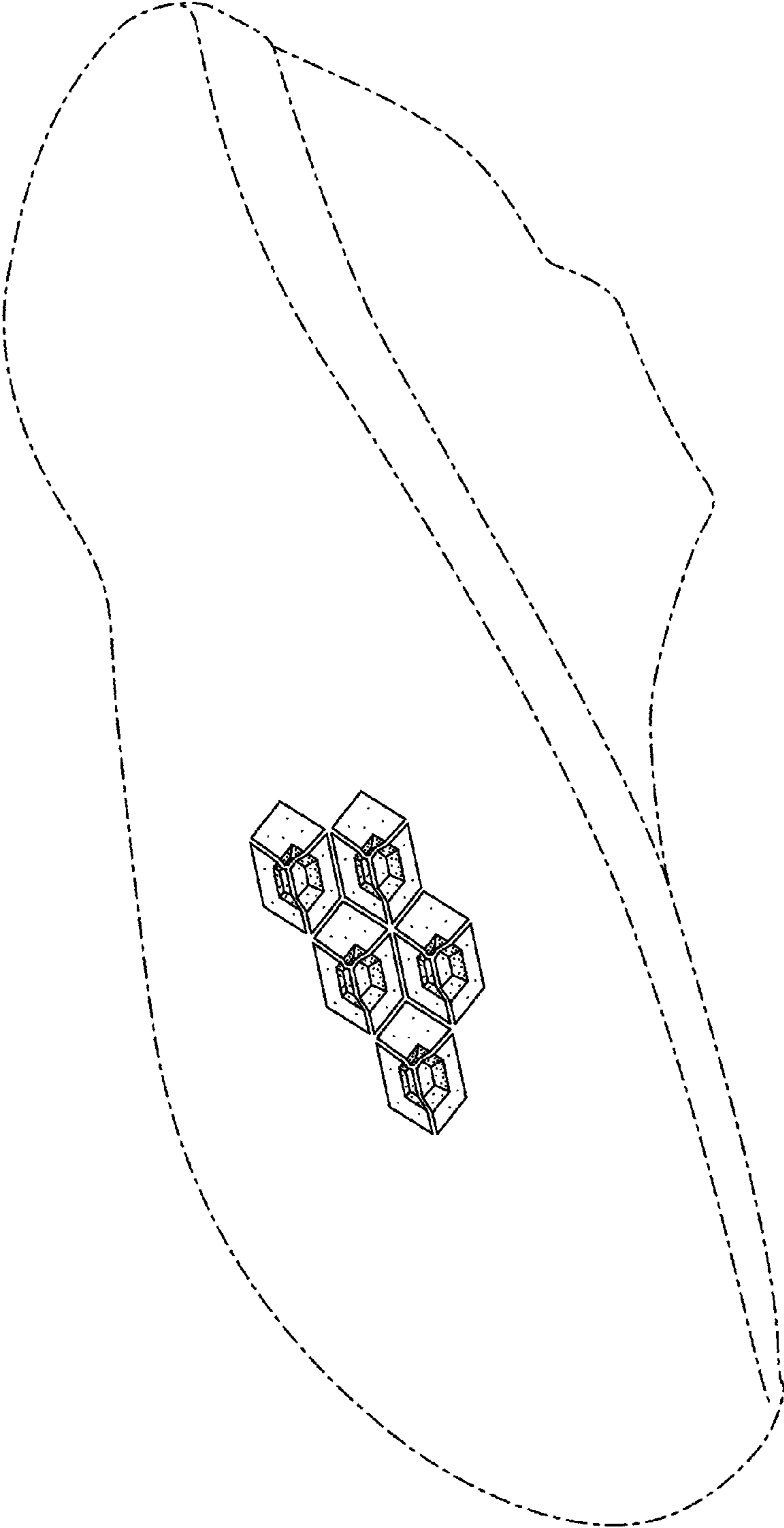


FIG. 1

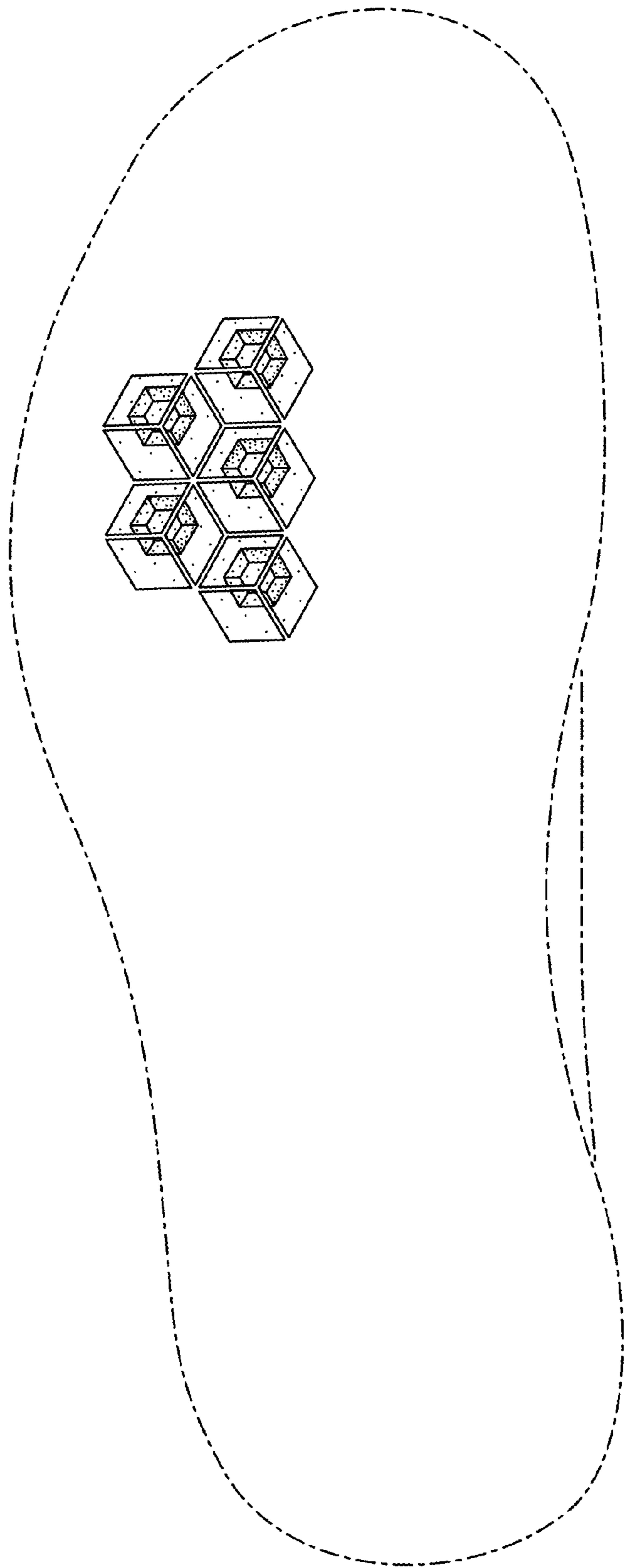


FIG. 2

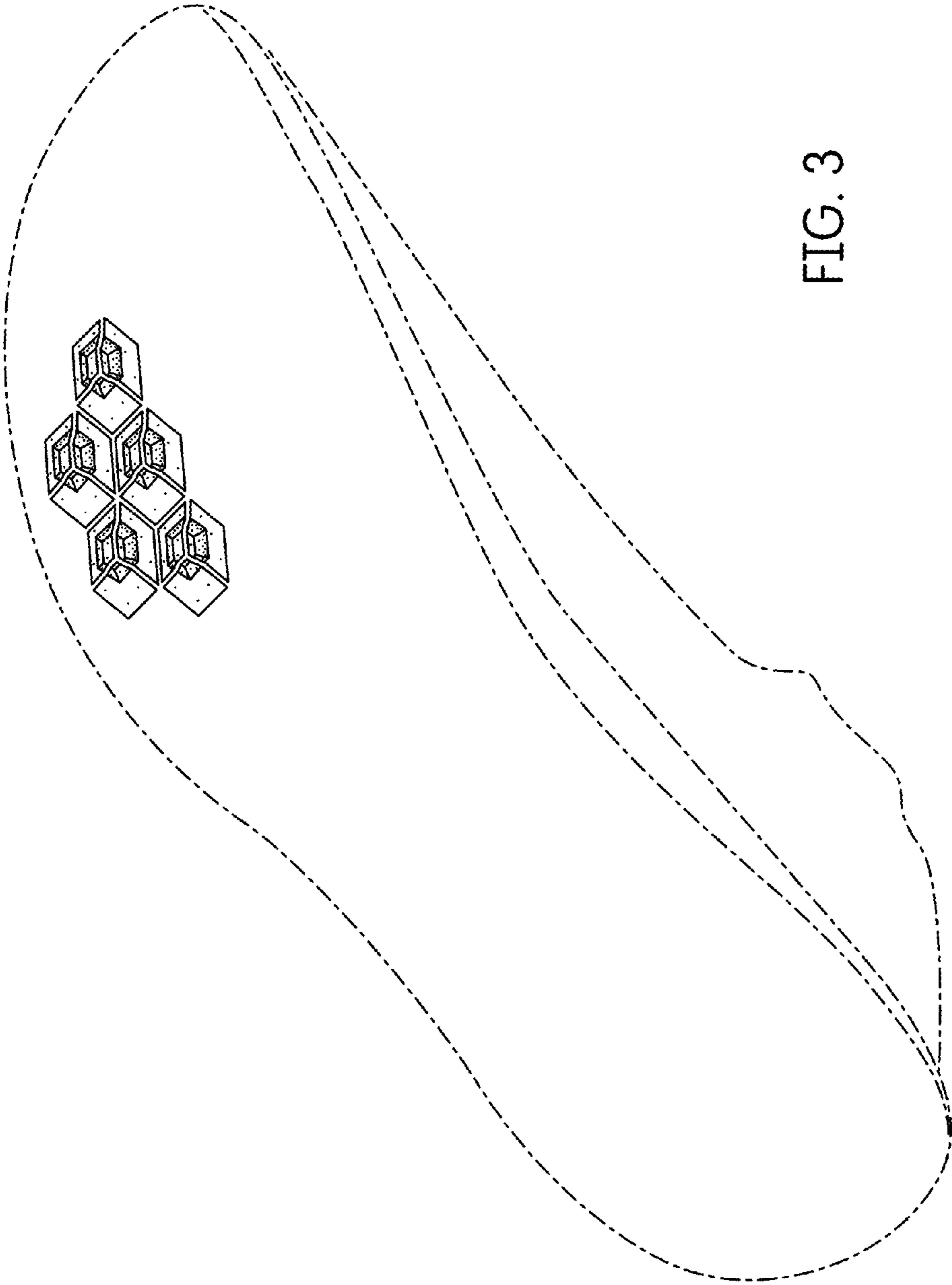


FIG. 3

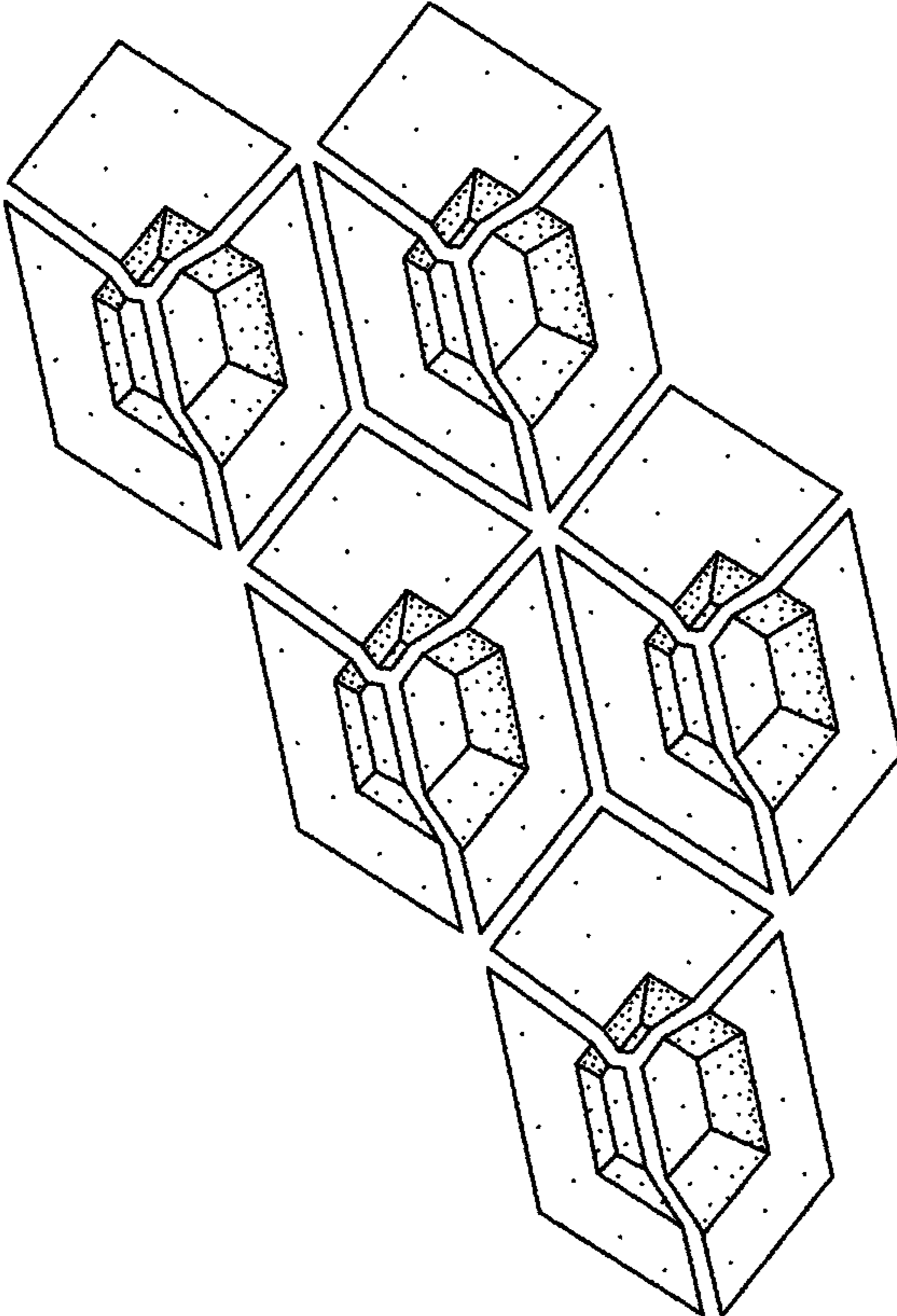


FIG. 4

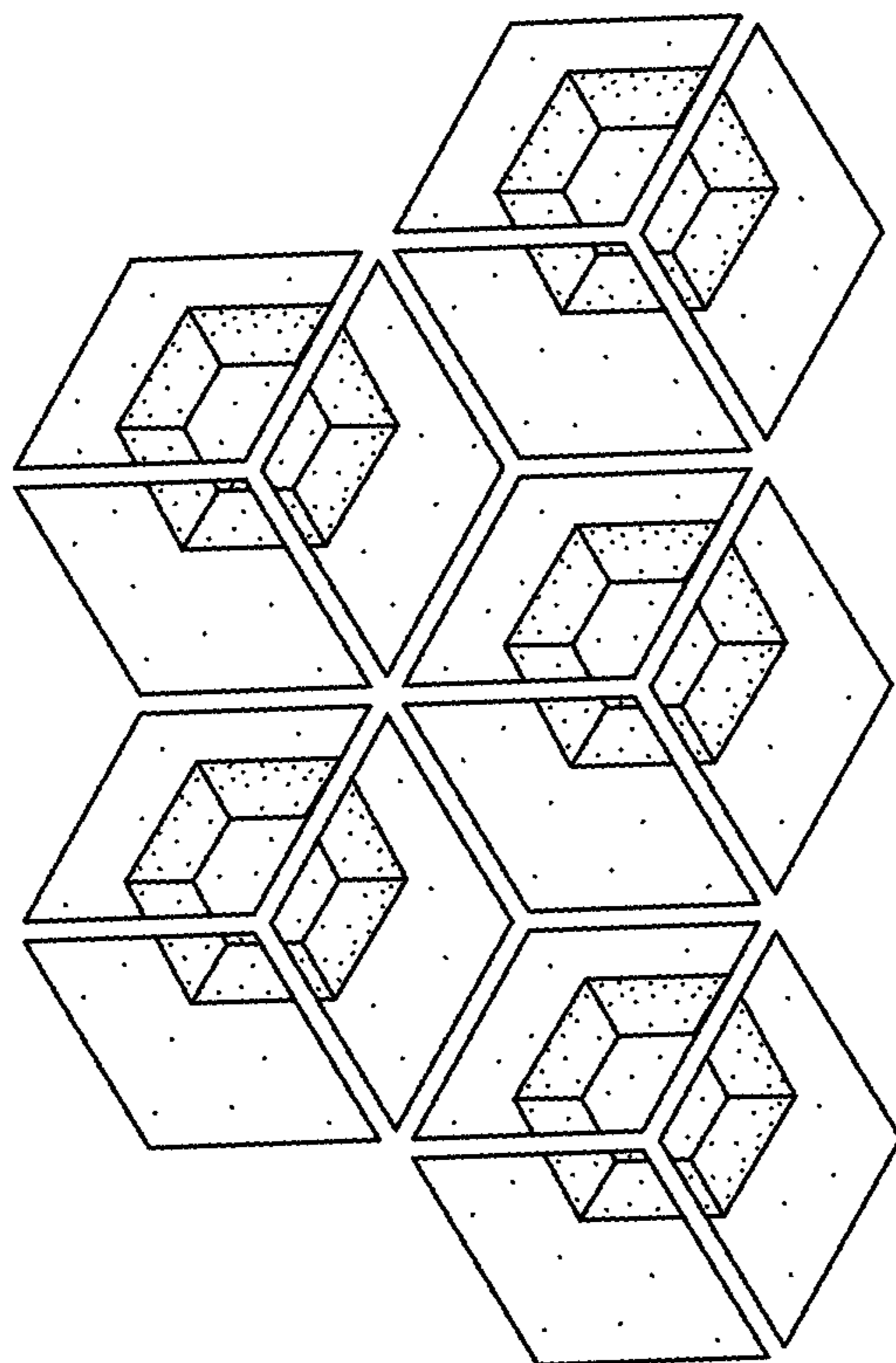


FIG. 5

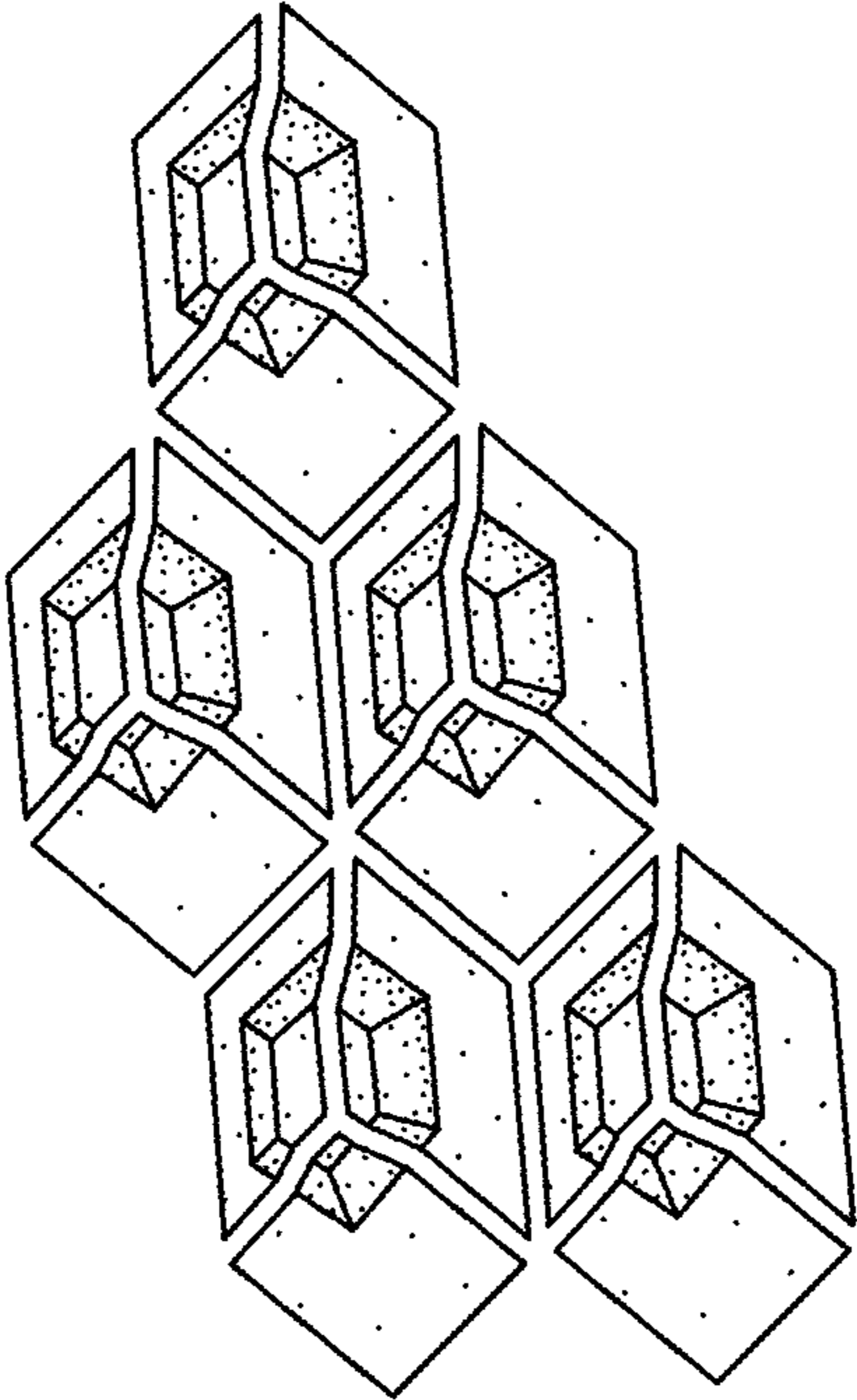


FIG. 6