



US00D708823S

(12) **United States Design Patent**
Katz

(10) **Patent No.:** **US D708,823 S**
(45) **Date of Patent:** **** Jul. 15, 2014**

(54) **SANDAL WITH DISPLAY POUCH FOR
DISPLAYING A DECORATIVE
ENVIRONMENT**

D293,966 S * 2/1988 Baungratz D2/916
D504,996 S * 5/2005 Dal Magro et al. D2/916
D506,595 S * 6/2005 Rimple D2/916
D603,599 S * 11/2009 Issler D2/971
D613,049 S * 4/2010 Lawler D2/971

(71) Applicant: **Marcella Miriam Katz**, La Jolla, CA
(US)

* cited by examiner

(72) Inventor: **Marcella Miriam Katz**, La Jolla, CA
(US)

Primary Examiner — Robert M Spear
Assistant Examiner — Rashida C McCoy

(73) Assignee: **In Eden Properties, LLC**, Las Vegas,
NV (US)

(74) *Attorney, Agent, or Firm* — Shirley L. Church, Esq.

(**) Term: **14 Years**

(57) **CLAIM**

What is claimed is the ornamental design for a sandal with a display pouch for displaying a decorative environment, as shown and described.

(21) Appl. No.: **29/442,314**

DESCRIPTION

(22) Filed: **Jan. 31, 2013**

(51) **LOC (10) Cl.** **02-04**

(52) **U.S. Cl.**
USPC **D2/916**

(58) **Field of Classification Search**
USPC D2/896–900, 916–925, 940, 943, 946,
D2/952, 969, 971; 36/45, 11.5, 3 A, 3 R,
36/7.5, 7.6, 7.7
See application file for complete search history.

FIG. 1 is an orthogonal view showing a sandal with a transparent display pouch for displaying a decorative environment, showing my new design;
FIG. 2 shows a top plan view thereof;
FIG. 3 shows a rear elevation view thereof;
FIG. 4 shows a left side elevation view thereof;
FIG. 5 shows a right side elevation view thereof;
FIG. 6 shows a left-side elevation view of the second embodiment of a sandal with a transparent display pouch for displaying a decorative environment; the orthogonal, left side and top plan views of the second embodiment are substantially the same as those of the first embodiment except for the addition of the zipper heel closure; and,
FIG. 7 shows a rear view elevation of FIG. 6, when the sandal includes the additional closure.

It is understood that in the drawings, the broken lines depicting the decorative pattern showing through the transparent upper surface of the display pouch represent unclaimed environment and form no part of the claim.

(56) **References Cited**

U.S. PATENT DOCUMENTS

D88,777 S * 12/1932 Graves D2/918
D107,558 S * 12/1937 Sobel D2/918
D132,292 S * 5/1942 Benton D2/918
2,297,595 A * 9/1942 Weinstat 36/11.5
2,421,818 A * 6/1947 Tibiletti 36/11.5
D162,642 S * 3/1951 Forschner D2/916
D273,529 S * 4/1984 Morgan D2/916
D279,326 S * 6/1985 Foldes D2/916

1 Claim, 4 Drawing Sheets

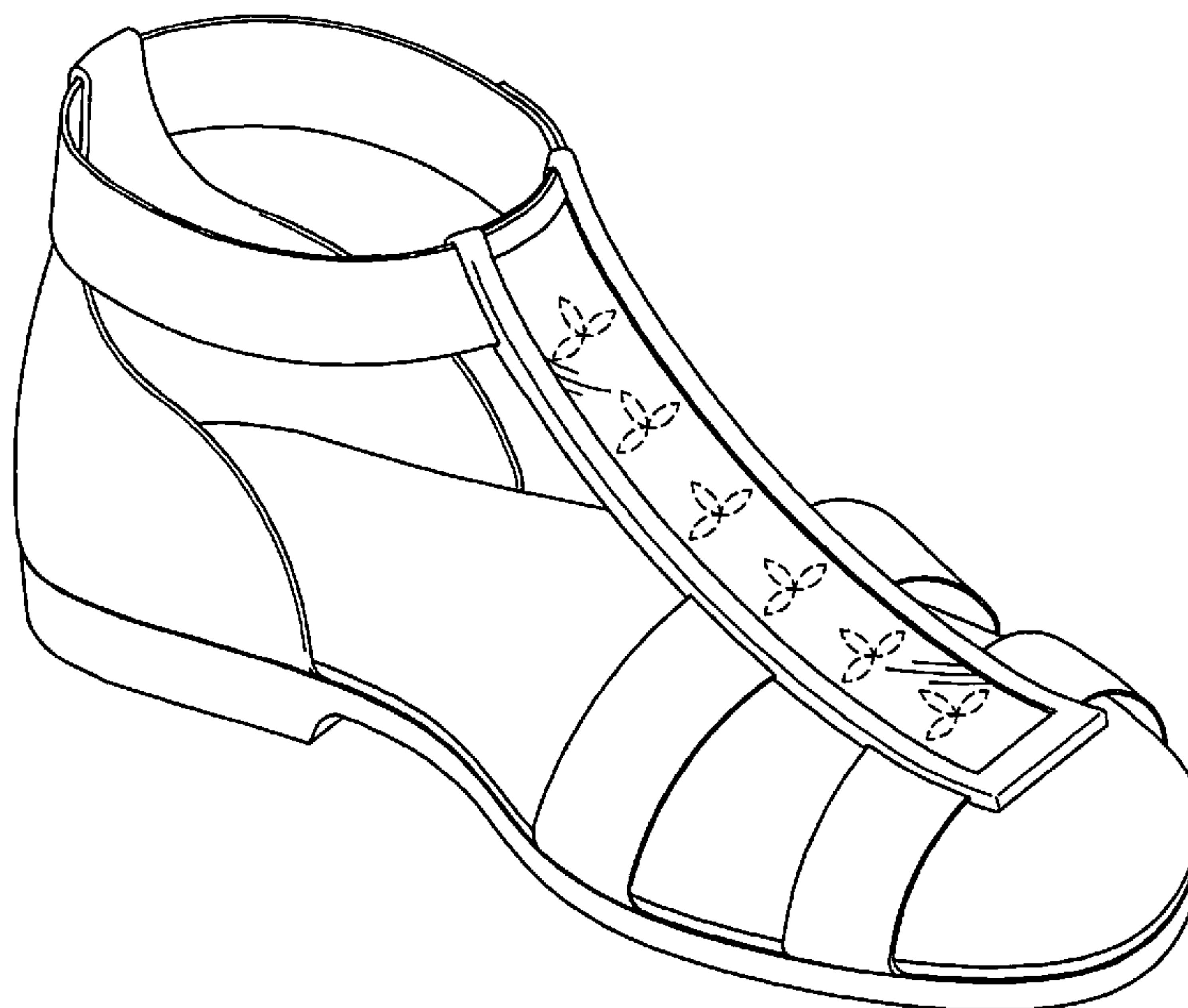
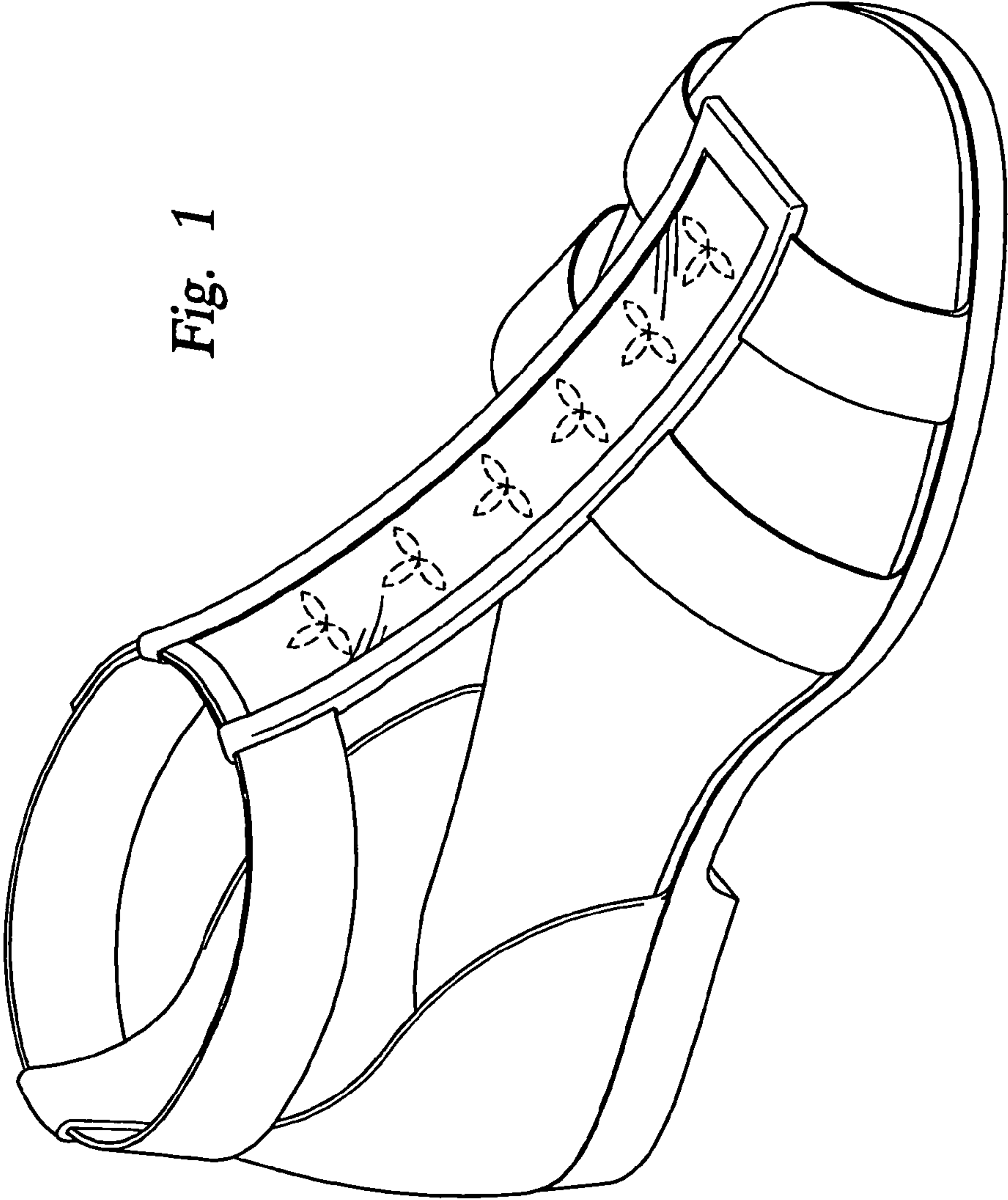


Fig. 1



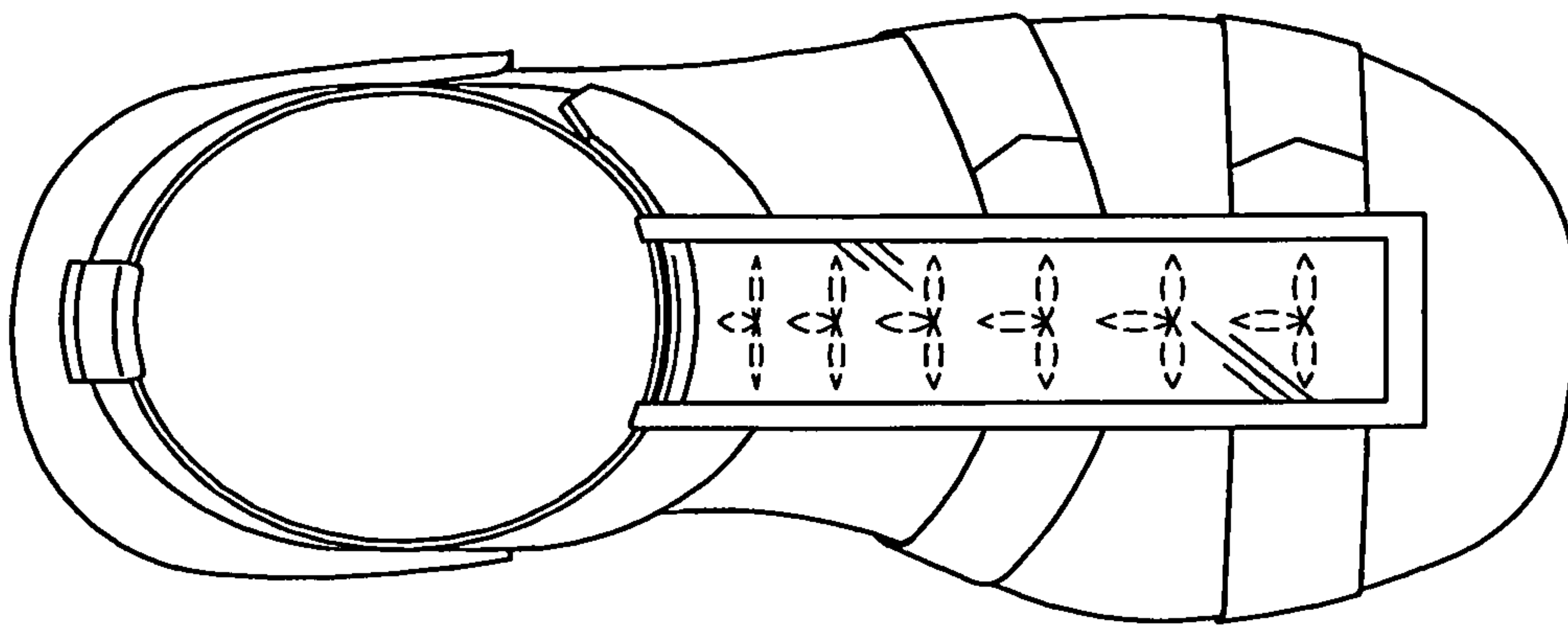


Fig. 2

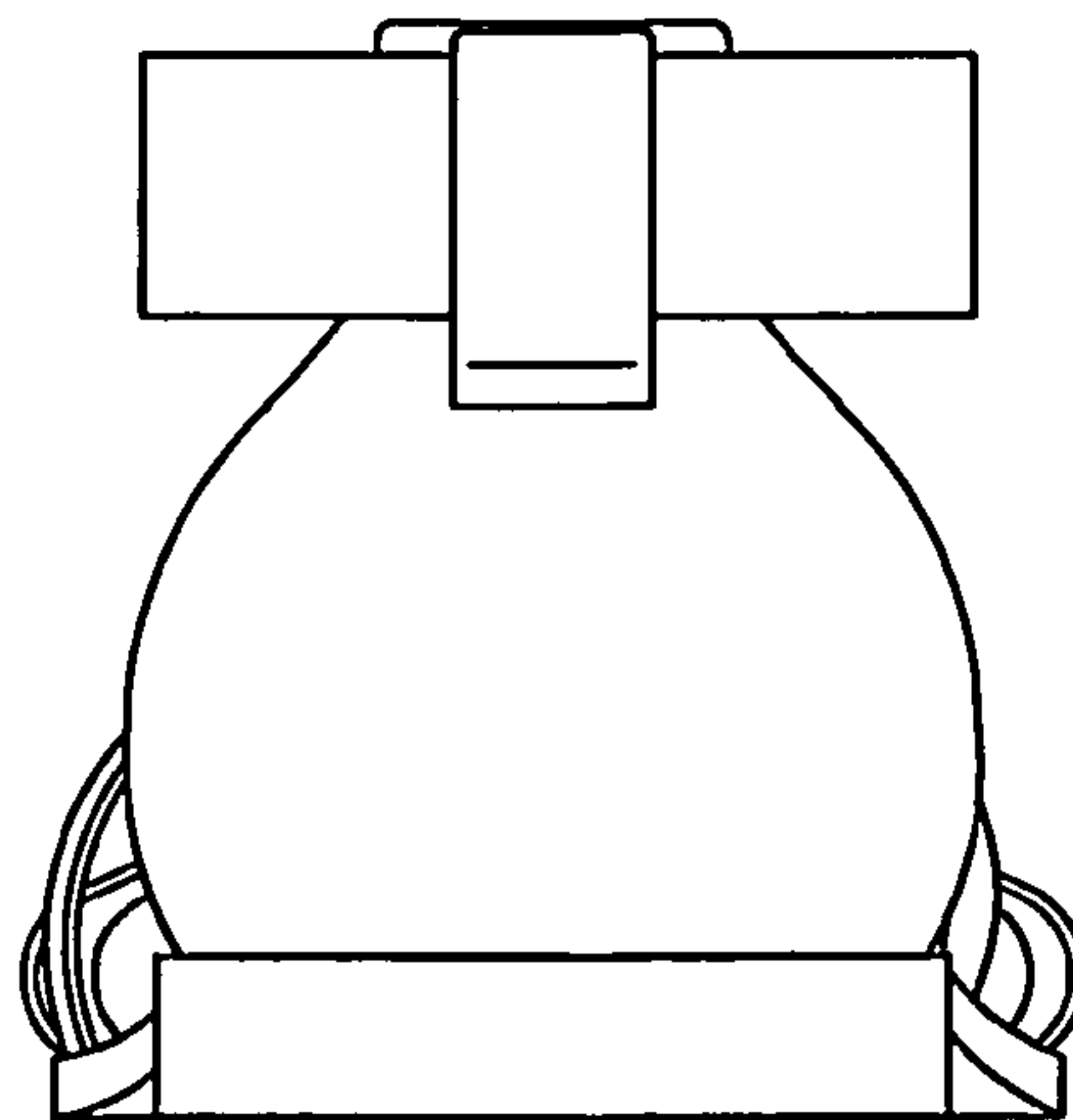


Fig. 3

Fig. 4

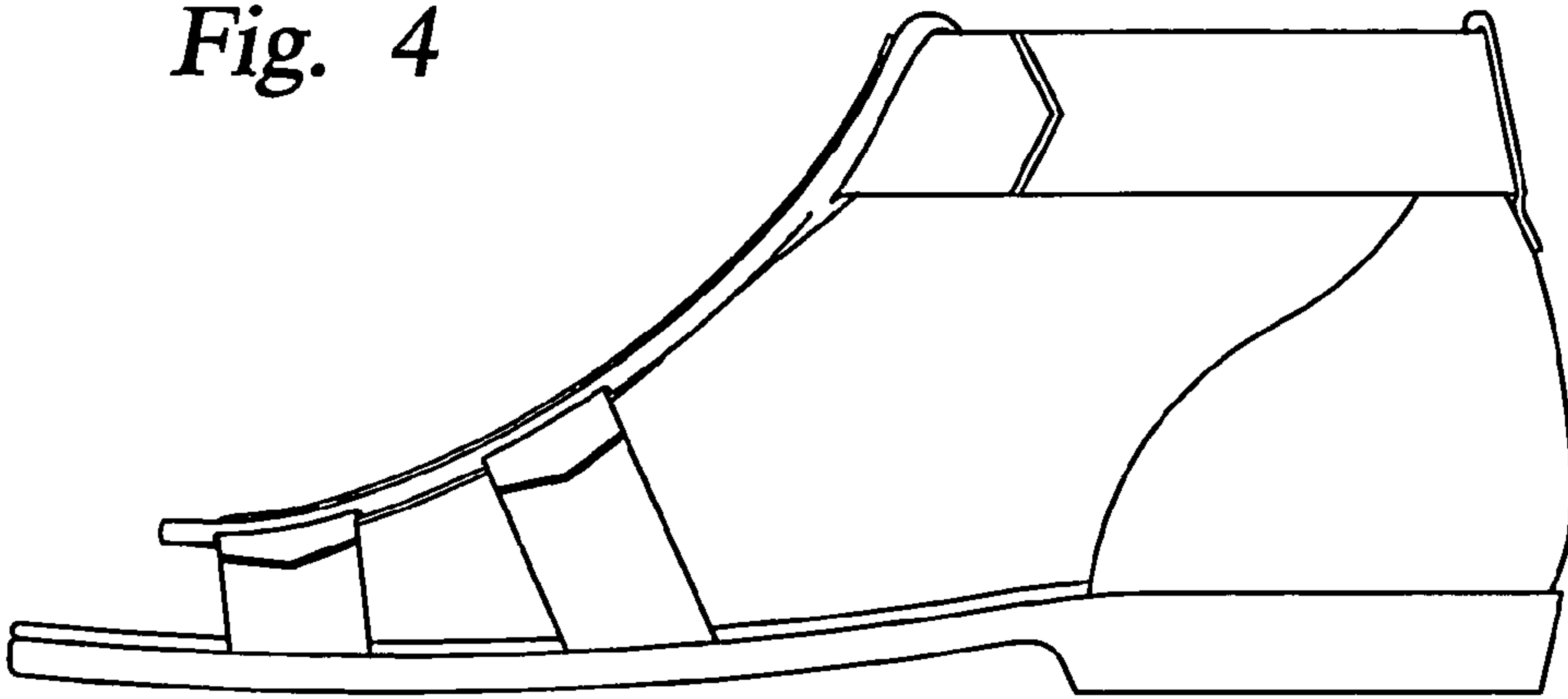


Fig. 5

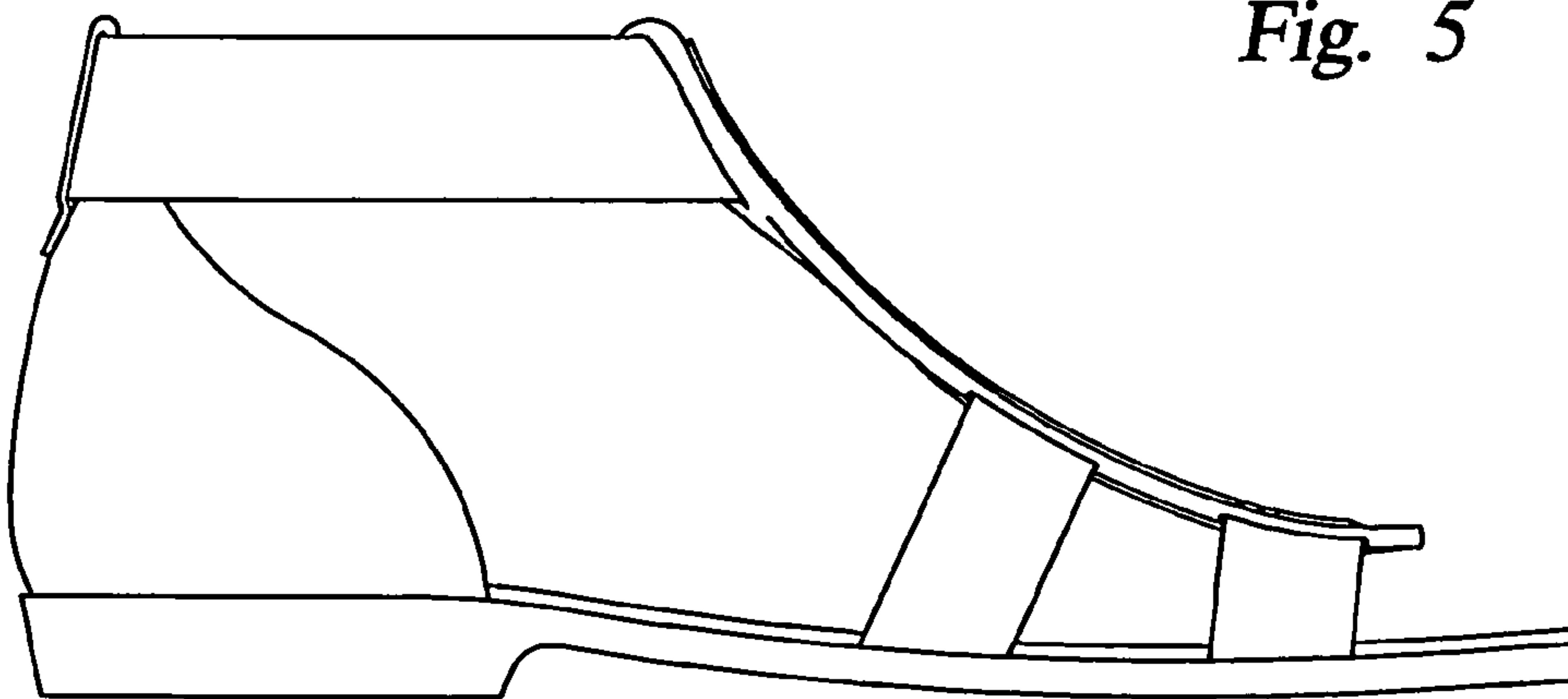


Fig. 6

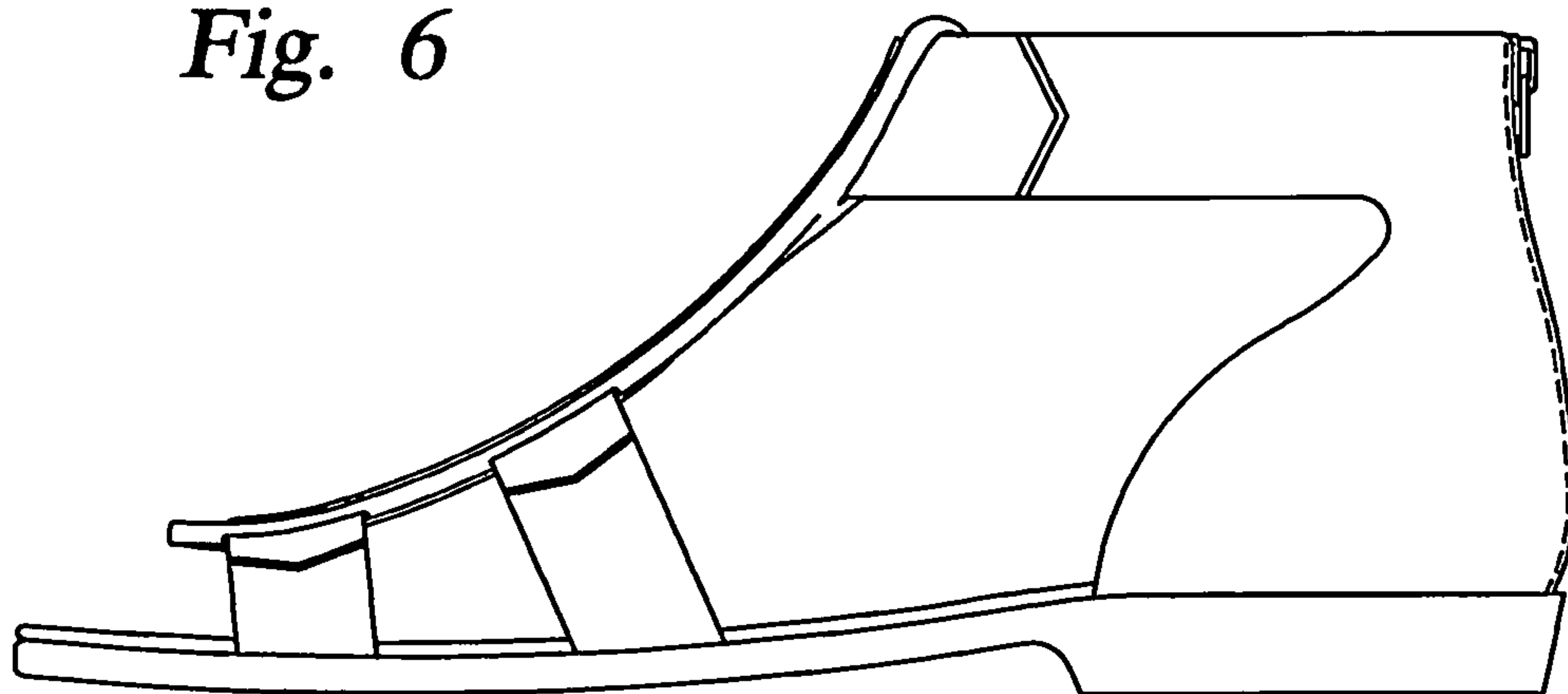


Fig. 7

