



US00D708821S

(12) **United States Design Patent**
Iamartino

(10) **Patent No.:** **US D708,821 S**
(45) **Date of Patent:** **** Jul. 15, 2014**

- (54) **BRA**
- (71) Applicant: **Antonia Iamartino**, Vancouver (CA)
- (72) Inventor: **Antonia Iamartino**, Vancouver (CA)
- (73) Assignee: **Lululemon Athletica Canada Inc.**,
Vancouver (CA)
- (**) Term: **14 Years**
- (21) Appl. No.: **29/434,664**
- (22) Filed: **Oct. 16, 2012**
- (51) **LOC (10) Cl.** **02-01**
- (52) **U.S. Cl.**
USPC **D2/708**
- (58) **Field of Classification Search**
USPC D2/700, 701, 702, 703, 704, 705, 706,
D2/707, 708, 709, 710, 731, 737, 793, 829,
D2/841; 2/67, 69, 104, 109; 450/1, 2, 34,
450/86
See application file for complete search history.

D469,240	S	*	1/2003	Weinberg et al.	D2/700
D506,592	S	*	6/2005	Mone et al.	D2/714
7,306,505	B2	*	12/2007	Barbour et al.	450/30
D561,427	S	*	2/2008	Saraceno et al.	D2/706
D570,576	S	*	6/2008	Seraceno et al.	D2/706
7,442,110	B2	*	10/2008	Gaudet et al.	450/39
7,553,213	B2	*	6/2009	Smith et al.	450/86
D597,278	S	*	8/2009	Cavosie	D2/706
D625,487	S	*	10/2010	Hendrickson	D2/706
D630,410	S	*	1/2011	Hendrickson	D2/703
D638,196	S	*	5/2011	Torres	D2/701
8,167,679	B2	*	5/2012	Seraceno et al.	450/86
D671,297	S	*	11/2012	Iamartino	D2/708
D678,659	S	*	3/2013	Lopez et al.	D2/708
D683,525	S	*	6/2013	Iamartino	D2/840
2011/0217903	A1	*	9/2011	Harlow	450/54
2012/0021669	A1	*	1/2012	Johnstone	450/58
2013/0303052	A1	*	11/2013	Conrad	450/89
2014/0031775	A1	*	1/2014	Criss	604/355

* cited by examiner

Primary Examiner — Karen E Eldridge Powers
(74) *Attorney, Agent, or Firm* — McCarthy Tétrault LLP

(57) **CLAIM**
The ornamental design for a bra, as shown and described.

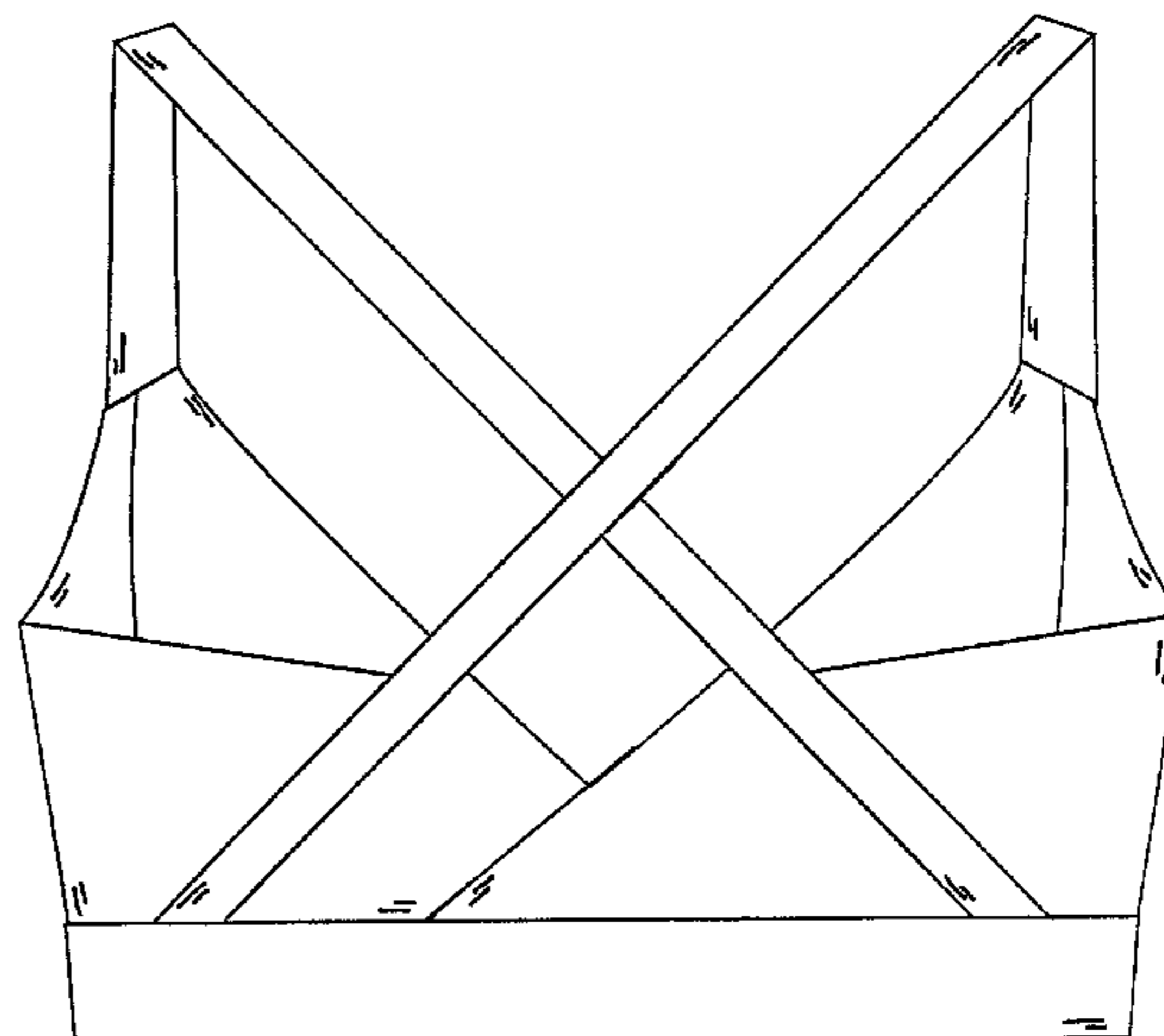
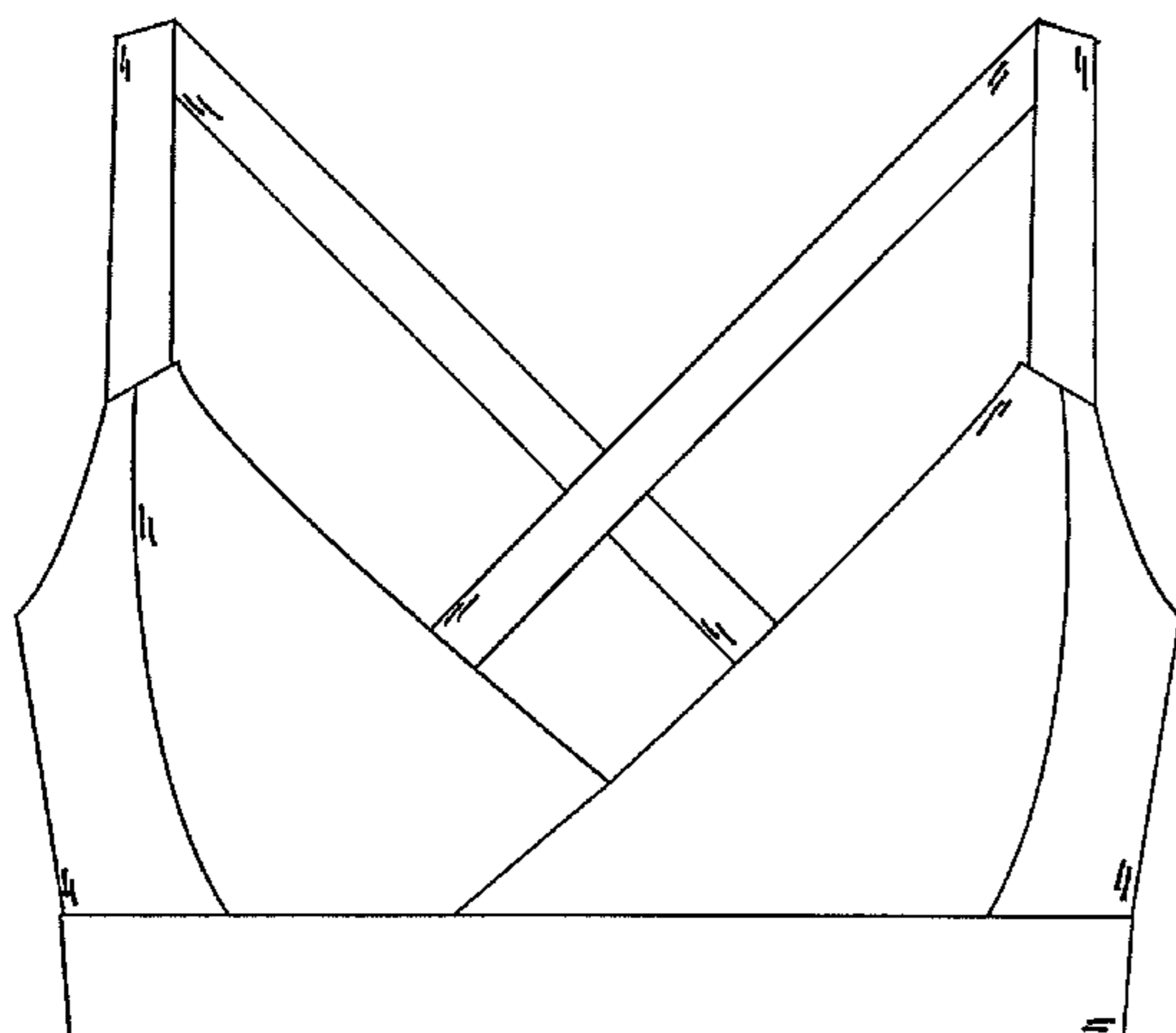
(56) **References Cited**
U.S. PATENT DOCUMENTS

2,050,064	A	*	8/1936	Neal	450/28
D140,752	S	*	4/1945	Laszlo	D2/737
D175,741	S	*	10/1955	Rosenthal	D2/707
2,897,821	A	*	8/1959	Lerner	450/55
D259,370	S	*	6/1981	Schreiber et al.	D2/708
D281,924	S	*	12/1985	Martini	D2/707
D351,711	S	*	10/1994	Mattson	D2/708
6,068,538	A	*	5/2000	Alleyne	450/58

DESCRIPTION

FIG. 1 is a front view of a bra according to the design;
FIG. 2 is a rear view thereof;
FIG. 3 is a right side view thereof;
FIG. 4 is a left side view thereof;
FIG. 5 is a top view thereof; and,
FIG. 6 is a front perspective view thereof.

1 Claim, 6 Drawing Sheets



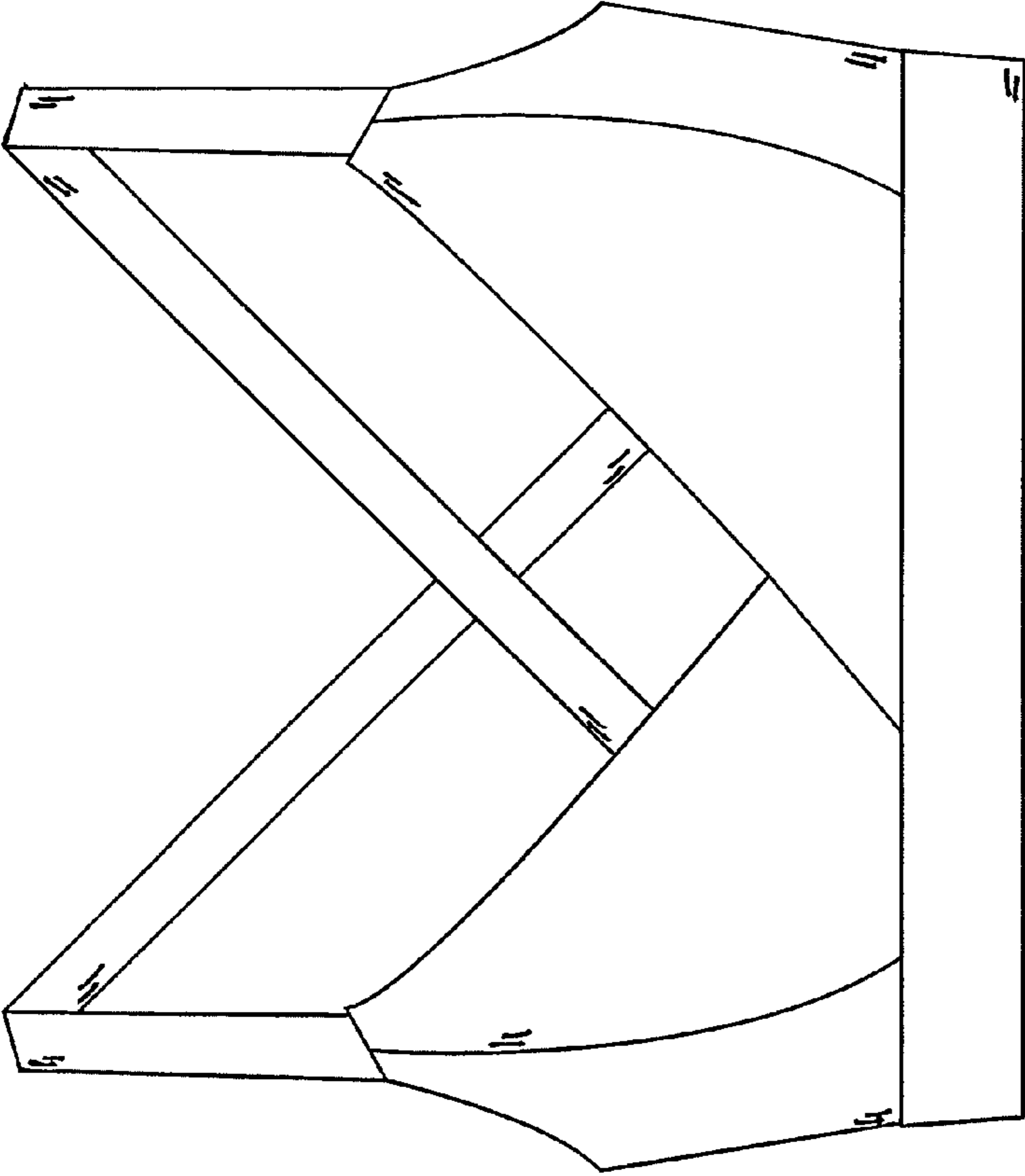


Fig. 1

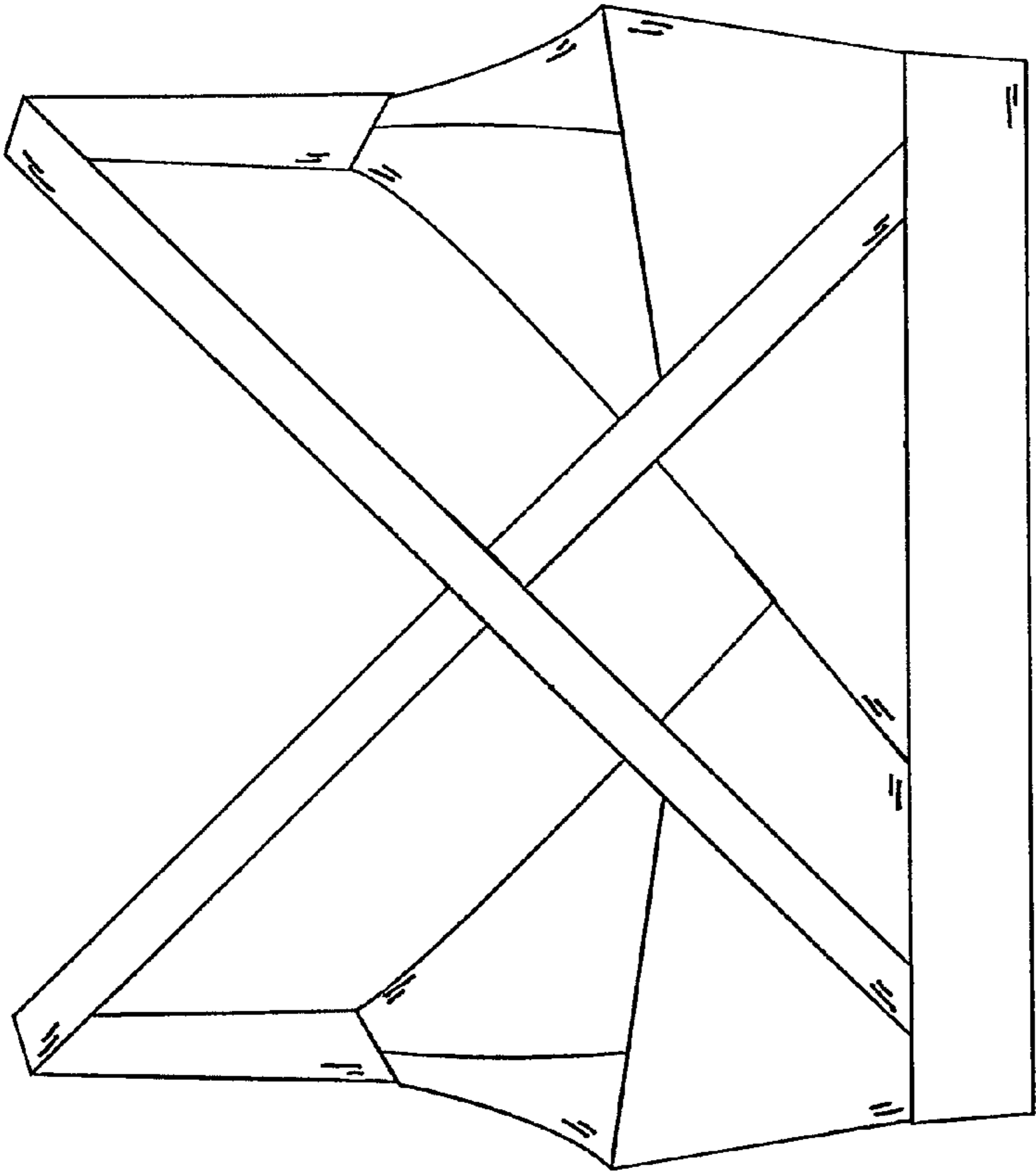


Fig. 2

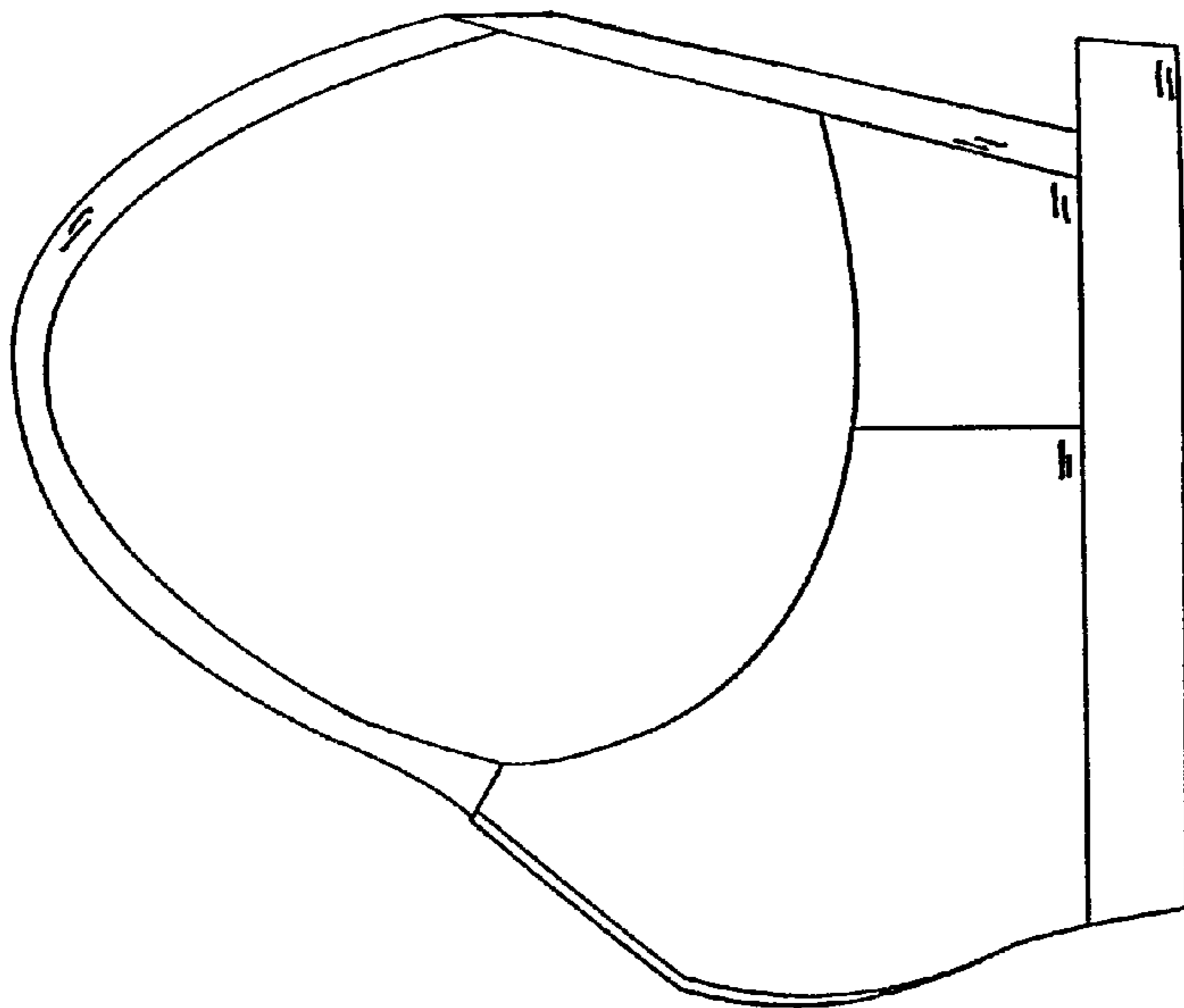


Fig. 3

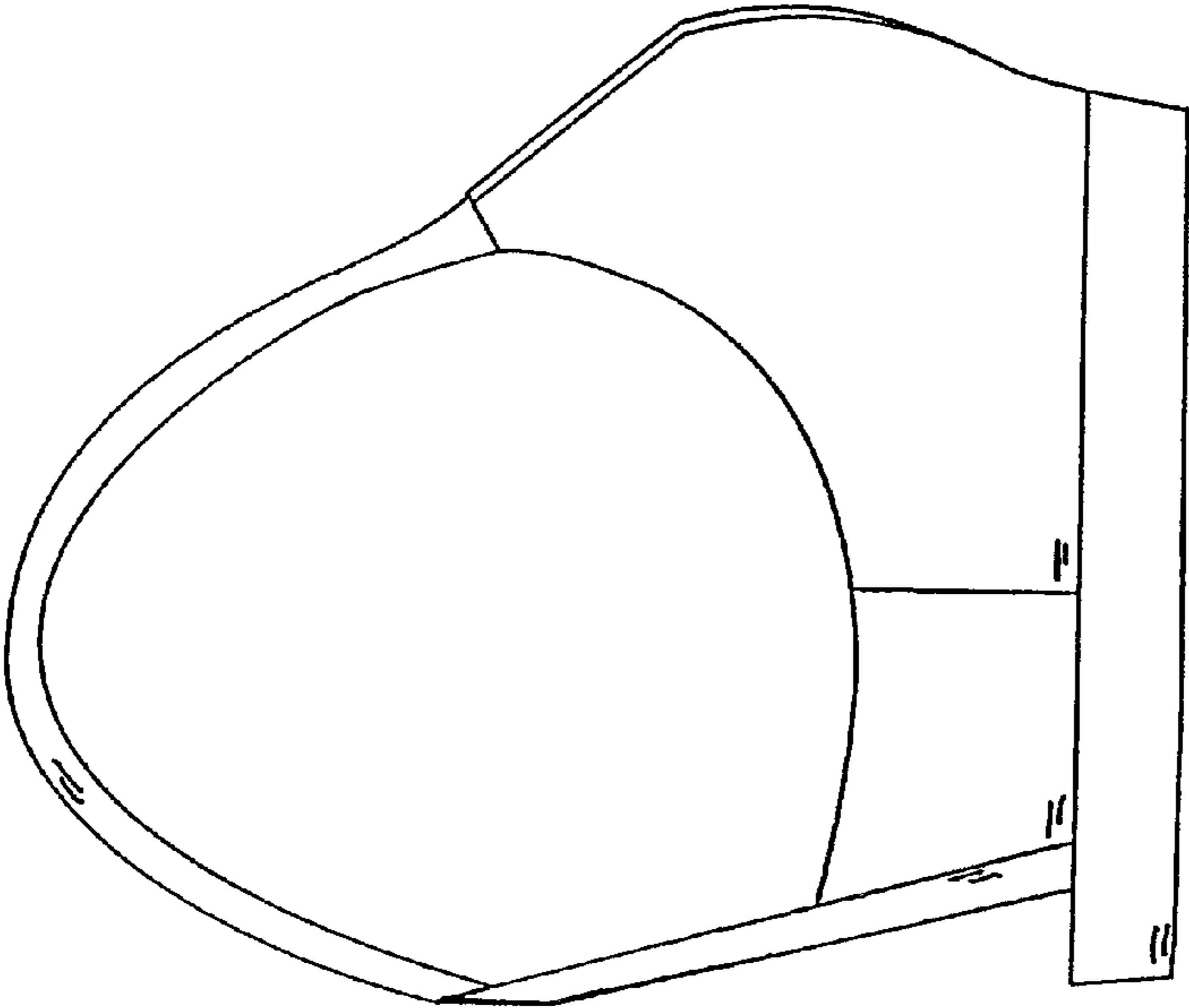


Fig 4

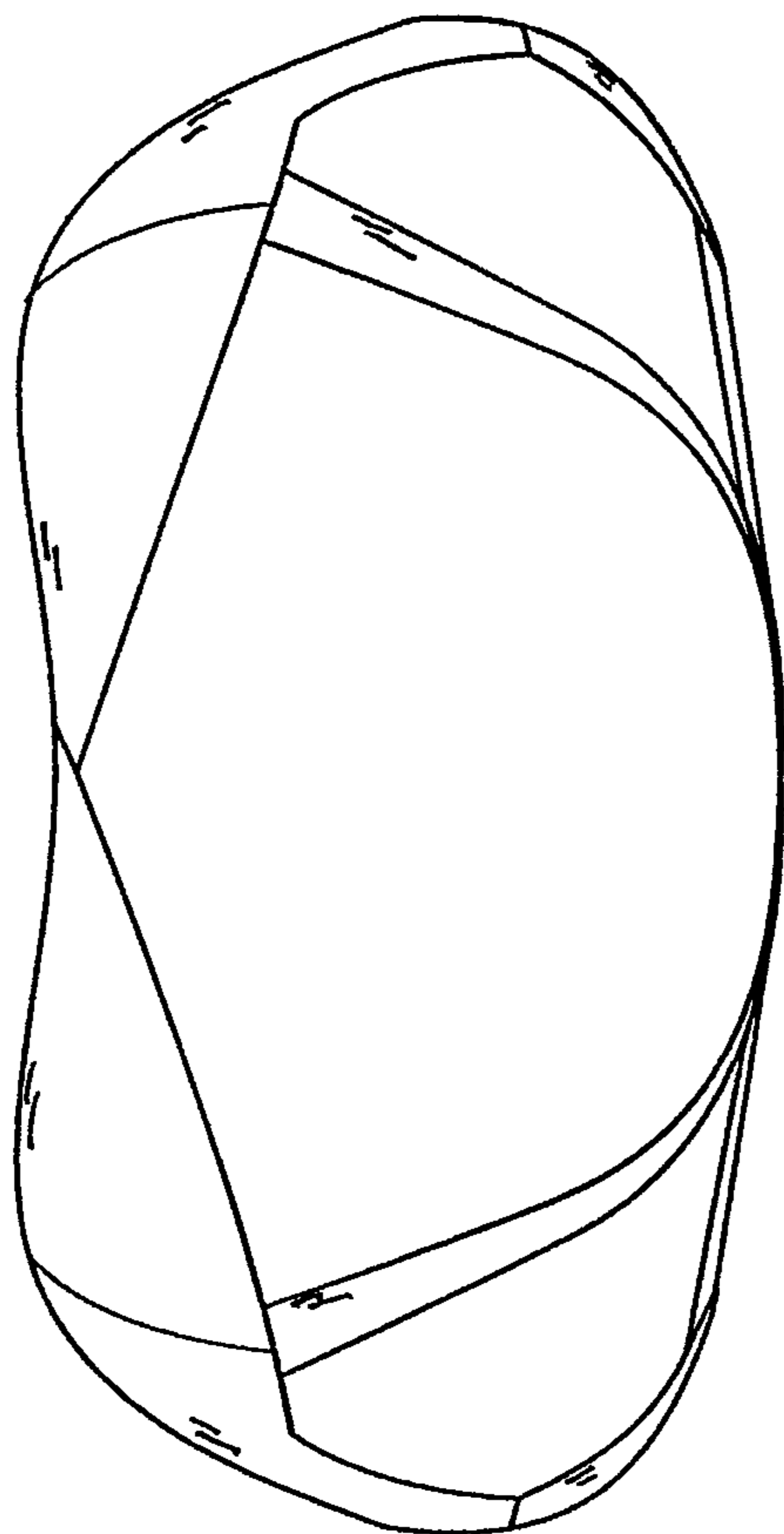


Fig. 5

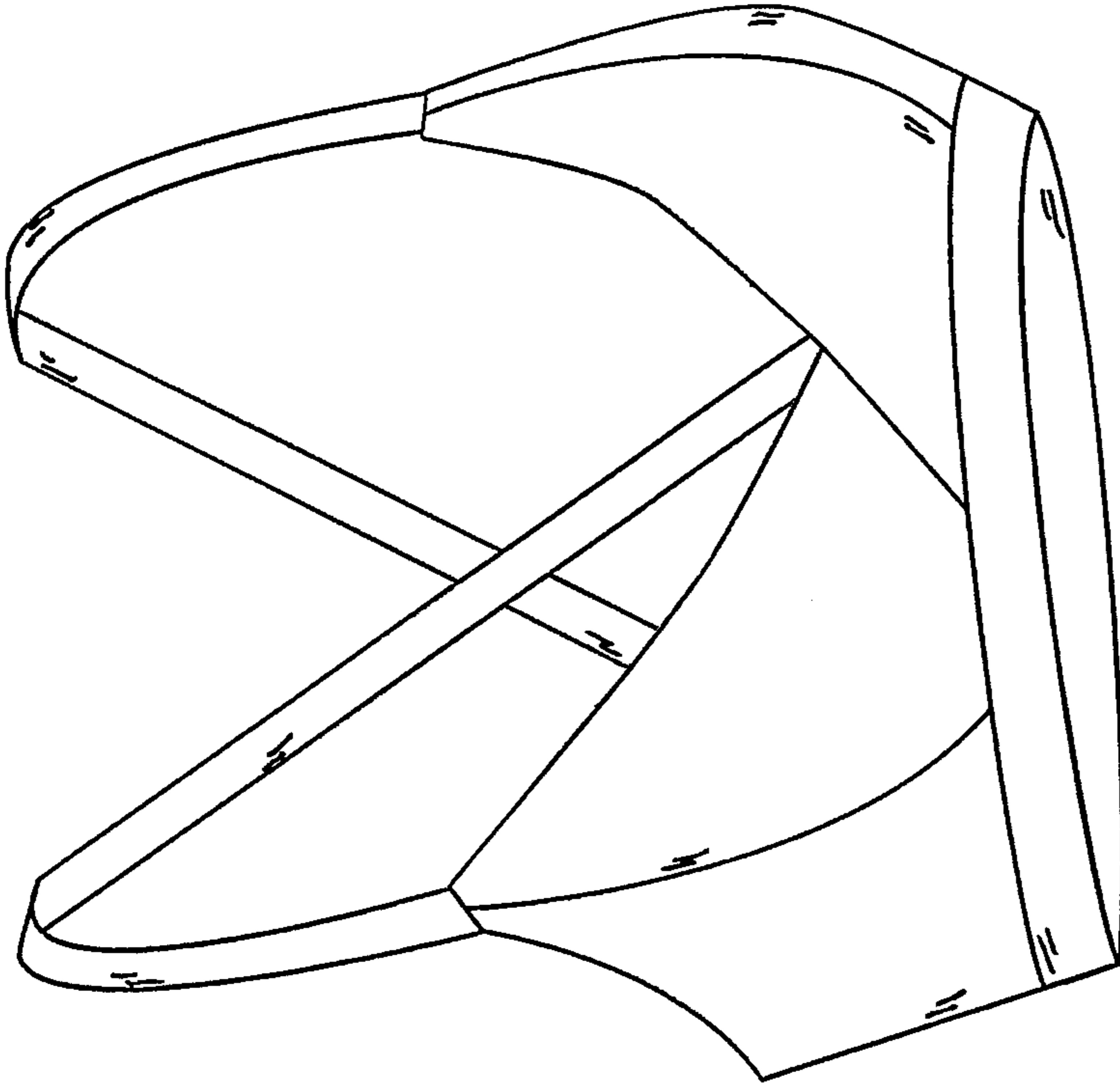


Fig. 6