



US00D708820S

(12) **United States Design Patent**
Iamartino et al.

(10) **Patent No.:** **US D708,820 S**
(45) **Date of Patent:** **** Jul. 15, 2014**

- (54) **BRA**
- (75) Inventors: **Antonia Iamartino**, Vancouver (CA);
Natalie Anne Martz, Vancouver (CA)
- (73) Assignee: **Lululemon Athletica Canada Inc.**,
Vancouver (CA)
- (**) Term: **14 Years**
- (21) Appl. No.: **29/418,347**
- (22) Filed: **Apr. 16, 2012**
- (51) **LOC (10) Cl.** **02-01**
- (52) **U.S. Cl.**
USPC **D2/708**
- (58) **Field of Classification Search**
CPC A41C 3/0057; A41C 3/0014
USPC D2/700, 701, 702, 703, 704, 705, 706,
D2/707, 708, 709, 710, 731, 737, 793, 829,
D2/841; 2/67, 69, 104, 109; 450/1, 2, 34,
450/86
See application file for complete search history.

D630,410	S	*	1/2011	Hendrickson	D2/703
D638,196	S	*	5/2011	Torres	D2/701
D668,837	S	*	10/2012	Palladino	D2/708
2011/0217903	A1	*	9/2011	Harlow	450/54
2012/0021669	A1	*	1/2012	Johnstone	450/58
2014/0031775	A1	*	1/2014	Criss	604/355

FOREIGN PATENT DOCUMENTS

KR 300439482 * 2/2007

* cited by examiner

Primary Examiner — Karen E Eldridge Powers

(74) *Attorney, Agent, or Firm* — McCarthy Tétrault LLP

(57) **CLAIM**

The ornamental design for a bra, as shown and described.

DESCRIPTION

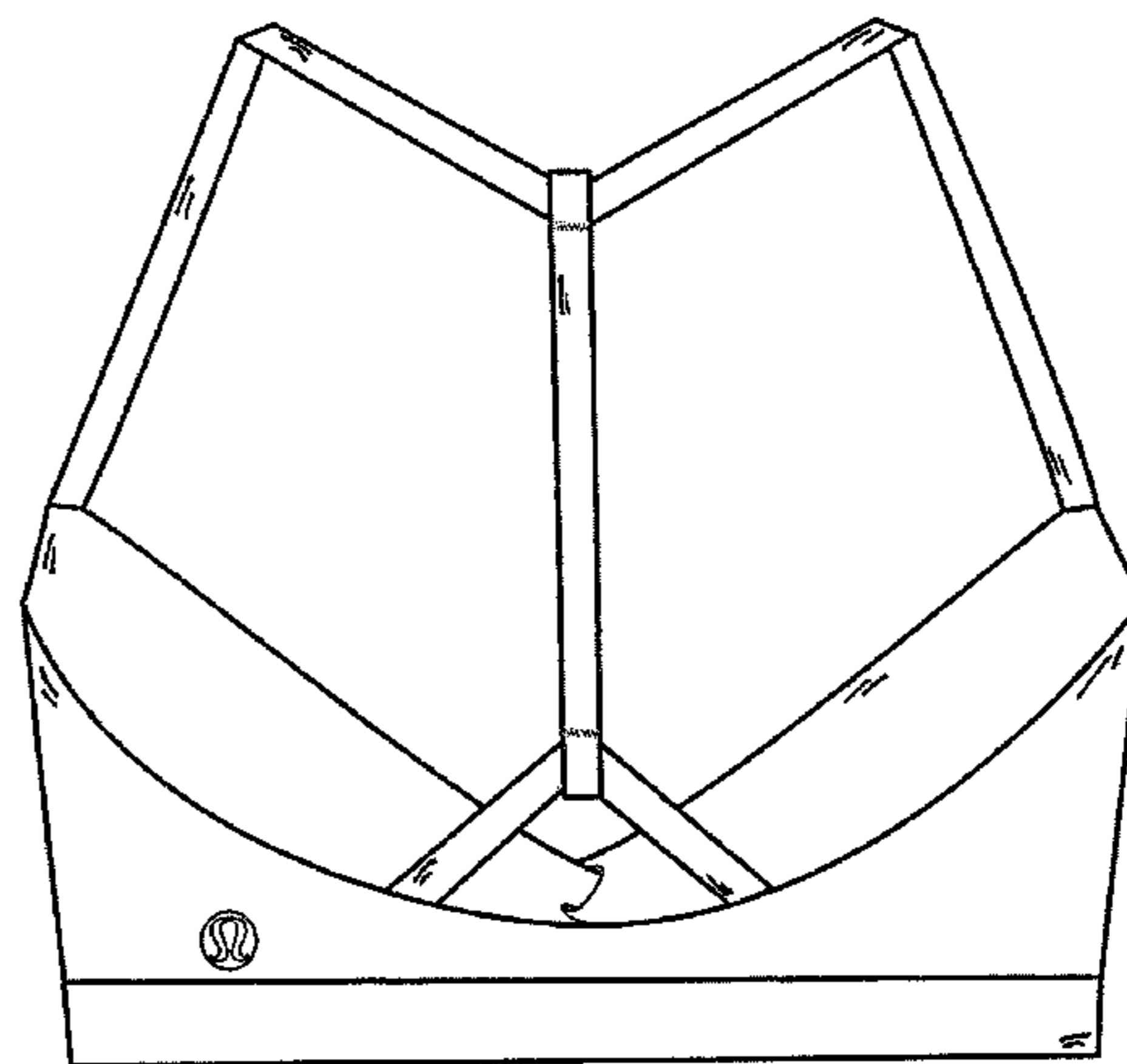
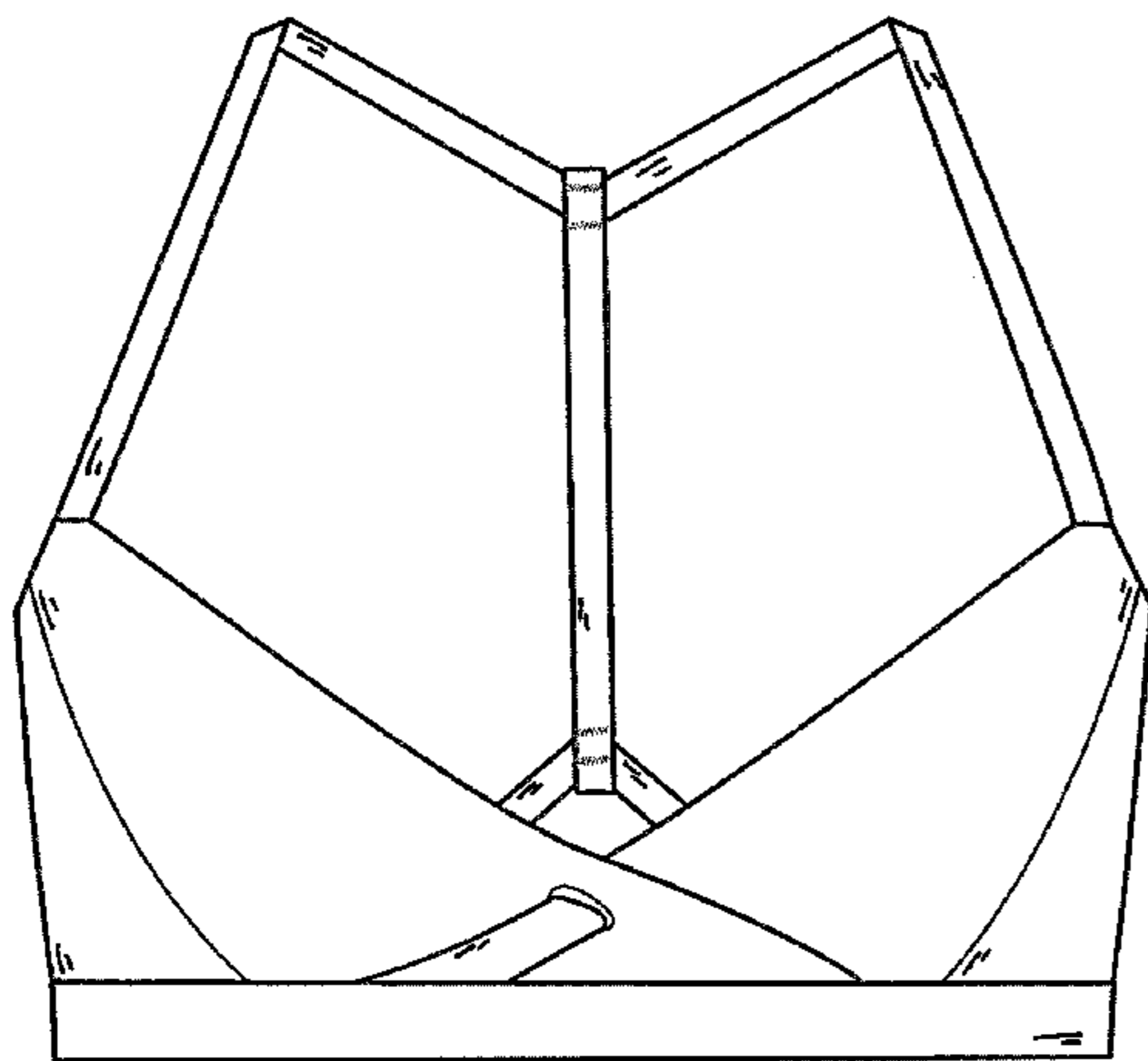
FIG. 1 is a front view of a bra according to a first embodiment of the design;
 FIG. 2 is a rear view thereof;
 FIG. 3 is a right side view thereof;
 FIG. 4 is a left side view thereof;
 FIG. 5 is a top view thereof;
 FIG. 6 is a front perspective view thereof;
 FIG. 7 is a rear view of a bra according to a second embodiment of the design, the front, left side, top, and front perspective views being the same as FIGS. 1 and 4-6, respectively; and,
 FIG. 8 is a right side view thereof.
 The symbol depicted in FIGS. 7-8 forming part of the claimed design is a registered trademark of Lululemon Athletica Canada Inc.

(56) **References Cited**

U.S. PATENT DOCUMENTS

D95,575	S	*	5/1935	Blood	D2/708
D107,362	S	*	12/1937	Rosenthal	D2/708
2,102,801	A	*	12/1937	Kunstadter	450/7
D175,741	S	*	10/1955	Rosenthal	D2/707
3,623,487	A	*	11/1971	Chiu	450/43
D281,924	S	*	12/1985	Martini	D2/707
6,068,538	A	*	5/2000	Alleyne	450/58
7,306,505	B2	*	12/2007	Barbour et al.	450/30
D597,278	S	*	8/2009	Cavosie	D2/706

1 Claim, 8 Drawing Sheets



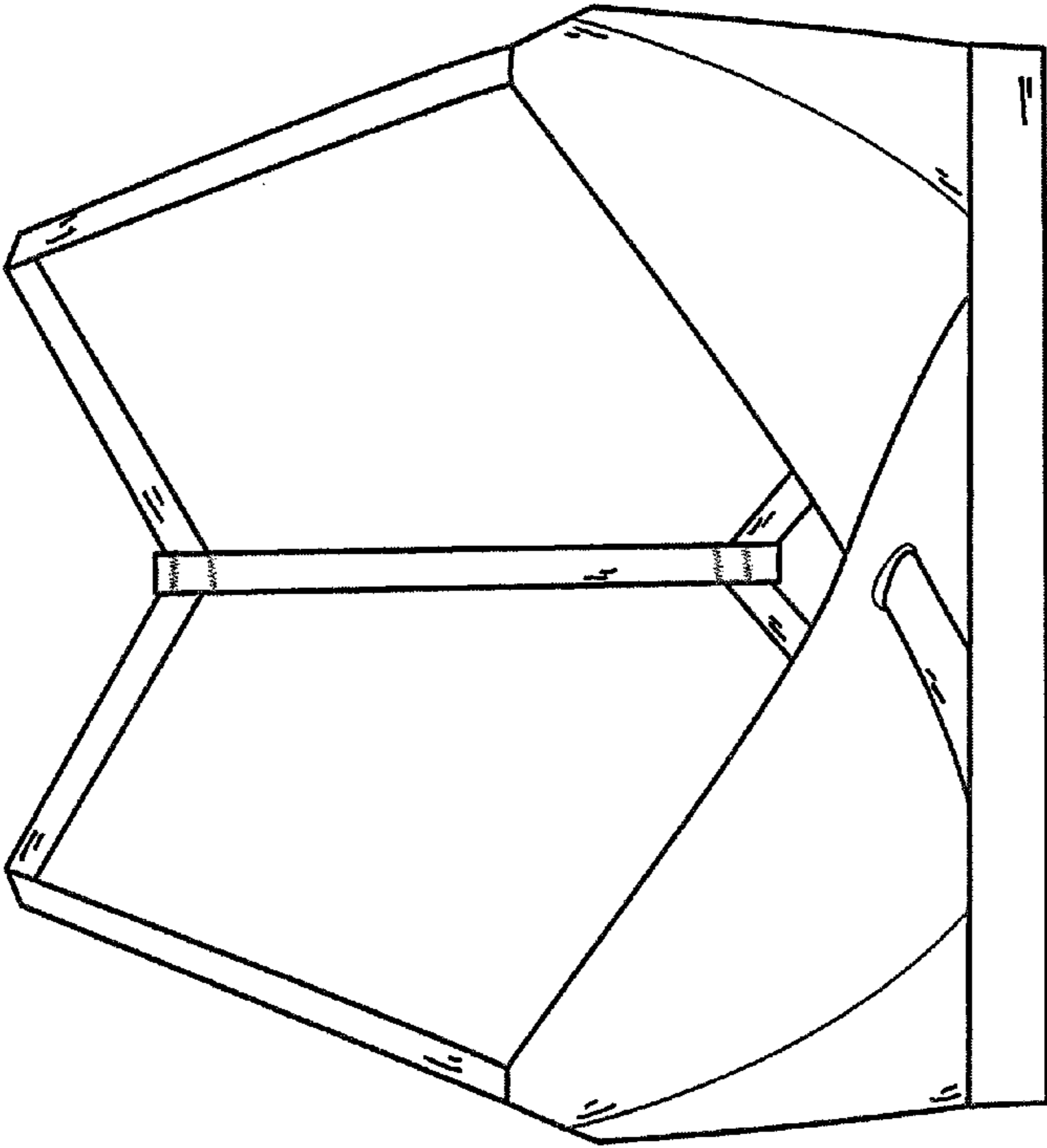


Fig. 1

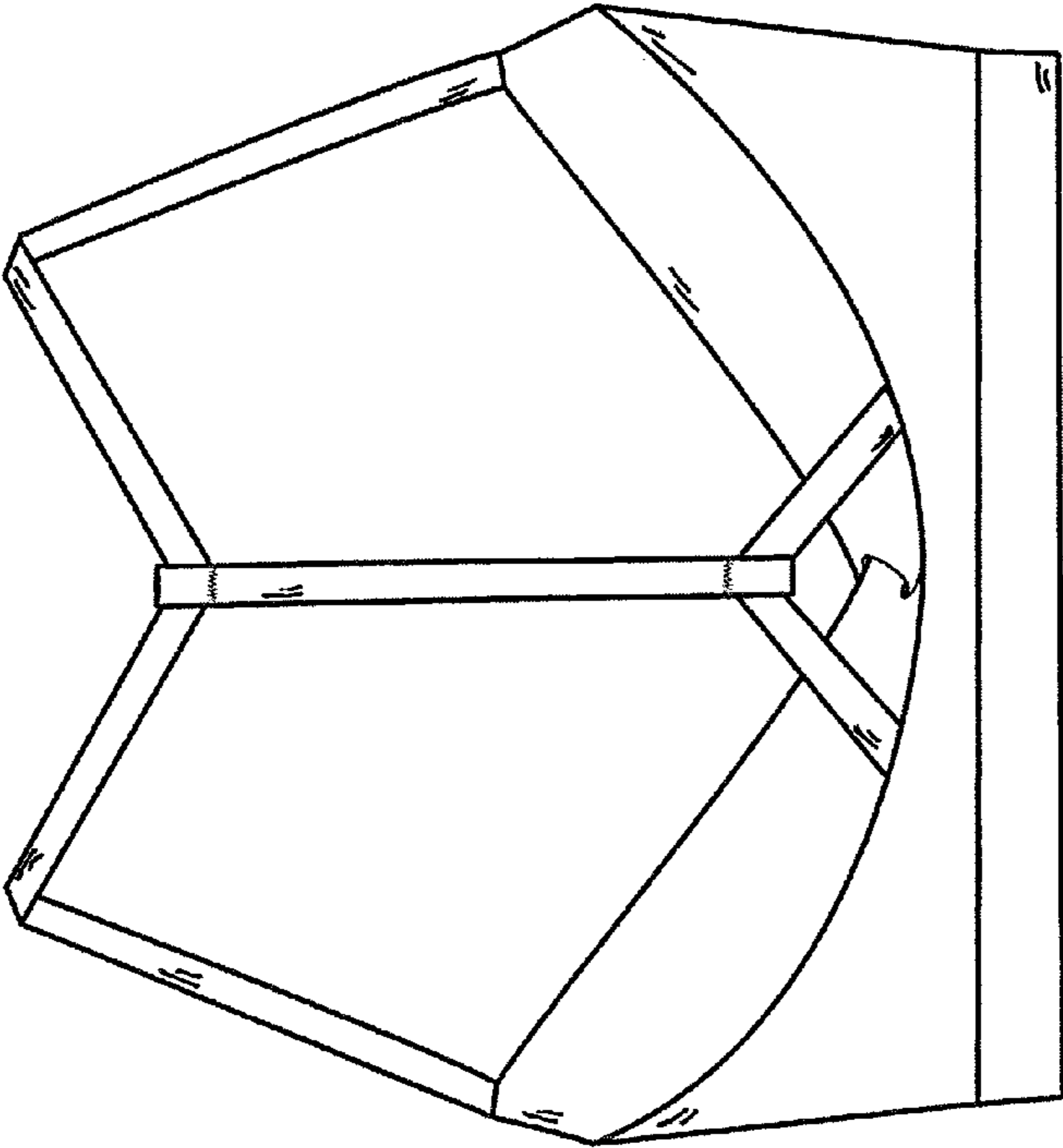


Fig. 2

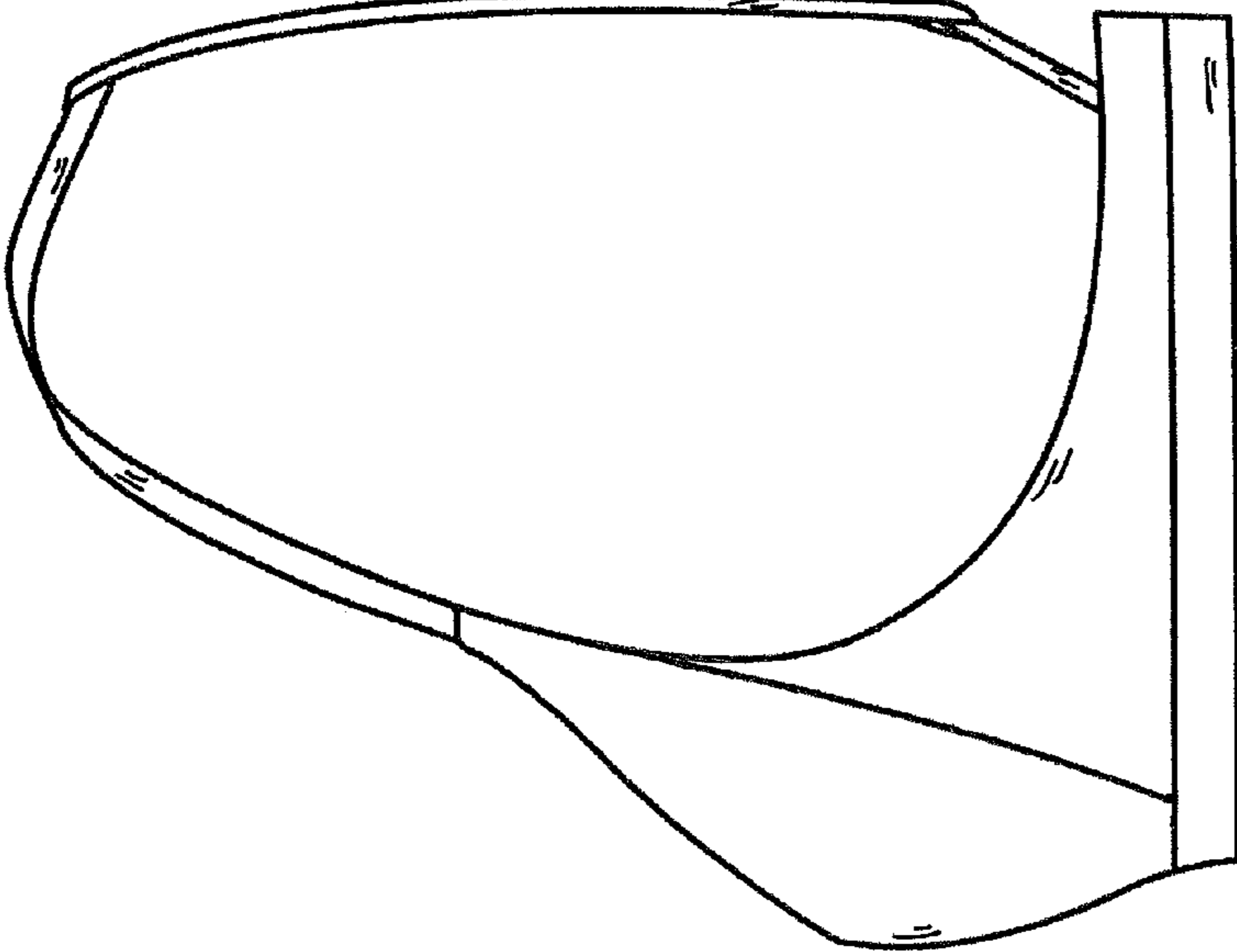
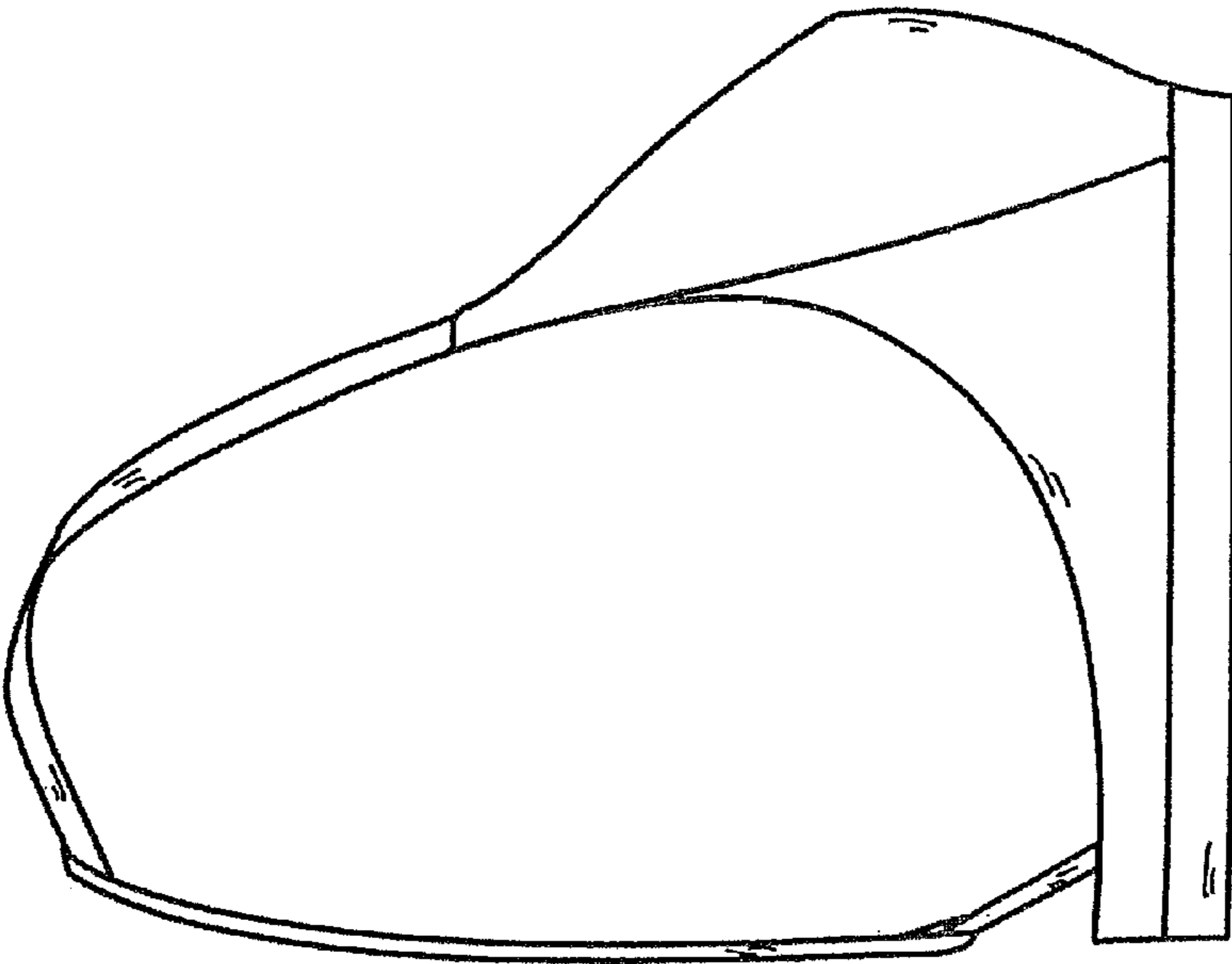


Fig. 3

Fig. 4



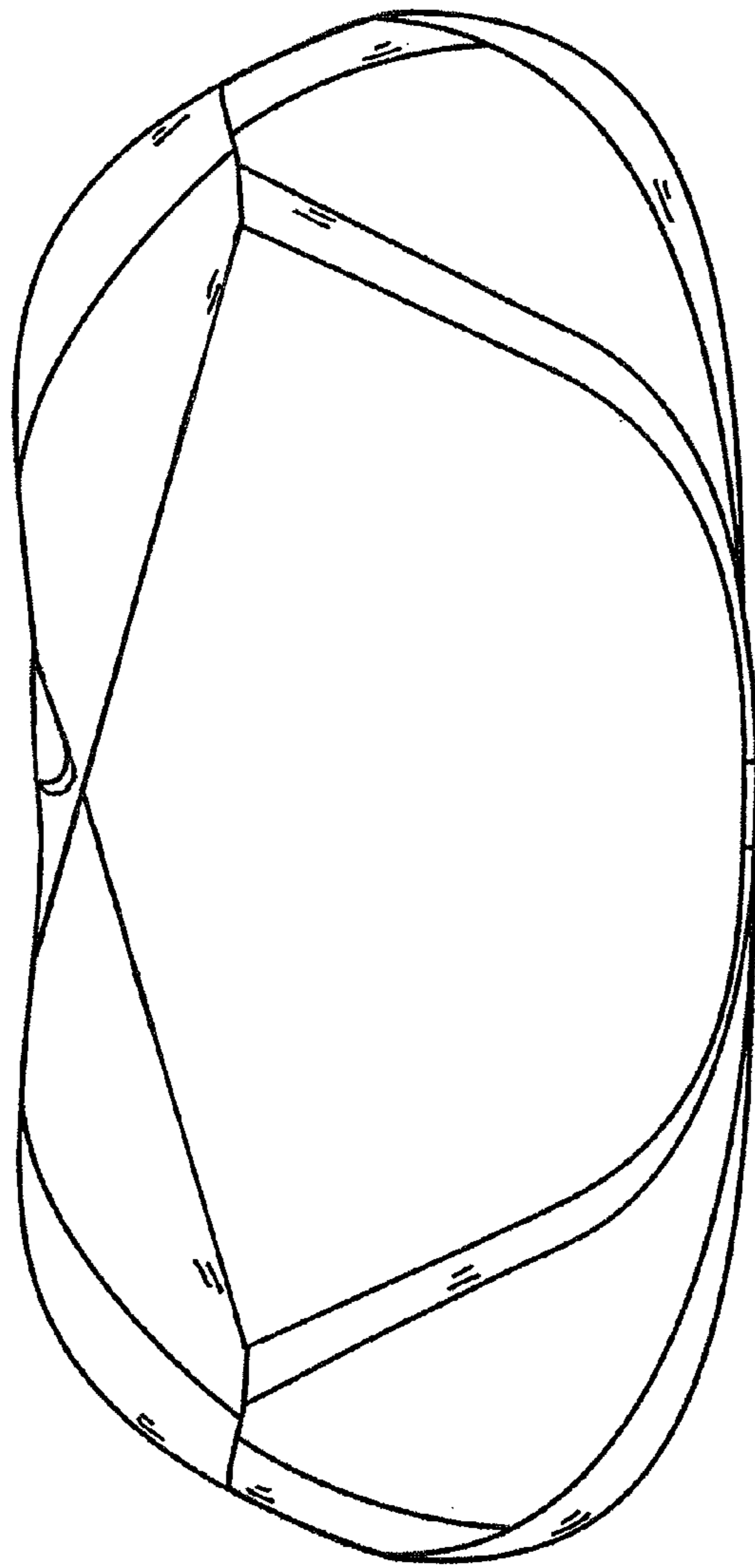


Fig. 5

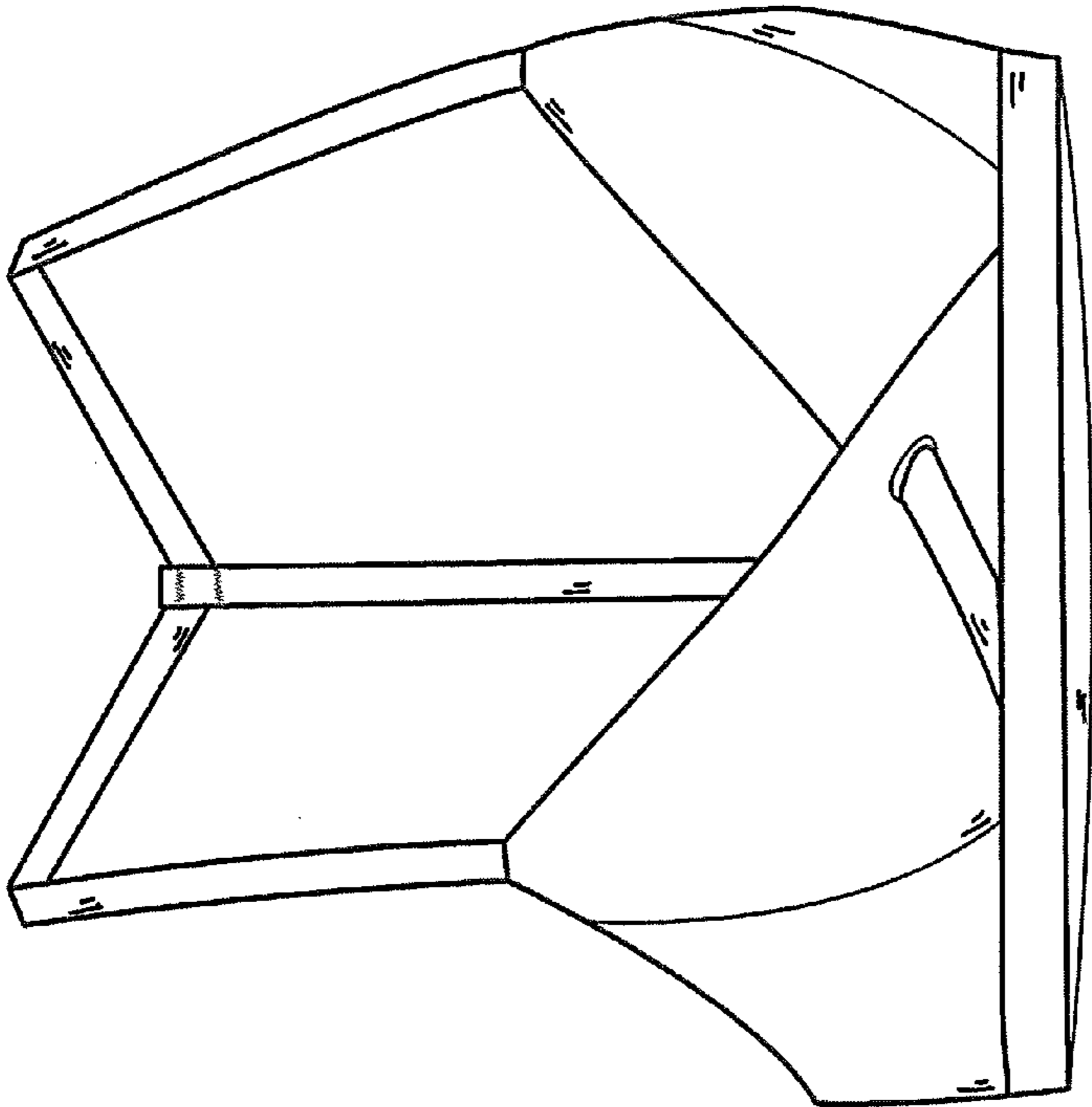


Fig. 6

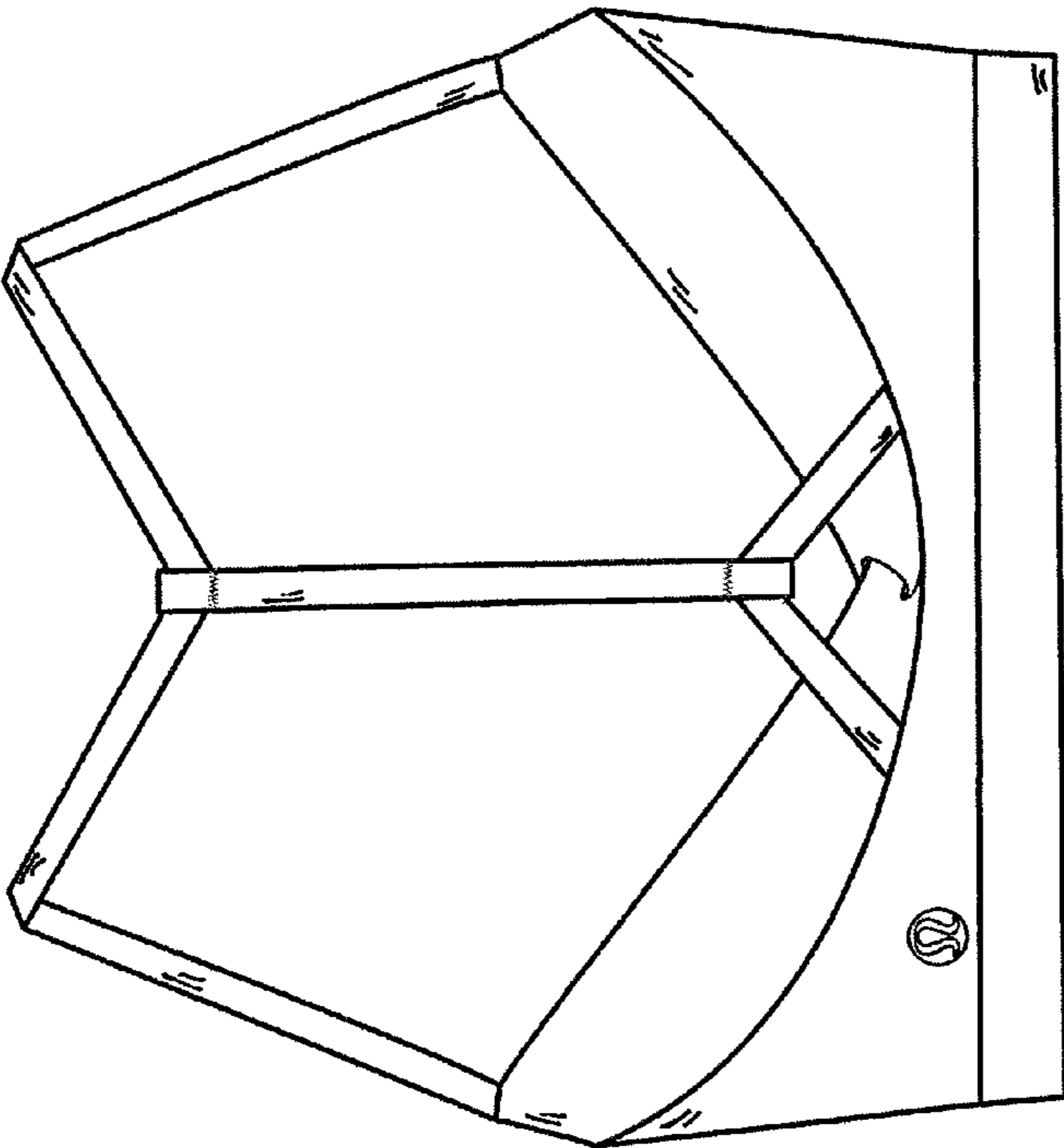


Fig. 7

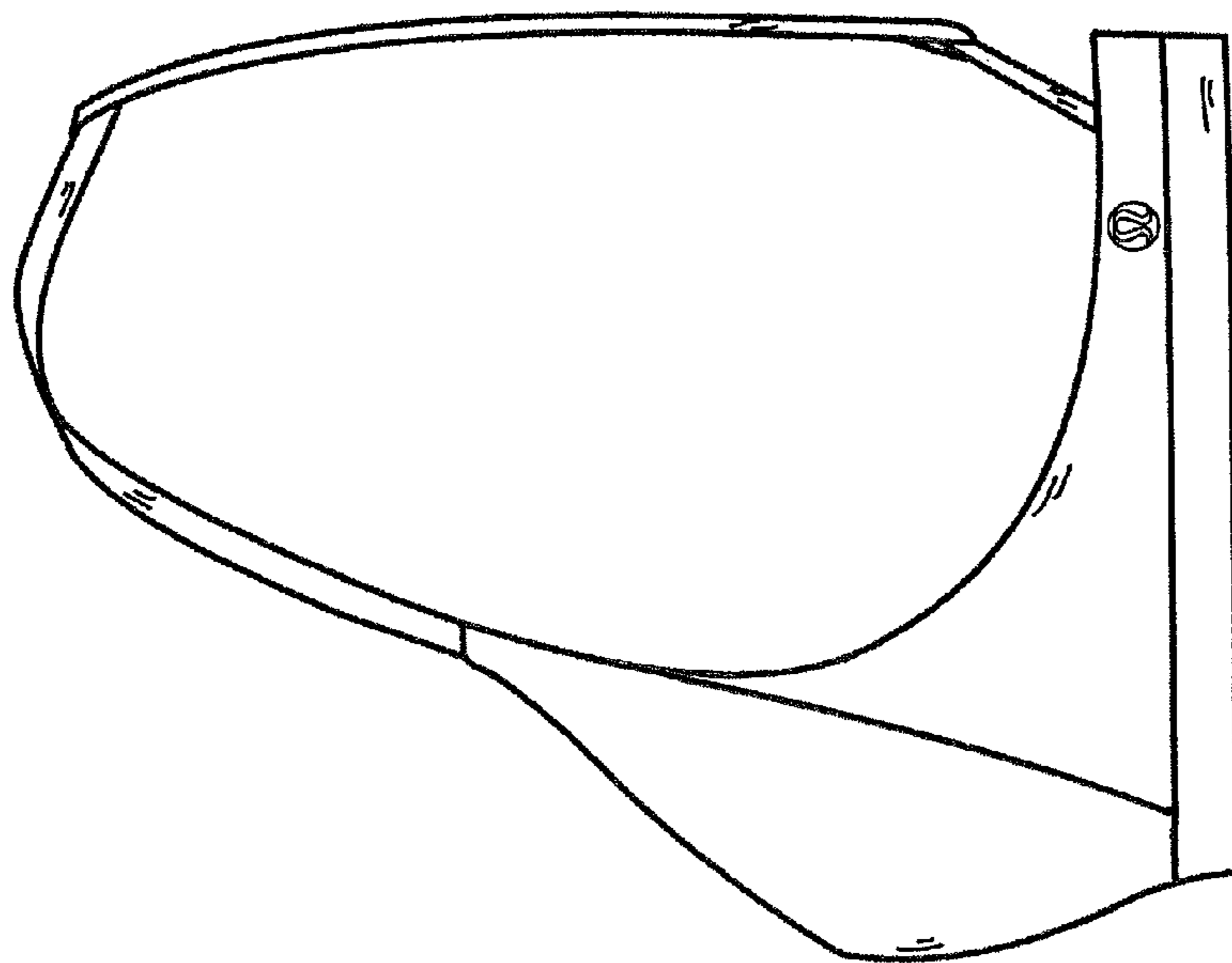


Fig. 8