



US00D708817S

(12) **United States Design Patent**  
**Axelrod et al.**

(10) **Patent No.:** **US D708,817 S**  
(45) **Date of Patent:** **\*\* Jul. 15, 2014**

(54) **MULTI-PRONG PET CHEW**  
(71) Applicant: **T.F.H. Publications, Inc.**, Neptune City, NJ (US)  
(72) Inventors: **Glen S. Axelrod**, Colts Neck, NJ (US); **Ajay Gajria**, Maharashtra (IN)  
(73) Assignee: **T.F.H. Publications, Inc.**, Neptune City, NJ (US)  
(\*\*) Term: **14 Years**  
(21) Appl. No.: **29/462,799**

(22) Filed: **Aug. 8, 2013**  
(51) **LOC (10) Cl.** ..... **01-01**  
(52) **U.S. Cl.**  
USPC ..... **D1/106; D30/160**  
(58) **Field of Classification Search**  
USPC ..... D1/100-130, 199; 426/5, 76, 87, 92, 426/94, 95, 99, 101, 103, 104, 108, 426/138-139, 143, 144, 279, 282, 283, 391, 426/514, 549, 559, 560, 660, 808; D21/385, 386; D30/160; D11/90, 157; 40/310; 119/710; 2/60, 98, 116, 2/123-124, 127, 129, 136, 141.1, 155; 249/117, 137; 606/235  
See application file for complete search history.

(56) **References Cited**

**U.S. PATENT DOCUMENTS**

2,408,735 A \* 10/1946 Claffin ..... 606/235  
D202,330 S 9/1965 Fisher  
D312,480 S \* 11/1990 Darnell ..... D21/437  
D320,495 S \* 10/1991 Pallesen ..... D1/110  
5,490,678 A \* 2/1996 Darnell ..... 473/590  
D441,506 S 5/2001 Flynn

D523,592 S 6/2006 Wang  
D564,852 S \* 3/2008 Turpin ..... D8/105  
D572,426 S 7/2008 McCollum et al.  
D642,227 S \* 7/2011 Walterscheid ..... D21/437  
D657,116 S \* 4/2012 Tkaczuk ..... D1/106  
D690,897 S \* 10/2013 Toolan et al. .... D1/199  
2007/0224131 A1 9/2007 McCollum et al.

\* cited by examiner

*Primary Examiner* — Deanna L Pratt

*Assistant Examiner* — Katie Mroczka

(74) *Attorney, Agent, or Firm* — Grossman, Tucker, Perreault & Pflieger, PLLC

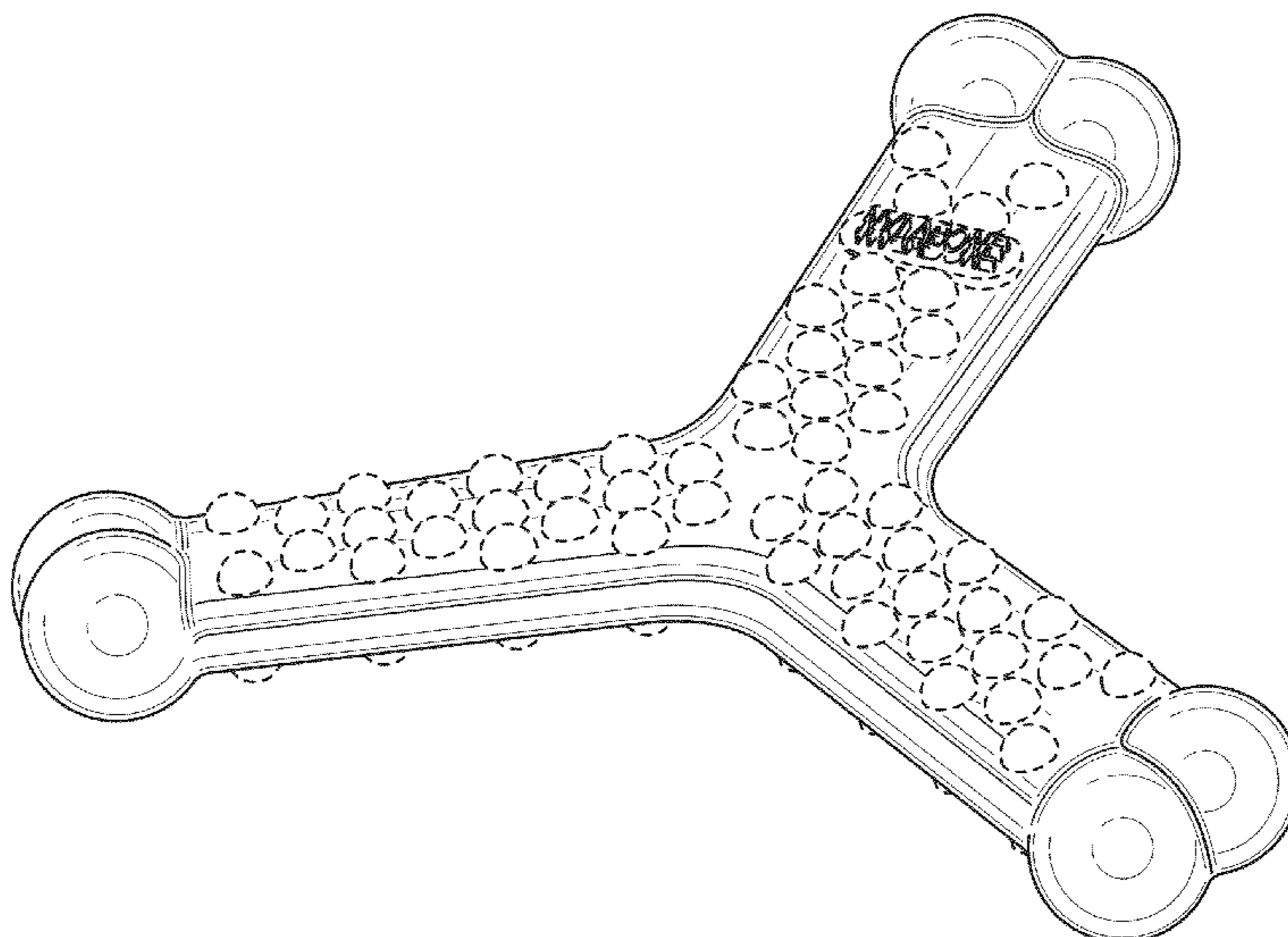
(57) **CLAIM**

The ornamental design for a multi-prong pet chew, as shown and described.

**DESCRIPTION**

FIG. 1 is a perspective view of a first embodiment of a multi-prong pet chew of the present invention; FIG. 2 is a front view of the multi-prong pet chew of FIG. 1; FIG. 3 is a back view of the multi-prong pet chew of FIG. 1; FIG. 4 is a left side view of the multi-prong pet chew of FIG. 1; FIG. 5 is a right side view of the multi-prong pet chew of FIG. 1; FIG. 6 is a top view of the multi-prong pet chew of FIG. 1; FIG. 7 is a bottom view of the multi-prong pet chew of FIG. 1; and, FIG. 8 is a cross-sectional view of the multi-prong pet chew of FIG. 1 taken along line 8-8 of FIG. 2. The broken lines in the drawings illustrate portions of the multi-prong pet chew which form no part of the claimed design.

**1 Claim, 5 Drawing Sheets**



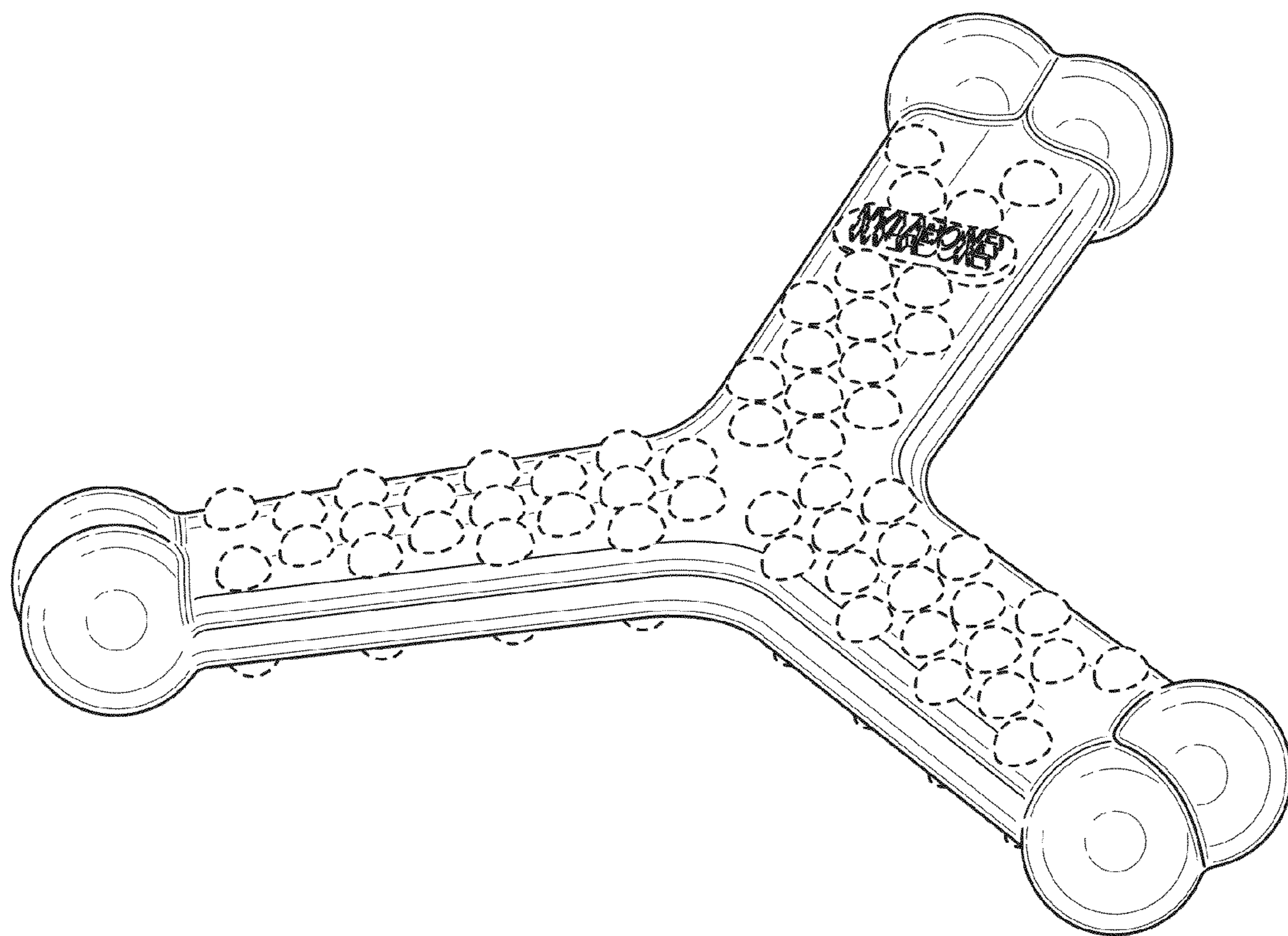


FIG. 1

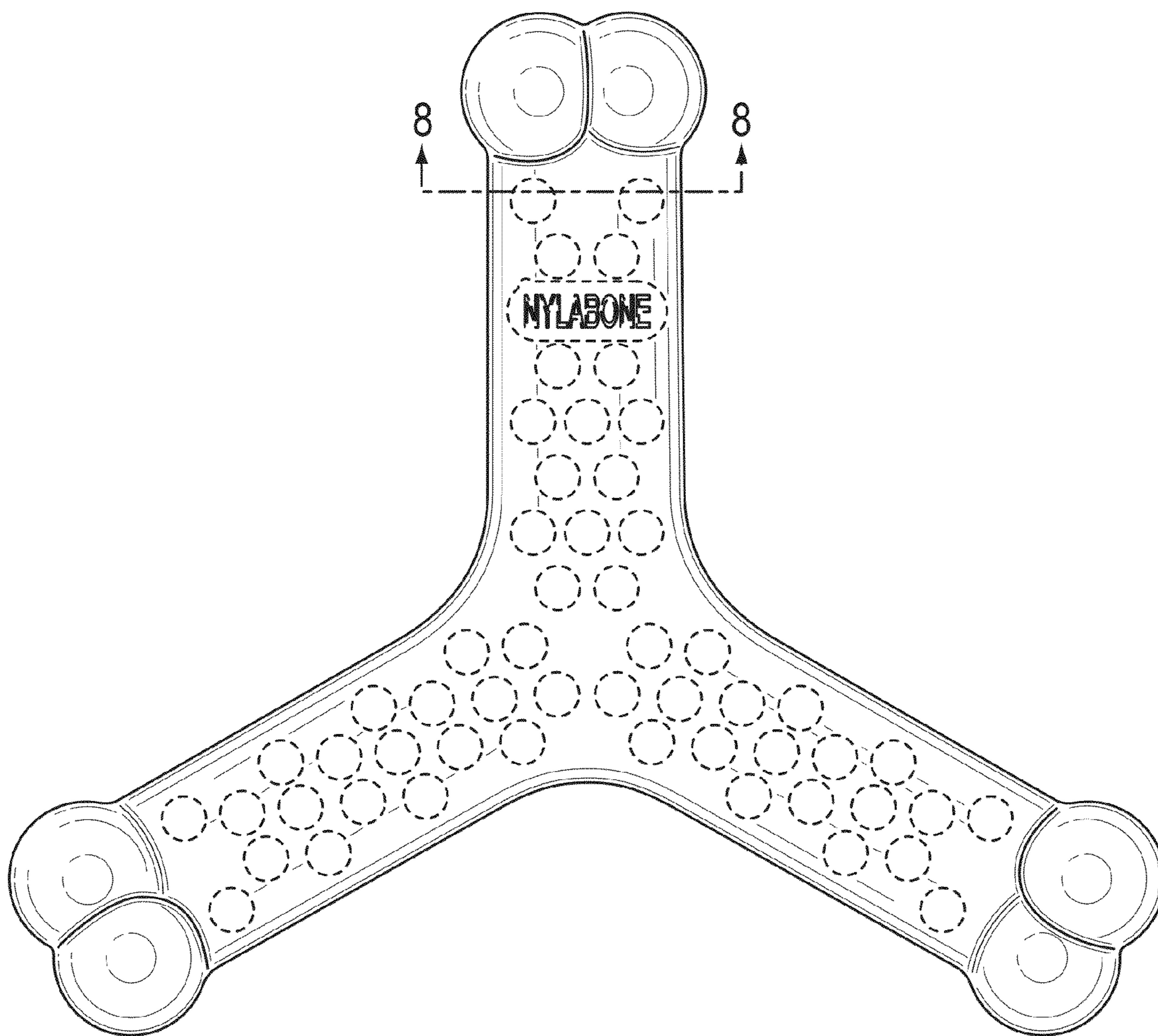


FIG. 2

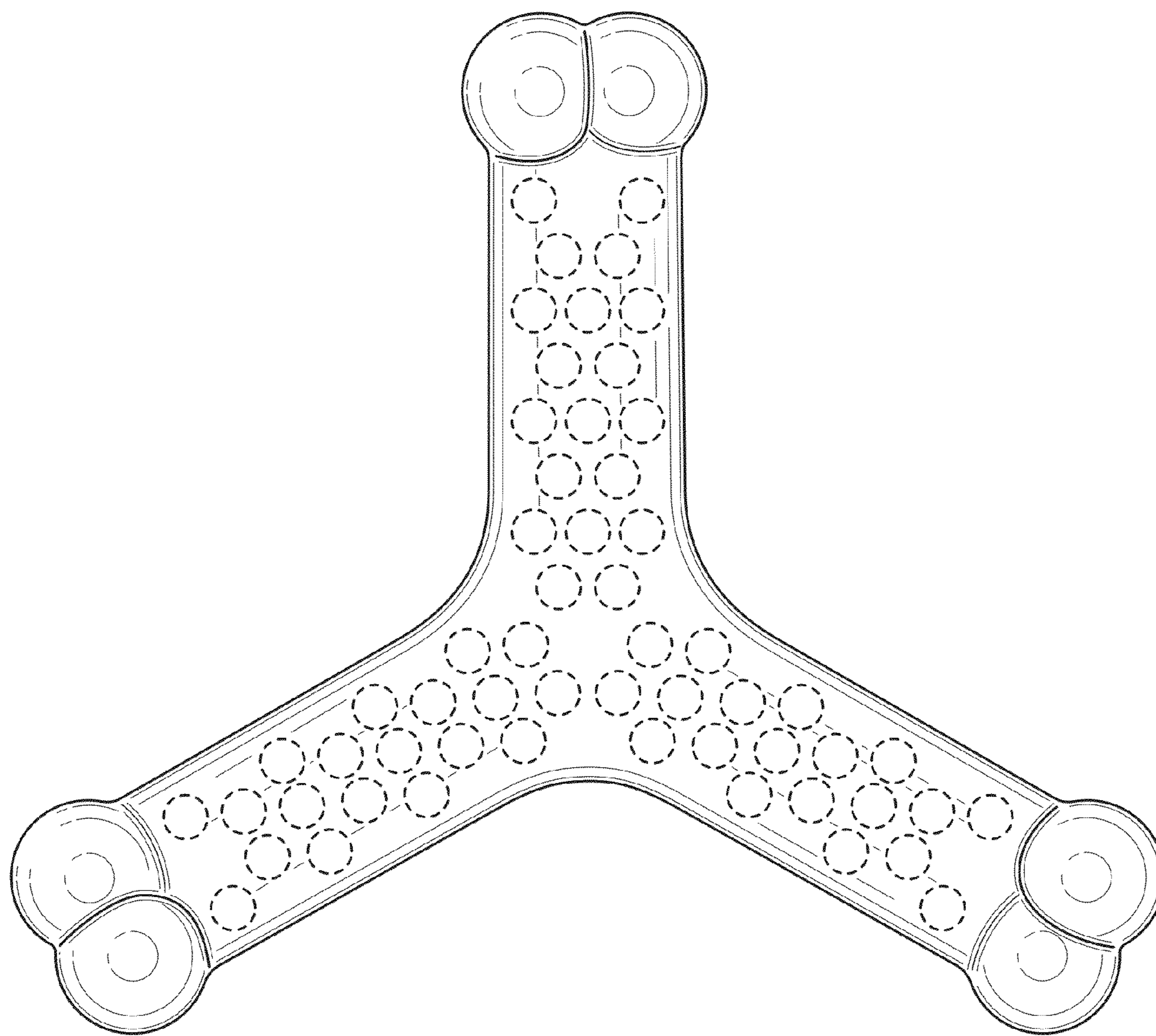


FIG. 3

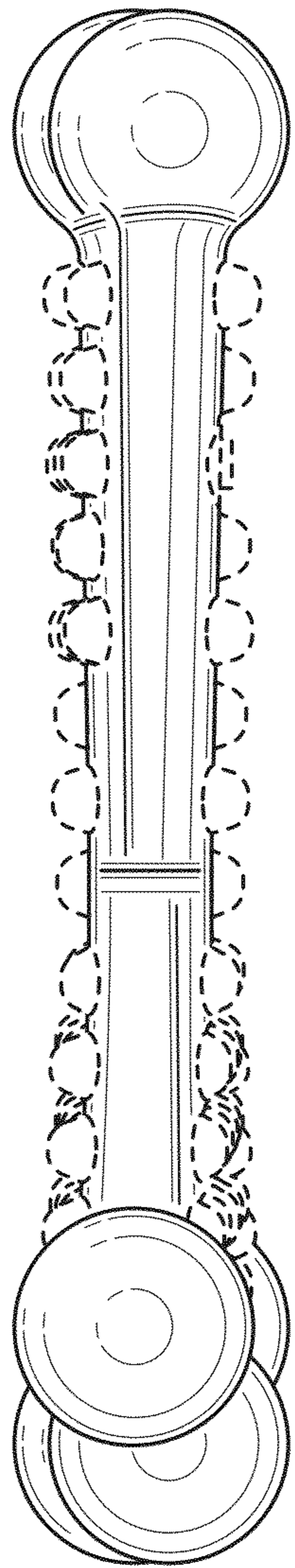


FIG. 4

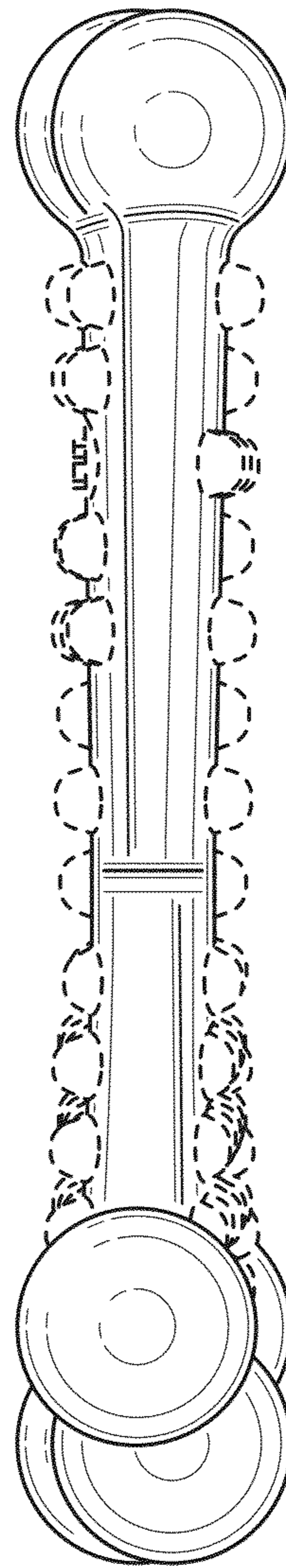


FIG. 5

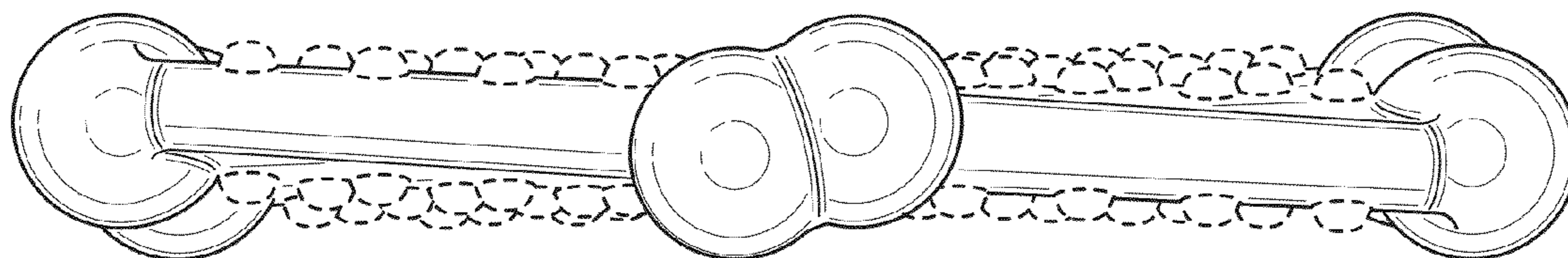


FIG. 6

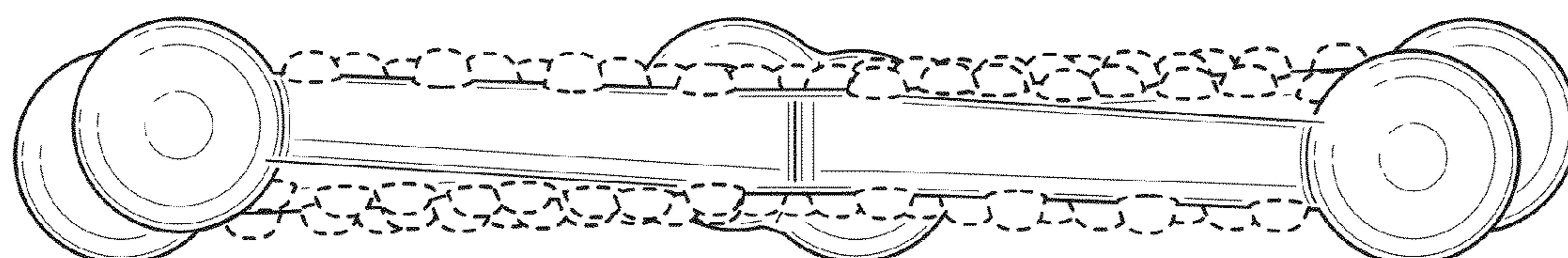


FIG. 7

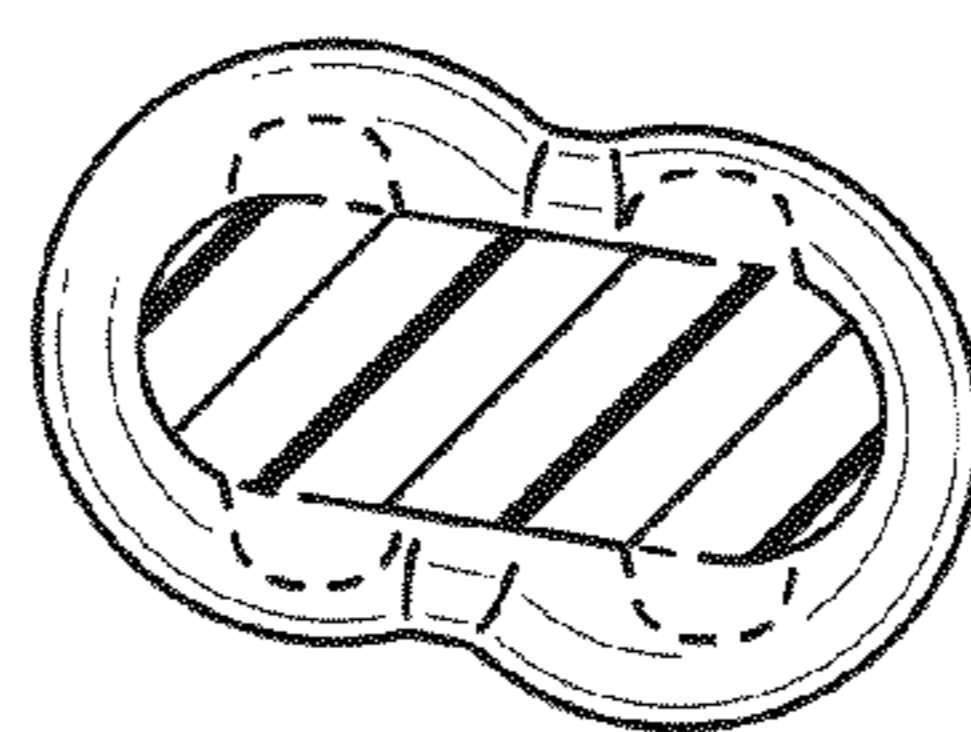


FIG. 8