



US00D708813S

(12) **United States Design Patent**
Apple et al.

(10) **Patent No.:** **US D708,813 S**
(45) **Date of Patent:** **** Jul. 8, 2014**

(54) **MENORAH**

(71) Applicant: **Target Brands, Inc.**, Minneapolis, MN (US)

(72) Inventors: **Elizabeth H. Apple**, Minneapolis, MN (US); **Anna Maria Bofinger**, Shoreview, MN (US)

(73) Assignee: **Target Brands, Inc.**, Minneapolis, MN (US)

(**) Term: **14 Years**

(21) Appl. No.: **29/465,238**

(22) Filed: **Aug. 26, 2013**

(51) **LOC (10) Cl.** **13-02**

(52) **U.S. Cl.**
USPC **D99/25**

(58) **Field of Classification Search**
CPC ... A47G 33/02; A47G 2033/00; A47G 33/00;
F21V 35/00; F21V 35/003; F21W 2121/002;
F21W 2121/00; C11C 5/00; C11C 5/008;
F21S 10/04
USPC D99/25; D11/117, 121, 122, 131, 132,
D11/133, 142, 157; D26/6, 7, 9, 10, 13, 96;
428/3, 7, 8, 9, 12; 431/288, 289, 295;
362/565, 566, 569, 806, 807, 810
See application file for complete search history.

(56) **References Cited**

U.S. PATENT DOCUMENTS

D55,185 S * 5/1920 Leavenworth D26/13
D72,937 S * 6/1927 Dam D26/96
1,721,273 A * 7/1929 Johnson 362/392
1,831,443 A * 11/1931 Goldman 362/249.16
D87,569 S * 8/1932 Goldman D26/96
1,881,423 A 10/1932 Favreau
D99,892 S * 6/1936 Pollock D26/96
2,101,971 A * 12/1937 Wolf 362/392

D110,631 S * 7/1938 Schachter D26/96
2,299,511 A * 10/1942 Steiner 426/104
2,334,492 A * 11/1943 Janowitz 362/217.14
D166,135 S 3/1952 Stark
D176,175 S * 11/1955 Clampa D26/13
2,917,853 A * 12/1959 Lawsky 40/541
D222,592 S * 11/1971 Lee D26/96
3,681,588 A * 8/1972 Lee 362/569
D234,967 S * 4/1975 Field D26/94
D236,903 S * 9/1975 Martindale D11/120
D238,590 S * 1/1976 Martindale D11/157

(Continued)

OTHER PUBLICATIONS

“DCI LED Motherboard Menorah”, printed from www.amazon.com/DCI-15335-LED-Motherboard-Menorah/dp/B0064QCBRE, available at least as early as Dec. 9, 2012 (3 pages).

(Continued)

Primary Examiner — Elizabeth J Oswecki

(74) *Attorney, Agent, or Firm* — Griffiths & Seaton PLLC; JoAnn M. Seaton

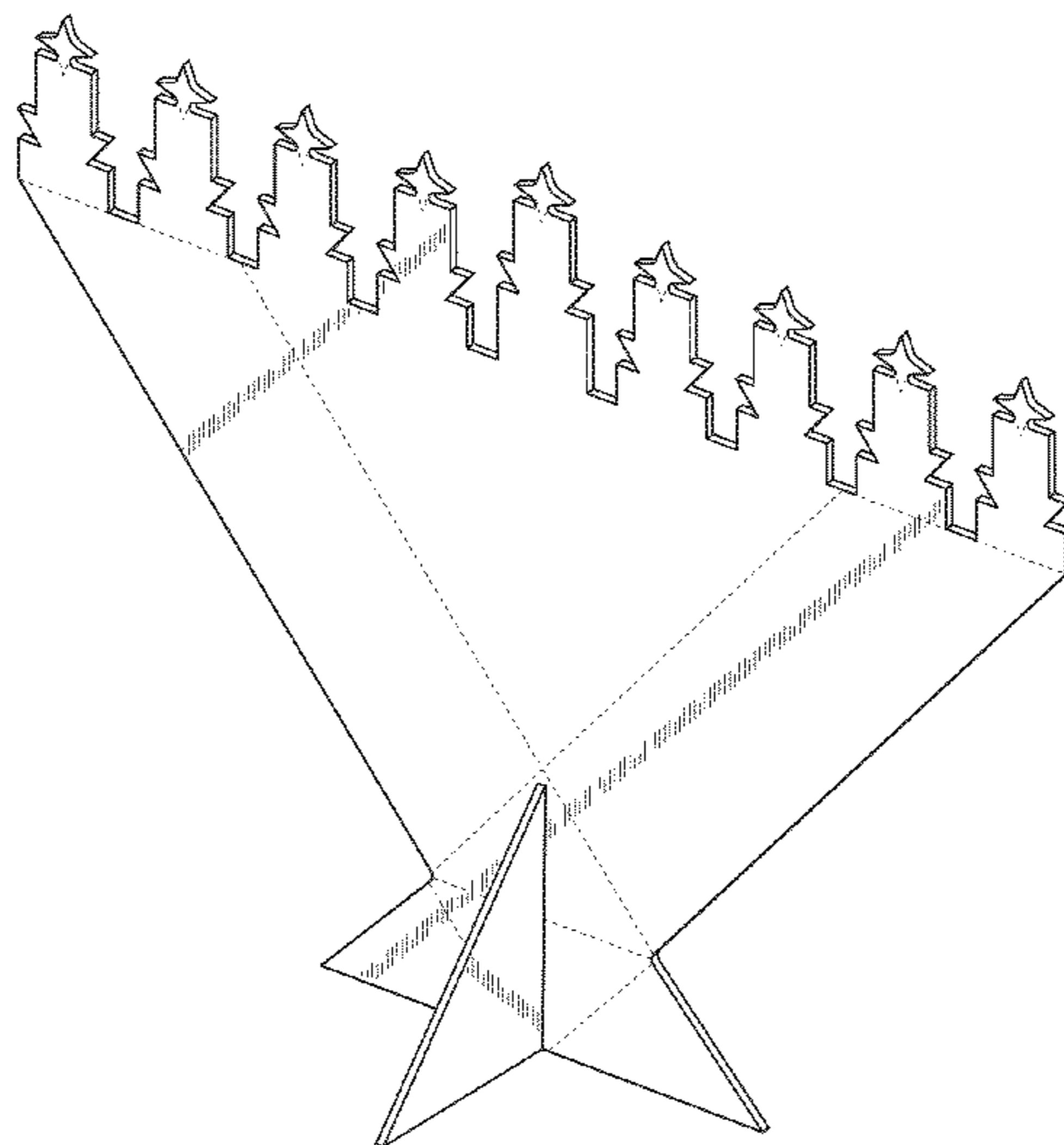
(57) **CLAIM**

The ornamental design for a menorah, as shown and described.

DESCRIPTION

FIG. 1 is a front, perspective view of a menorah showing our new design;
FIG. 2 is a front view thereof, the rear view being identical to the front view;
FIG. 3 is a right side view thereof, the left side view being identical to the right side view;
FIG. 4 is a top view thereof; and,
FIG. 5 is a bottom view thereof.
The broken lines on the Menorah form no part of the claimed design. The shaded surface areas of the Menorah are part of the claimed design.

1 Claim, 5 Drawing Sheets



(56)

References Cited

U.S. PATENT DOCUMENTS

D354,928 S	1/1995	Hoffman et al.	
D379,941 S	6/1997	Scott	
D432,450 S	10/2000	Liu	
D435,479 S	12/2000	Gansbuehler	
D462,031 S	8/2002	Ng	
D520,404 S *	5/2006	Morley	D11/121
D525,009 S *	7/2006	McKenney	D99/17
D528,941 S *	9/2006	Cavness	D11/157
D587,824 S *	3/2009	Ballarini	D26/13
D591,639 S	5/2009	Kuehmichel et al.	
D595,611 S	7/2009	Kuehmichel et al.	
D658,092 S	4/2012	Favretto et al.	

OTHER PUBLICATIONS

“DIY Glitter Tree Tutorial”, printed from <http://courtneykhailstationery.com/diy-glitter-tree-tutorial/>, posted Dec. 17, 2012 (12 pages).

“Superstar Holiday Tree—Natural”, printed from <http://modernica.net/superstar-holiday-tree.html>, available as early as Jan. 16, 2013 per <http://web.archive.org> (2 pages).

“Flame-Free Menorah”, printed from <http://spoonful.com/crafts/flame-free-menorah>, available as early as Jul. 1, 2013 (7 pages).

Office Action from Canadian Patent Application No. 153,323, mailed Apr. 4, 2014 (2 pages).

“How to: Make a DIY Modern Wooden Christmas Tree Set”, printed from www.curbly.com/users/capreek/posts/14423-how-to-make-a-diy-modern-wooden-christmas-tree-set, posted Dec. 3, 2012 (12 pages).

“Salt Crystal Christmas Trees”, printed from <http://effsalt.blogspot.com/2011/12/salt-crystal-christmas-trees.html>, posted Dec. 24, 2011 (6 pages).

“Kate’s Christmas Tree”, printed from www.gamepuzzles.com/kjbtree.htm, available at least as early as Dec. 2011 (3 pages).

“Superstar Holiday Tree—Natural”, printed from <http://modernica.net/superstar-holiday-tree.html>, available as early as Jan. 16, 2013 per <http://web.archive.org> (2 pages).

“3D Christmas Tree Gingerbread Cookies”, printed from www.notmartha.org/archives/2011/12/21/3d-christmas-tree-gingerbread-cookies/, posted Dec. 21, 2011 (23 pages).

“Flame-Free Menorah”, printed from <http://spoonful.com/crafts/flame-free-menorah>, available as early as Jul. 1, 2013 (7 pages).

* cited by examiner

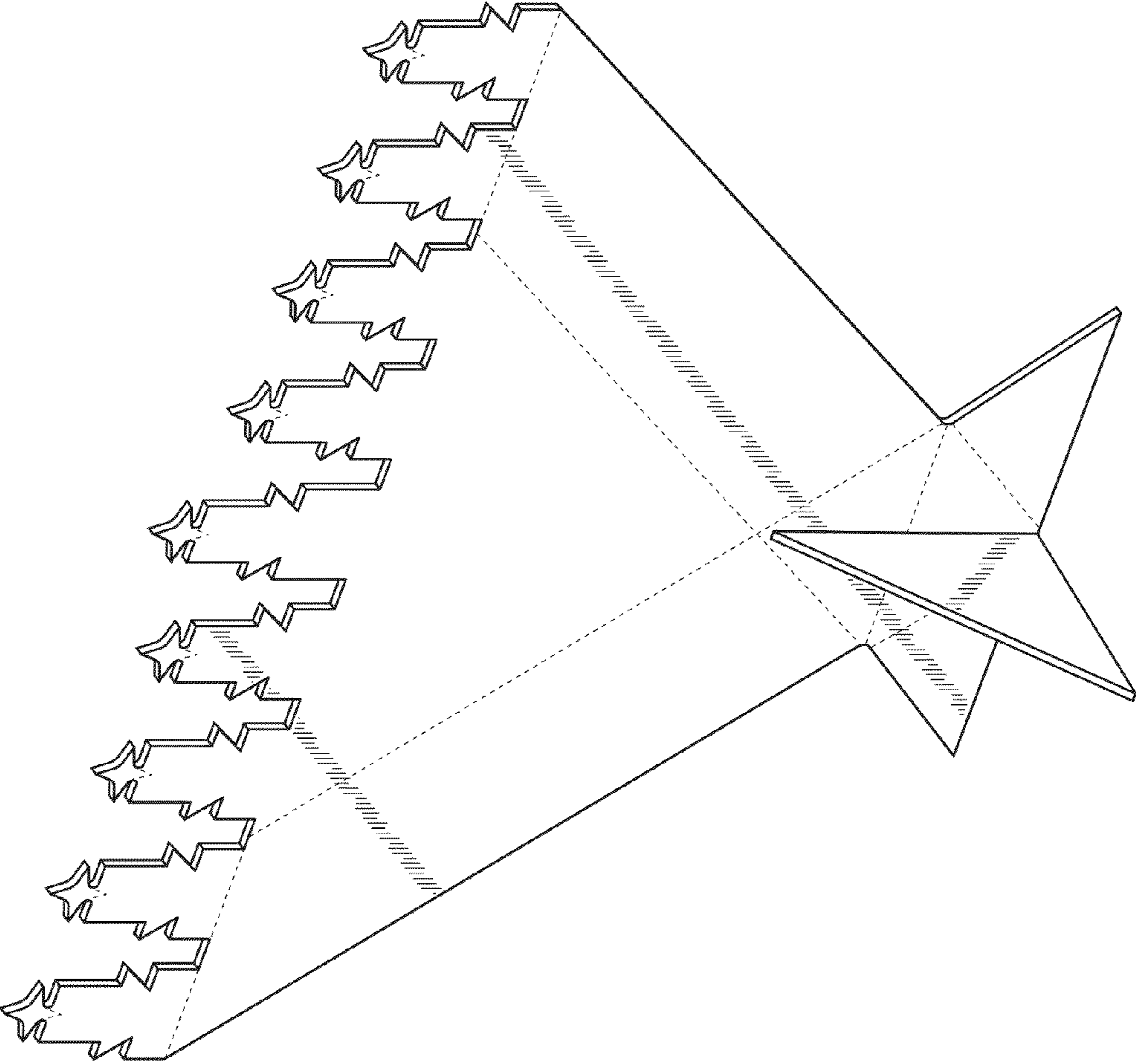


FIG. 1

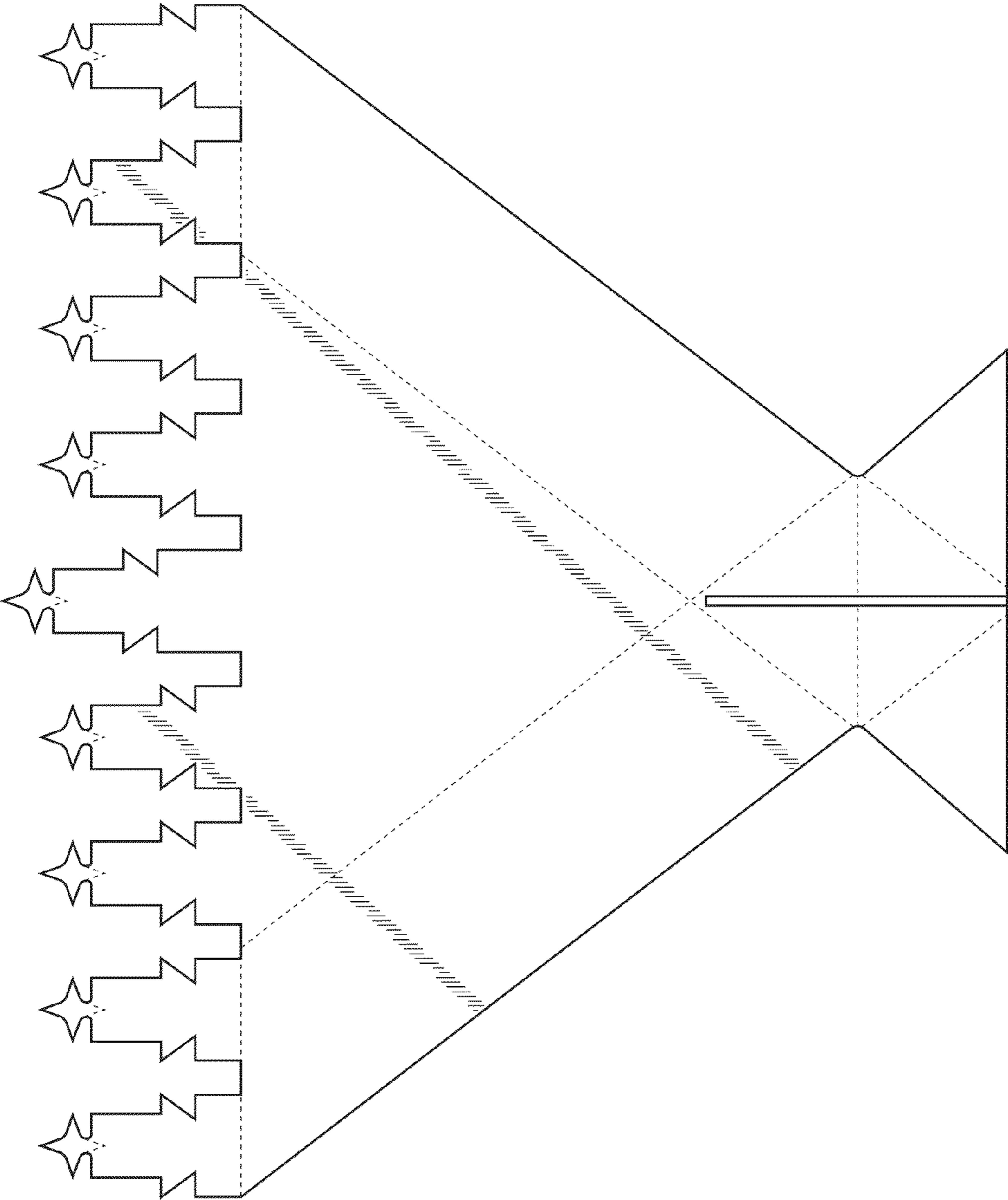


FIG. 2

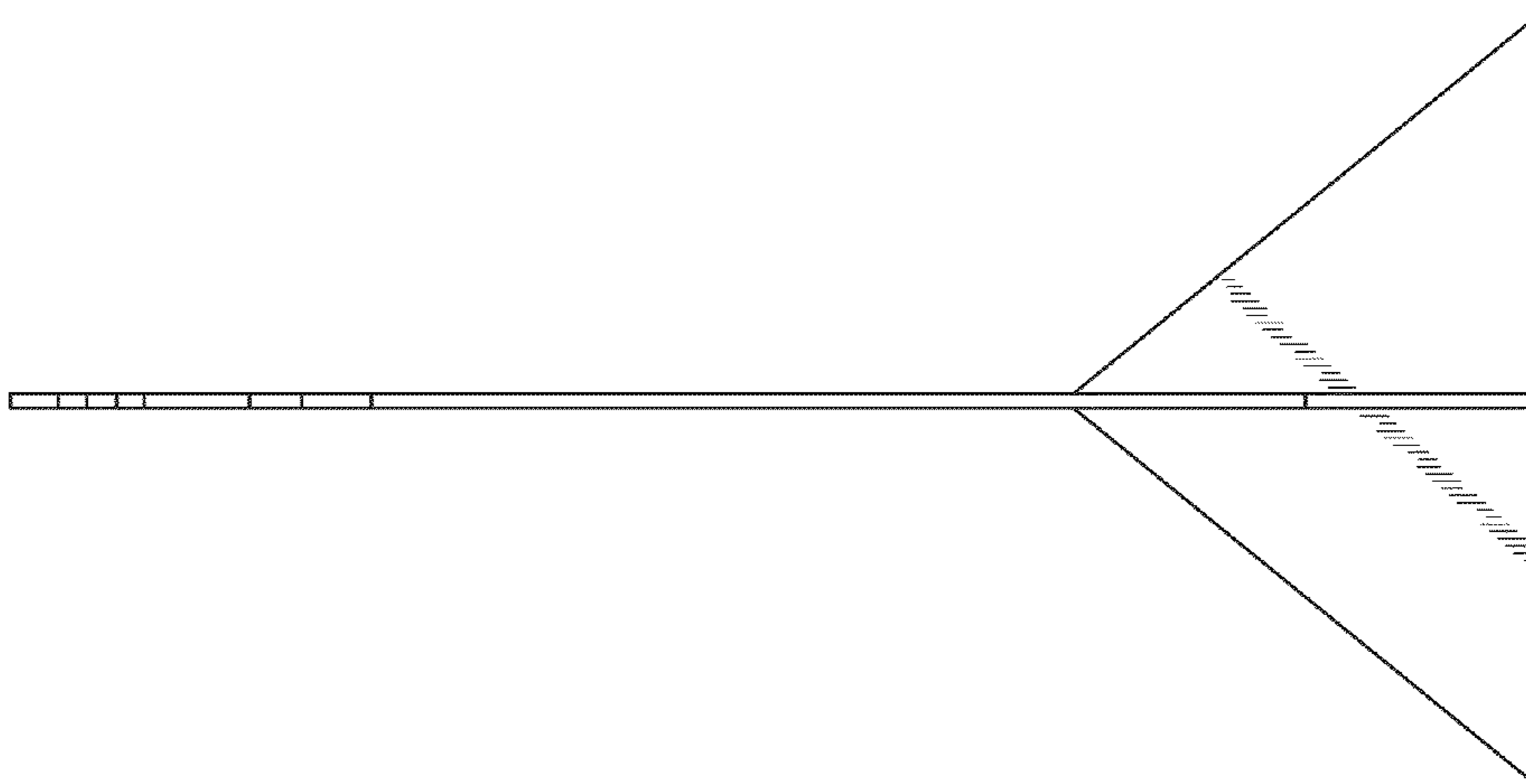


FIG. 3

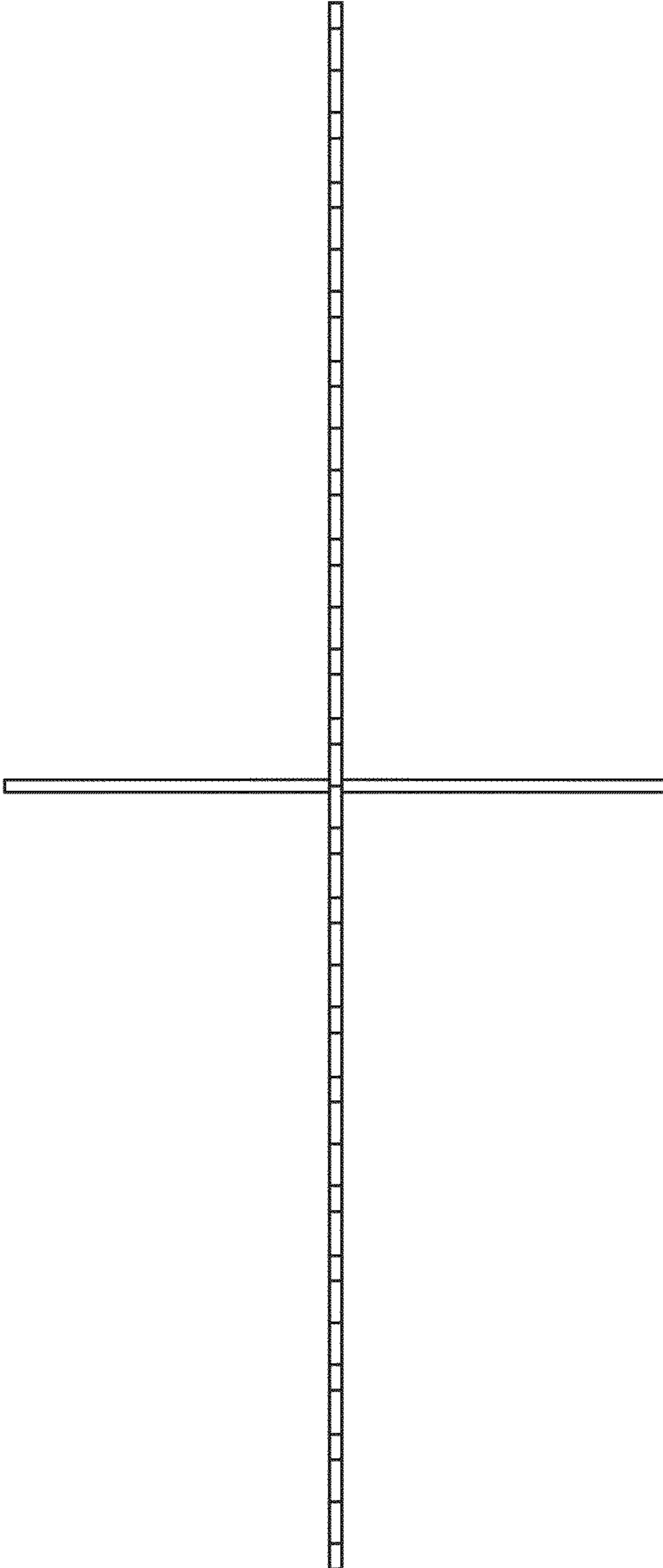


FIG. 4

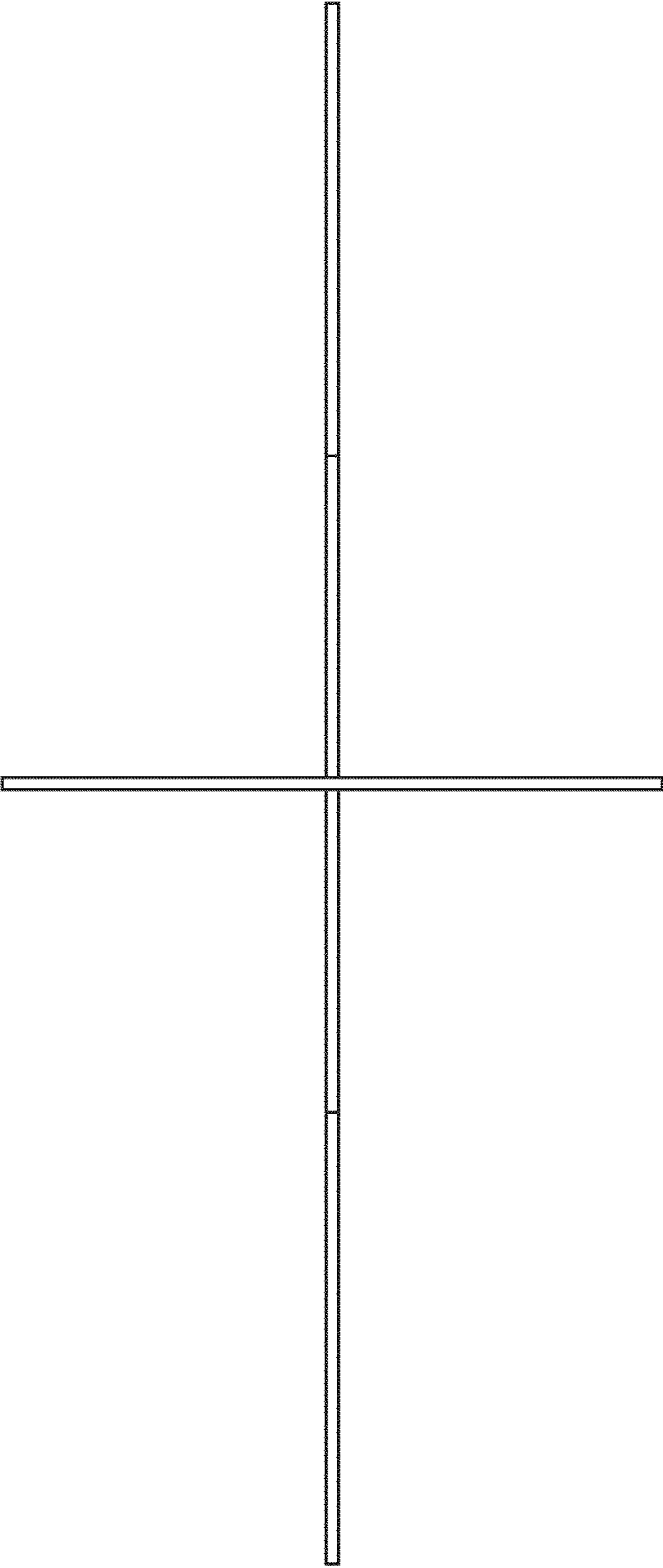


FIG. 5