



US00D708812S

(12) **United States Design Patent**
Freeman

(10) **Patent No.:** **US D708,812 S**

(45) **Date of Patent:** **** Jul. 8, 2014**

- (54) **URN**
- (71) Applicant: **Jack E. Freeman**, Topeka, KS (US)
- (72) Inventor: **Jack E. Freeman**, Topeka, KS (US)
- (**) Term: **14 Years**
- (21) Appl. No.: **29/478,047**
- (22) Filed: **Dec. 30, 2013**
- (51) **LOC (10) Cl.** **99-00**
- (52) **U.S. Cl.**
CPC **A61G 17/08** (2013.01)
USPC **D99/5**
- (58) **Field of Classification Search**
CPC **A61G 17/08**
USPC **D99/5; 27/1; D6/300; D3/200, 225,**
D3/272, 294, 903; D9/432; D11/132;
312/290, 311, 201, 219
See application file for complete search history.

- D530,916 S * 10/2006 Sakaguchi D3/294
- D668,833 S * 10/2012 De Togni D99/5
- 8,418,329 B2 * 4/2013 Davis et al. 27/1

* cited by examiner

Primary Examiner — Paula Greene

(74) *Attorney, Agent, or Firm* — QuickPatents; Kevin Prince

(57) **CLAIM**

I claim the ornamental design for an urn, as shown and described.

DESCRIPTION

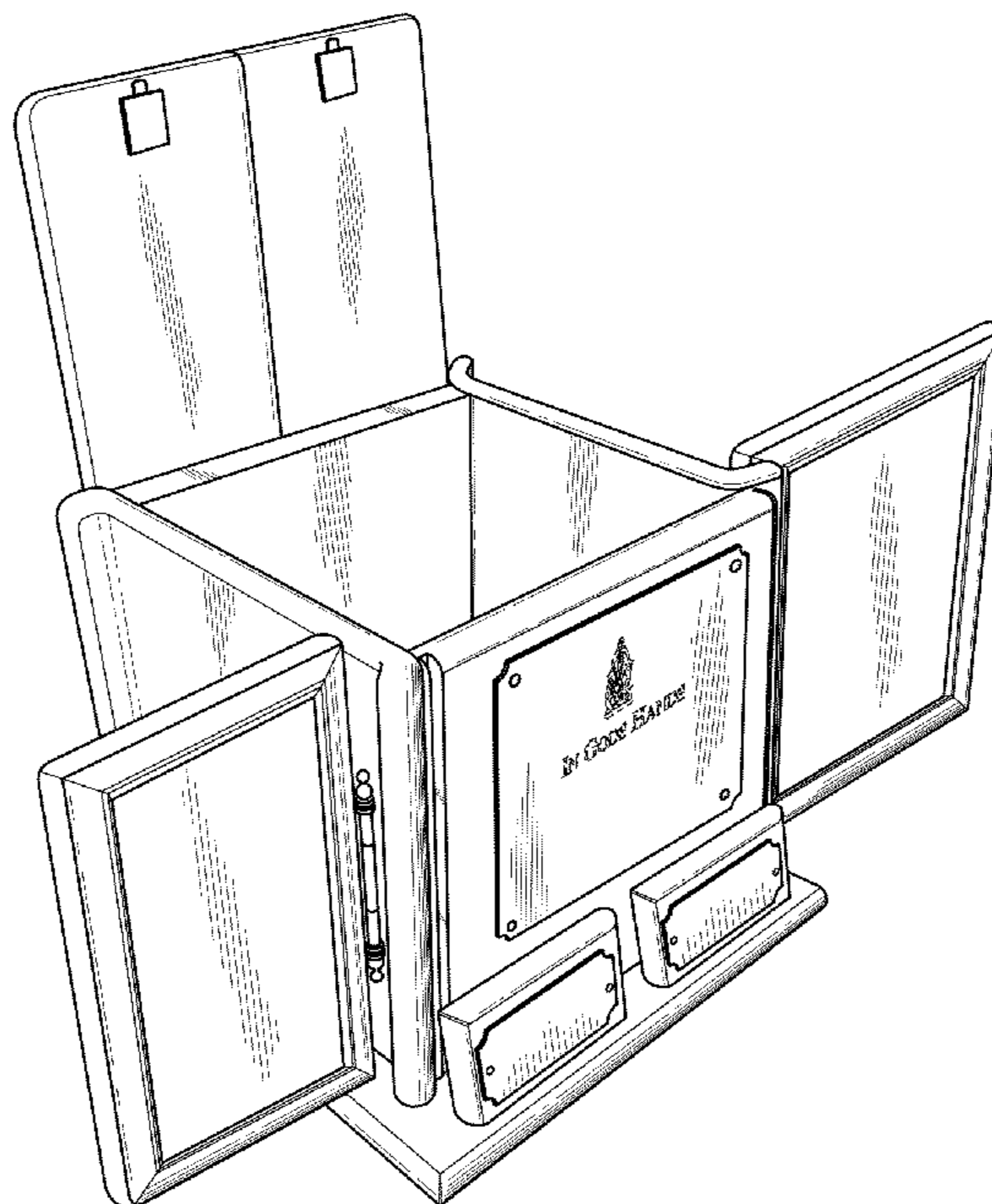
FIG. 1 is a perspective view of an urn, showing my new design in a retracted configuration;
 FIG. 2 is a front elevational view of FIG. 1;
 FIG. 3 is a rear elevational view of FIG. 1;
 FIG. 4 is a right-side elevational view of FIG. 1;
 FIG. 5 is a left-side elevational view of FIG. 1;
 FIG. 6 is a top plan view of FIG. 1;
 FIG. 7 is a bottom plan view of FIG. 1;
 FIG. 8 is a perspective view thereof, illustrated in an open configuration;
 FIG. 9 is a front elevational view of FIG. 8;
 FIG. 10 is a rear elevational view of FIG. 8;
 FIG. 11 is a right-side elevational view of FIG. 8;
 FIG. 12 is a left-side elevational view of FIG. 8;
 FIG. 13 is a top plan view of FIG. 8; and,
 FIG. 14 is a bottom plan view of FIG. 8.
 The broken lines showing a text and an image in FIG. 1 depict environmental matter and form no part of the claimed design.

(56) **References Cited**

U.S. PATENT DOCUMENTS

- 1,373,014 A * 3/1921 Moore 220/315
- 2,401,526 A * 6/1946 Ullman 312/22
- D228,820 S * 10/1973 Day D3/284
- 4,058,356 A * 11/1977 Michal 312/305
- 4,303,158 A * 12/1981 Perkins 206/373
- D290,785 S * 7/1987 Kelly D3/284
- 5,230,127 A * 7/1993 Zukowski et al. 27/1
- 5,349,727 A * 9/1994 Niebergall 27/1
- D361,203 S * 8/1995 Regnier D3/273
- 5,603,558 A * 2/1997 Zimmer 312/290
- D460,259 S * 7/2002 Oelfke D3/284
- 6,735,831 B1 * 5/2004 Greiwe et al. 27/1

1 Claim, 5 Drawing Sheets



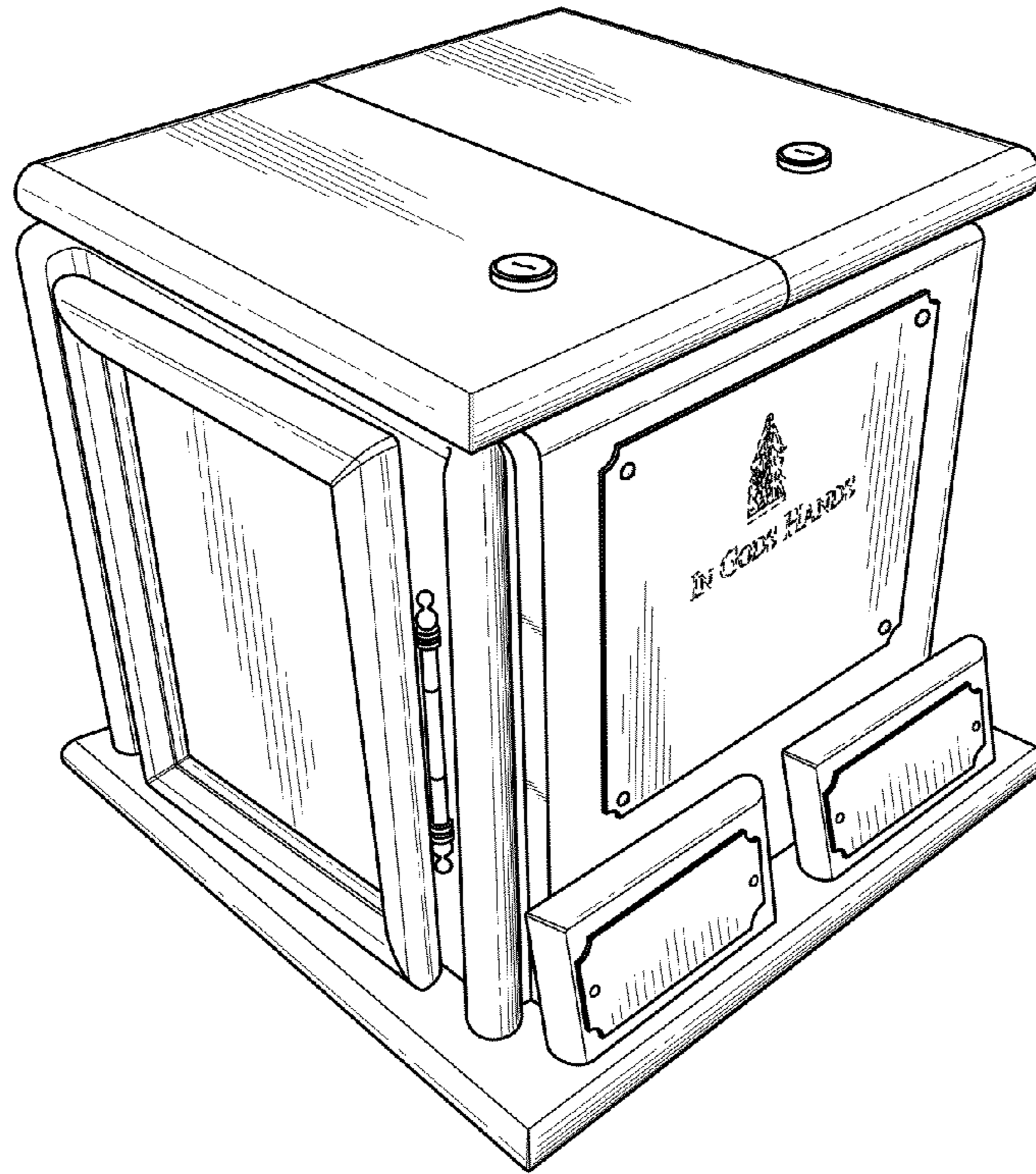


FIG. 1

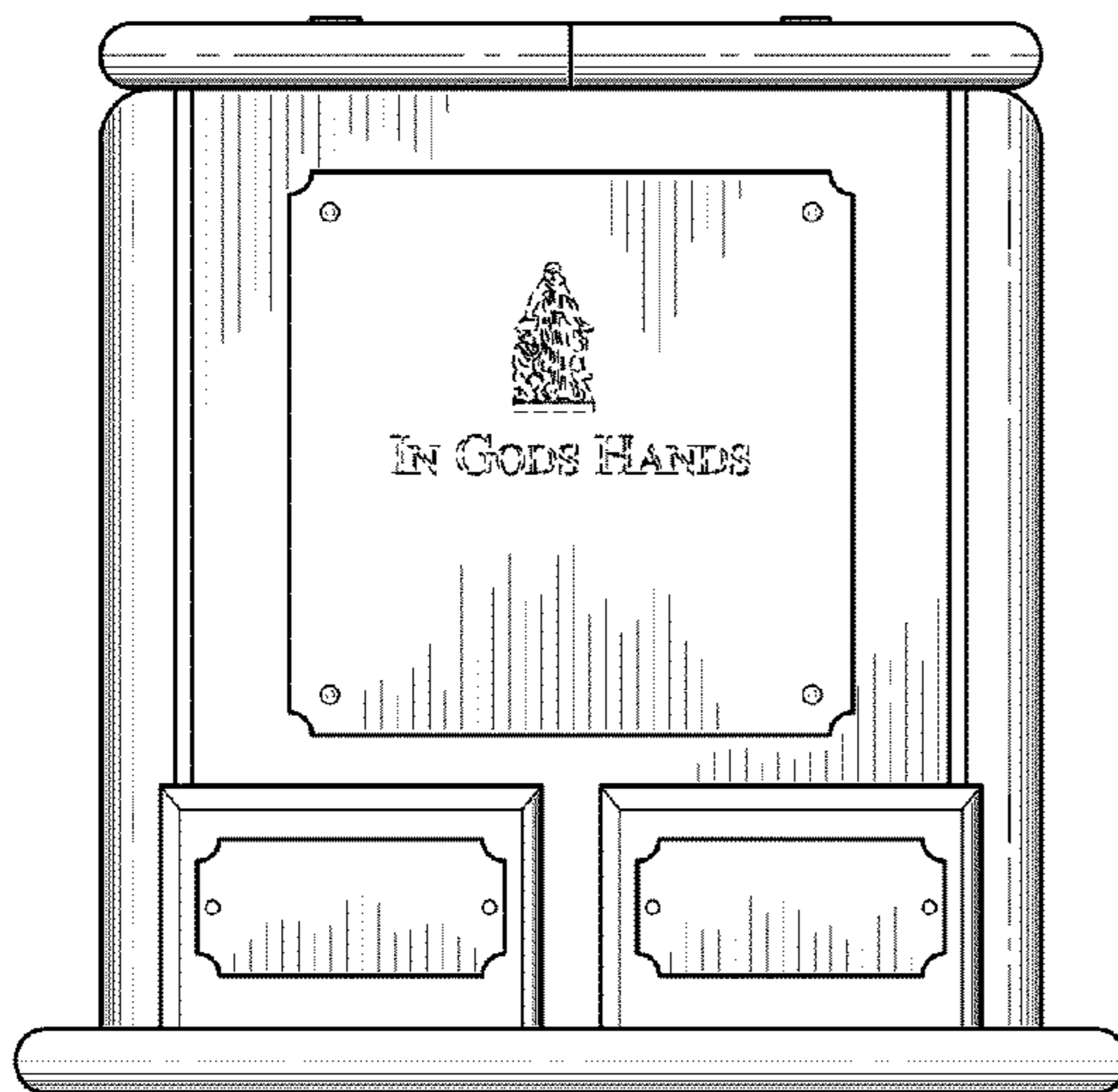


FIG. 2

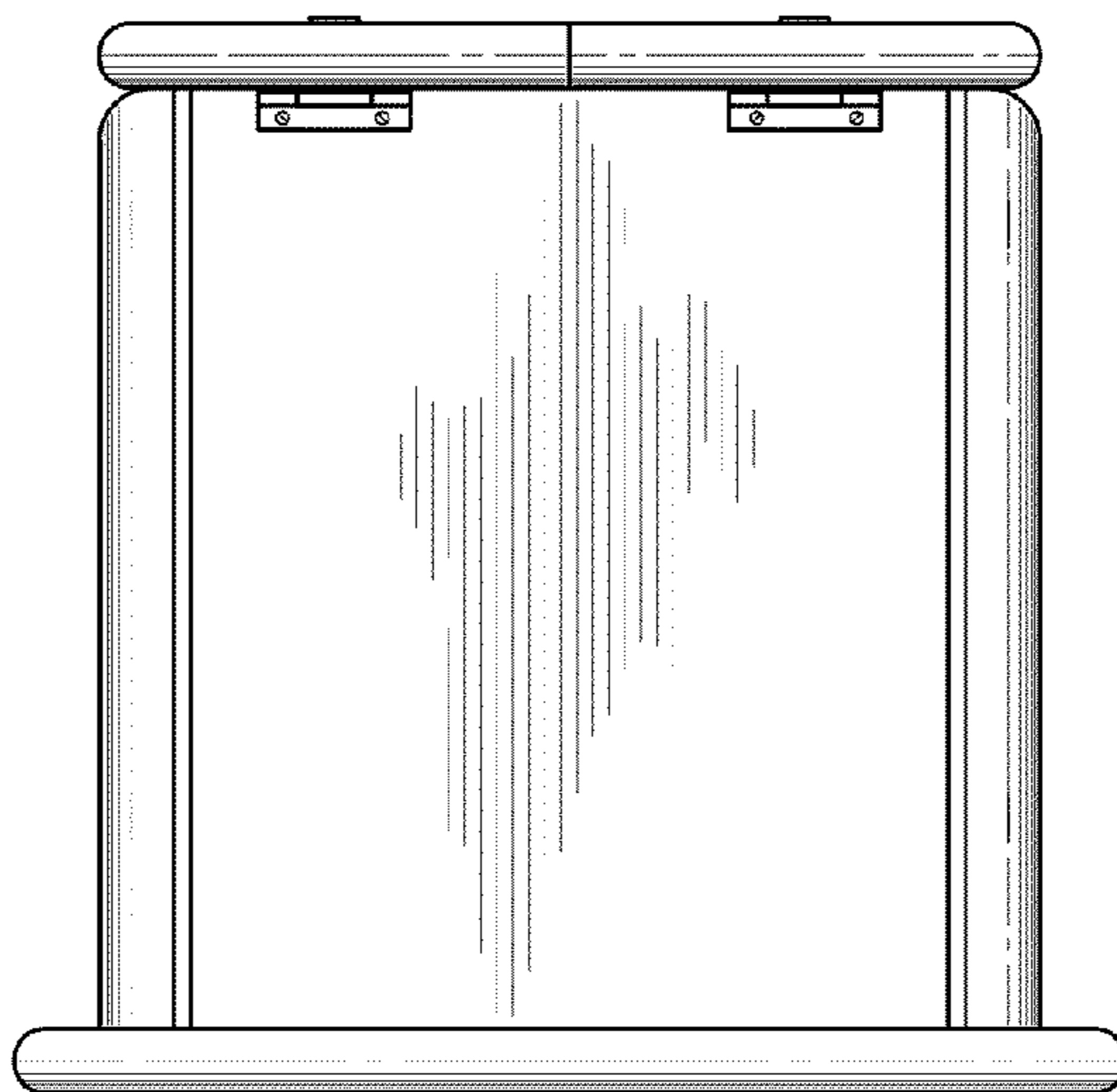


FIG. 3

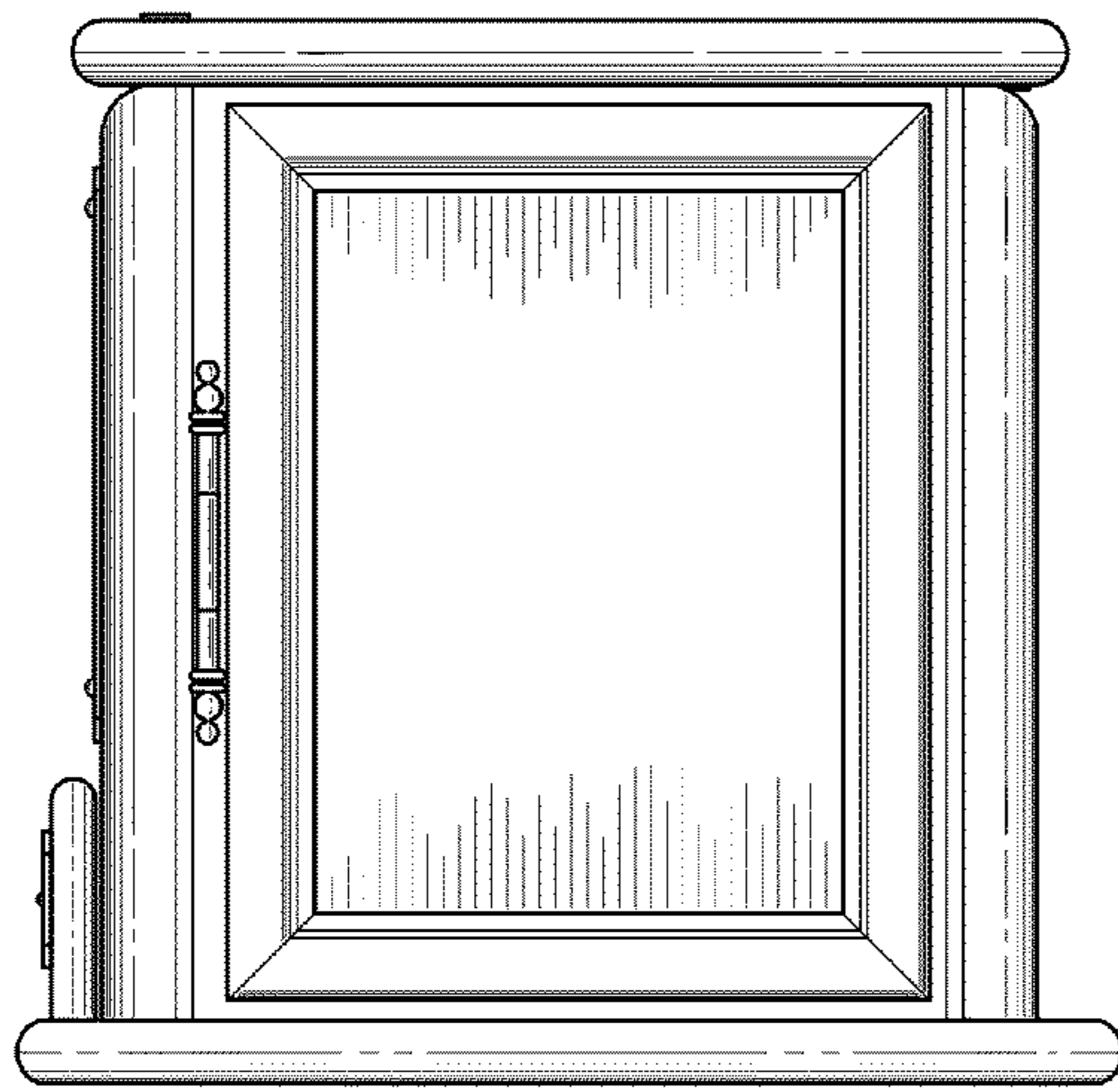


FIG. 4

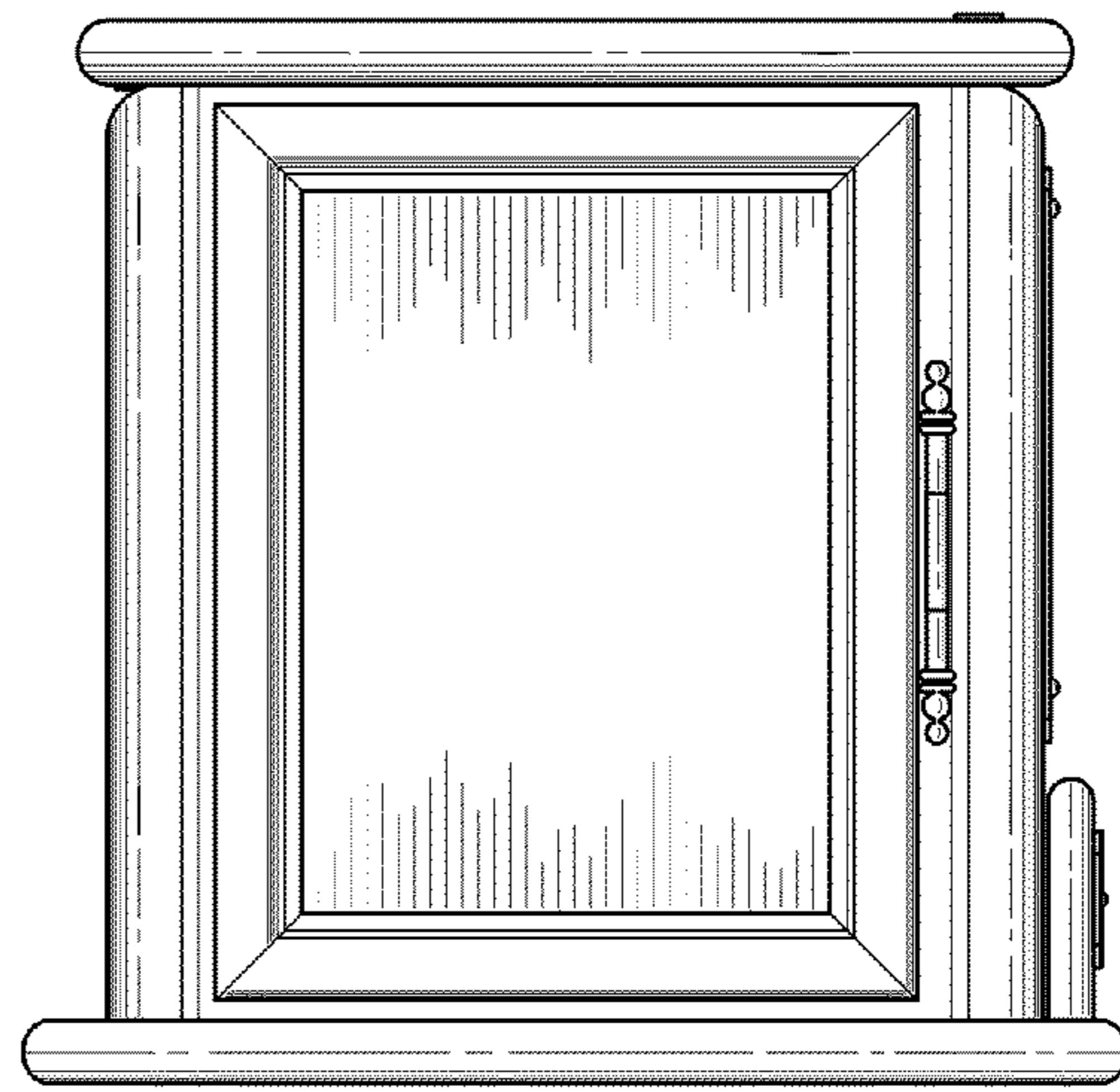


FIG. 5

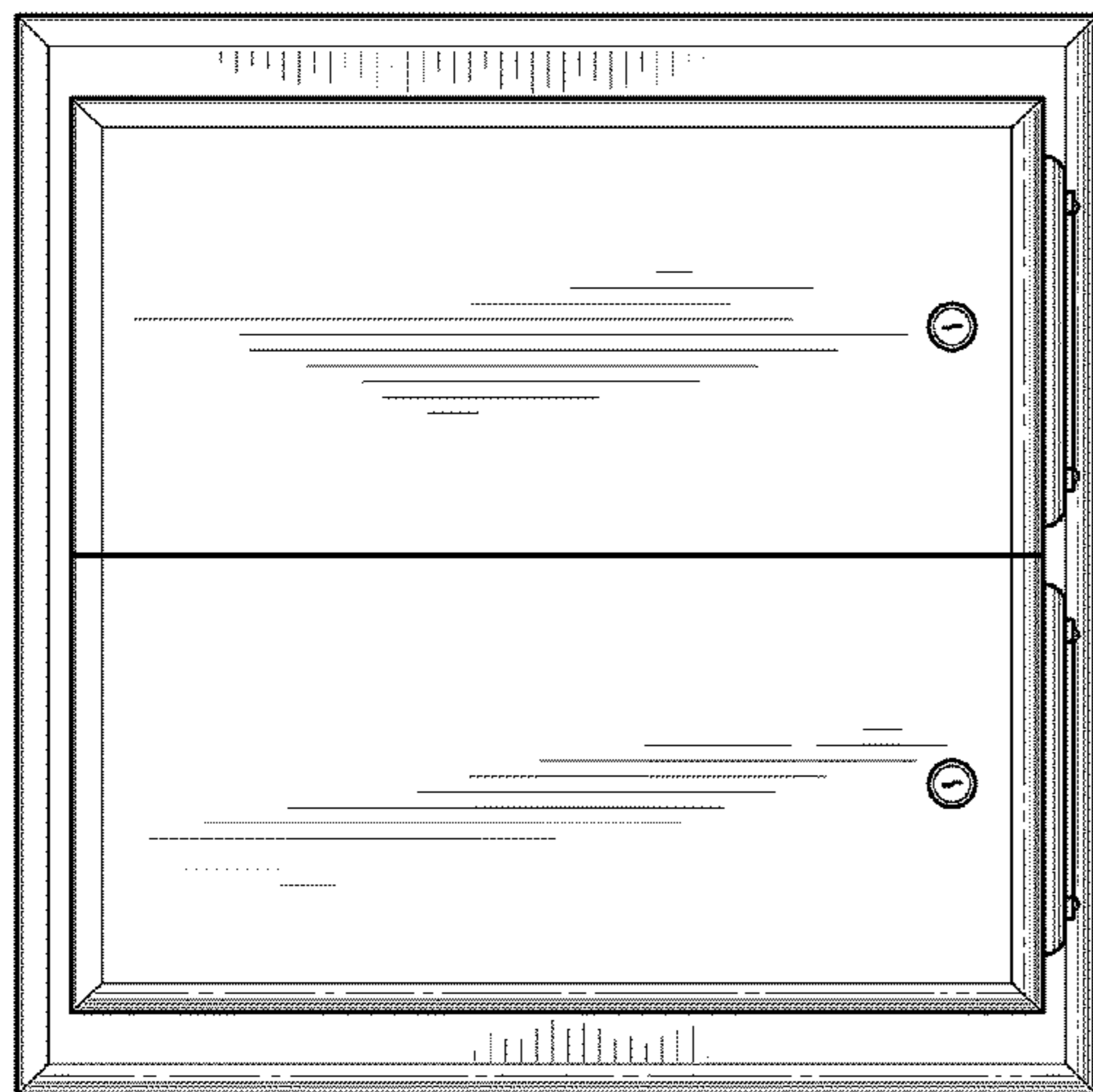


FIG. 6

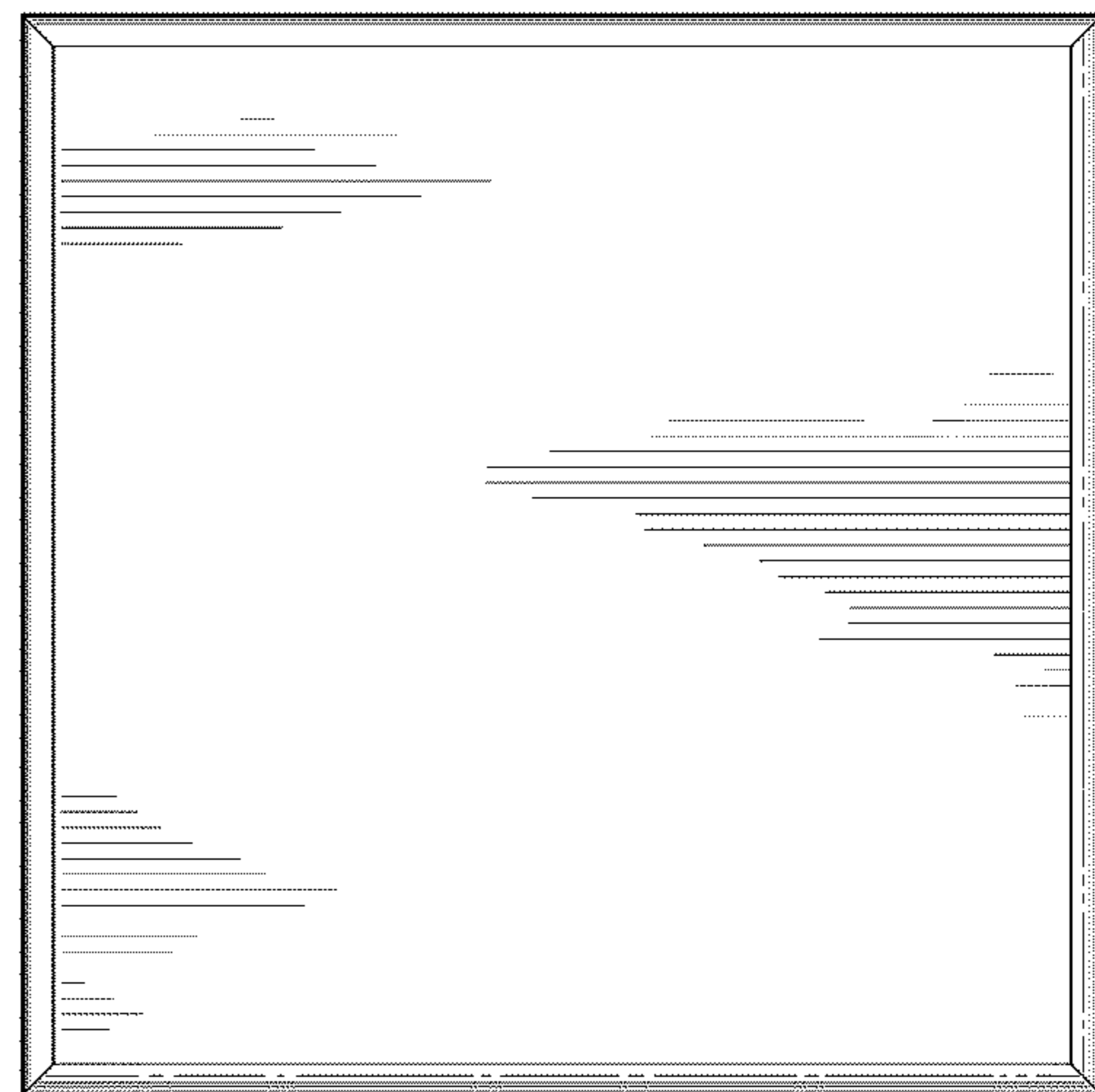


FIG. 7

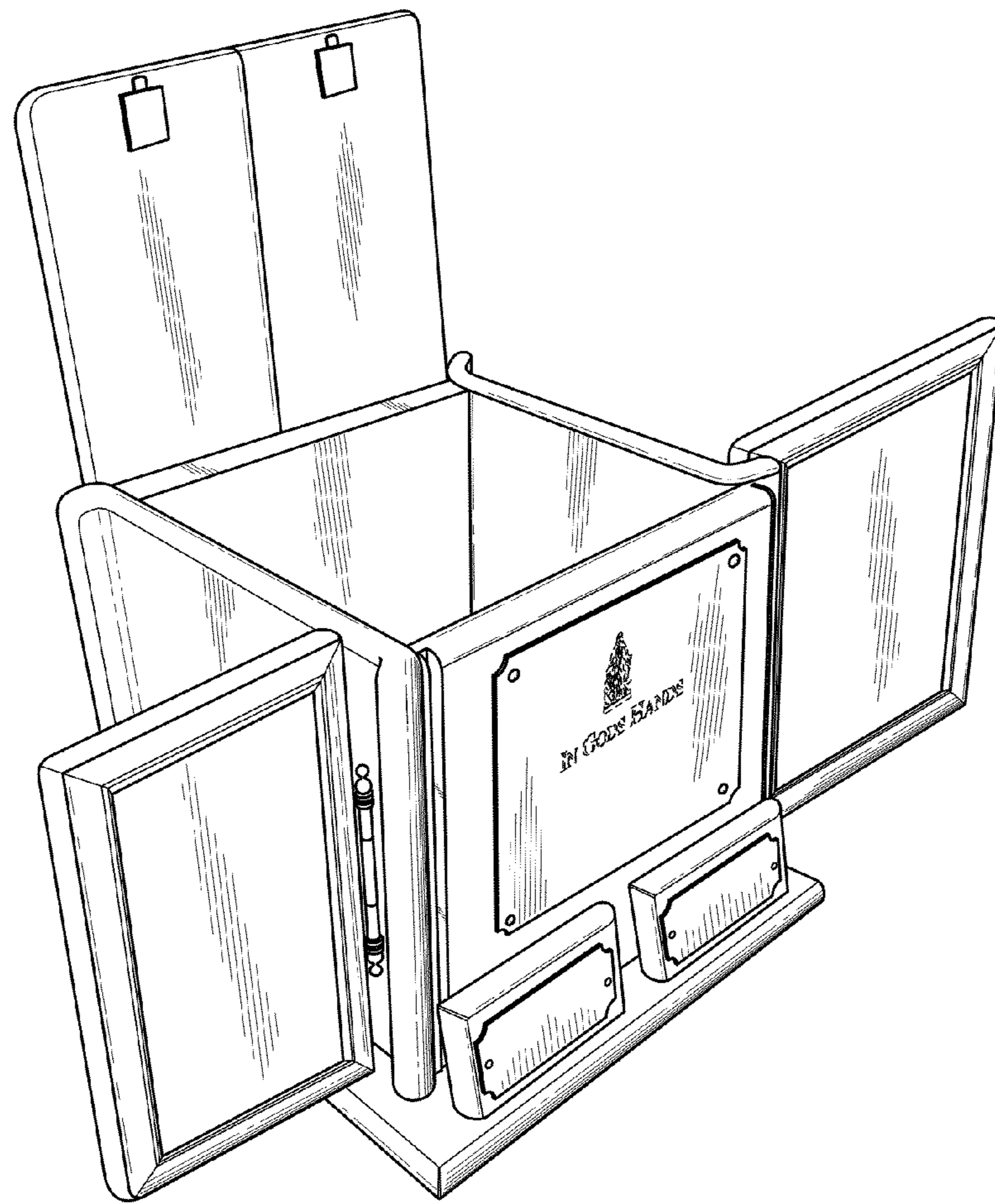


FIG. 8

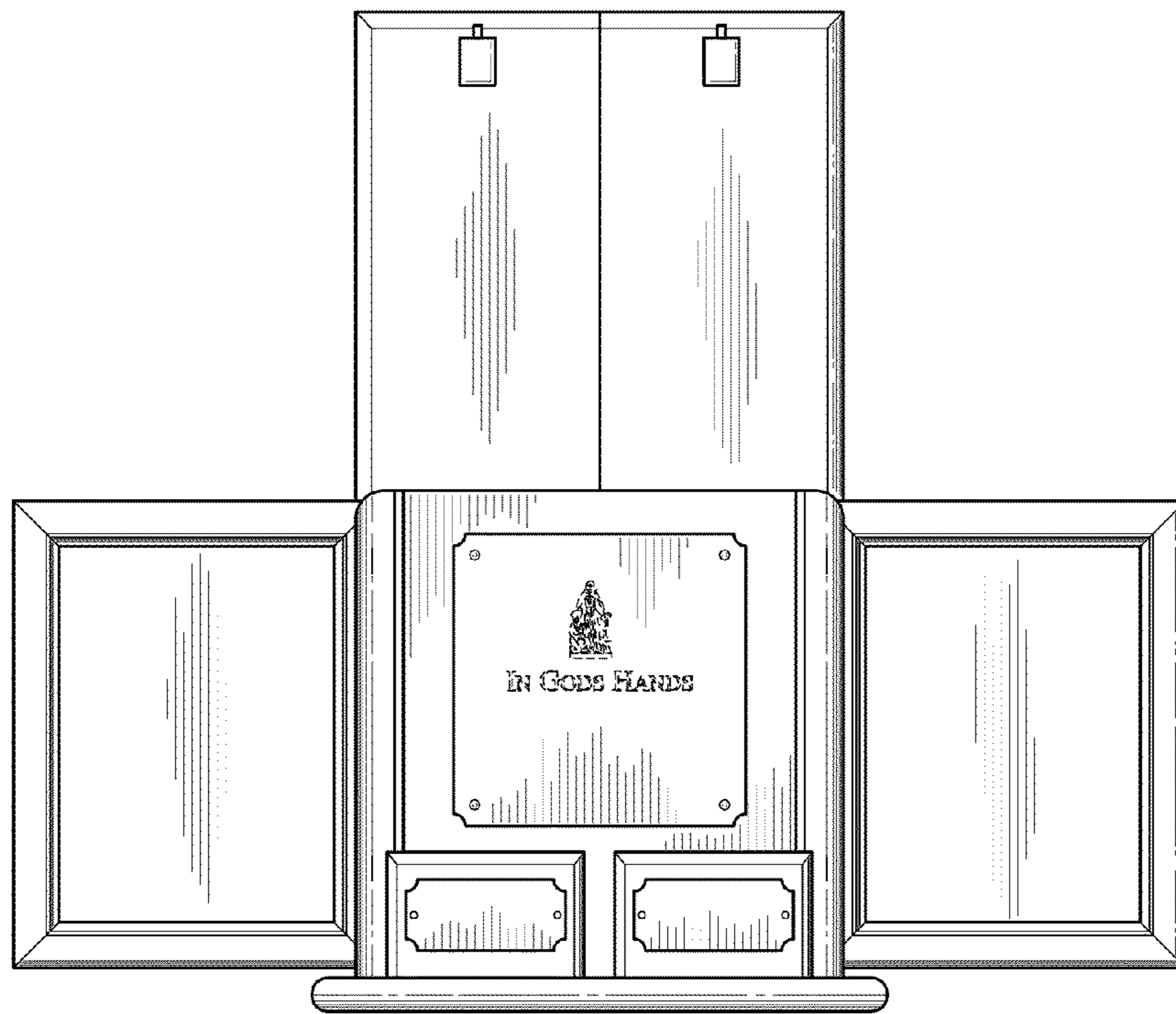


FIG. 9

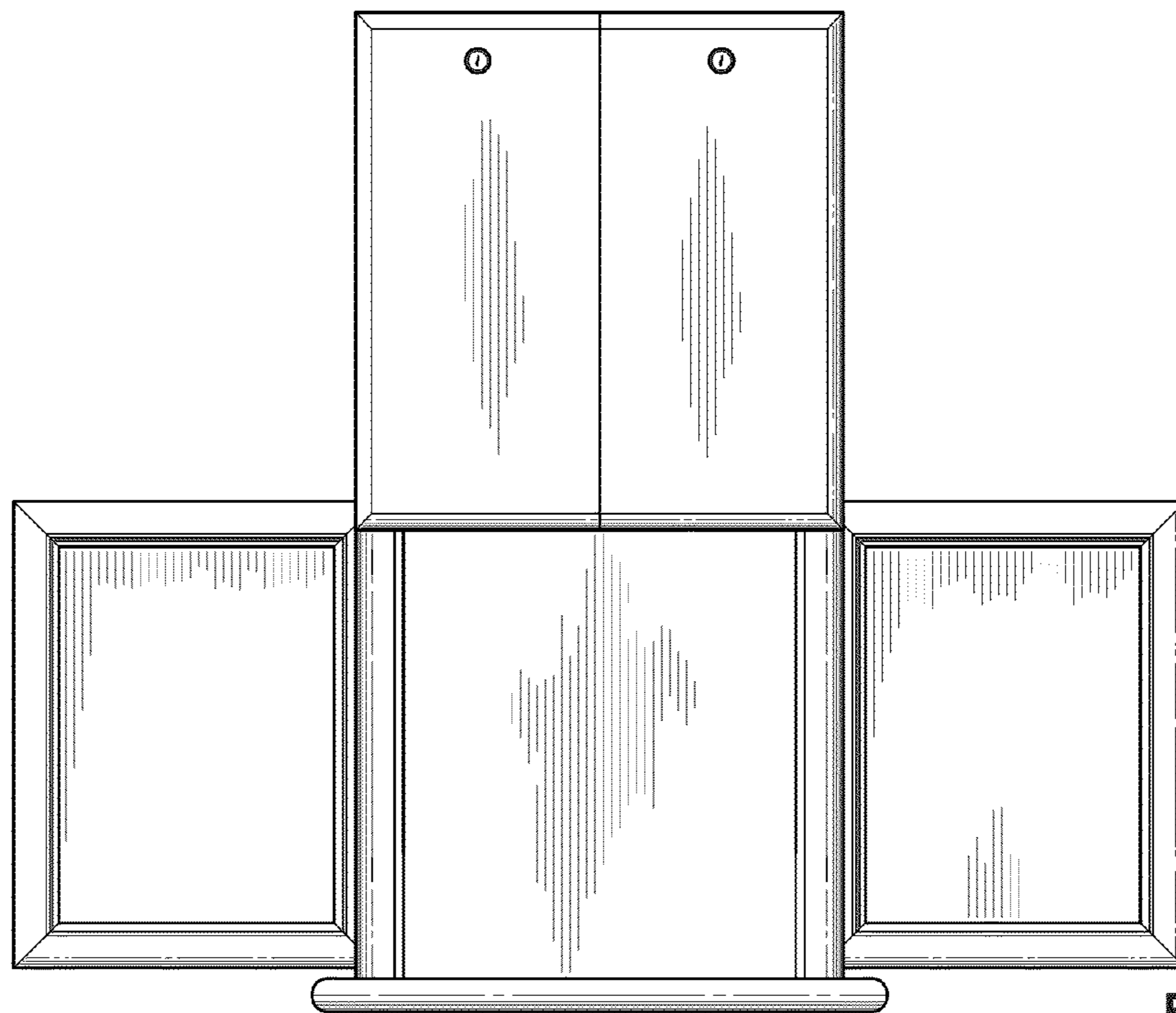


FIG. 10

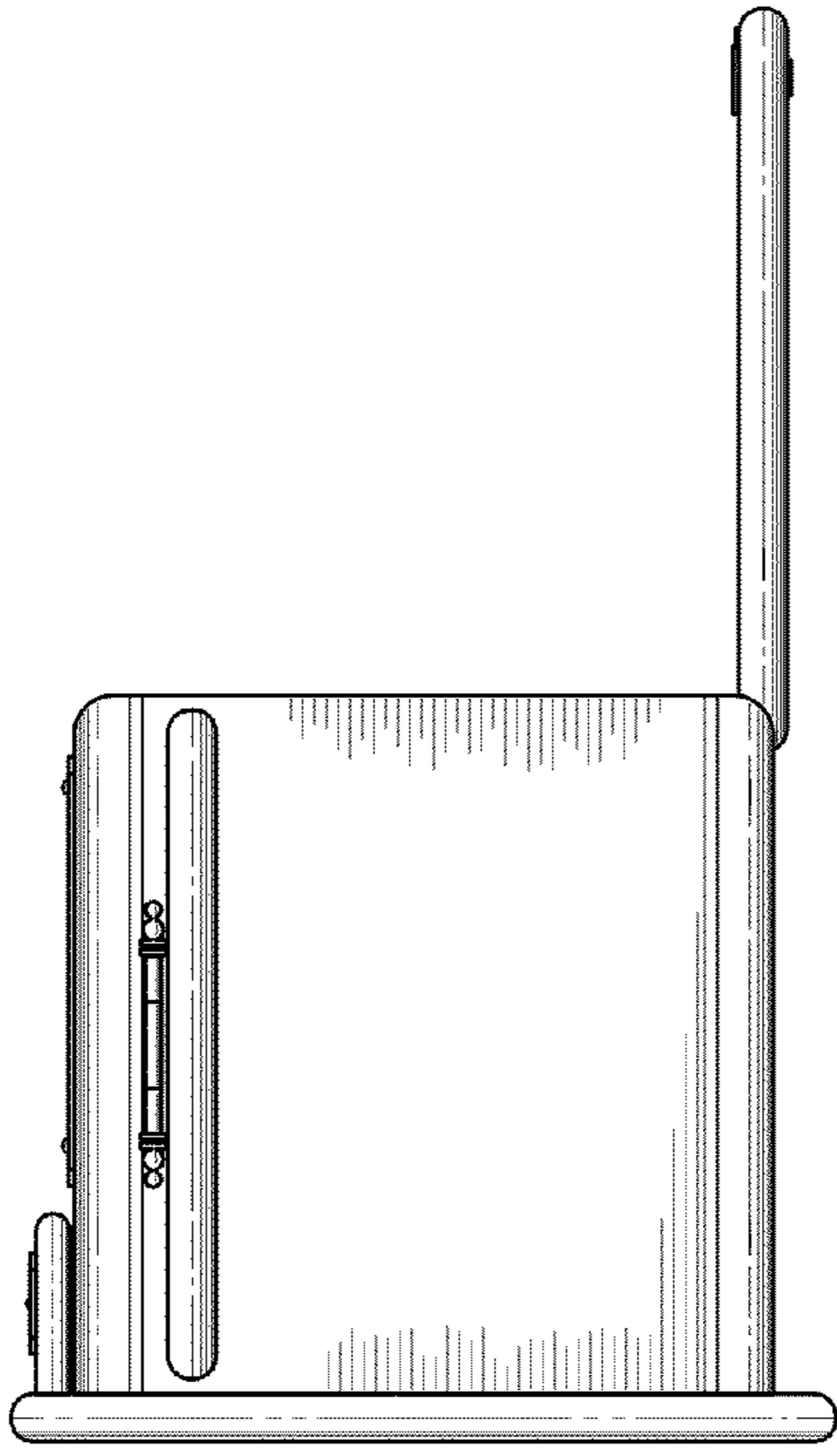


FIG. 11

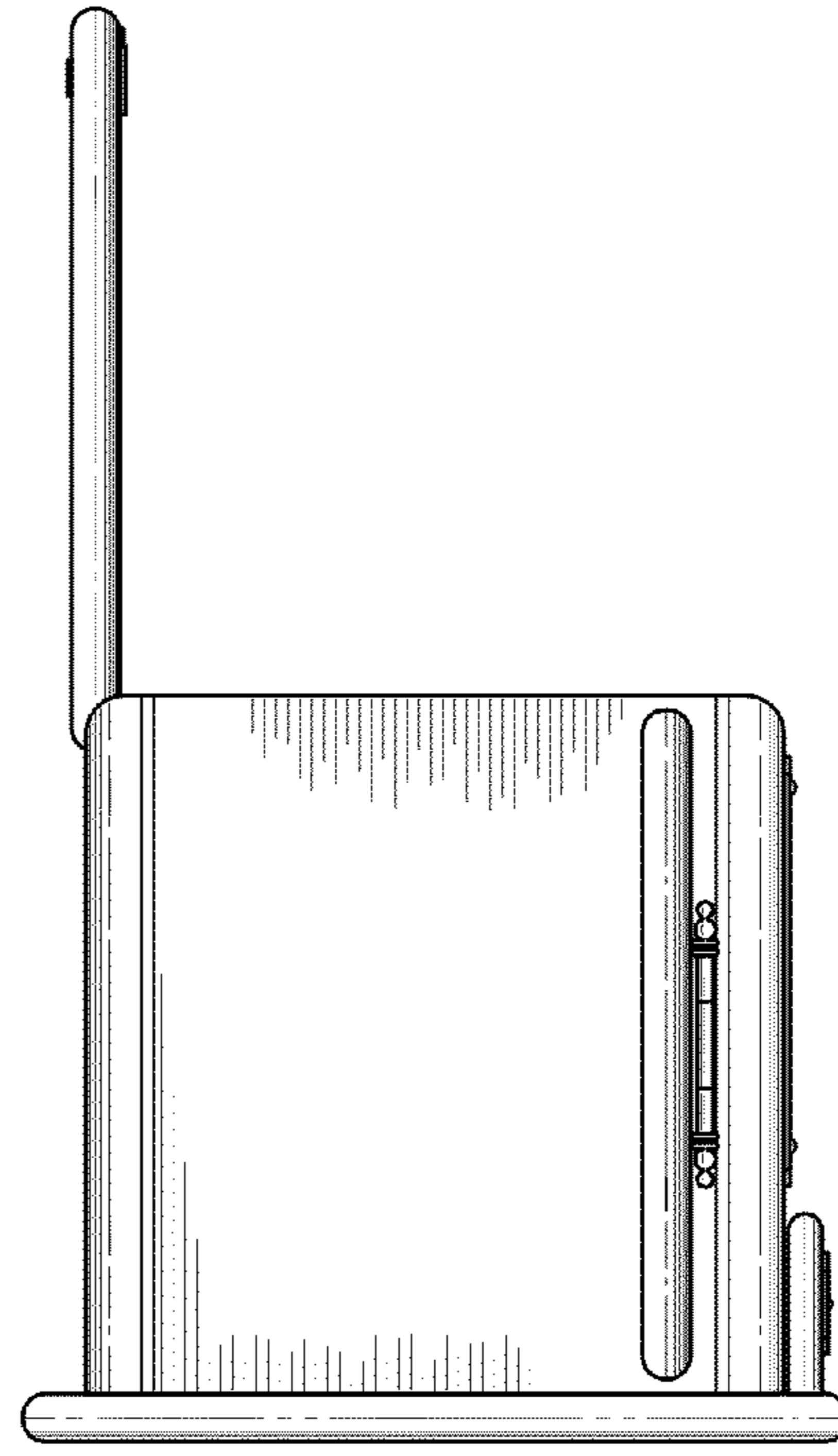


FIG. 12

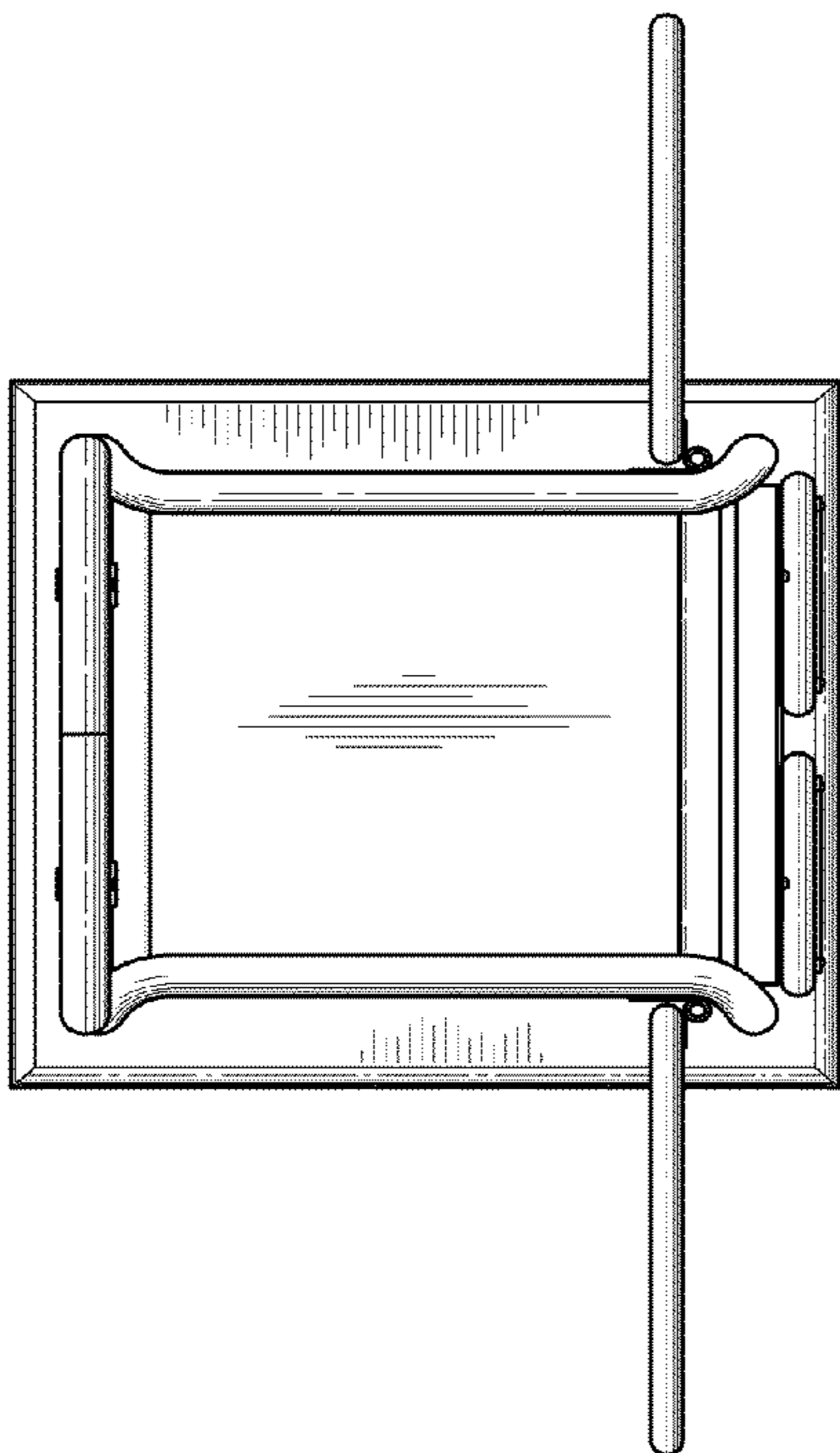


FIG. 13

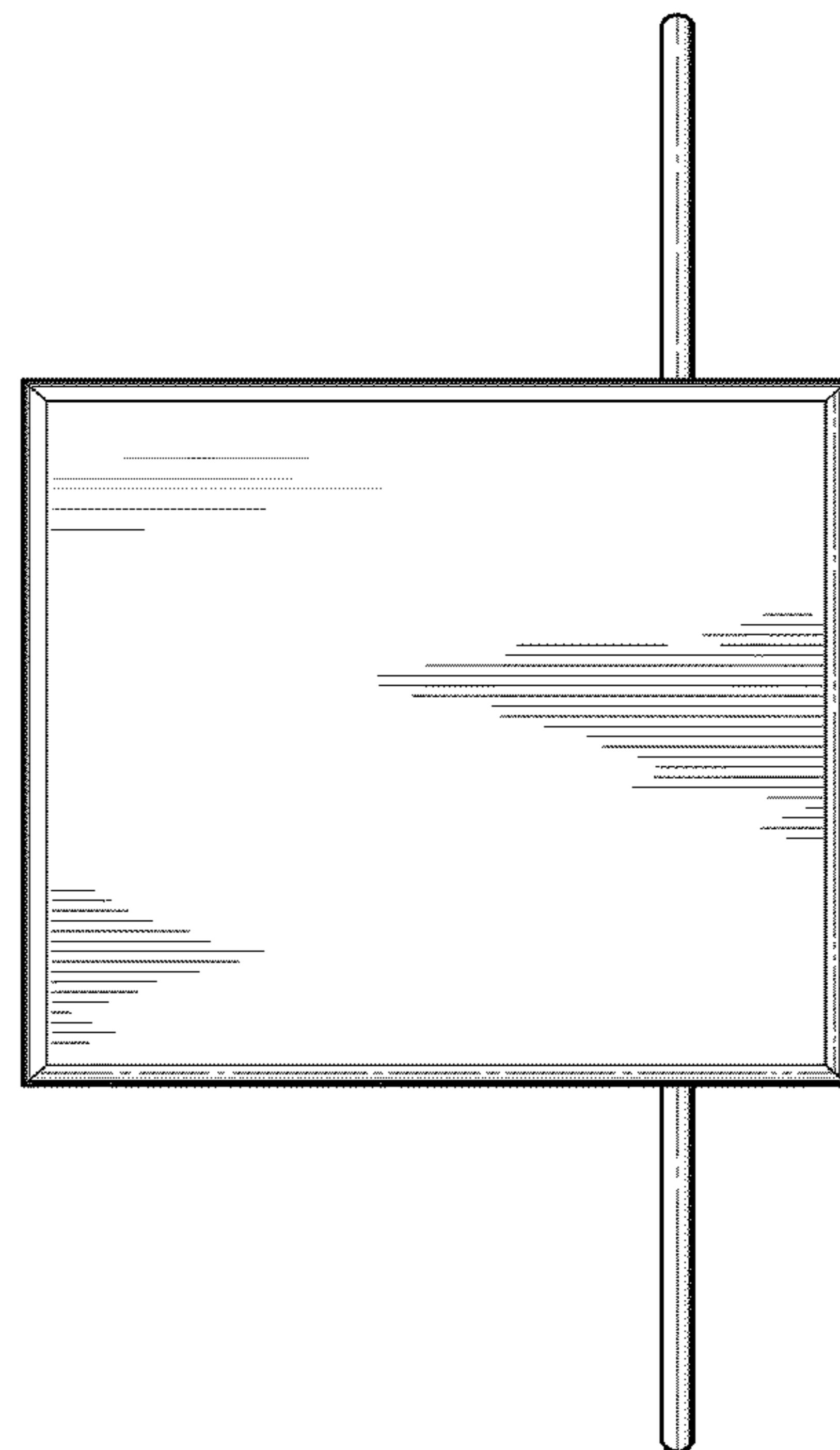


FIG. 14