



US00D708810S

(12) **United States Design Patent**
Lewis, Jr.

(10) **Patent No.:** **US D708,810 S**
(45) **Date of Patent:** **** Jul. 8, 2014**

(54) **GENERATOR CART**

(71) Applicant: **Medtronic Ardian Luxembourg S.a.r.l.**, Luxembourg (LU)

(72) Inventor: **Charles R. Lewis, Jr.**, Santa Rosa, CA (US)

(73) Assignee: **Medtronic Ardian Luxembourg S.a.r.l.**, Luxembourg (LU)

(**) Term: **14 Years**

(21) Appl. No.: **29/447,462**

(22) Filed: **Mar. 4, 2013**

(51) **LOC (10) Cl.** **12-02**

(52) **U.S. Cl.**
USPC **D34/27**

(58) **Field of Classification Search**
USPC D34/12-27; 280/47.26, 47.35, 47.34,
280/47.24, 47.27, 47.29, 79.3, 79.11, 654,
280/655, 47.28

See application file for complete search history.

(56) **References Cited**

U.S. PATENT DOCUMENTS

D118,060	S	*	12/1939	Smith	D34/24
3,074,734	A	*	1/1963	Munson et al.	280/641
D304,112	S	*	10/1989	Bettess	D34/21
D305,710	S	*	1/1990	Ng et al.	D6/474
D339,441	S	*	9/1993	Marchant et al.	D34/21
D363,590	S	*	10/1995	Kazmerchek et al.	D34/21
6,688,634	B2	*	2/2004	Noffsinger	280/651
D500,575	S	*	1/2005	Lucas	D34/12
7,168,715	B1	*	1/2007	Friedman	280/47.35

7,188,847	B1	*	3/2007	Friedman	280/47.35
7,270,339	B2	*	9/2007	Feick	280/79.3
D553,324	S	*	10/2007	Lieblein	D34/14
D670,472	S	*	11/2012	Ono	D34/12

OTHER PUBLICATIONS

Klein, Brian, "The Design Story Behind the Vessix V2 Renal Denervation Device," 2012, accessed Jul. 15, 2013, 3 pages. <<http://www.medgadget.com/2012/04/the-design-story-behind-the-vessix-v2-renal-denervation-device.html>>.

Wilson, Mark, "A Gold Rush in Medical Design, Inspired Partly By ipads," Co.Design: business + innovation + design, 2012, accessed Jul. 15, 2013, 3 pages, <<http://www.fastcodesign.com/1669613/a-gold-rush-in-medical-design-inspired-partly-by-ipads>>.

* cited by examiner

Primary Examiner — Cynthia Ramirez

(57) **CLAIM**

The ornamental design for a generator cart, as shown and described.

DESCRIPTION

FIG. 1 is a front perspective view of an embodiment of a generator cart showing our design.

FIG. 2 is a back elevational view thereof.

FIG. 3 is a front elevational view thereof.

FIG. 4 is a left side elevational view thereof.

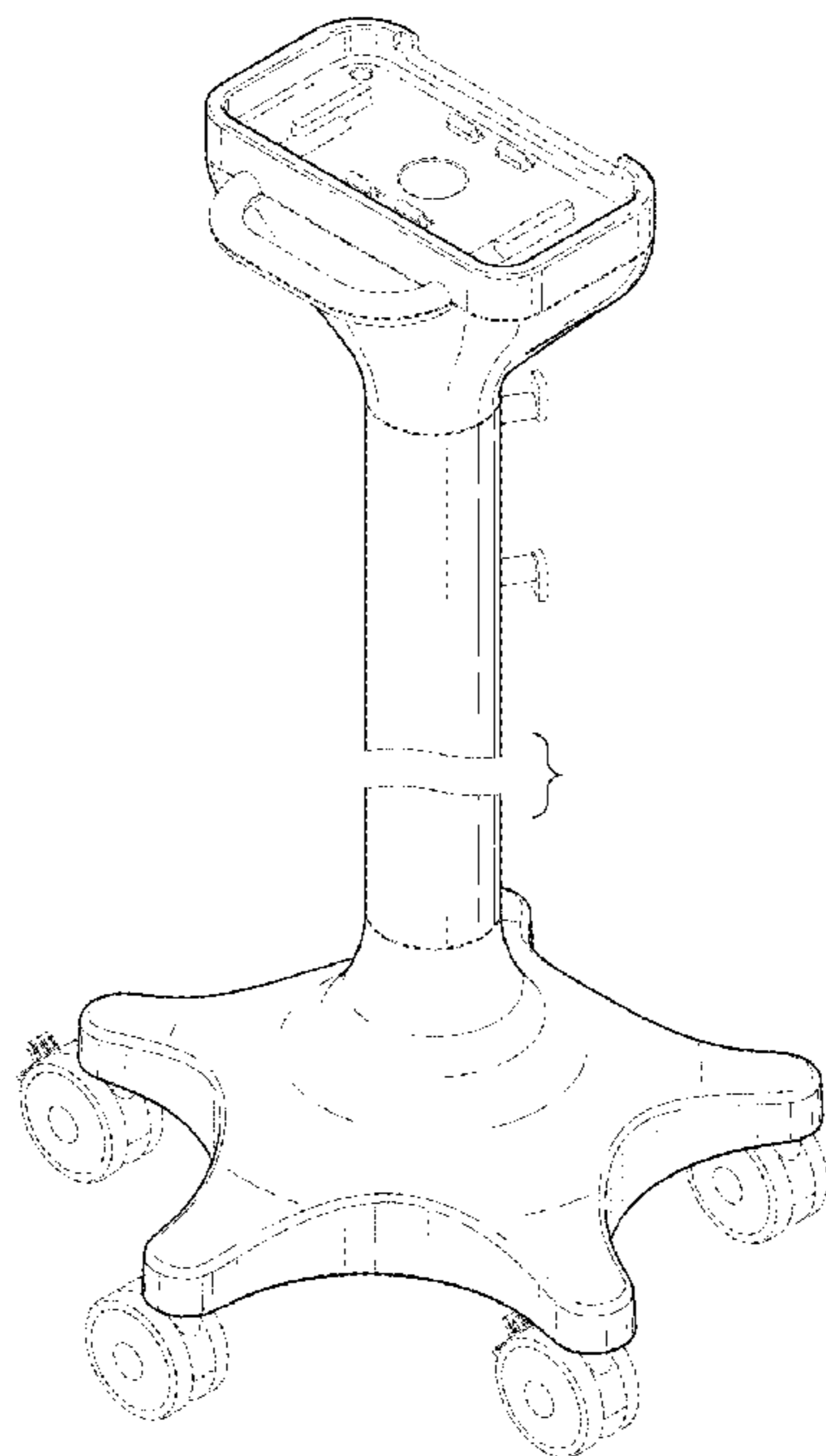
FIG. 5 is a right side elevational view thereof.

FIG. 6 is a top view thereof; and,

FIG. 7 is a bottom view thereof.

The broken lines wrapping around the middle portion of the cart's post indicate that any portion of the article beyond what is shown forms no part of the claimed design.

1 Claim, 4 Drawing Sheets



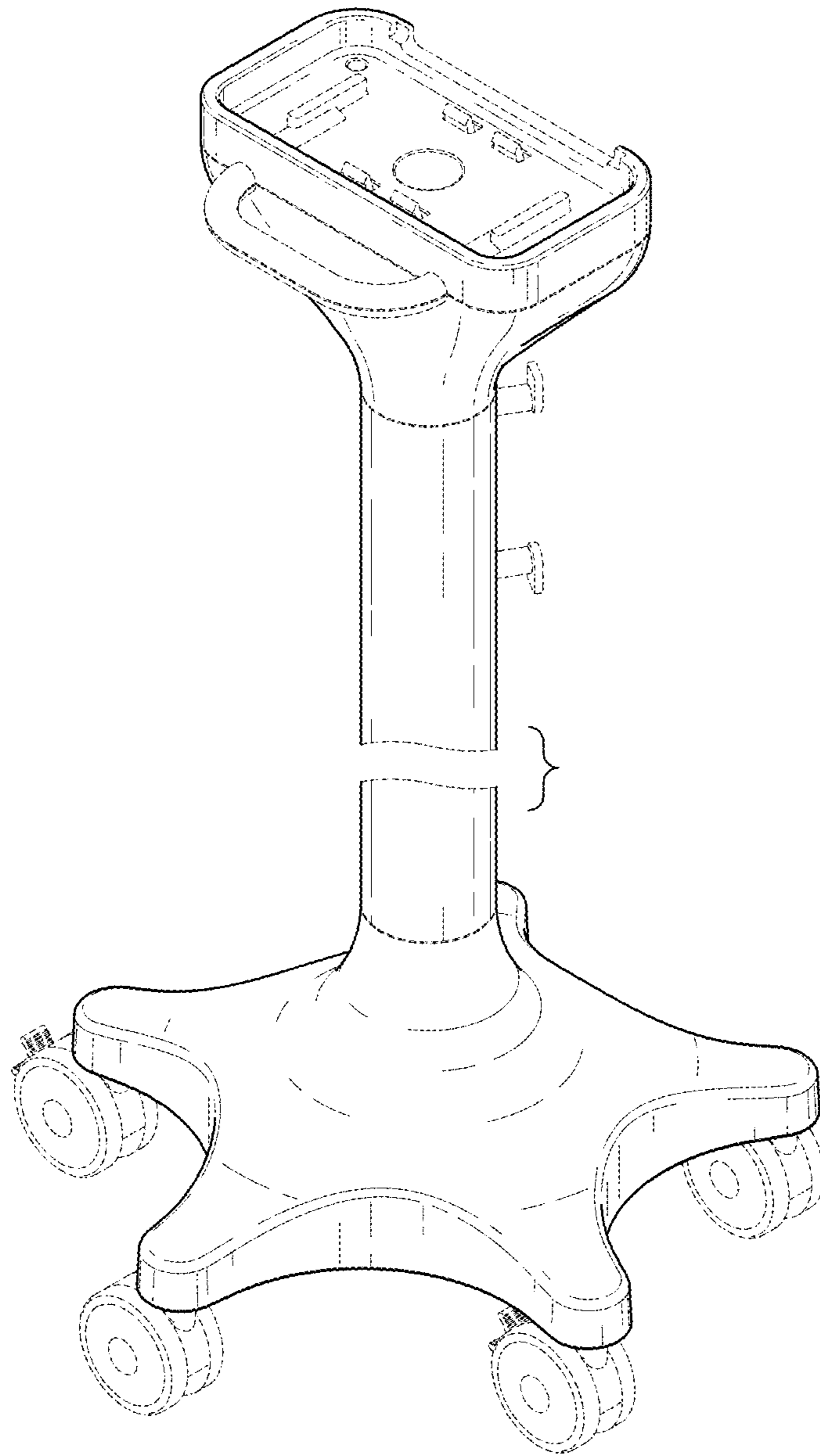


Fig. 1

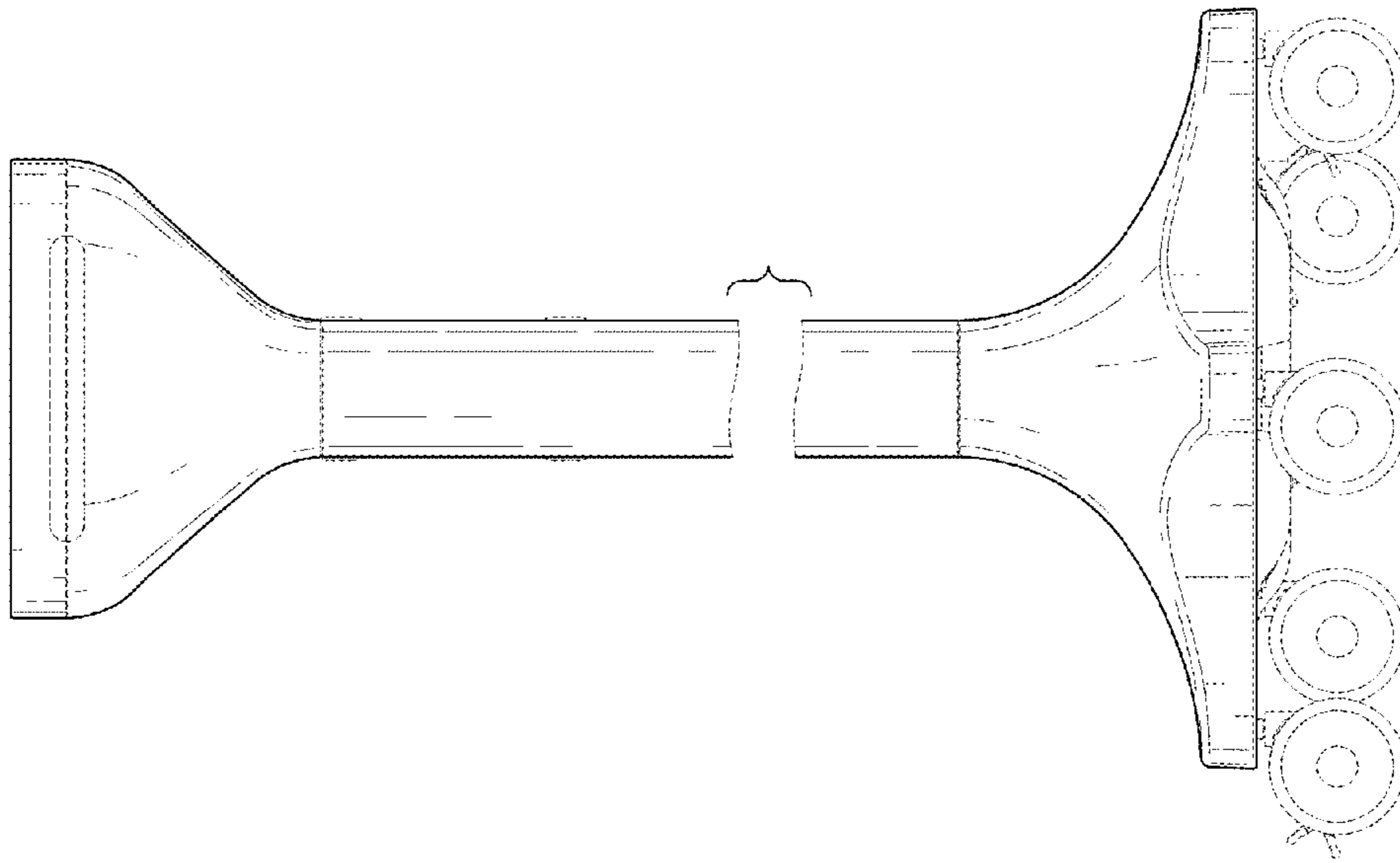


Fig. 3

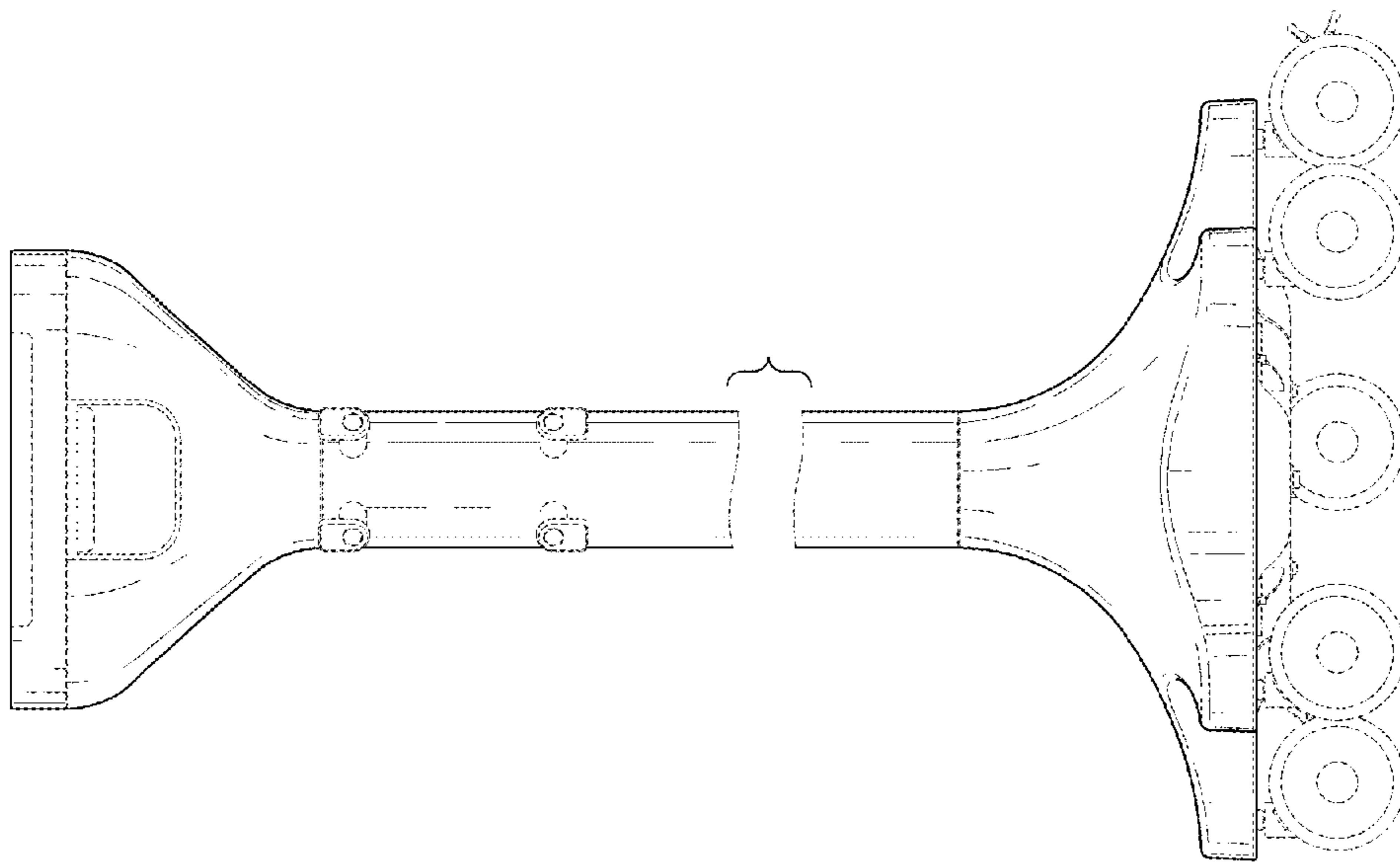


Fig. 2

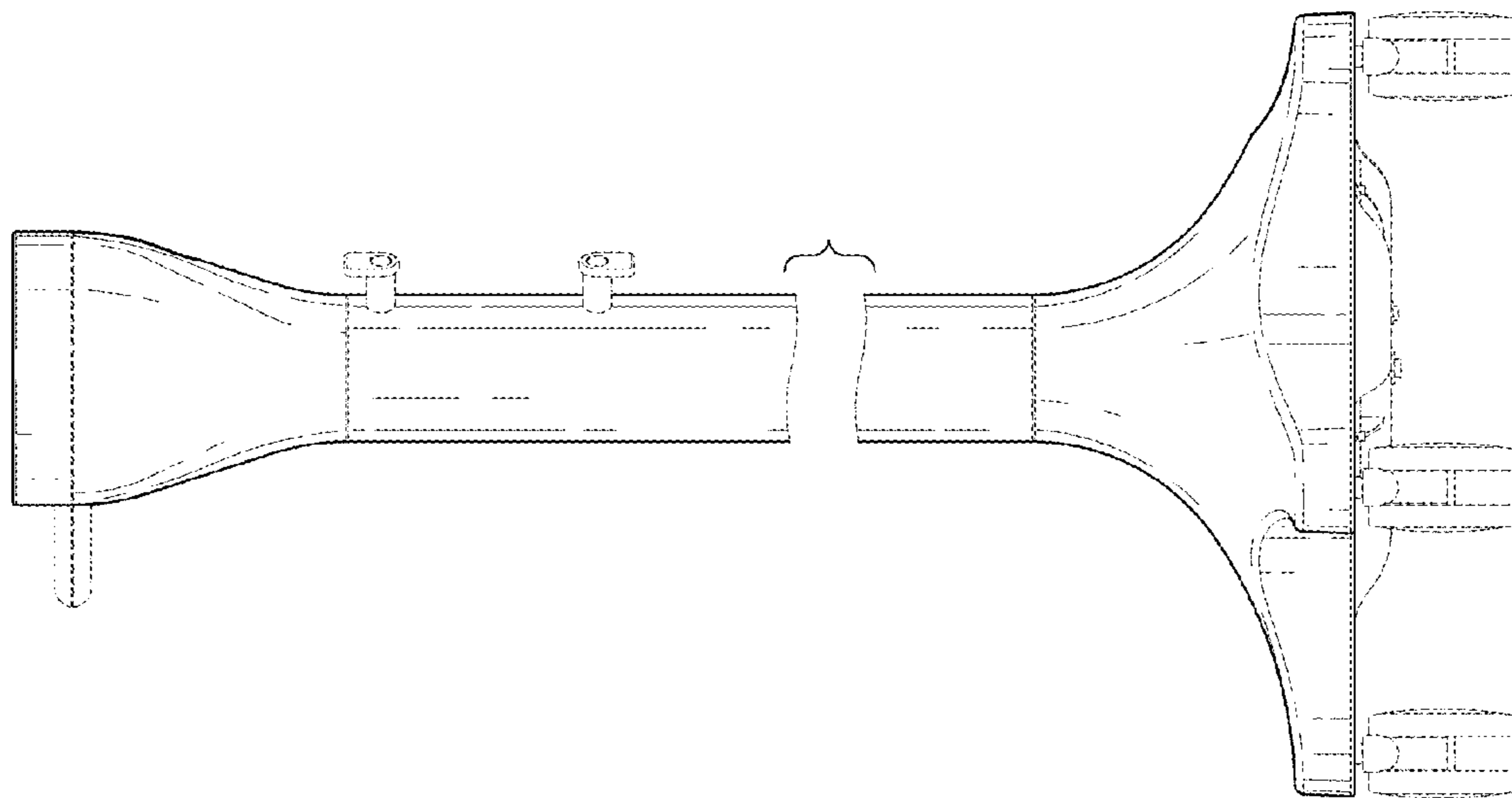


Fig. 5

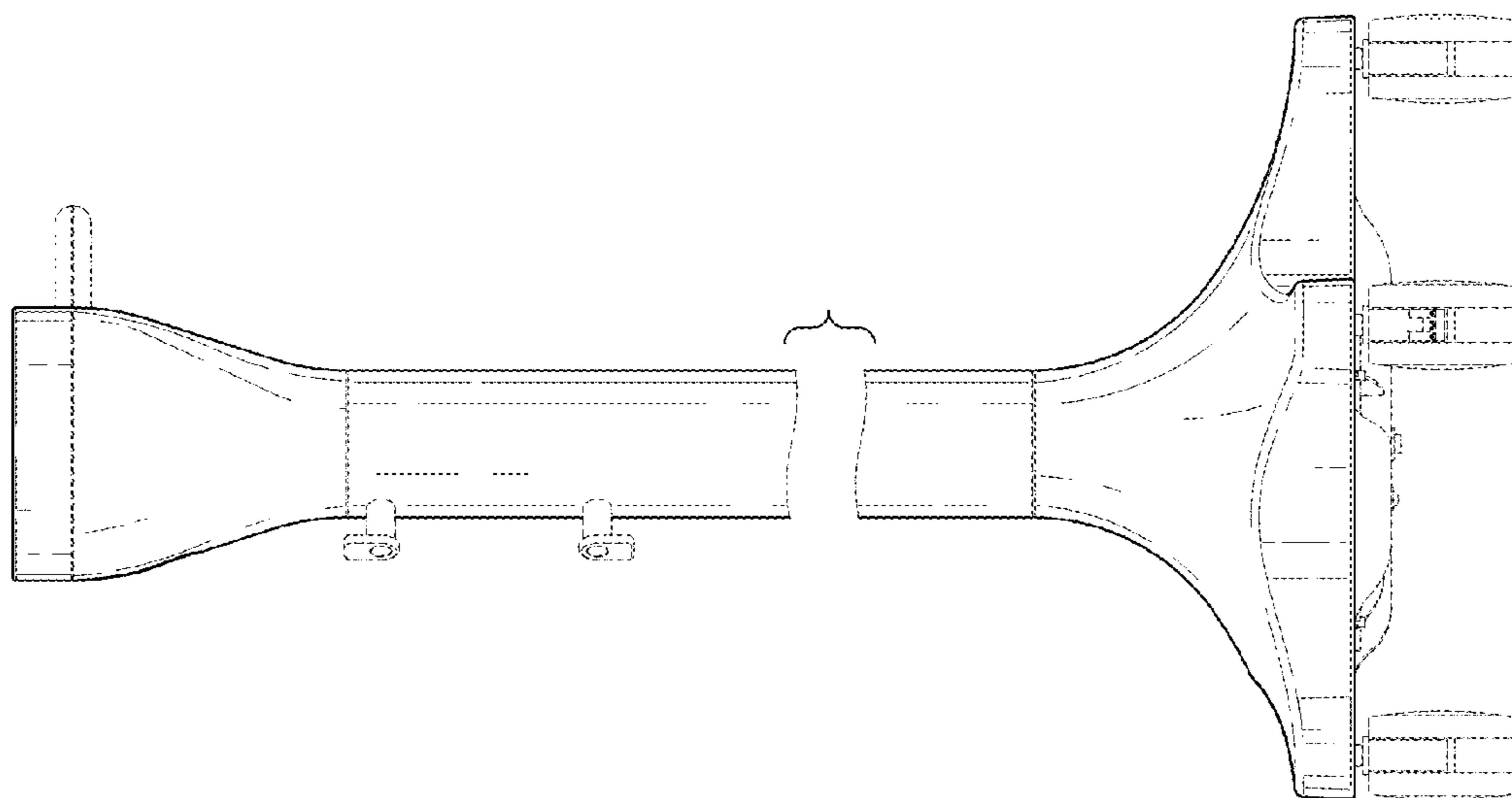


Fig. 4

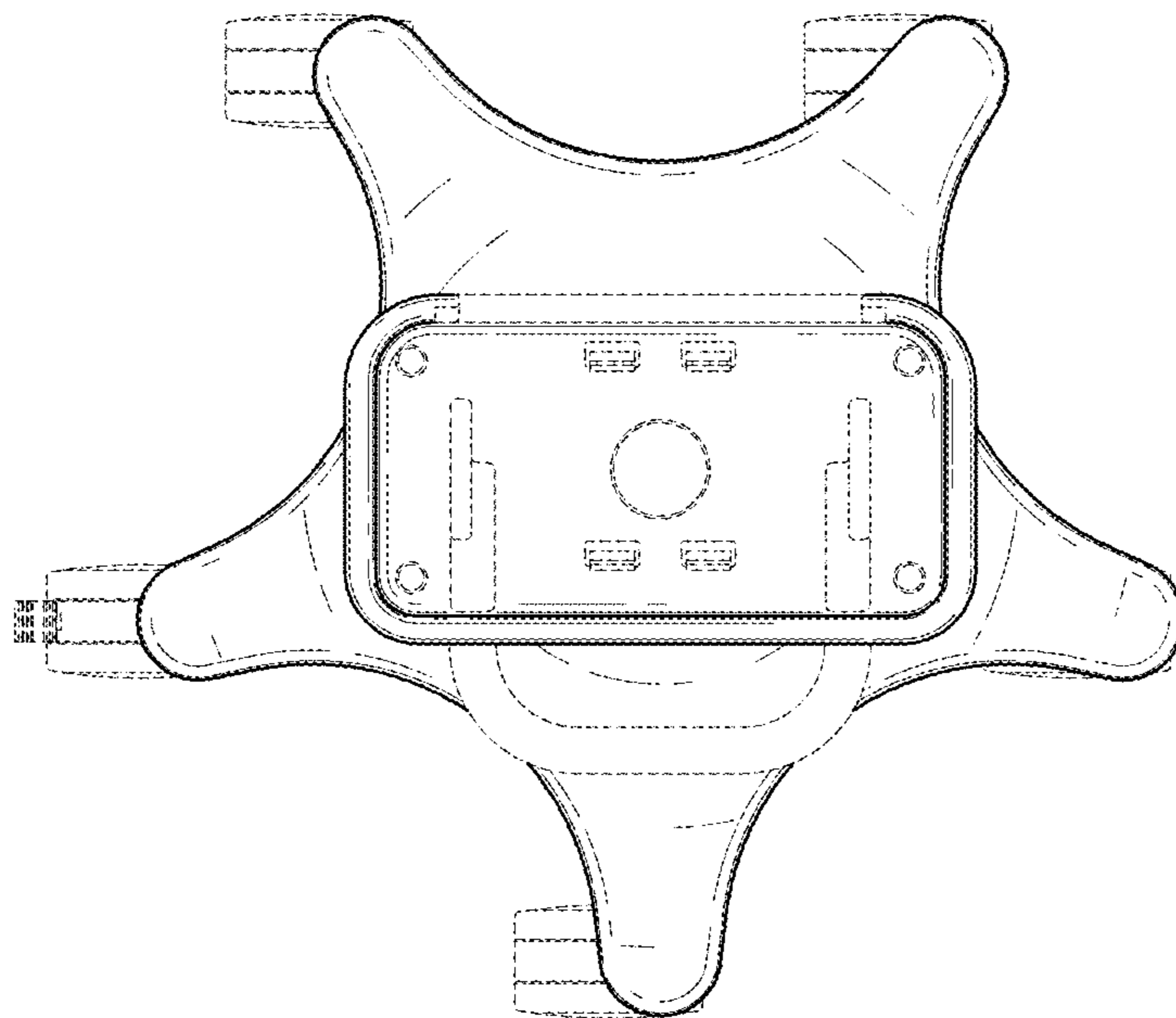


Fig. 6

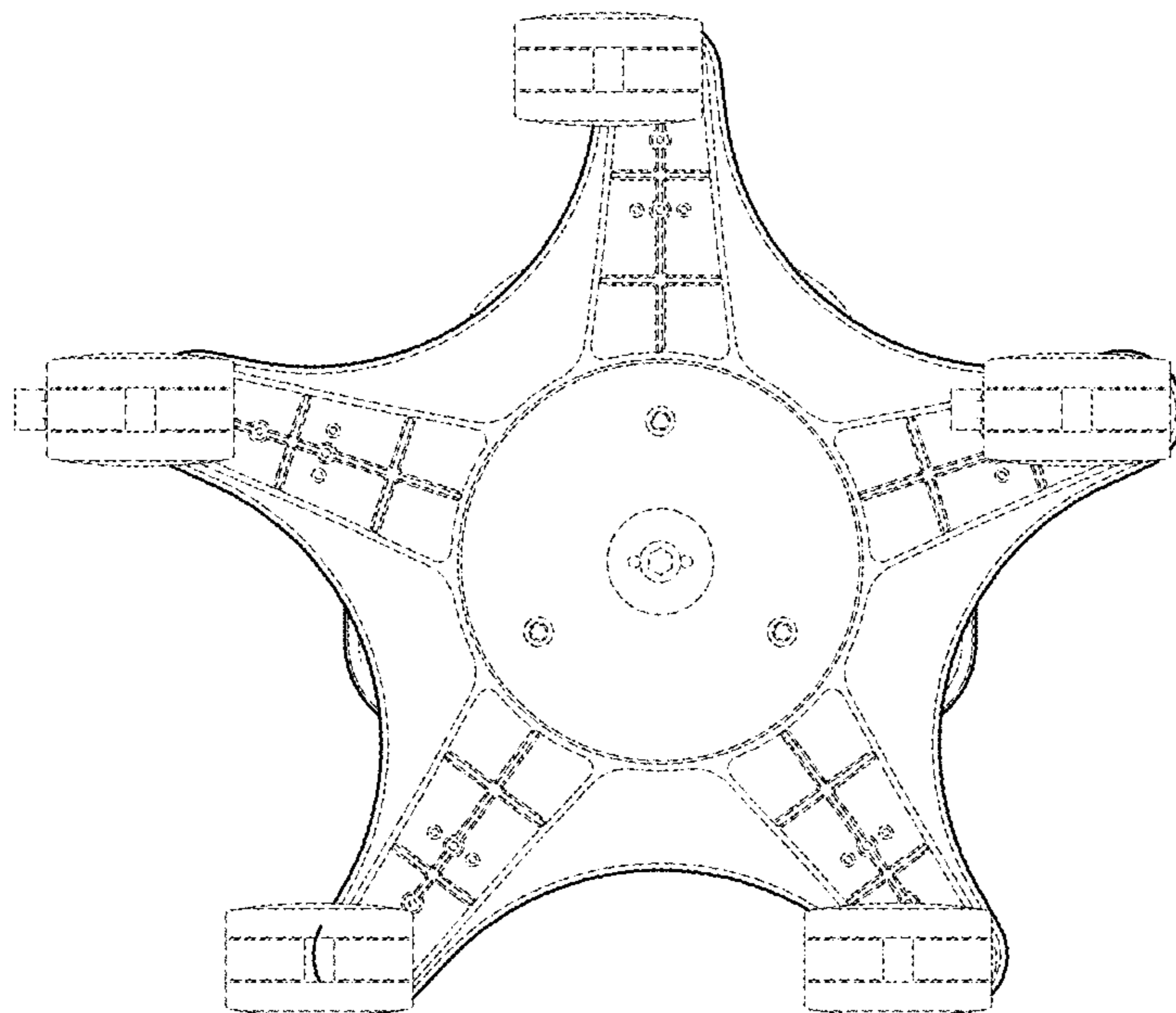


Fig. 7