



US00D708809S

(12) **United States Design Patent**
Maddux et al.

(10) **Patent No.:** **US D708,809 S**
(45) **Date of Patent:** **** Jul. 8, 2014**

(54) **ROOM SERVICE MEAL DELIVERY CART WITH DRAINAGE TOP**

(56) **References Cited**

U.S. PATENT DOCUMENTS

- (71) Applicants: **Larry Maddux**, Westminister, CA (US);
Jeff Nicholson, Long Beach, CA (US)
- (72) Inventors: **Larry Maddux**, Westminister, CA (US);
Jeff Nicholson, Long Beach, CA (US)
- (73) Assignee: **Cambro Manufacturing Company**,
Huntington Beach, CA (US)

D232,166	S	*	7/1974	Salsgiver	D34/19
D323,051	S	*	1/1992	Baggott	D34/19
D355,517	S	*	2/1995	Campbell et al.	D34/20
D391,032	S	*	2/1998	Delmerico	D34/21
D411,044	S	*	6/1999	Maddux et al.	D34/20
D621,569	S	*	8/2010	Linnell, Jr.	D34/19
D637,373	S	*	5/2011	Benning et al.	D34/19
D653,010	S	*	1/2012	Shen et al.	D34/19
D671,703	S	*	11/2012	Guasta et al.	D34/19
D697,685	S	*	1/2014	Maddux	D34/19

* cited by examiner

Primary Examiner — Cynthia Ramirez

(74) *Attorney, Agent, or Firm* — George F. Bethel

(57) **CLAIM**

We claim the ornamental design for a room service meal delivery cart with drainage top, as shown and described.

DESCRIPTION

FIG. 1 is a frontal perspective view showing the top, front and left side of the room service meal delivery cart with drainage top.

FIG. 2 is a front elevation view.

FIG. 3 is a left side elevation view.

FIG. 4 is a top plan view.

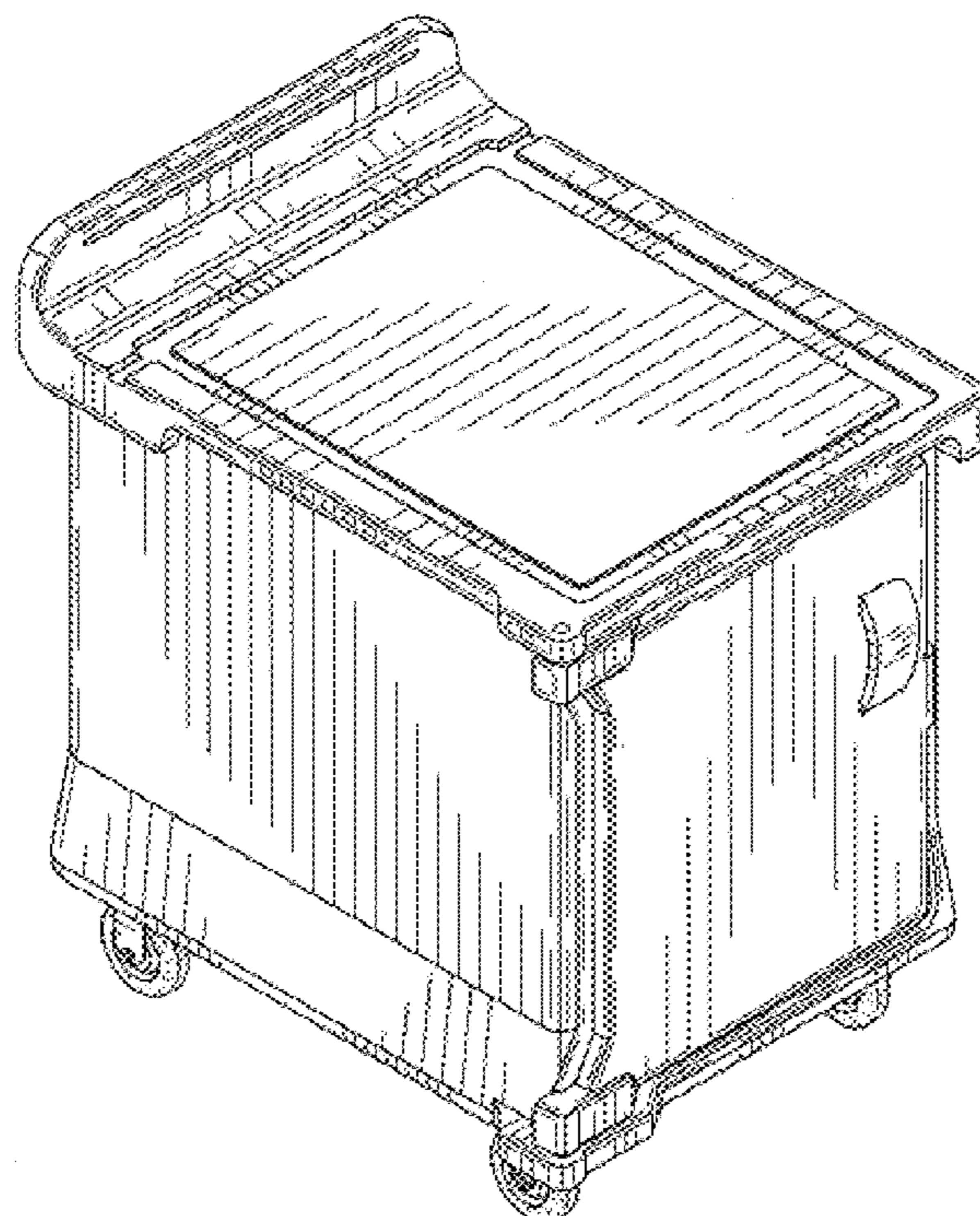
FIG. 5 is a right side elevation view; and,

FIG. 6 is a rear elevation view of the room service meal delivery cart with drainage top.

- (**) Term: **14 Years**
- (21) Appl. No.: **29/454,911**
- (22) Filed: **May 15, 2013**
- (51) **LOC (10) Cl.** **12-02**
- (52) **U.S. Cl.**
USPC **D34/19**
- (58) **Field of Classification Search**
CPC B62B 3/02; B62B 3/10; B62B 3/006;
B62B 3/002; B62B 2202/404; B62B 2002/02;
B62B 1/12; B62B 1/10; B62B 5/0083; B65F
1/1468
USPC D34/12-27; 280/47.35, 79.11, 79.3,
280/47.26, 79.2

See application file for complete search history.

1 Claim, 4 Drawing Sheets



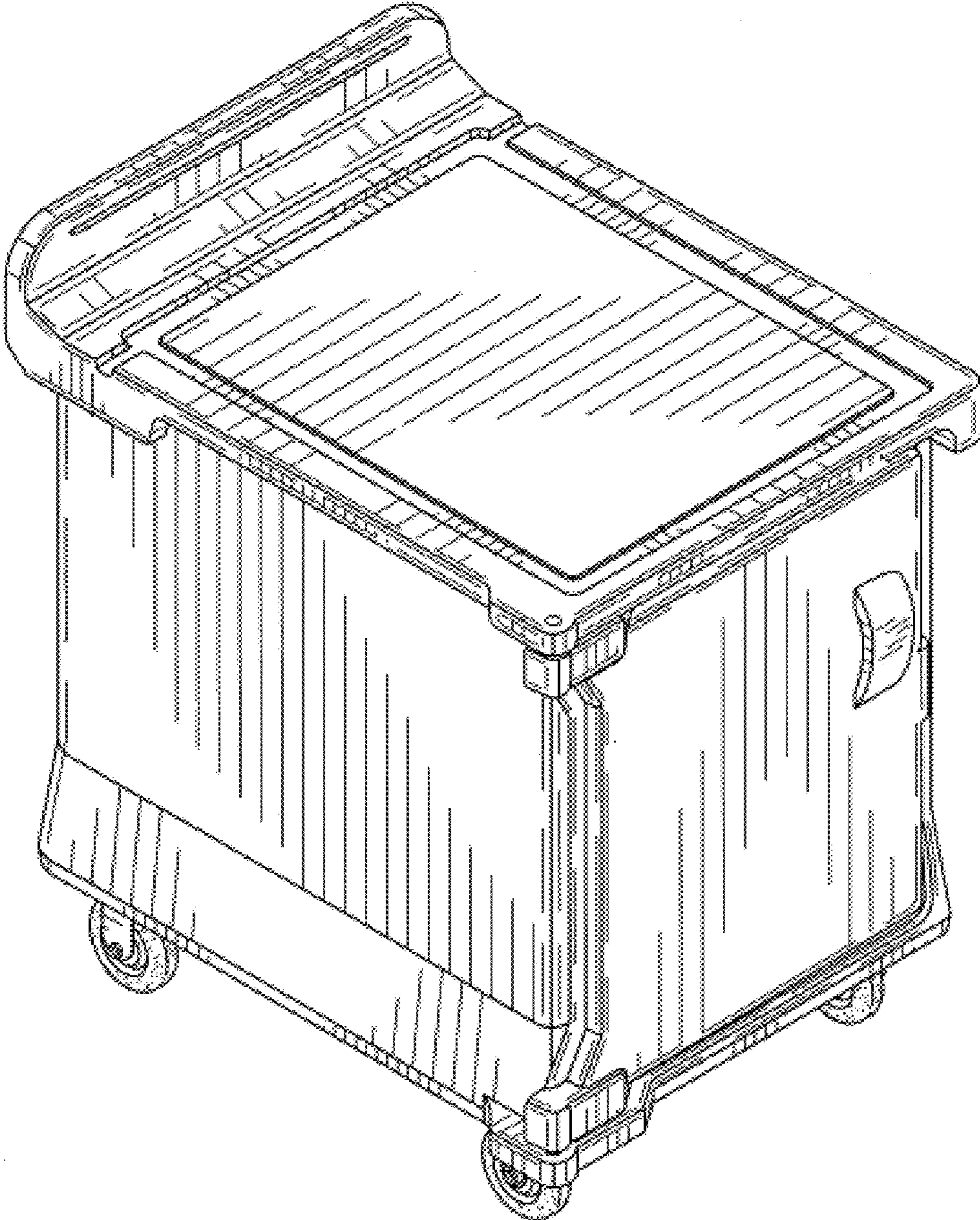


FIG. 1

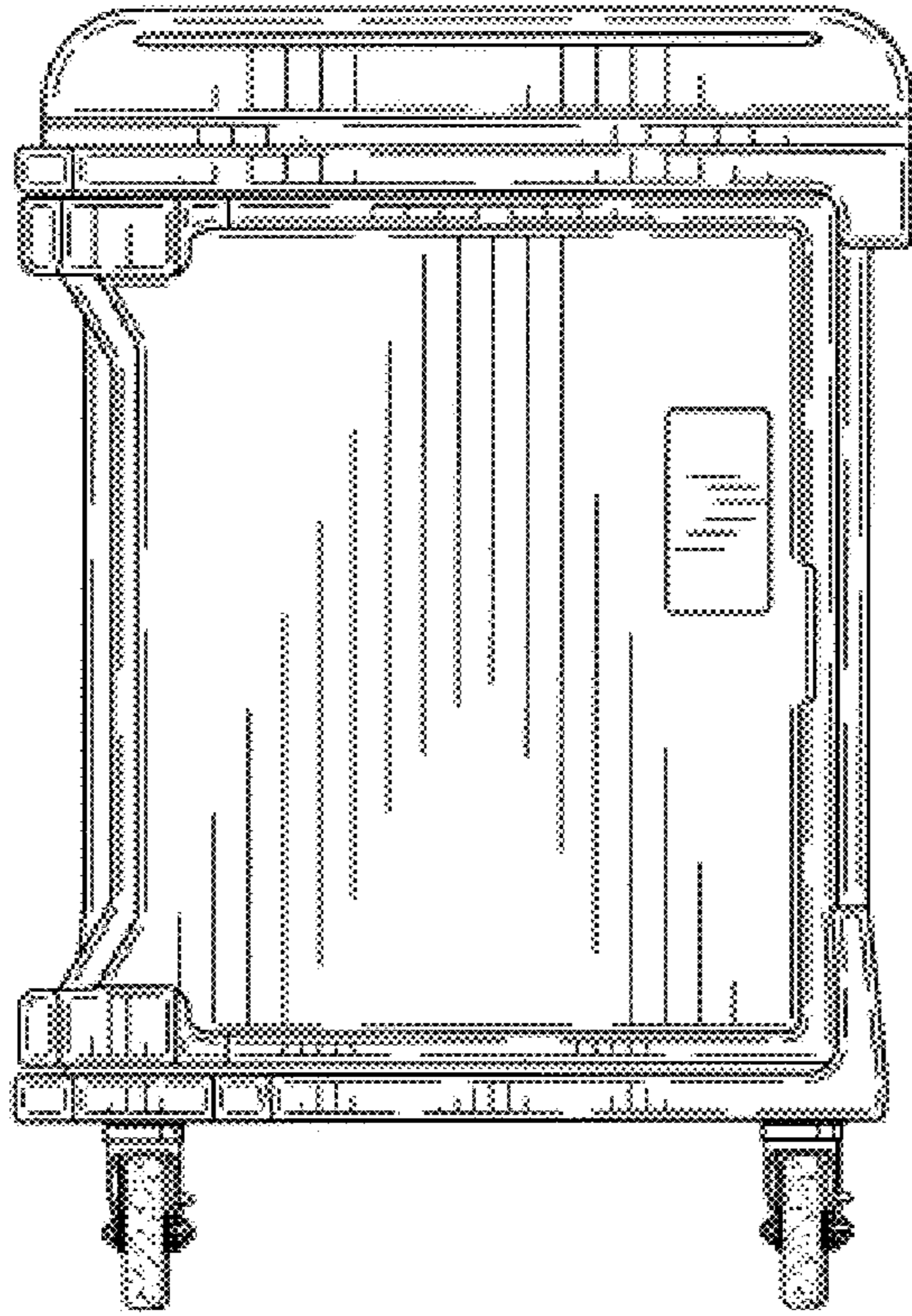
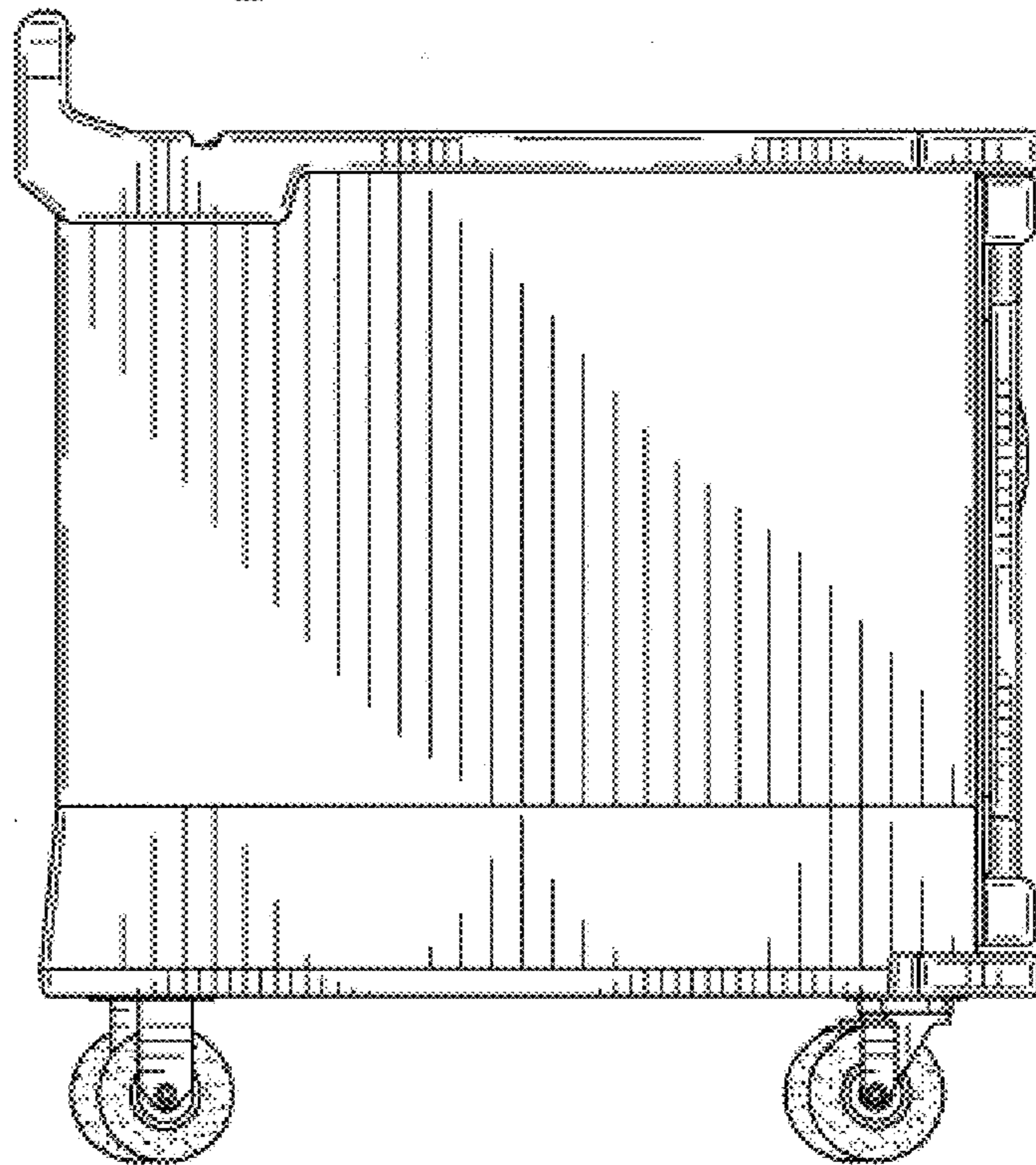


FIG. 2

FIG. 3



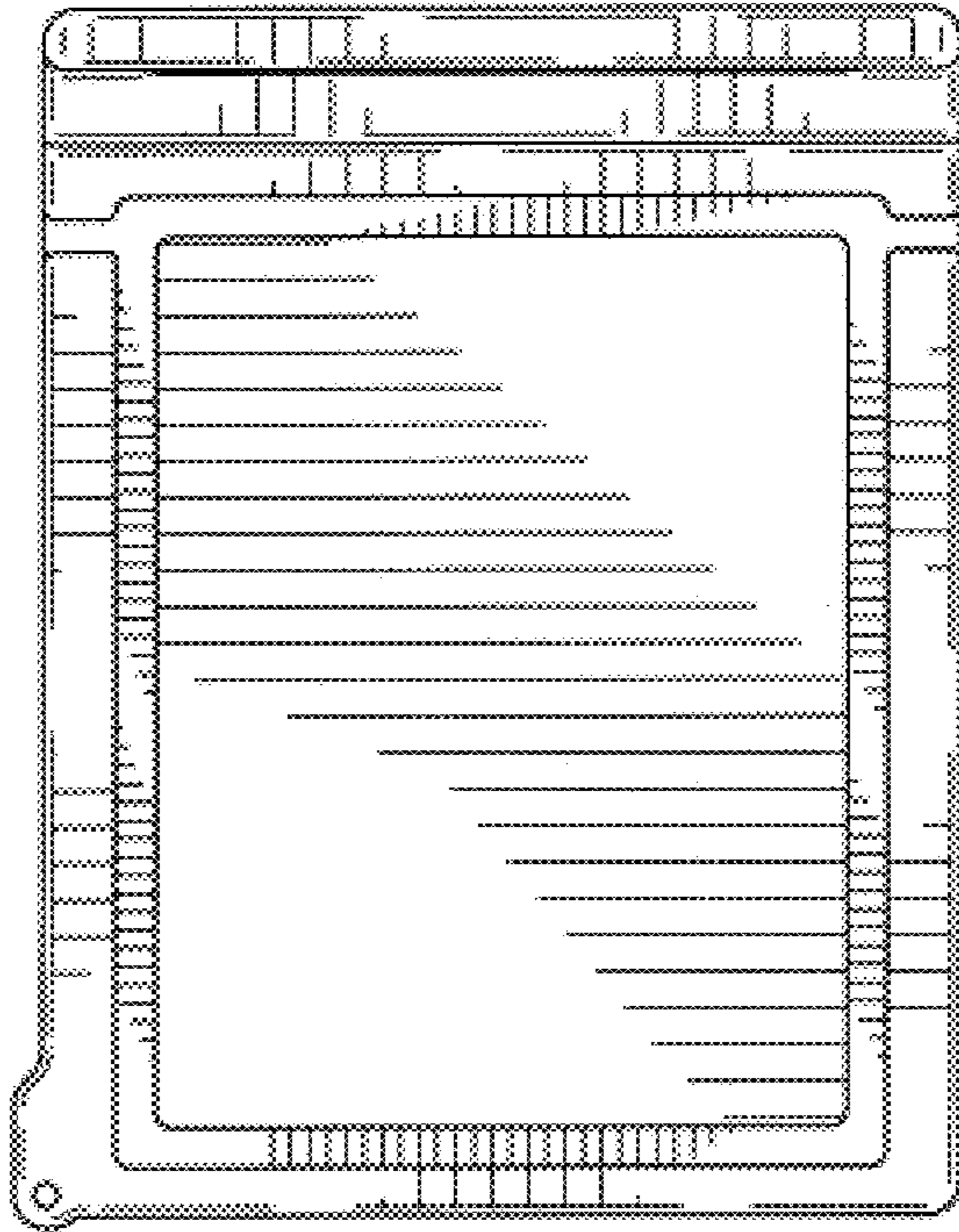
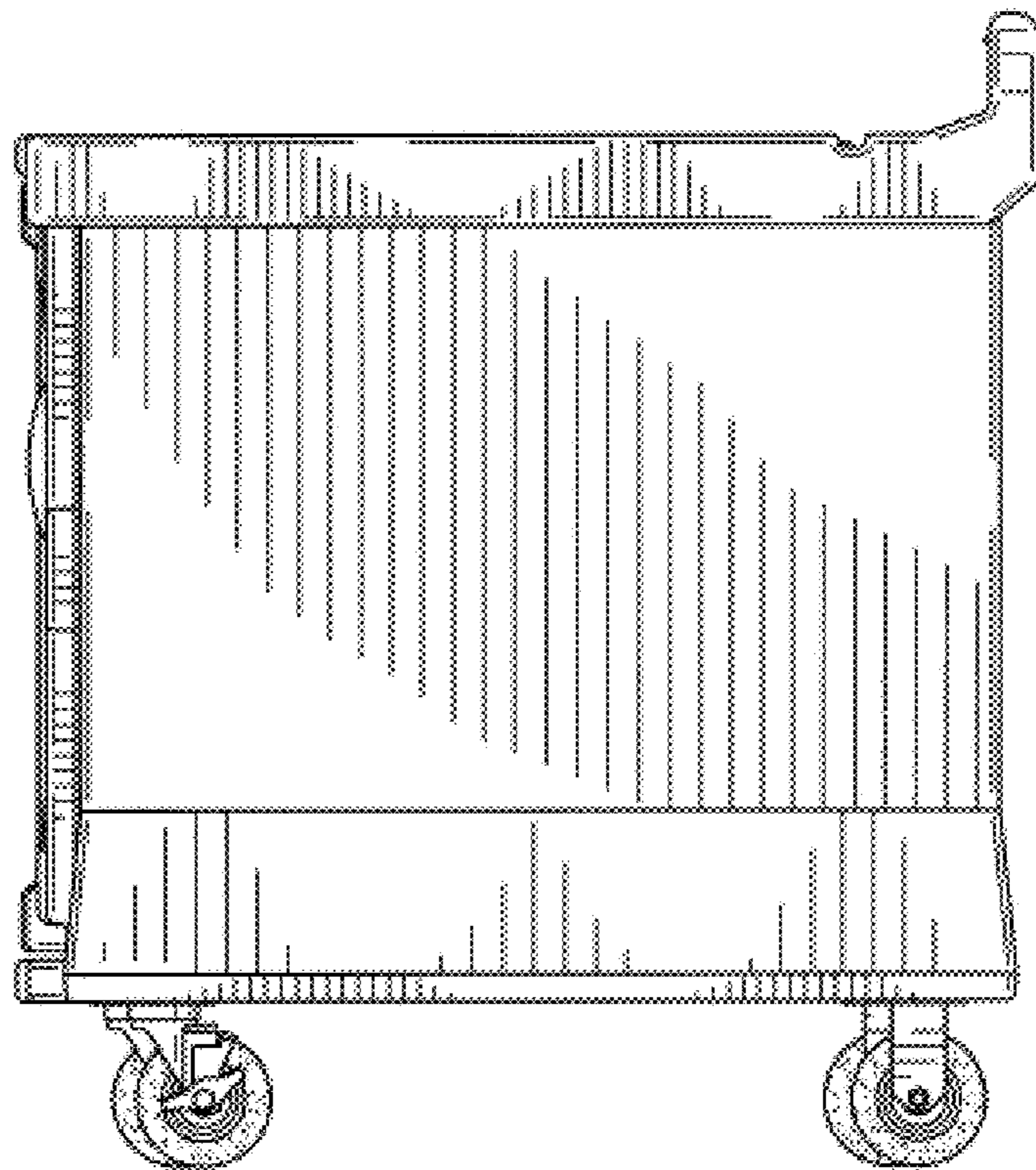


FIG. 4

FIG. 5



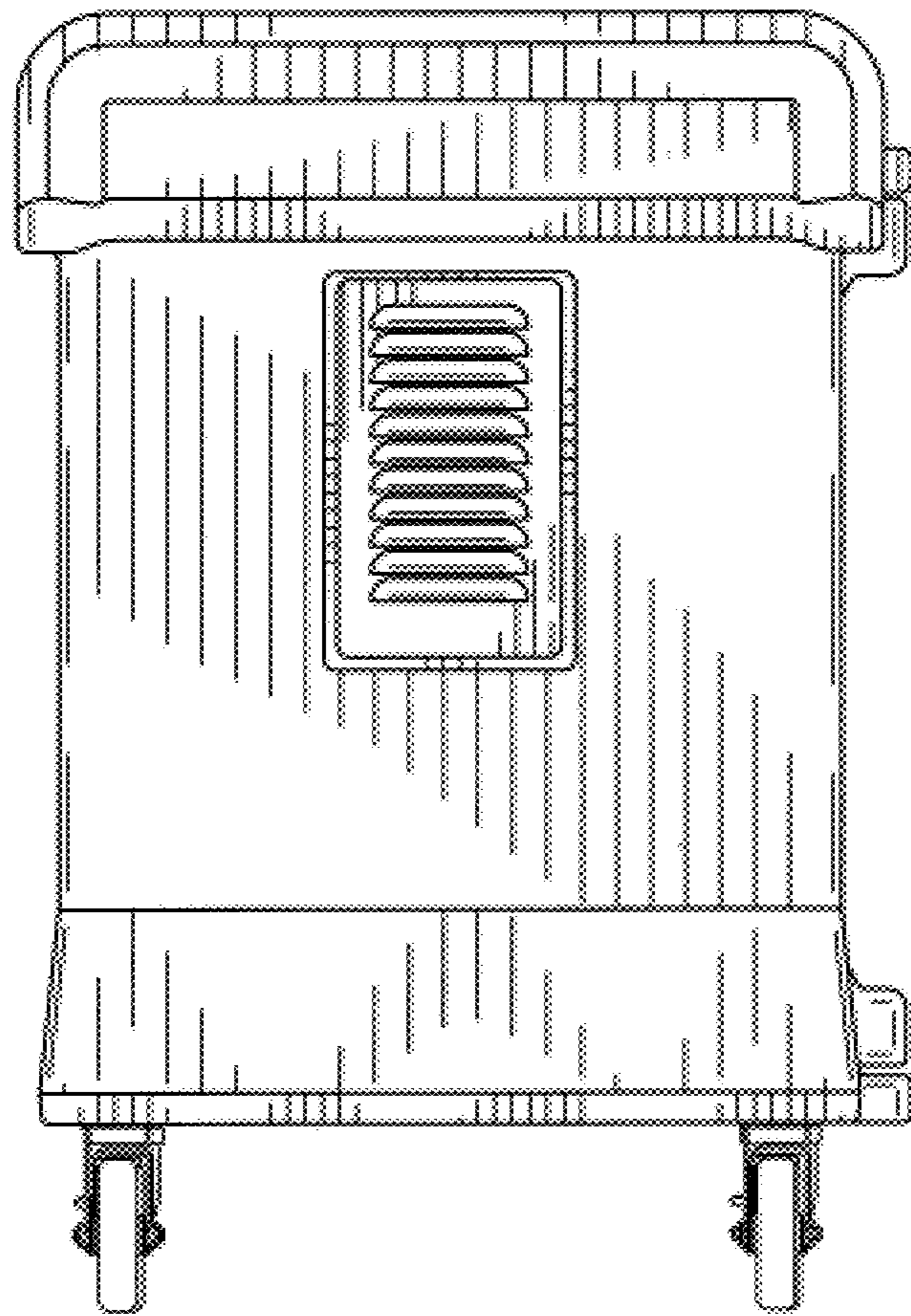


FIG. 6