



US00D708808S

(12) **United States Design Patent**
Carlos et al.

(10) **Patent No.:** **US D708,808 S**
(45) **Date of Patent:** **** Jul. 8, 2014**

(54) **BAG HOLDER**

(71) Applicant: **Catilina Nominees Pty Ltd**, Dandenong South (AU)

(72) Inventors: **Ben Carlos**, Dandenong South (AU);
Bert Pennings, Dandenong South (AU)

(73) Assignee: **Catilina Nominees Pty Ltd**, Dandenong South, VIC (AU)

(**) Term: **14 Years**

(21) Appl. No.: **29/447,708**

(22) Filed: **Mar. 6, 2013**

(30) **Foreign Application Priority Data**

Sep. 6, 2012 (AU) 14428/2012

(51) **LOC (10) Cl.** **09-09**

(52) **U.S. Cl.**
USPC **D34/5**

(58) **Field of Classification Search**
USPC D34/1-11; 248/95, 97, 99, 100, 101;
220/908, 908.1, 911, 912, 913

See application file for complete search history.

(56) **References Cited**

U.S. PATENT DOCUMENTS

D237,675	S	*	11/1975	Cameron	D34/1
D304,872	S	*	11/1989	Jebb	D34/1
D400,331	S	*	10/1998	Rausch	D34/1
D625,068	S	*	10/2010	Shannon	D34/1
2004/0217237	A1	*	11/2004	McAllister	248/95
2013/0232923	A1	*	9/2013	Beverluis	53/492

* cited by examiner

Primary Examiner — Cynthia Ramirez

(74) *Attorney, Agent, or Firm* — Fish & Richardson P.C.

(57) **CLAIM**

The ornamental design for a bag holder, as shown and described.

DESCRIPTION

FIG. 1 is an isometric view of a bag holder of the claimed design, taken from above;

FIG. 2 is an isometric view of the bag holder of FIG. 1, taken from below;

FIG. 3 is a front view of the bag holder of FIG. 1;

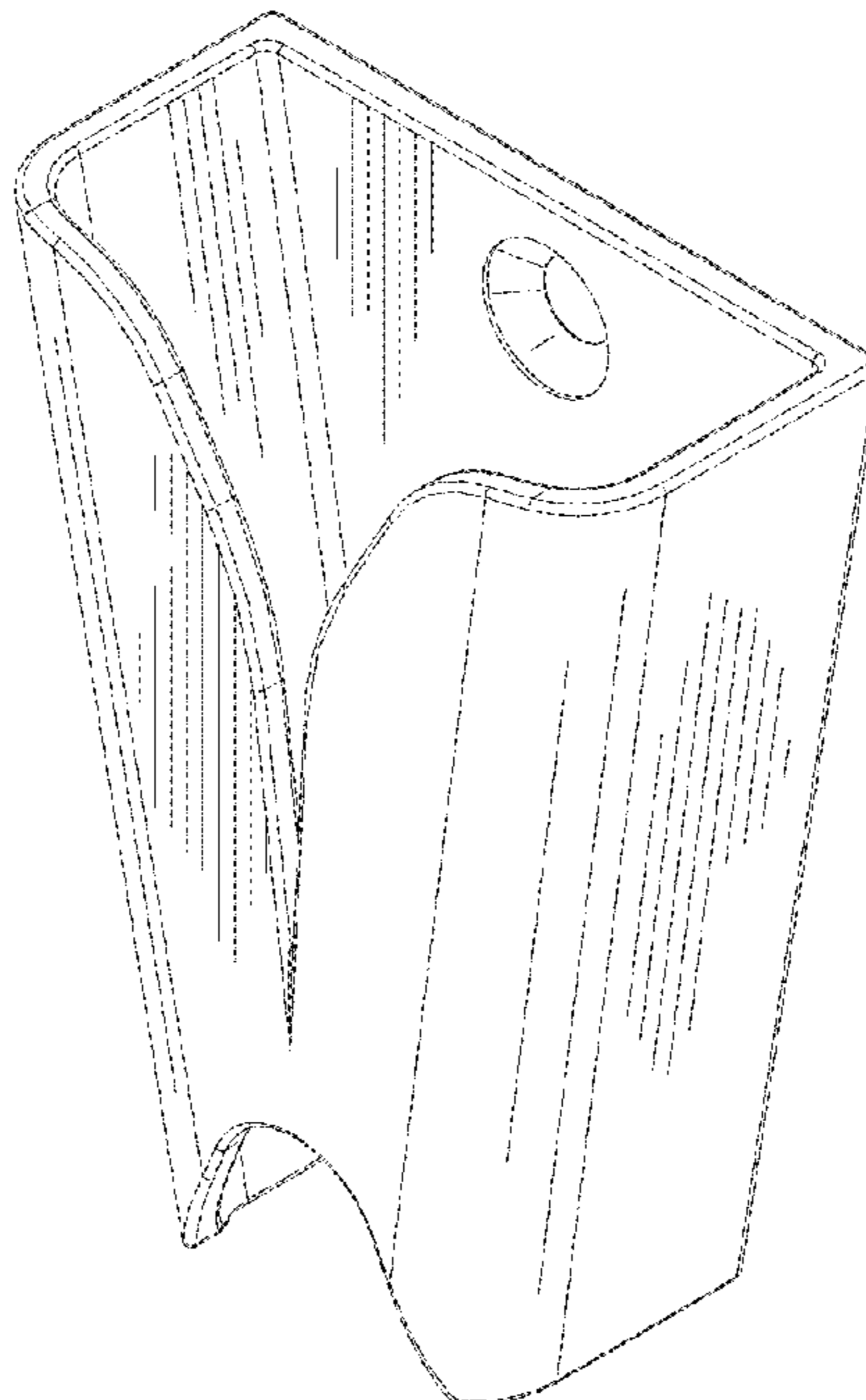
FIG. 4 is a rear view of the bag holder of FIG. 1;

FIG. 5 is a first side view of the bag holder of FIG. 1, the opposite side view being a mirror image;

FIG. 6 is a top plan view of a bag holder design of FIG. 1; and, FIG. 7 is a bottom plan view of the bag holder design of FIG. 1.

1.

1 Claim, 3 Drawing Sheets



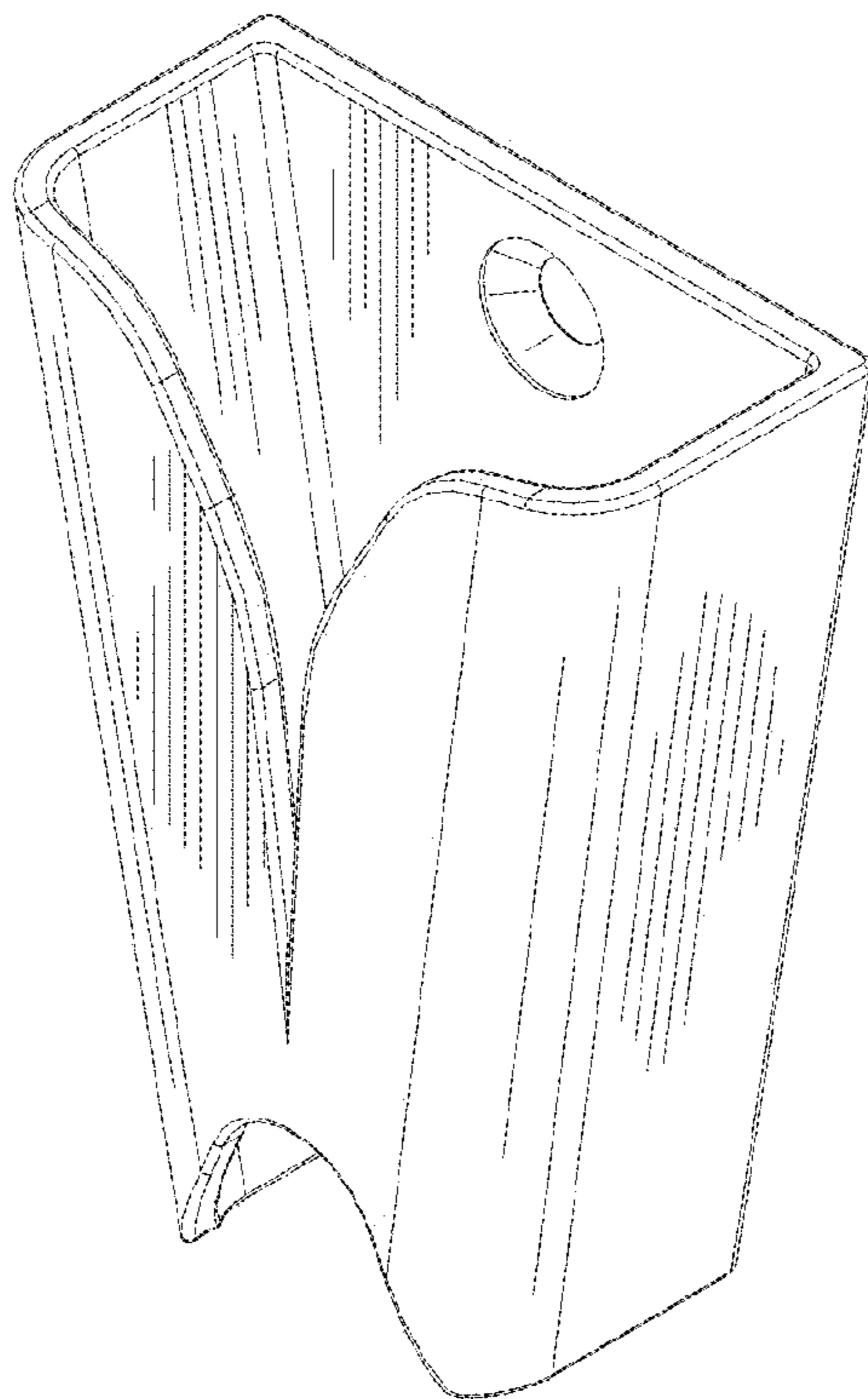


FIG 1

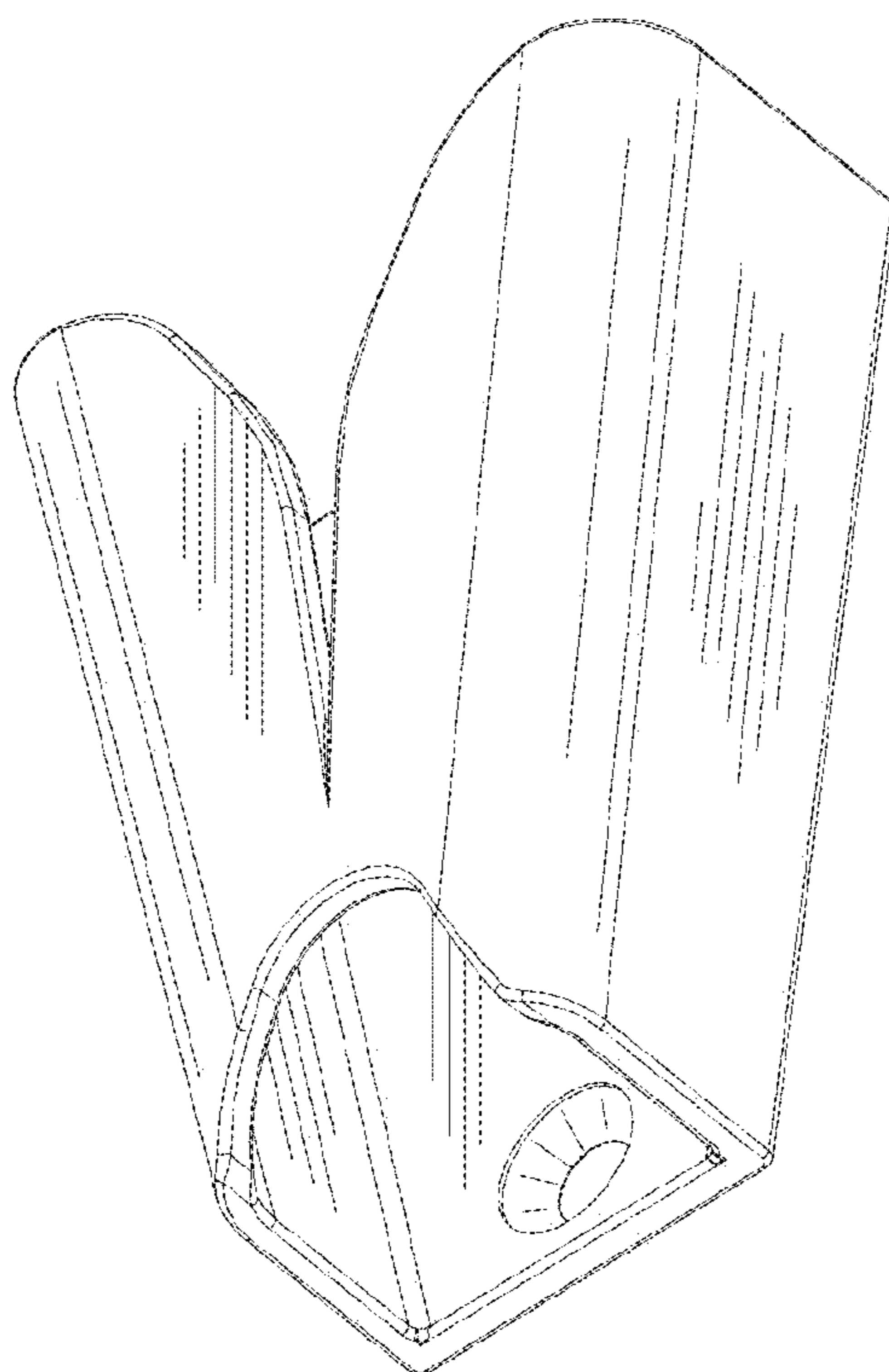


FIG 2

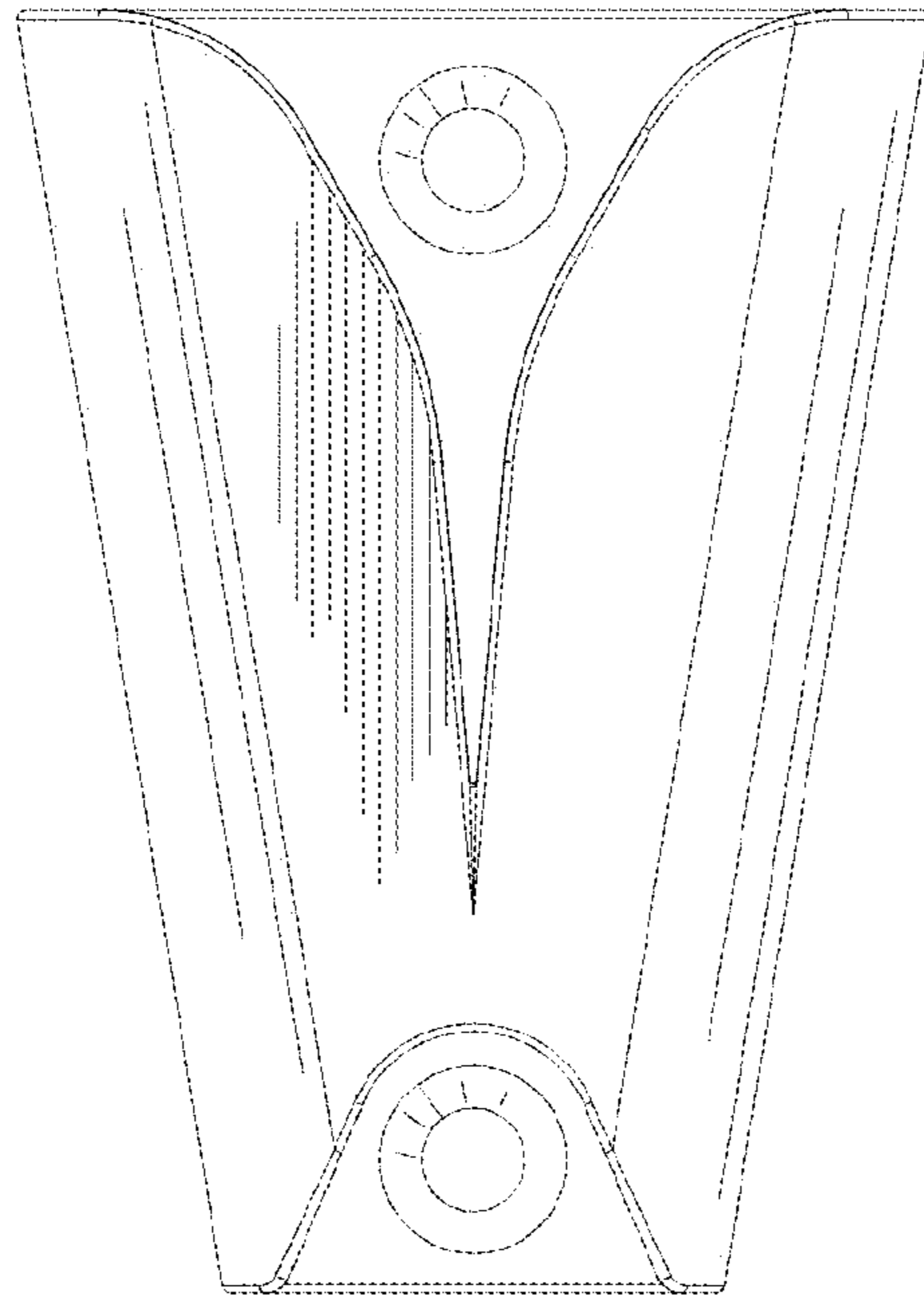


FIG 3

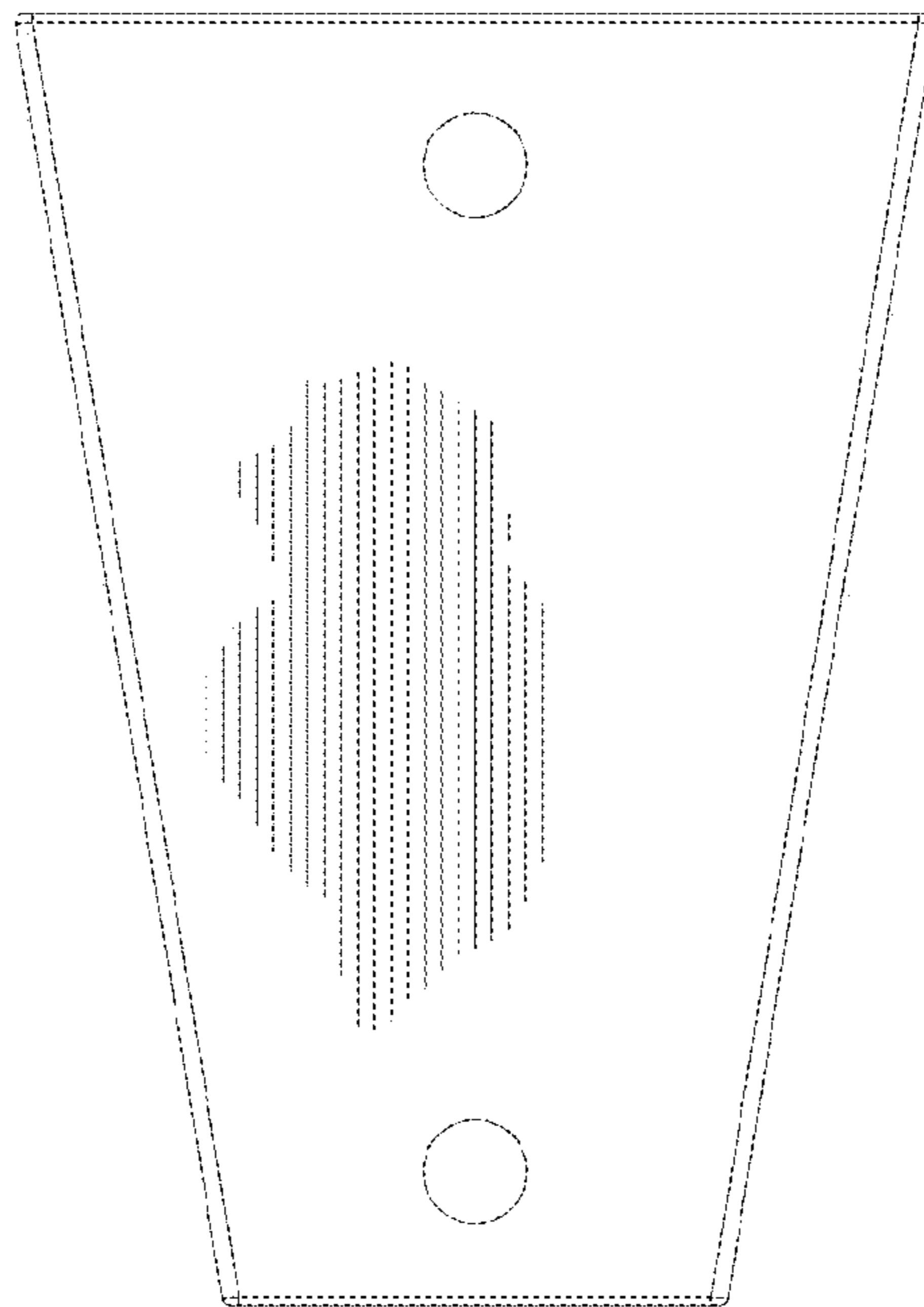


FIG 4

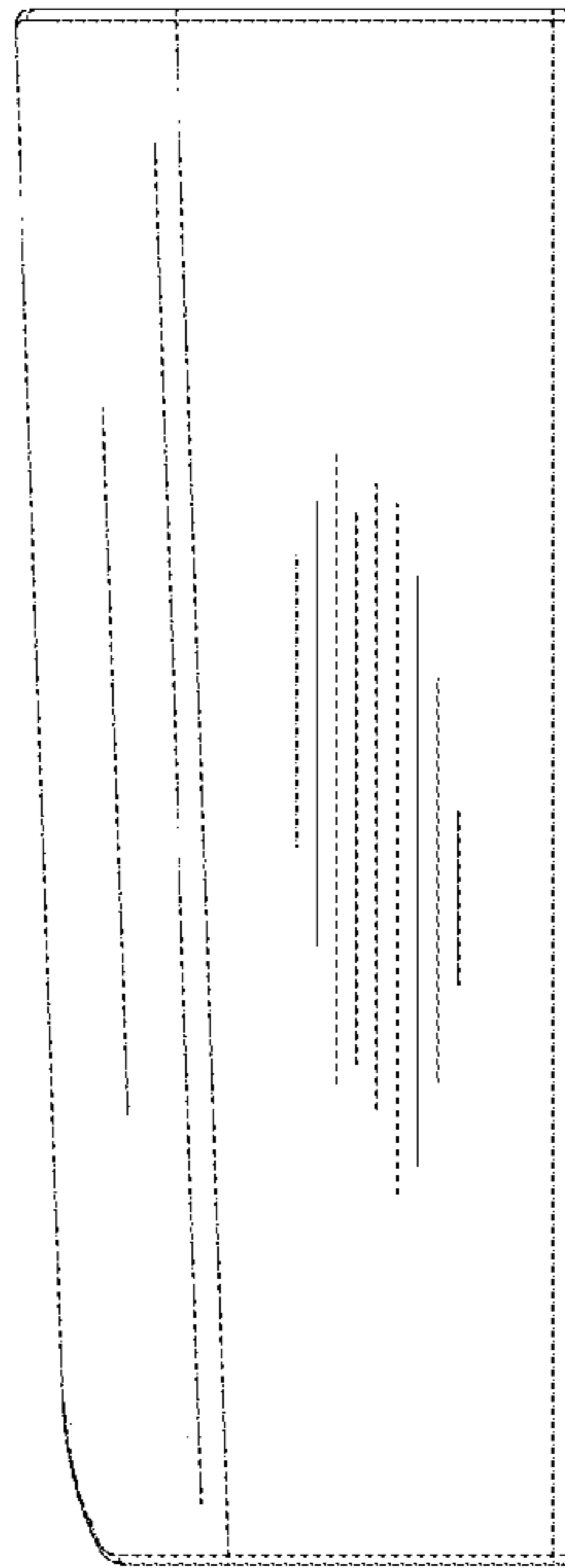


FIG 5

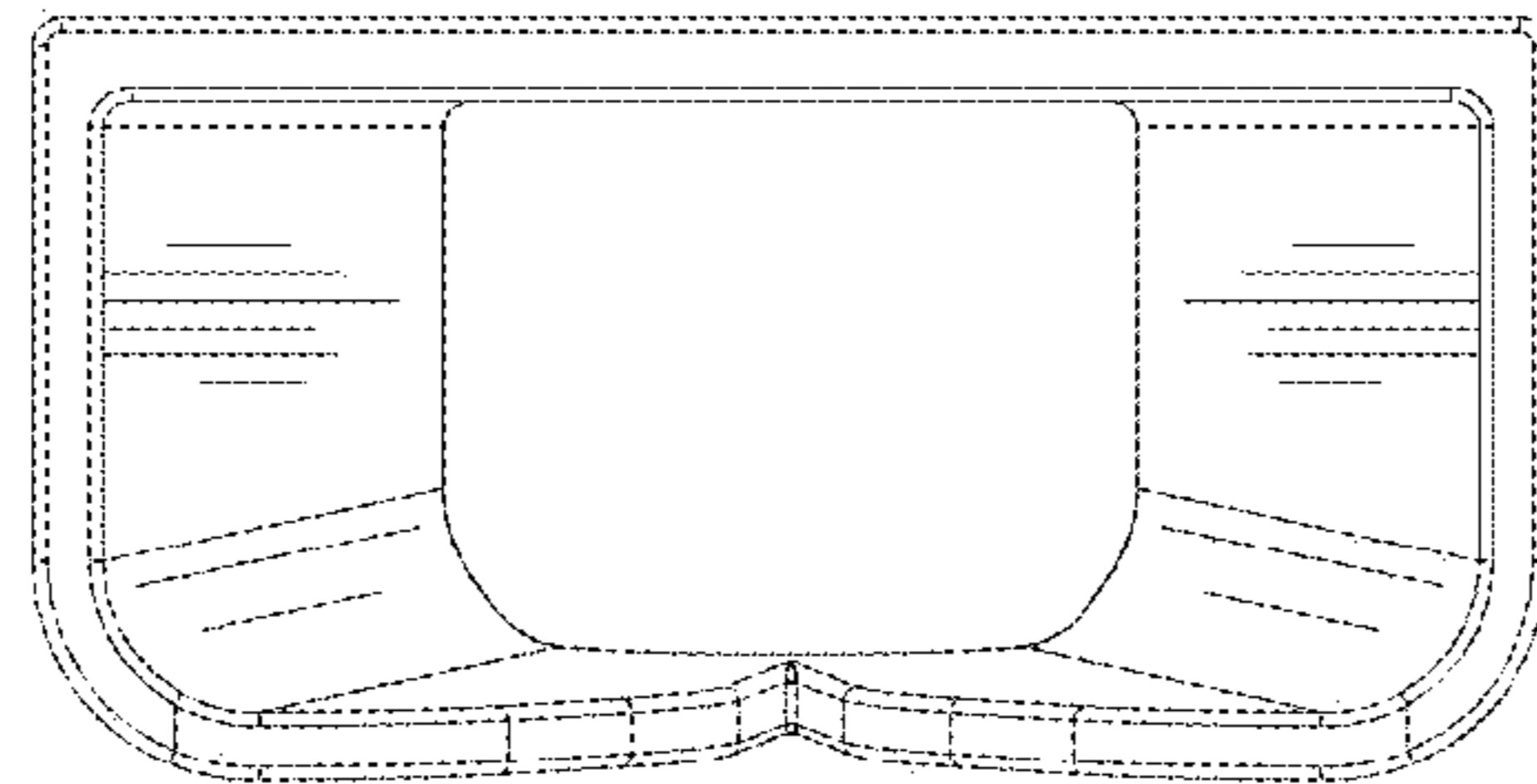


FIG 6

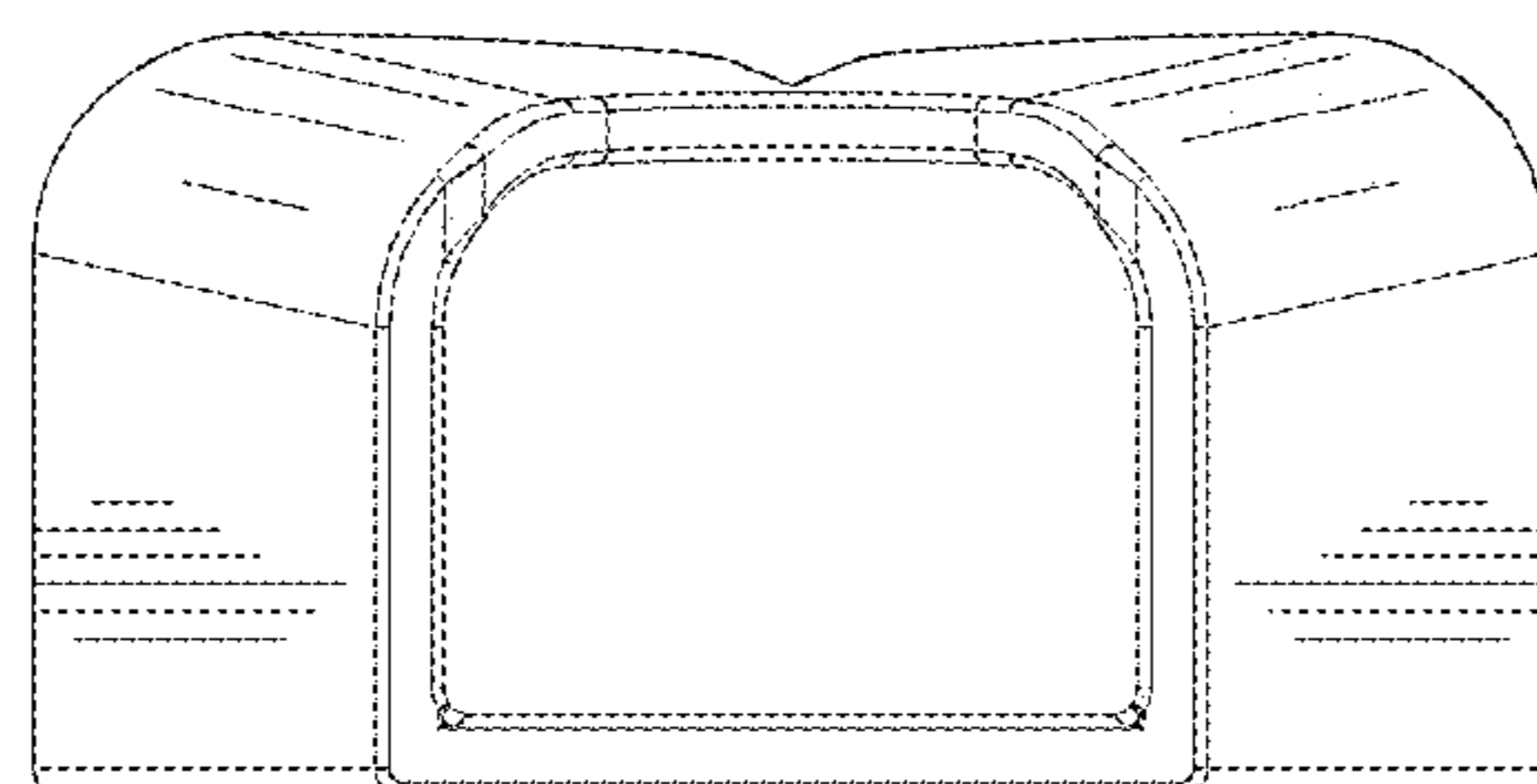


FIG 7