



US00D708807S

(12) **United States Design Patent**  
**Ye**

(10) **Patent No.:** **US D708,807 S**  
(45) **Date of Patent:** **\*\* Jul. 8, 2014**

- (54) **IRON**
- (71) Applicant: **Hamilton Beach Brands, Inc.**, Glen Allen, VA (US)
- (72) Inventor: **Guoyao Ye**, Glen Allen, VA (US)
- (73) Assignee: **Hamilton Beach Brands, Inc.**, Glen Allen, VA (US)
- (\*\*) Term: **14 Years**
- (21) Appl. No.: **29/484,825**
- (22) Filed: **Mar. 13, 2014**
- (51) **LOC (10) Cl.** ..... **07-05**
- (52) **U.S. Cl.**  
USPC ..... **D32/69**
- (58) **Field of Classification Search**  
USPC ..... D32/73, 72, 71, 70, 69, 68, 35;  
392/404; 38/97, 96, 93, 88, 77.9,  
38/77.83, 77.82, 77.81, 77.8, 77.7, 77.6,  
38/77.5, 77.3, 77.1; 219/251, 245  
See application file for complete search history.

- D487,832 S \* 3/2004 Morrison ..... D32/69
- D531,370 S \* 10/2006 Renault ..... D32/70
- D538,991 S \* 3/2007 Littmann ..... D32/70
- D590,562 S \* 4/2009 Garman et al. .... D32/69
- D594,617 S \* 6/2009 Yeung ..... D32/69
- D595,019 S \* 6/2009 Poon ..... D32/69
- D610,763 S \* 2/2010 Massip et al. .... D32/69
- D623,816 S \* 9/2010 Pardo et al. .... D32/70

\* cited by examiner

*Primary Examiner* — Austin Murphy

(74) *Attorney, Agent, or Firm* — Alexander D. Raring

(57) **CLAIM**

The ornamental design for an iron, as shown and described.

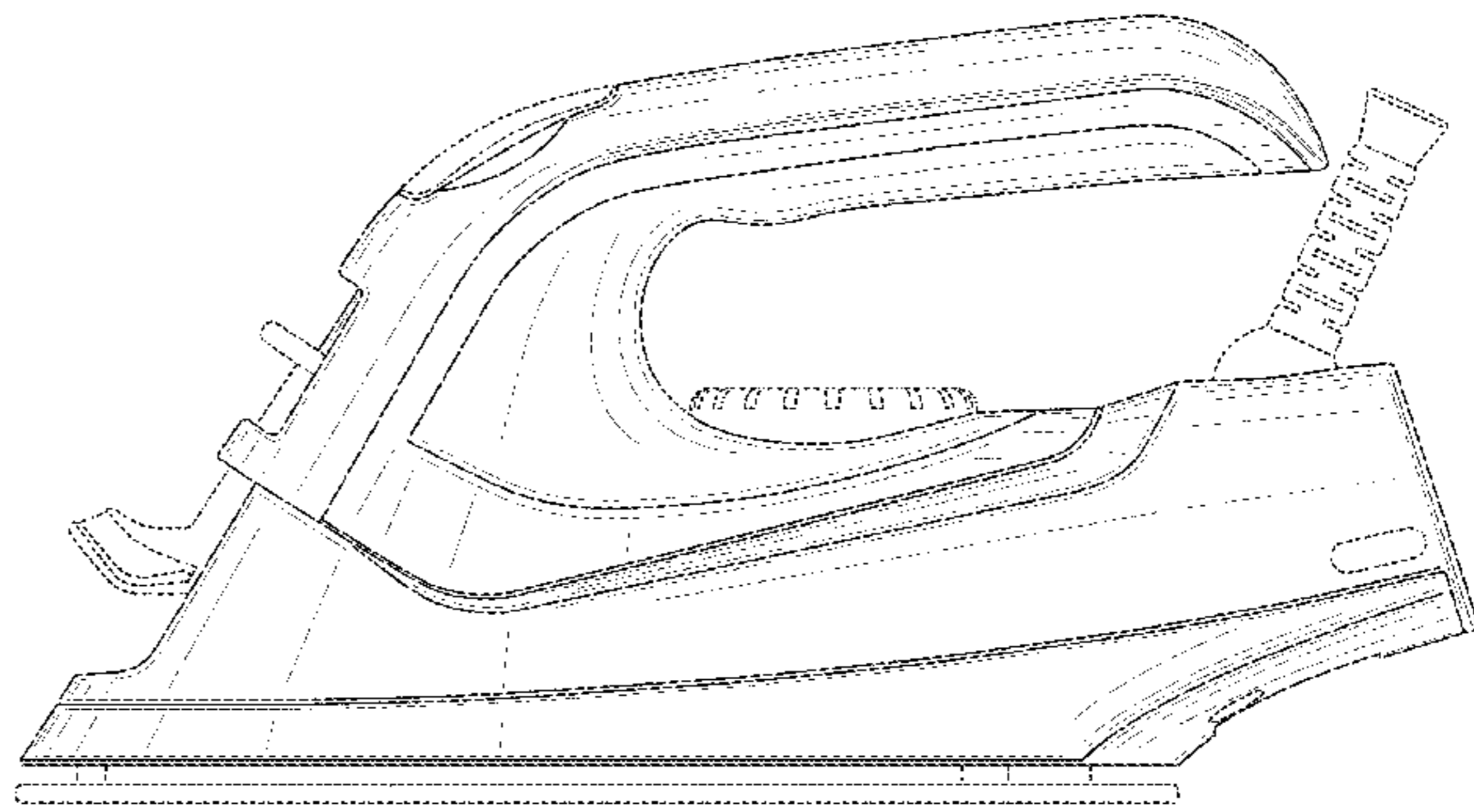
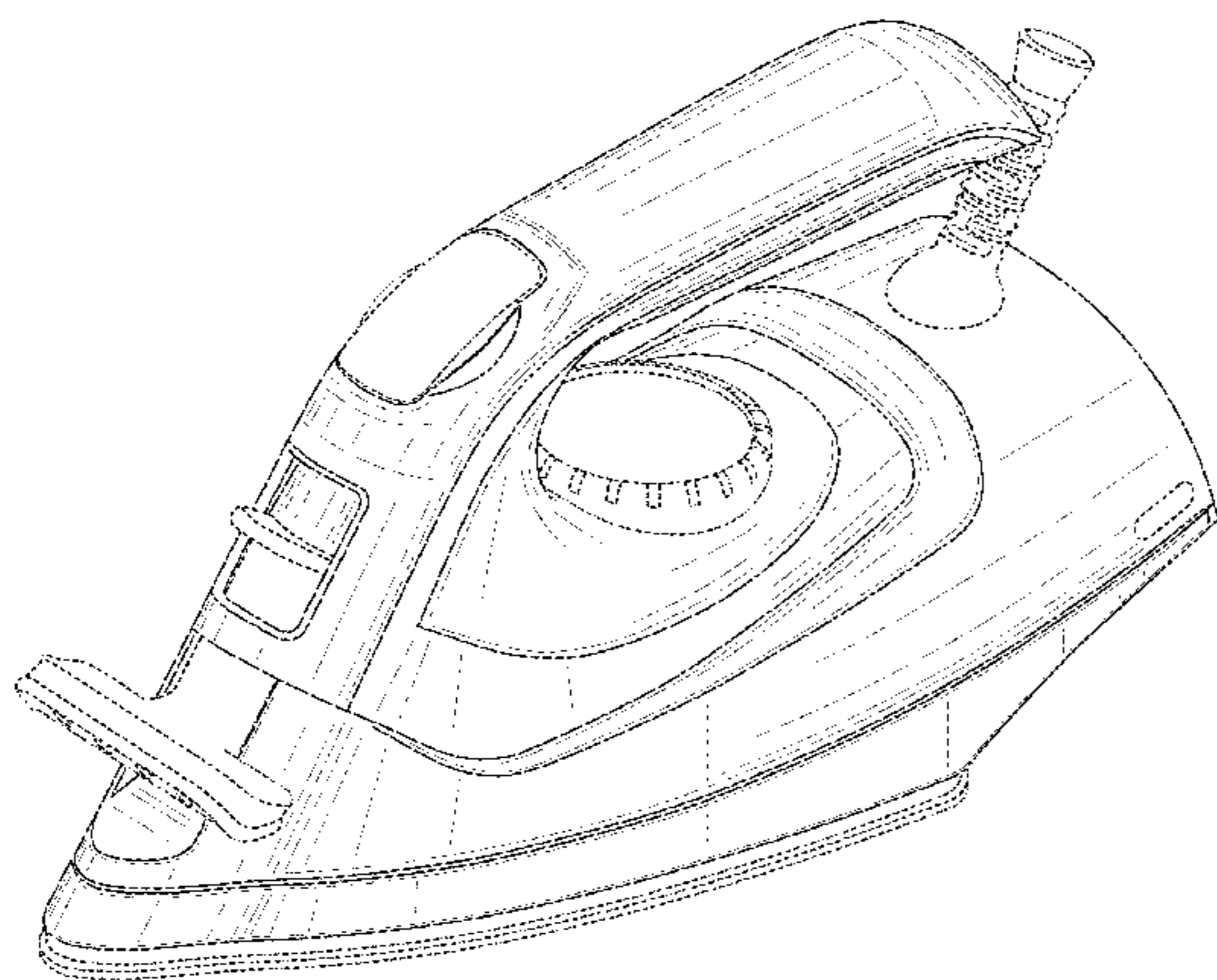
**DESCRIPTION**

FIG. 1 is a perspective view as seen from the top, front and right side of an iron showing the new design;  
 FIG. 2 is a perspective view as seen from the bottom, front and left side of an iron showing the new design;  
 FIG. 3 is a front view thereof;  
 FIG. 4 is a rear view thereof;  
 FIG. 5 is a right side view thereof;  
 FIG. 6 is a left side view thereof;  
 FIG. 7 is a top view thereof; and,  
 FIG. 8 is a bottom view thereof.

The broken lines in the drawings are included for illustrative purposes only and form no part of the claimed design.

**1 Claim, 8 Drawing Sheets**

- (56) **References Cited**  
U.S. PATENT DOCUMENTS  
D371,878 S \* 7/1996 Muller ..... D32/69  
D415,865 S \* 10/1999 Littmann et al. .... D32/70  
D466,260 S \* 11/2002 Wu ..... D32/69  
D480,524 S \* 10/2003 Wendt ..... D32/69



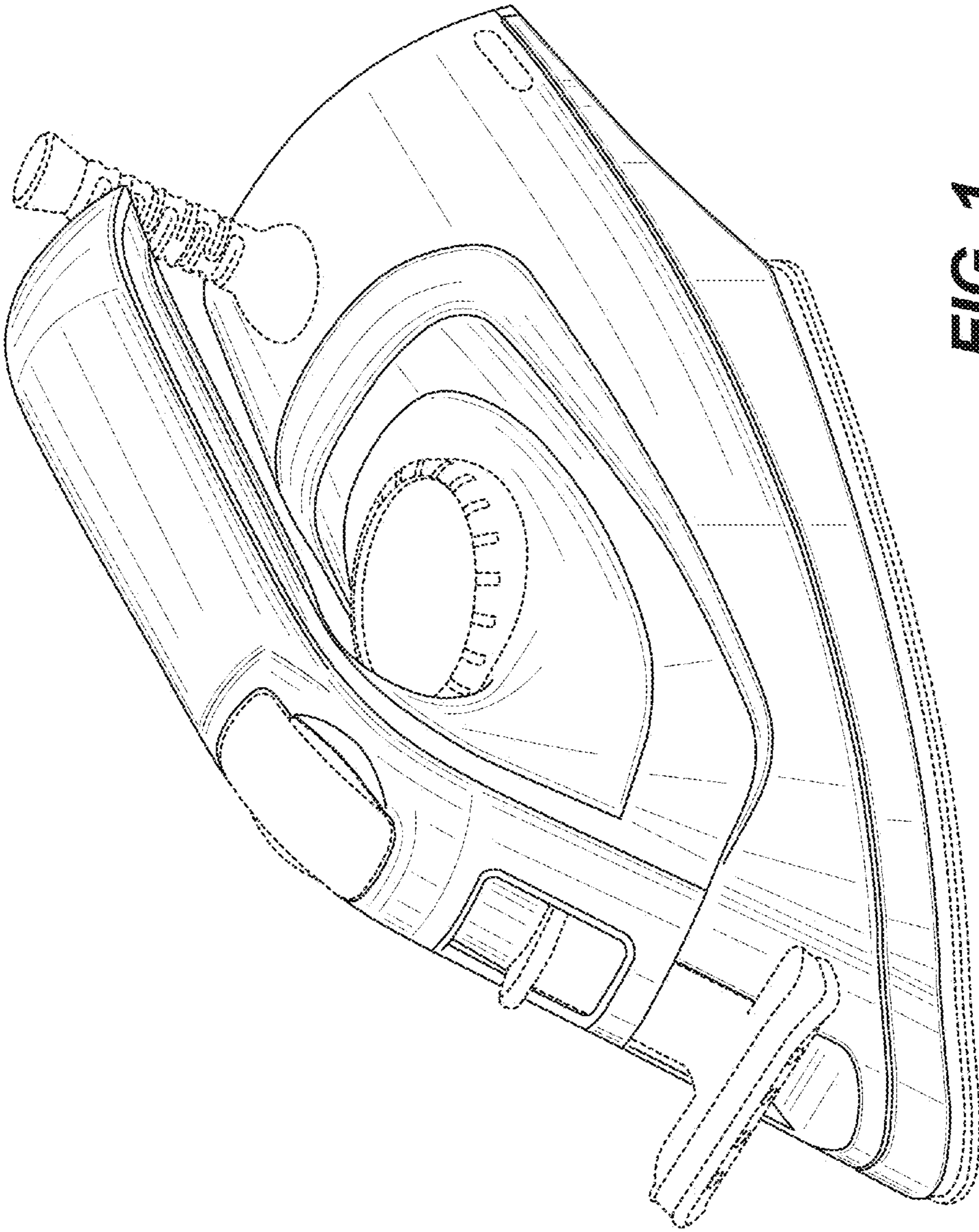


FIG. 1

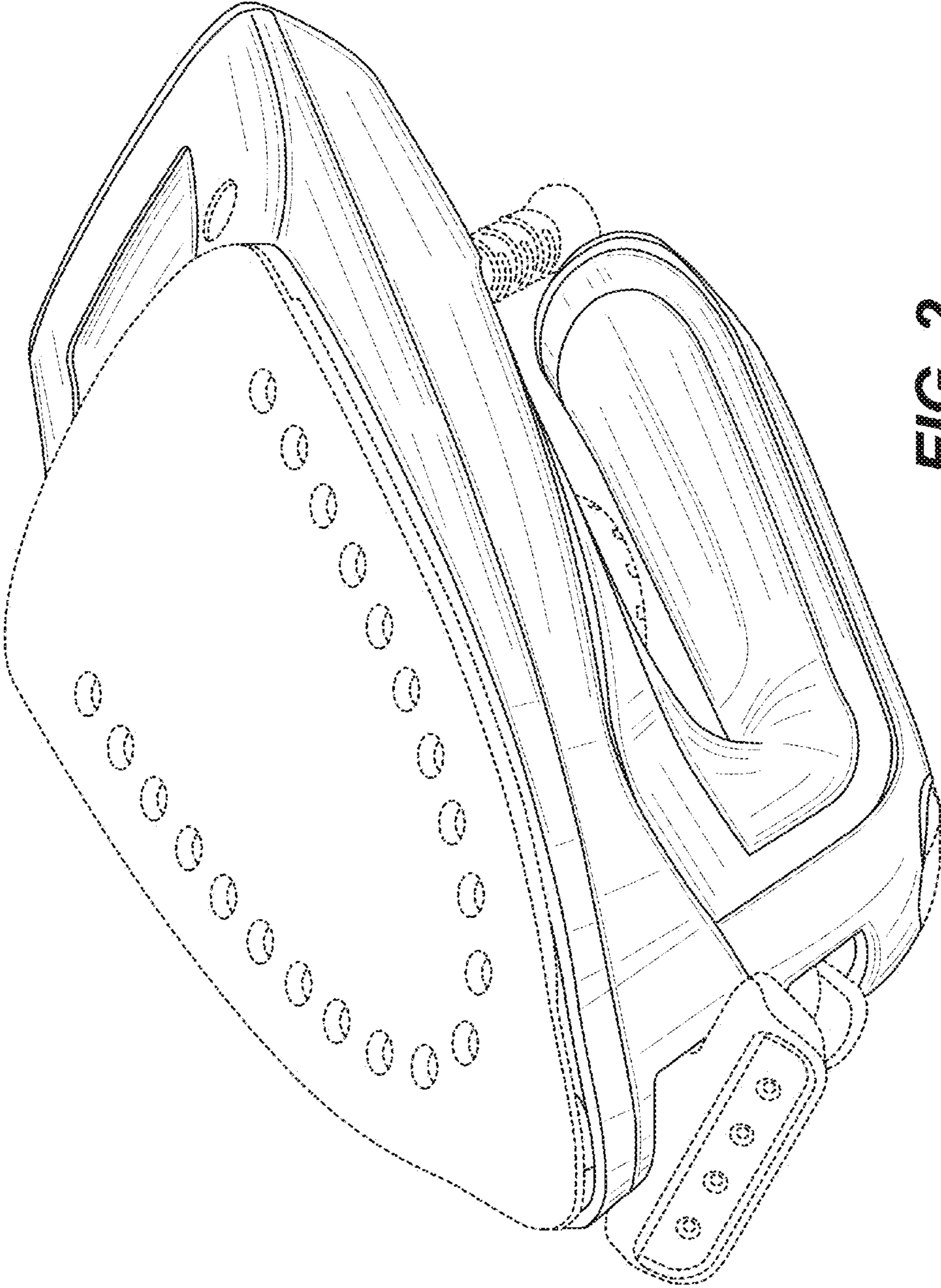
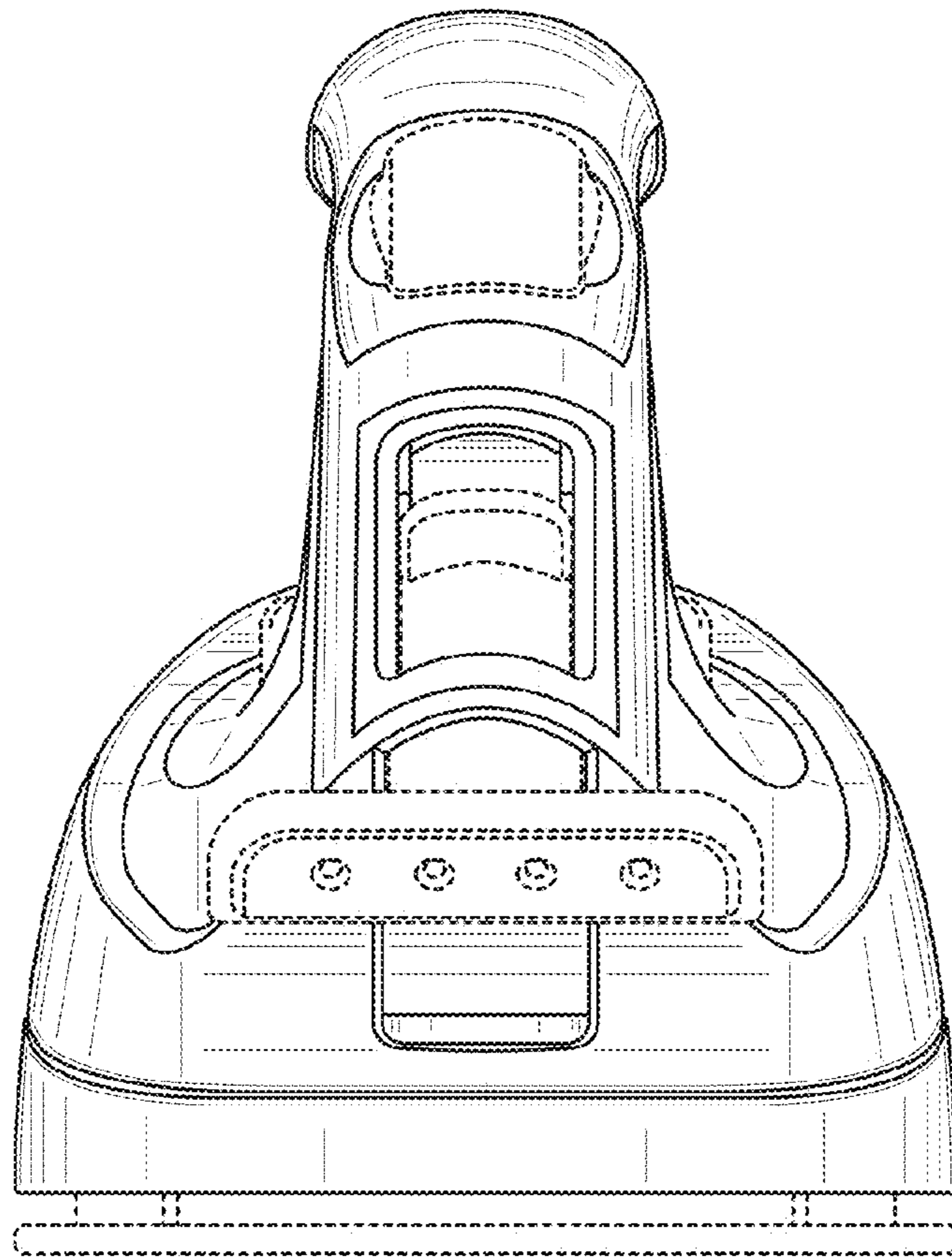
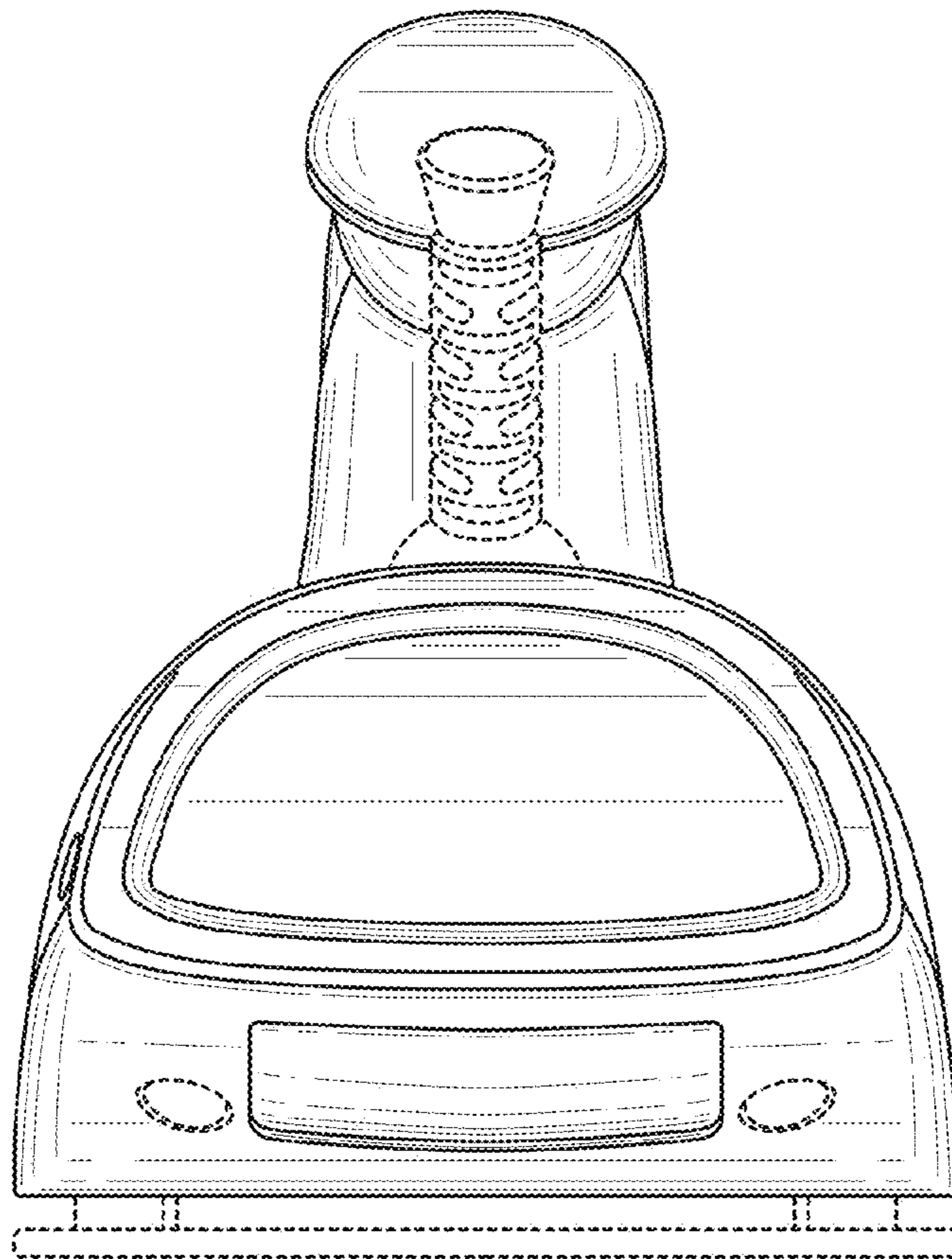


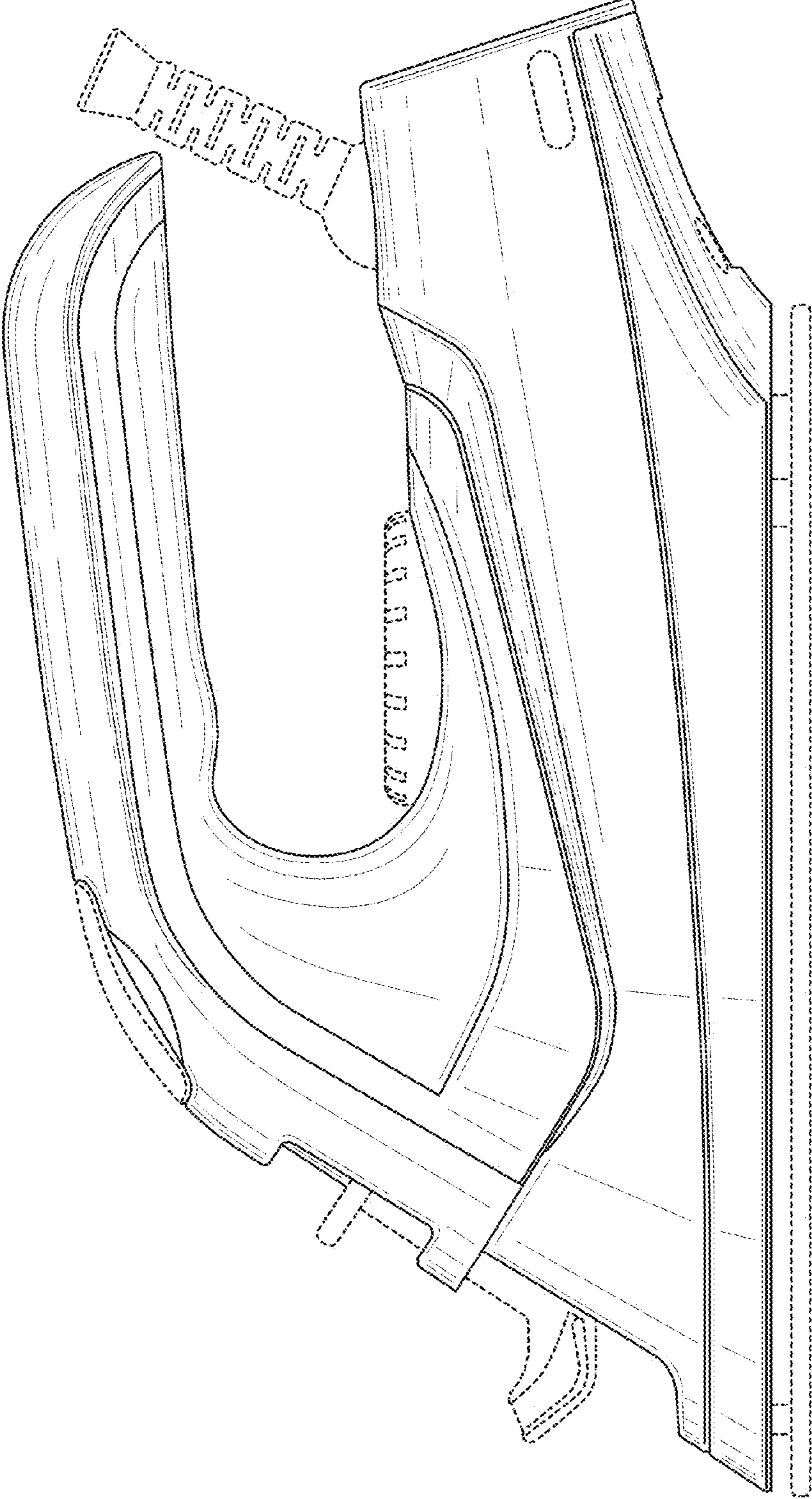
FIG. 2



**FIG. 3**



**FIG. 4**



**FIG. 5**

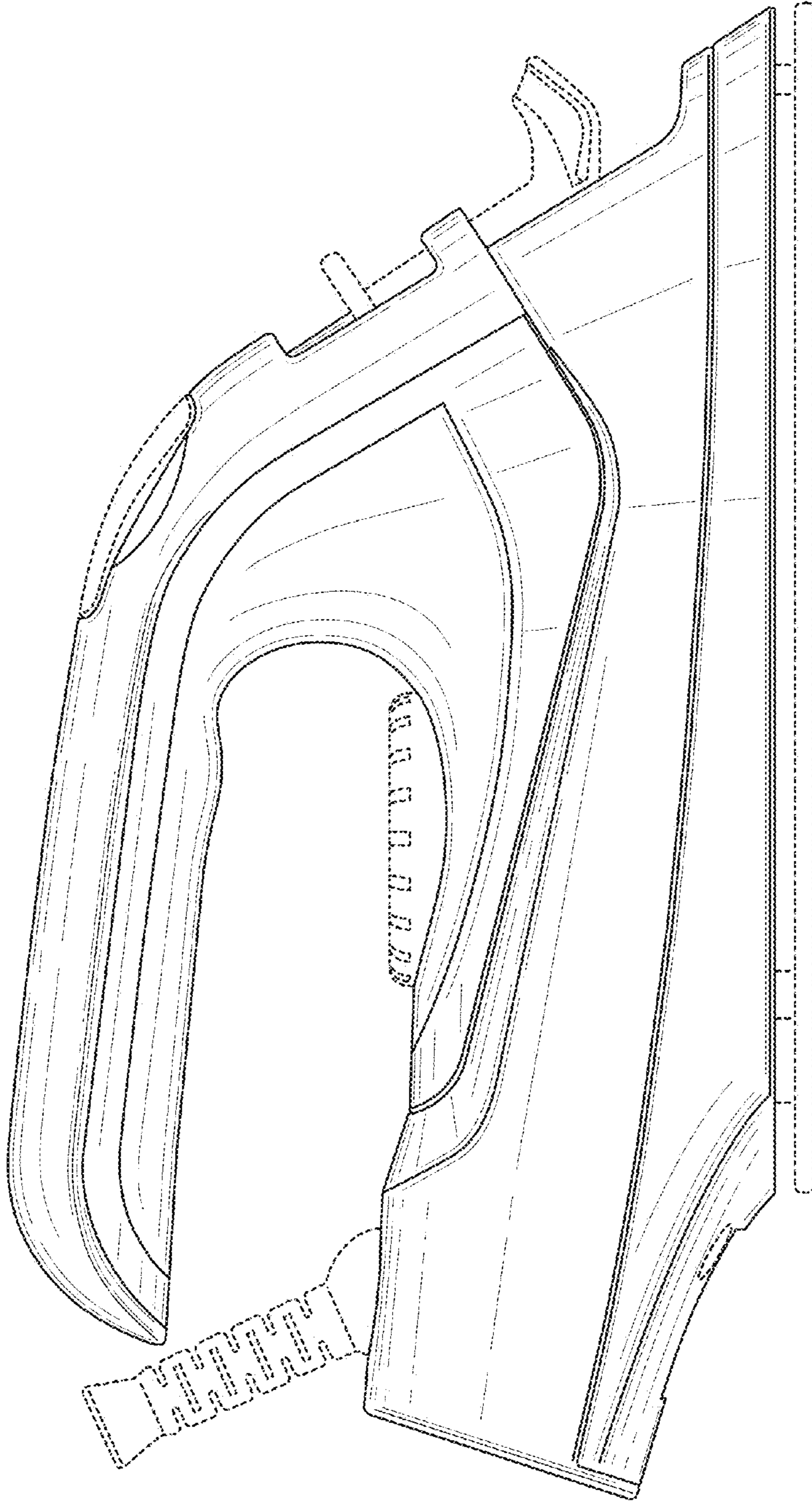
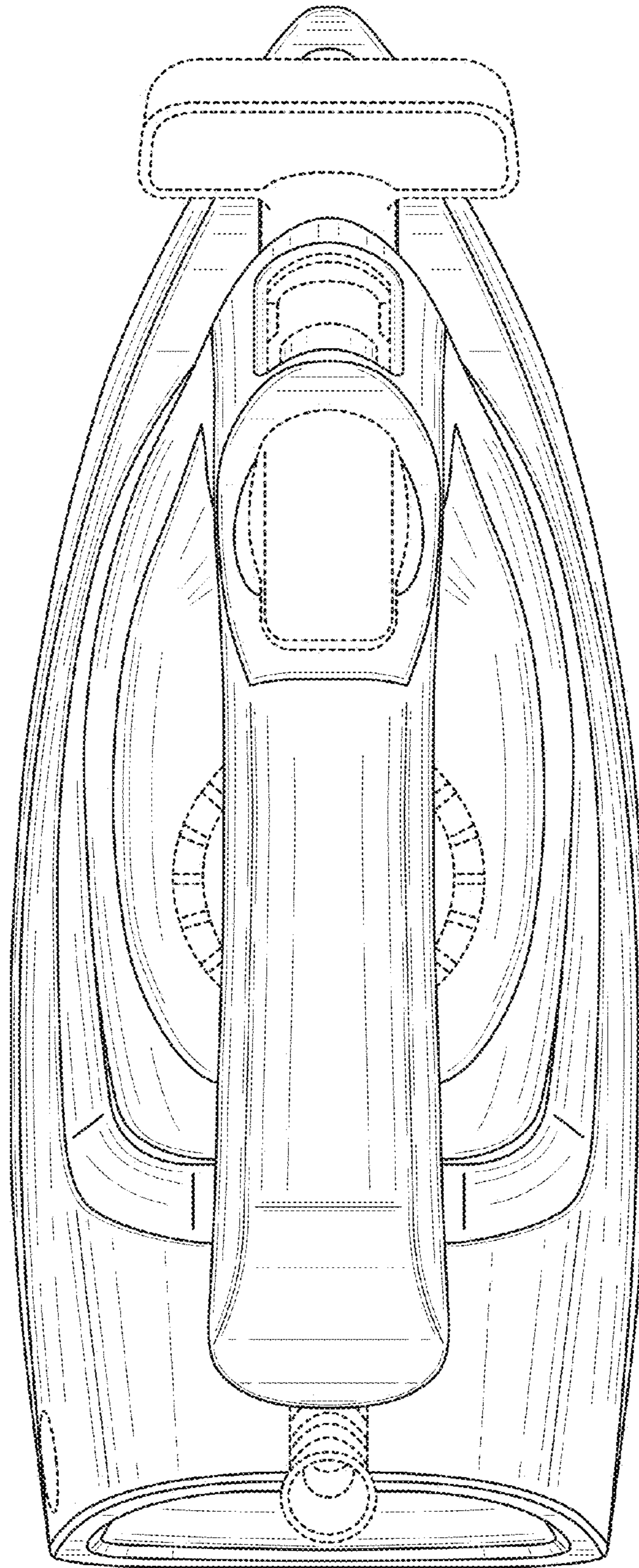
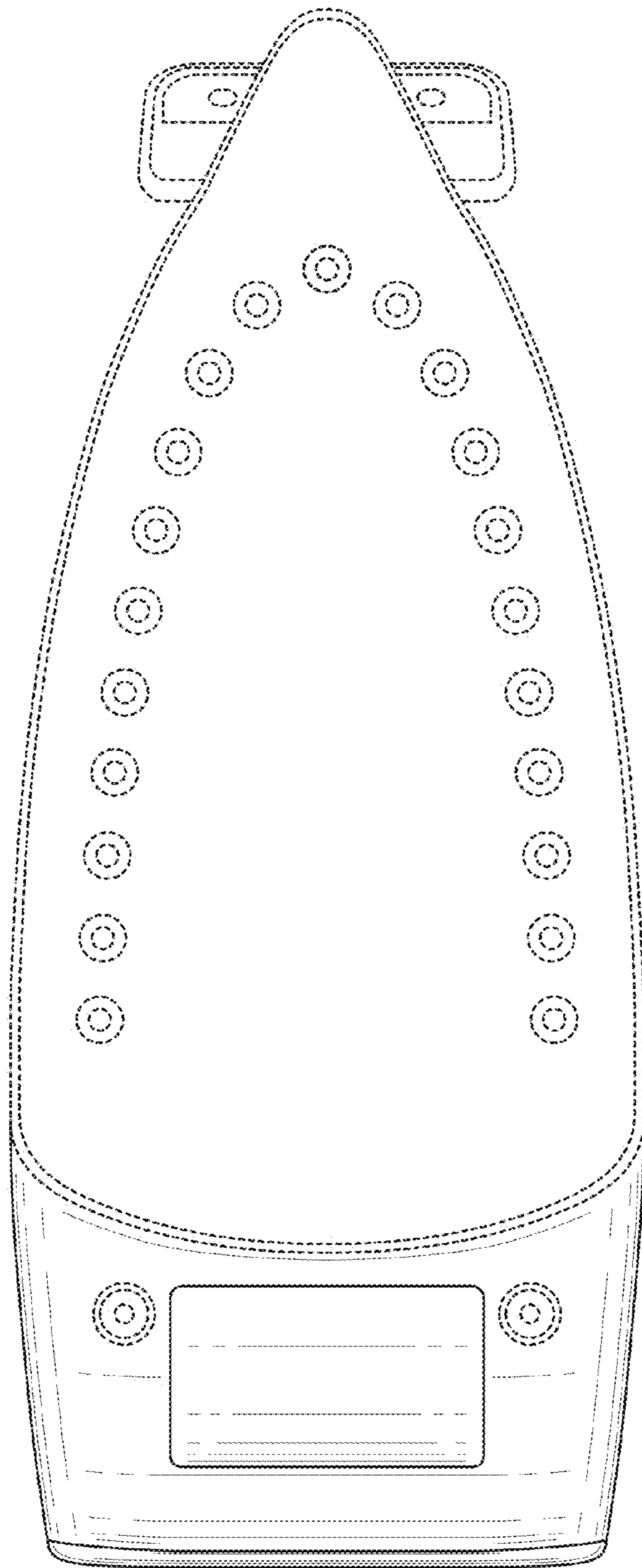


FIG. 6



**FIG. 7**





**FIG. 8**