



US00D708802S

(12) **United States Design Patent**
Ashbee et al.

(10) **Patent No.:** **US D708,802 S**
(45) **Date of Patent:** **** Jul. 8, 2014**

- (54) **PART OF A VACUUM CLEANER**
- (71) Applicant: **Dyson Technology Limited**, Wiltshire (GB)
- (72) Inventors: **Giles Ashbee**, Malmesbury (GB); **Adam James Bates**, Malmesbury (GB); **James Dyson**, Malmesbury (GB); **Peter David Gammack**, Malmesbury (GB)
- (73) Assignee: **Dyson Technology Limited**, Malmesbury, Wiltshire (GB)

(**) Term: **14 Years**

(21) Appl. No.: **29/464,488**

(22) Filed: **Aug. 16, 2013**

(30) **Foreign Application Priority Data**

Feb. 18, 2013 (EM) 001361158-0003

(51) **LOC (10) Cl.** **15-05**

(52) **U.S. Cl.**
USPC **D32/31**

(58) **Field of Classification Search**
USPC D32/21, 23, 24, 30, 31; 55/378, 337, 55/447, 345, DIG. 3, 349, 429, 459.1, 395; 15/327.1, 327.2, 327.4, 327.6, 327.7, 15/347, 353, 337, 411
See application file for complete search history.

(56) **References Cited**

U.S. PATENT DOCUMENTS

3,776,127 A	12/1973	Muse	
D244,249 S	5/1977	Boswell et al.	
4,094,295 A	6/1978	Boswell et al.	
5,473,979 A	12/1995	Ruben	
D374,371 S	10/1996	Hall McDonald	
D445,226 S *	7/2001	Jupp	D32/21
D463,948 S	10/2002	Innes	

D471,683 S *	3/2003	Dyson et al.	D32/30
D481,903 S	11/2003	Hester	
D484,286 S *	12/2003	Dyson et al.	D32/24
D486,348 S	2/2004	Zhu	
D505,761 S	5/2005	Gammack et al.	
D518,611 S *	4/2006	Hare	D32/21
D524,091 S	7/2006	Lai	
D550,022 S	9/2007	Amajuwon et al.	
D555,849 S *	11/2007	Choi et al.	D32/21
D556,962 S *	12/2007	Choi et al.	D32/21
D557,469 S *	12/2007	Choi et al.	D32/21
D557,470 S *	12/2007	Choi et al.	D32/21
D563,066 S	2/2008	Shevlin	
D566,914 S *	4/2008	Dyson et al.	D32/31

(Continued)

OTHER PUBLICATIONS

Dyson et al., U.S. Office Action mailed Nov. 21, 2011, directed to U.S. Appl. No. 29/388,228; 6 pages.

(Continued)

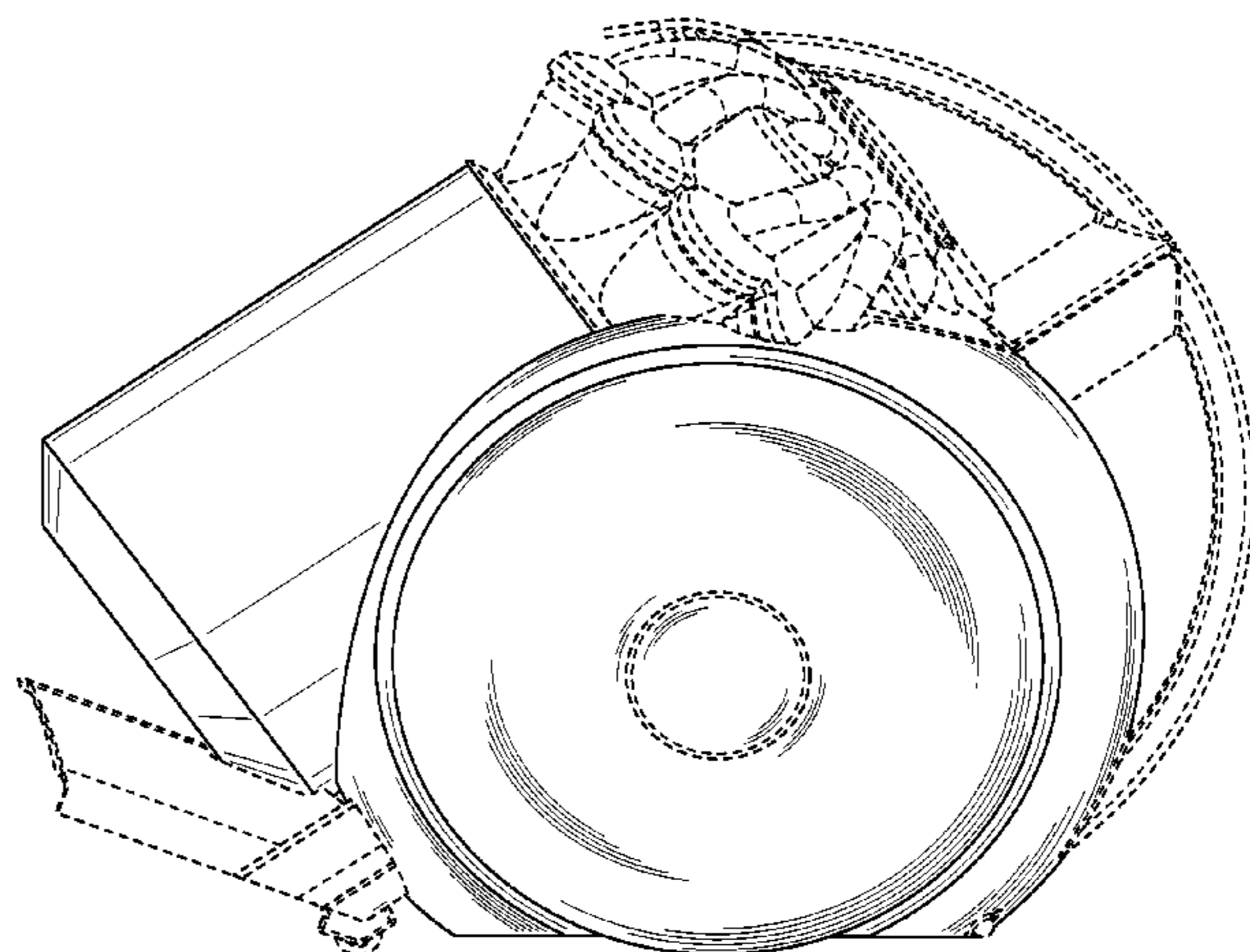
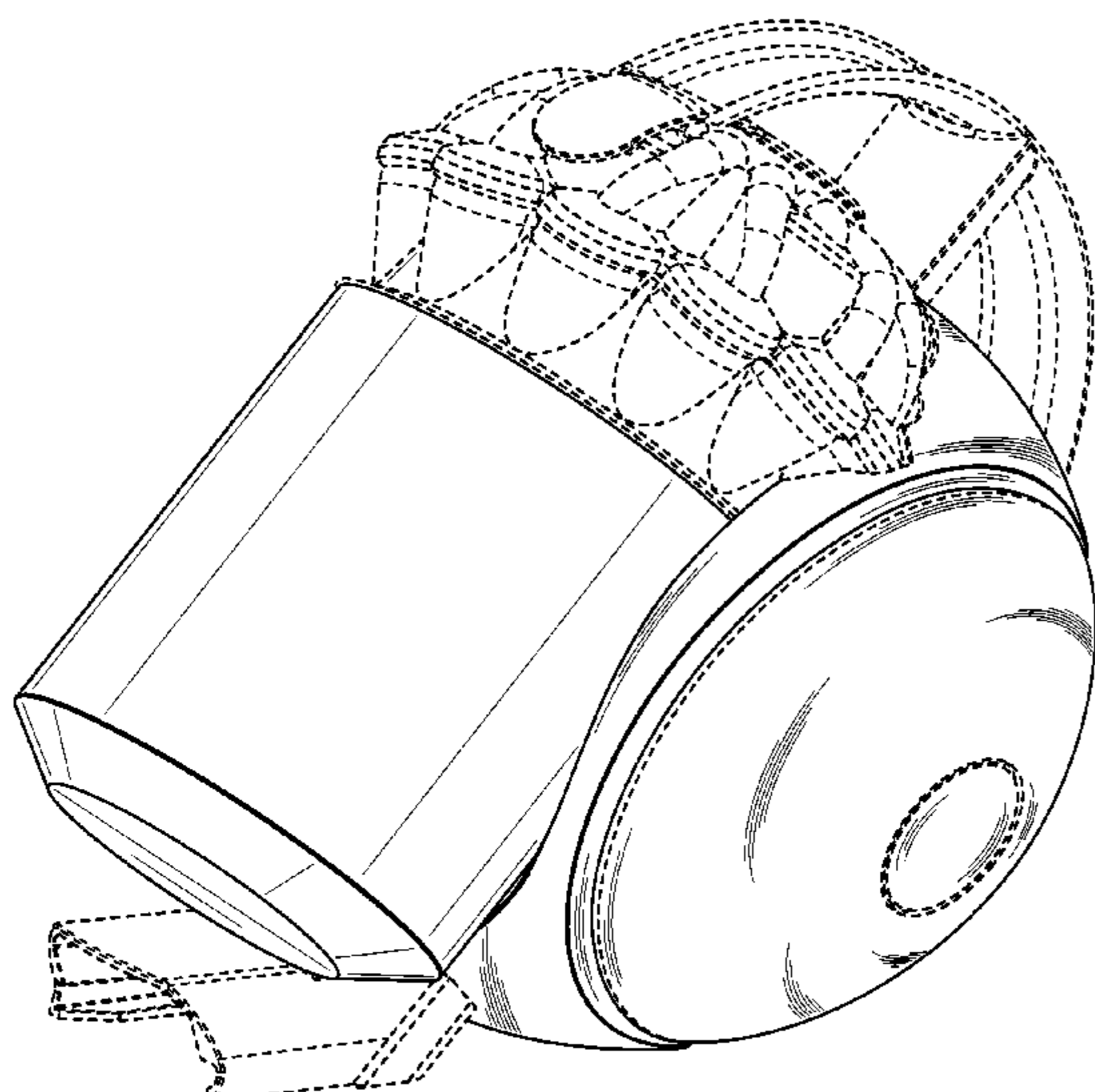
Primary Examiner — Ruth McInroy
(74) *Attorney, Agent, or Firm* — Morrison & Foerster LLP

(57) **CLAIM**
We claim the ornamental design for a part of a vacuum cleaner, as shown and described.

DESCRIPTION

FIG. 1 is a perspective view of a part of a vacuum cleaner showing our new design;
FIG. 2 is a side view thereof;
FIG. 3 is a side view of the opposite side of FIG. 2;
FIG. 4 is a top view thereof;
FIG. 5 is a bottom view thereof;
FIG. 6 is a front view thereof; and,
FIG. 7 is a rear view thereof.
The details shown in broken lines form no part of the claimed design.

1 Claim, 7 Drawing Sheets



(56)

References Cited

U.S. PATENT DOCUMENTS

D574,177 S 8/2008 Hulsey
 7,425,225 B2* 9/2008 Genn et al. 55/418
 D583,117 S 12/2008 Peace et al.
 D587,415 S * 2/2009 Dyson et al. D32/31
 D588,762 S 3/2009 Dyson et al.
 D594,162 S * 6/2009 Knox et al. D32/21
 D594,608 S * 6/2009 Dyson et al. D32/21
 D594,609 S * 6/2009 Dyson et al. D32/21
 D609,416 S * 2/2010 Hill et al. D32/31
 7,721,385 B2* 5/2010 Genn et al. 15/347
 7,861,705 B2 1/2011 Hulsey
 7,867,307 B2* 1/2011 Bates et al. 55/343
 7,874,040 B2* 1/2011 Follows et al. 15/347
 D632,037 S 2/2011 Carr et al.
 7,930,799 B2 4/2011 Sutton et al.
 D642,416 S 8/2011 Scott et al.
 D657,508 S * 4/2012 Dyson et al. D32/21
 D657,511 S * 4/2012 Dyson et al. D32/31
 D670,052 S * 10/2012 Dos Reis D32/31
 D670,053 S * 10/2012 Dyson et al. D32/31
 D670,054 S * 10/2012 Dyson et al. D32/31
 D673,743 S * 1/2013 Dyson et al. D32/31
 D676,206 S * 2/2013 Dyson et al. D32/31
 D677,027 S * 2/2013 Dyson et al. D32/31
 D677,028 S 2/2013 Dyson et al.
 D677,442 S * 3/2013 Dyson et al. D32/31
 D677,845 S * 3/2013 Dyson et al. D32/31
 D677,846 S * 3/2013 Dyson et al. D32/31
 8,429,791 B2* 4/2013 White 15/411
 8,474,091 B2* 7/2013 Dyson et al. 15/327.2
 2005/0121018 A1 6/2005 Rosen
 2006/0213023 A1* 9/2006 Hare et al. 15/327.2
 2007/0294856 A1* 12/2007 Park 15/347
 2009/0113663 A1* 5/2009 Follows et al. 15/347
 2009/0308373 A1 12/2009 Scott et al.
 2010/0218338 A1* 9/2010 McLeod 15/347
 2010/0242208 A1* 9/2010 Gammack et al. 15/327.1

2010/0242219 A1 9/2010 Dyson et al.
 2010/0242220 A1 9/2010 Dyson et al.
 2010/0242221 A1 9/2010 Horne et al.
 2012/0272474 A1* 11/2012 Follows et al. 15/347
 2012/0284952 A1* 11/2012 Horne 15/347
 2012/0284954 A1* 11/2012 Horne 15/347
 2012/0284960 A1* 11/2012 Sutton et al. 15/353
 2013/0160233 A1* 6/2013 Peace et al. 15/353

OTHER PUBLICATIONS

Dyson et al., U.S. Office Action mailed May 3, 2012, directed to U.S. Appl. No. 29/388,228; 5 pages.
 Dyson et al., U.S. Office Action mailed Nov. 22, 2011, directed to U.S. Appl. No. 29/388,247; 6 pages.
 Dyson et al., U.S. Office Action mailed May 2, 2012, directed to U.S. Appl. No. 29/388,247; 5 pages.
 Dyson et al., U.S. Office Action mailed Nov. 21, 2011, directed to U.S. Appl. No. 29/388,229; 6 pages.
 Dyson et al., U.S. Office Action mailed May 2, 2012, directed to U.S. Appl. No. 29/388,229; 5 pages.
 Dyson et al., U.S. Office Action mailed Nov. 23, 2011, directed to U.S. Appl. No. 29/388,341; 6 pages.
 Dyson et al., U.S. Office Action mailed May 2, 2012, directed to U.S. Appl. No. 29/388,341; 6 pages.
 Dyson et al., U.S. Office Action mailed Nov. 23, 2011, directed to U.S. Appl. No. 29/388,226; 6 pages.
 Dyson et al., U.S. Office Action mailed May 1, 2012, directed to U.S. Appl. No. 29/388,226; 6 pages.
 Dyson et al., U.S. Office Action mailed Nov. 23, 2011, directed to U.S. Appl. No. 29/388,242; 8 pages.
 Dyson et al., U.S. Office Action mailed May 2, 2012, directed to U.S. Appl. No. 29/388,242; 6 pages.
 Dimbylow et al., U.S. Office Action mailed Nov. 20, 2013, directed to U.S. Appl. No. 29/464,524; 9 pages.
 Dimbylow et al., U.S. Office Action mailed Dec. 5, 2013, directed to U.S. Appl. No. 29/464,487; 9 pages.

* cited by examiner

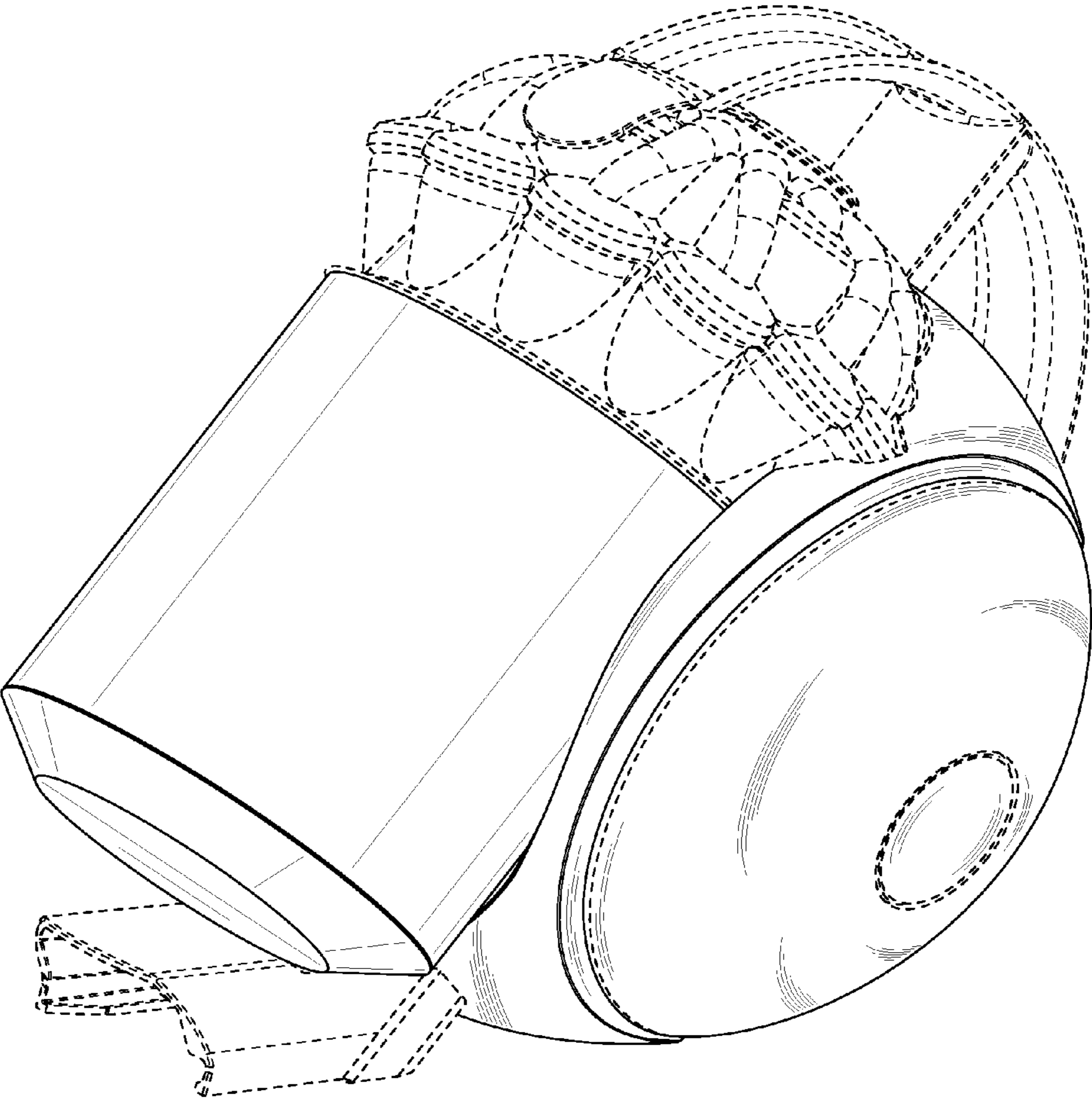


FIG. 1

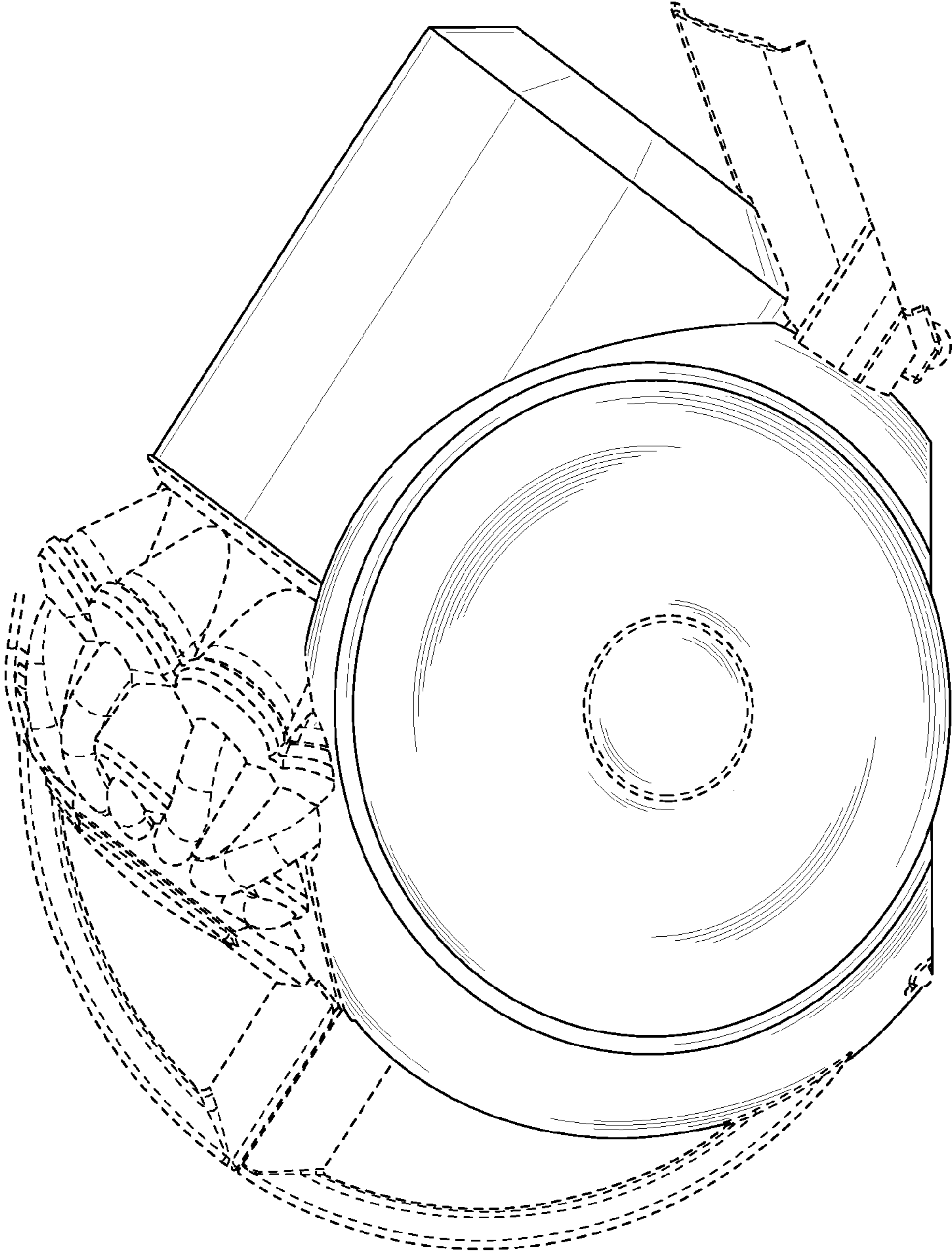


FIG. 2

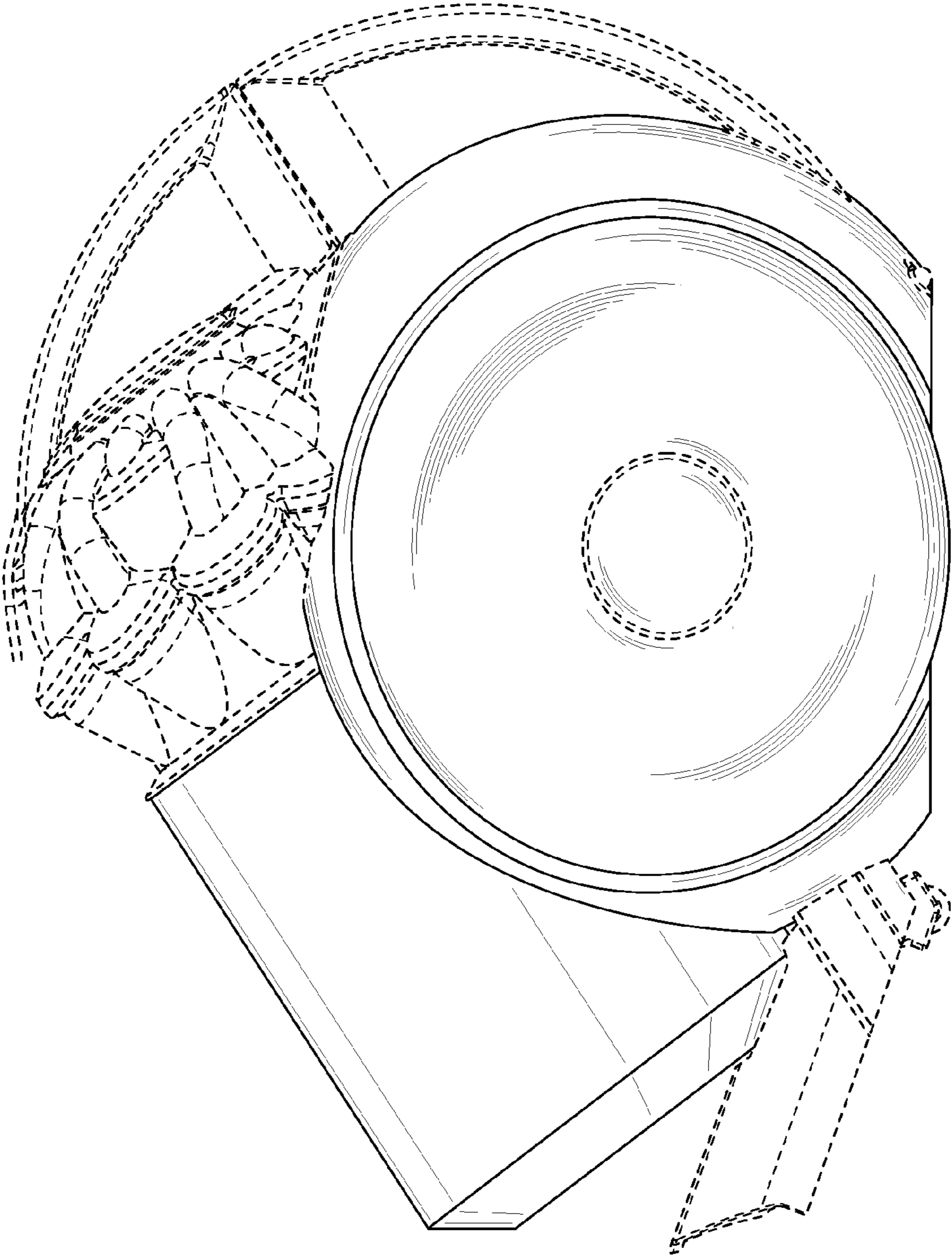


FIG. 3

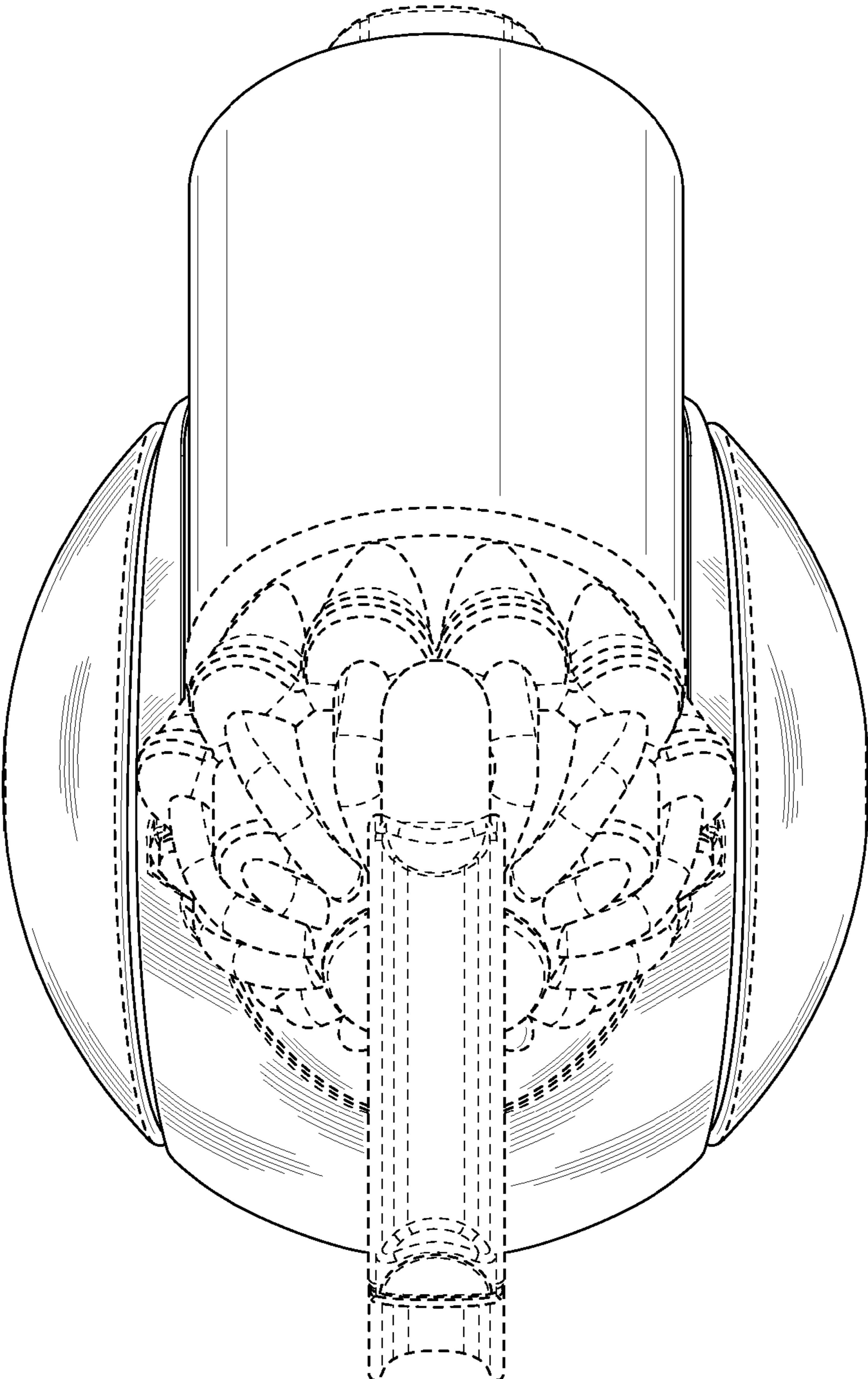


FIG. 4

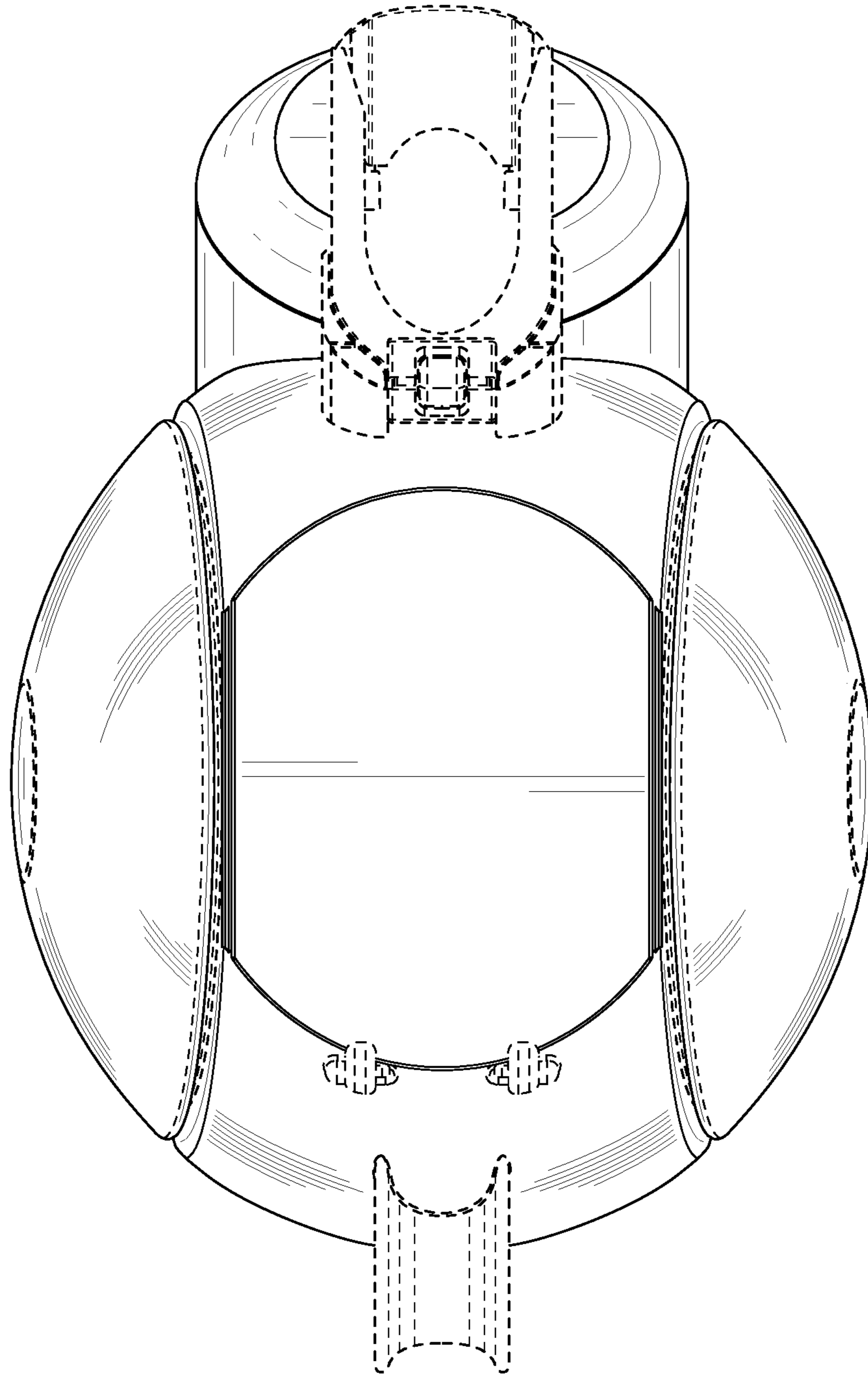


FIG. 5

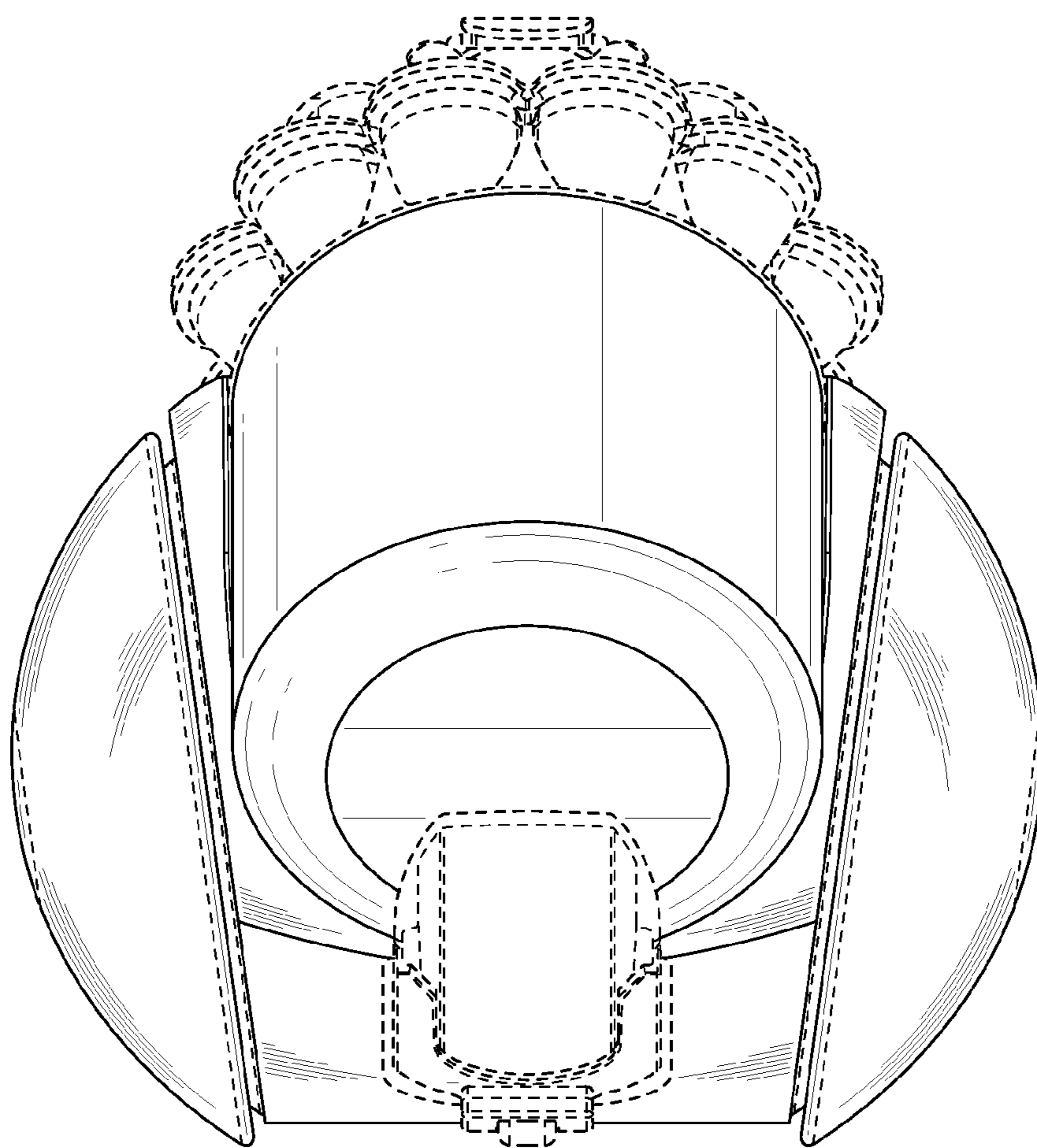


FIG. 6

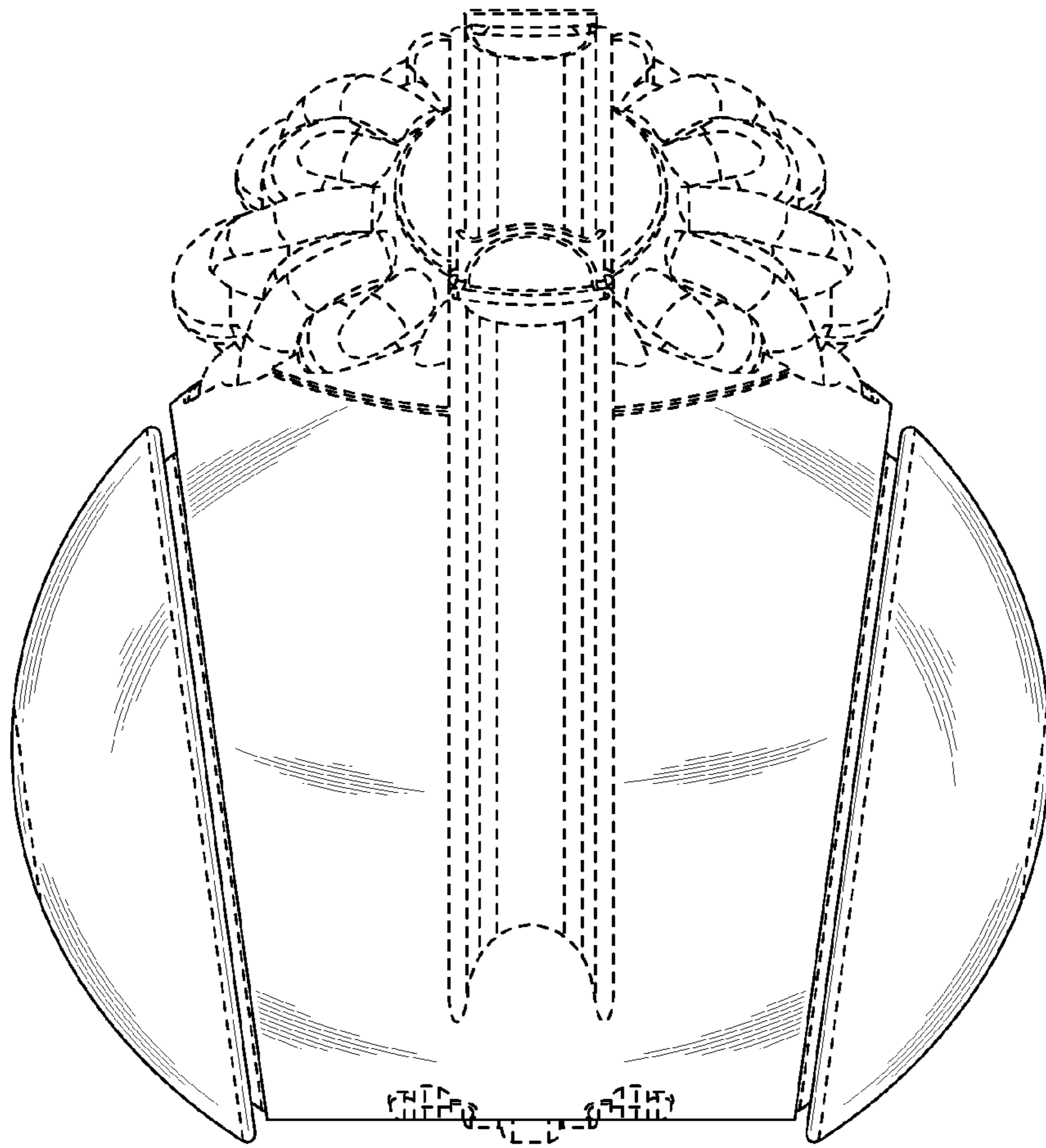


FIG. 7