



US00D708801S

(12) **United States Design Patent**
Israel

(10) **Patent No.:** **US D708,801 S**

(45) **Date of Patent:** **** Jul. 8, 2014**

(54) **HANDHELD STEAMER**

(71) Applicant: **Vornado Air, LLC**, Andover, KS (US)

(72) Inventor: **Gary P. Israel**, Andover, KS (US)

(73) Assignee: **Vornado Air, LLC**, Andover, KS (US)

(**) Term: **14 Years**

(21) Appl. No.: **29/441,256**

(22) Filed: **Jan. 3, 2013**

(51) **LOC (10) CI.** **15-05**

(52) **U.S. CI.**
USPC **D32/17**

(58) **Field of Classification Search**
USPC D32/17-21, 24, 31-33, 50; 15/320,
15/322, 327.1, 327.5-327.7, 353,
15/415.1-422, 422.1, 329, 366, 383, 384,
15/400, 340.4, 340.2, 52.2, 50.1, 50.2;
68/222, 5 R, 5 A; 392/403-406, 394,
392/386; 8/149.3; 239/136, 128; 137/241;
38/77.5-77.7, 77.9, 3, 14, 141, 77.83
See application file for complete search history.

(56) **References Cited**

U.S. PATENT DOCUMENTS

D449,138	S	*	10/2001	Dodson et al.	D32/31
D452,051	S	*	12/2001	Antonio	D32/17
D485,651	S	*	1/2004	Lin	D32/17
D563,063	S	*	2/2008	Mangano	D32/17
D592,366	S	*	5/2009	Mangano	D32/17
D620,208	S	*	7/2010	Mangano	D32/17

D620,651	S	*	7/2010	Enervold	D32/17
D623,363	S	*	9/2010	Ediger et al.	D32/17
D634,493	S	*	3/2011	Breit	D32/17
D656,693	S	*	3/2012	Lavy	D32/17
D674,564	S	*	1/2013	Mangano	D32/17
2010/0024492	A1	*	2/2010	Leung	68/222
2010/0058623	A1	*	3/2010	Fernandez	38/14
2010/0269287	A1	*	10/2010	Vrdoljak et al.	15/322
2012/0204375	A1	*	8/2012	Charlton et al.	15/320

OTHER PUBLICATIONS

U.S. Appl. No. 29/362,688, filed May 28, 2010, Ediger et al.
U.S. Appl. No. 29/438,489, filed Nov. 30, 2012, Ediger et al.

* cited by examiner

Primary Examiner — Ruth McInroy

(74) *Attorney, Agent, or Firm* — David H. Milligan

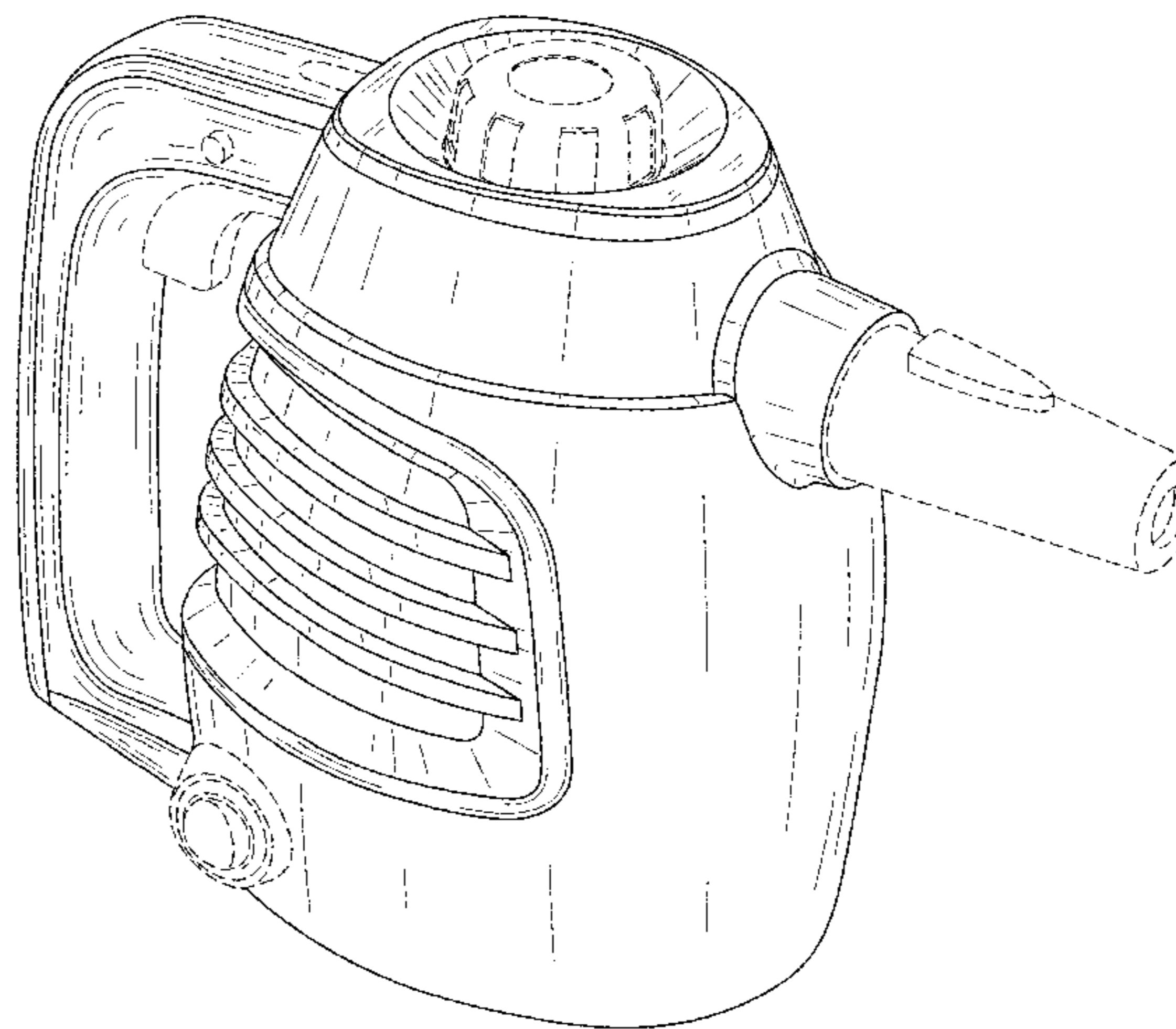
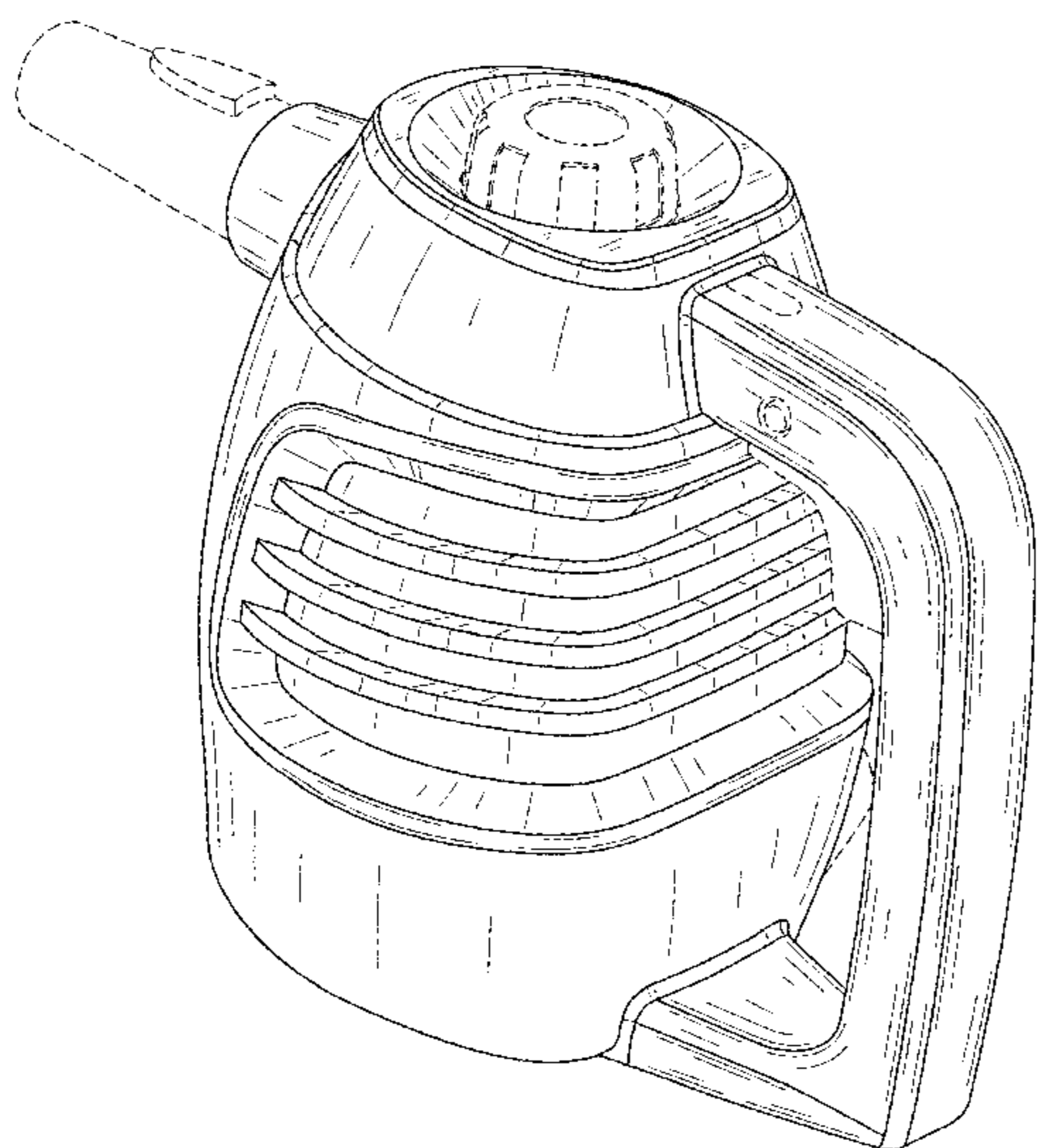
(57) **CLAIM**

The ornamental design for a handheld steamer, as shown and described.

DESCRIPTION

FIG. 1 is a left, rear and top perspective view of a handheld steamer showing my new design;
FIG. 2 is a front, right and top perspective view thereof;
FIG. 3 is a front elevation view thereof;
FIG. 4 is a rear elevation view thereof;
FIG. 5 is a left side elevation view thereof;
FIG. 6 is a right side elevation view thereof; and,
FIG. 7 is a top plan view thereof.
The details shown in broken lines form no part of the claimed design.

1 Claim, 7 Drawing Sheets



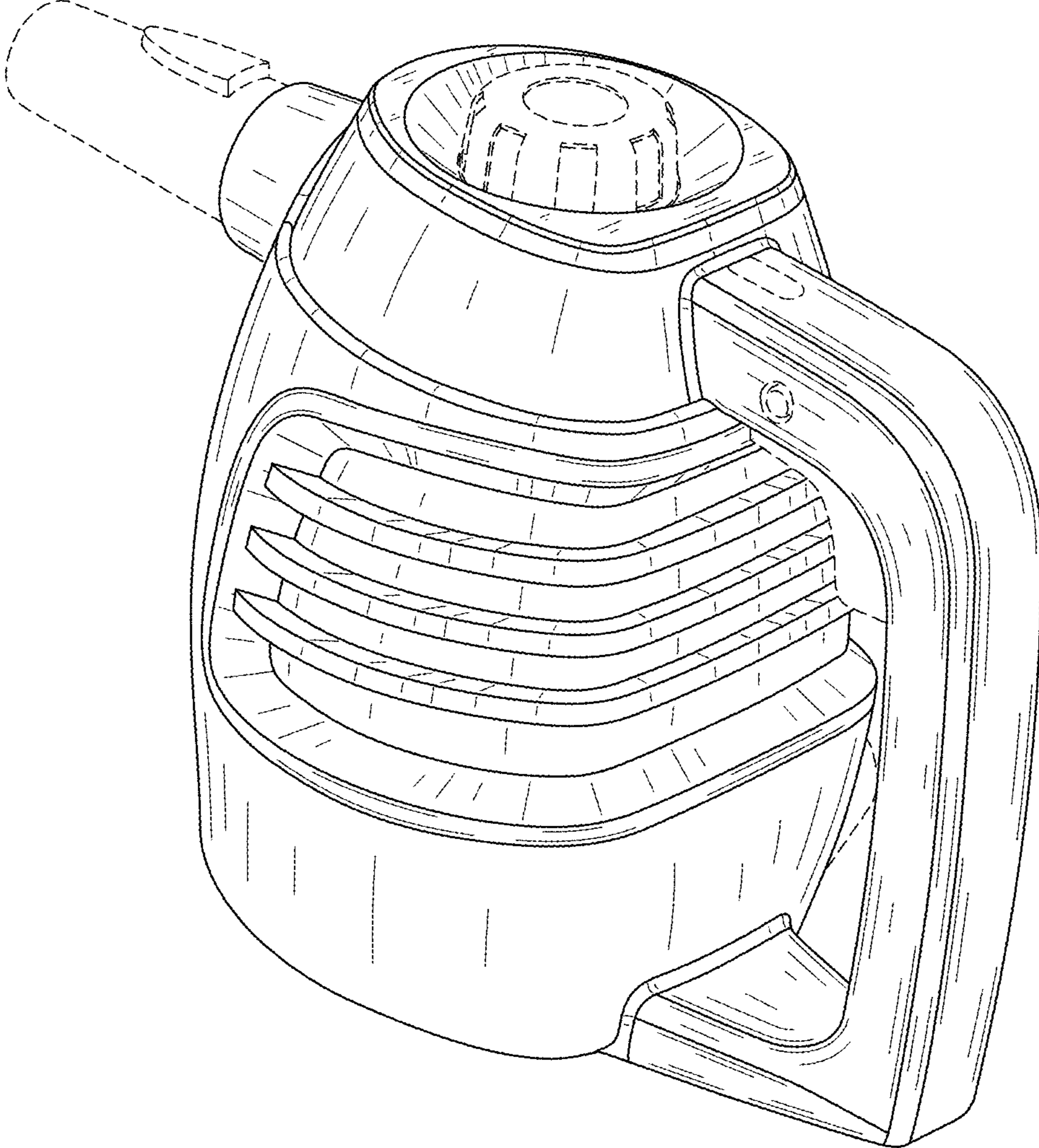


FIG. 1

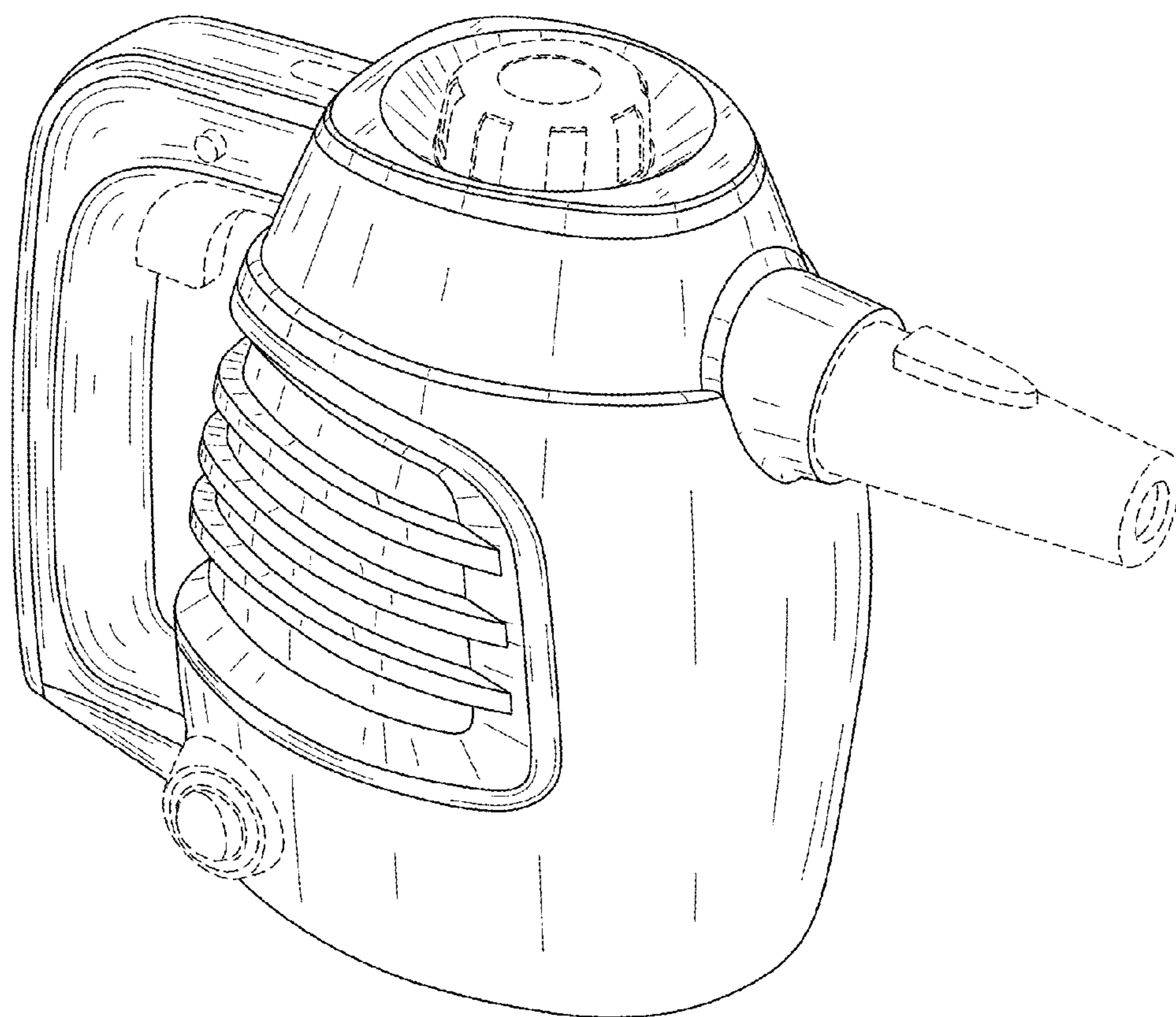


FIG. 2

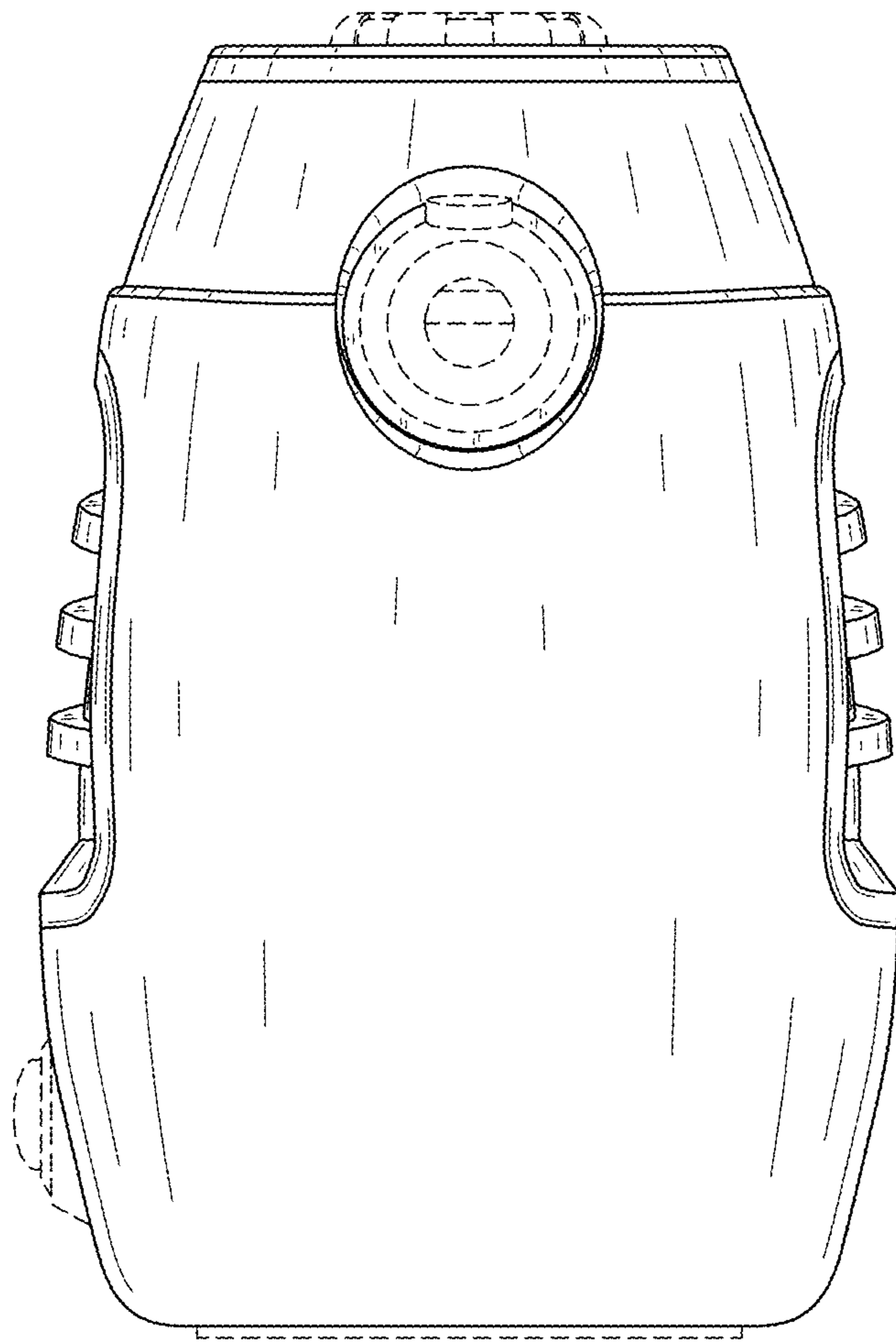


FIG. 3

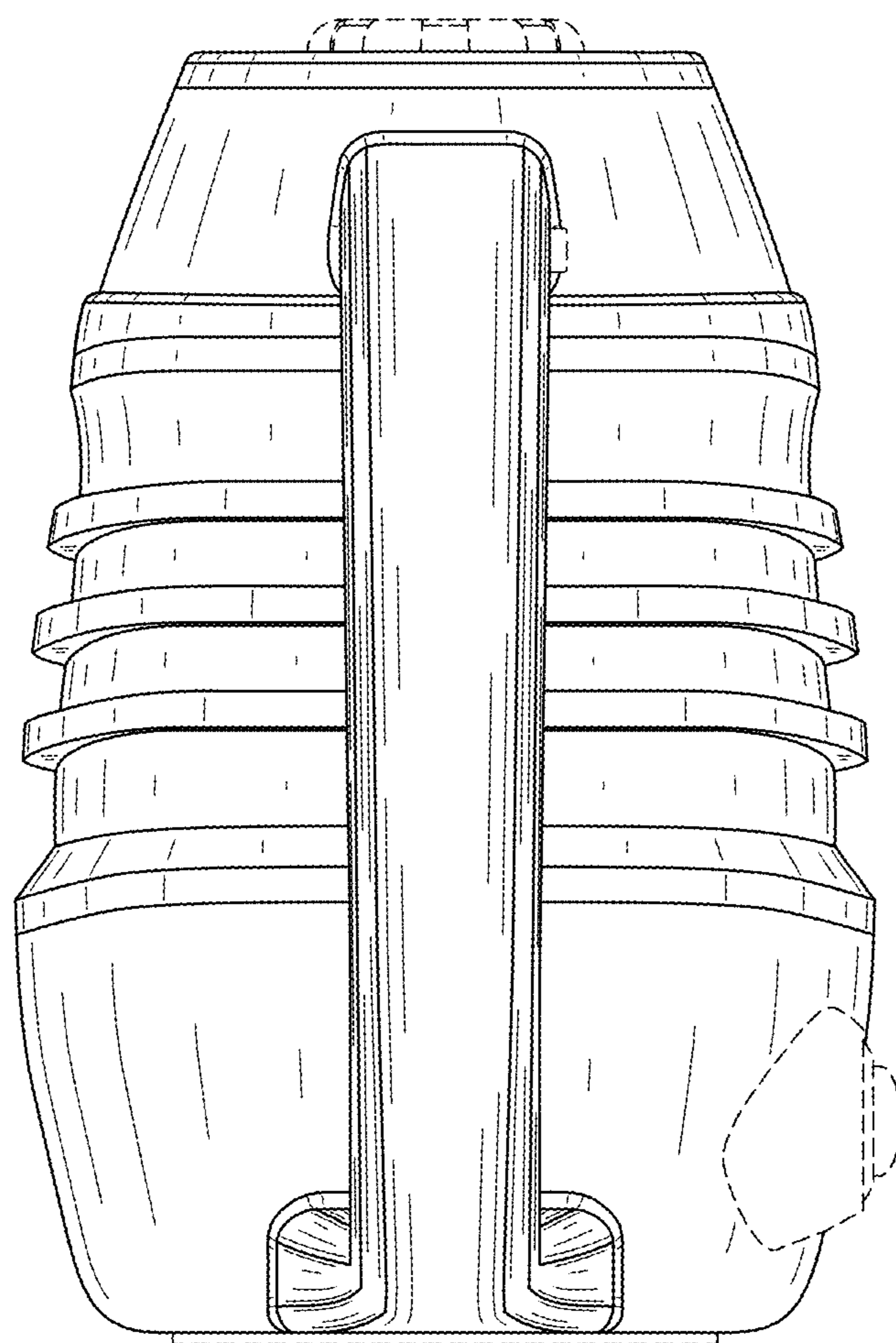


FIG. 4

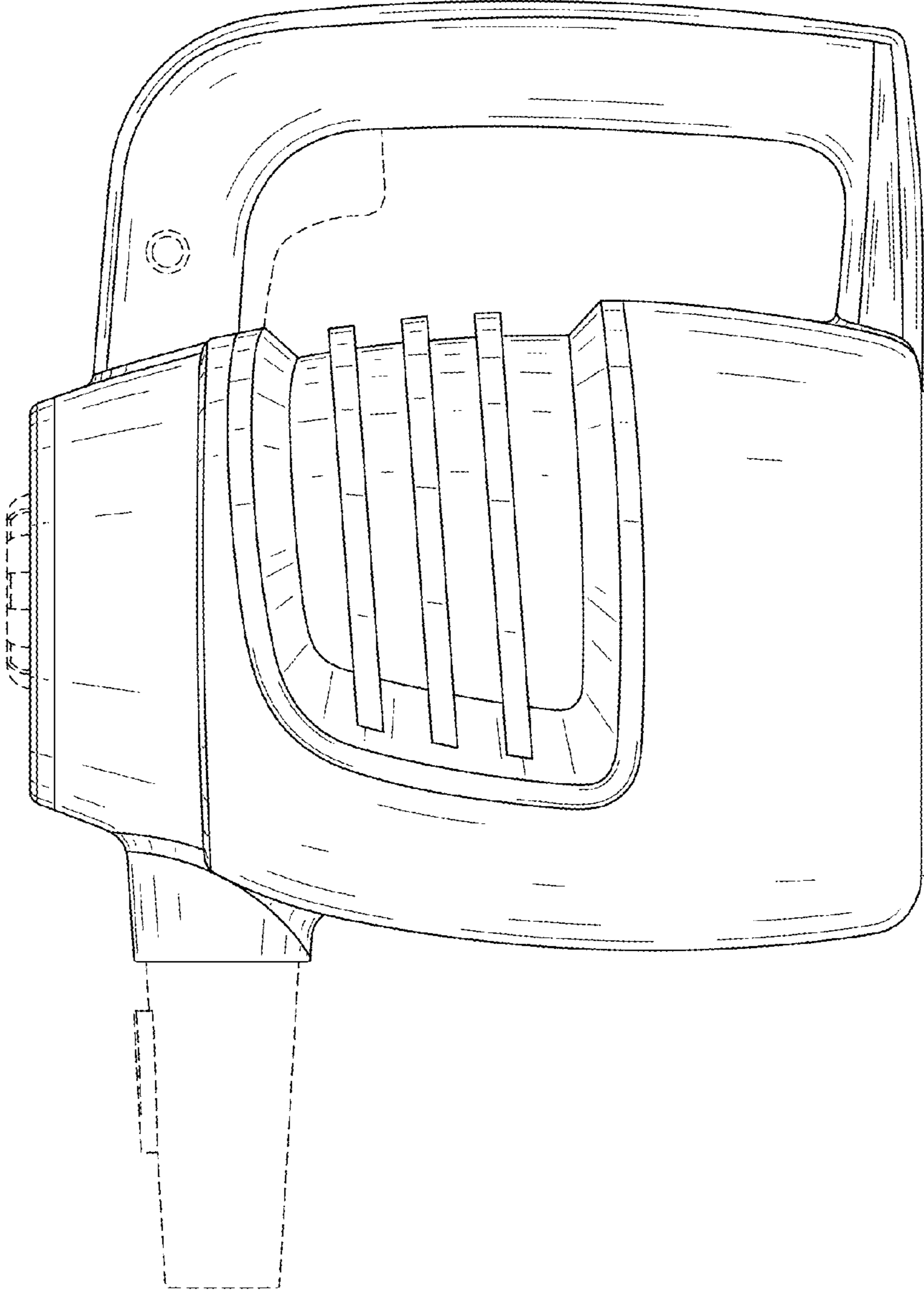


FIG. 5

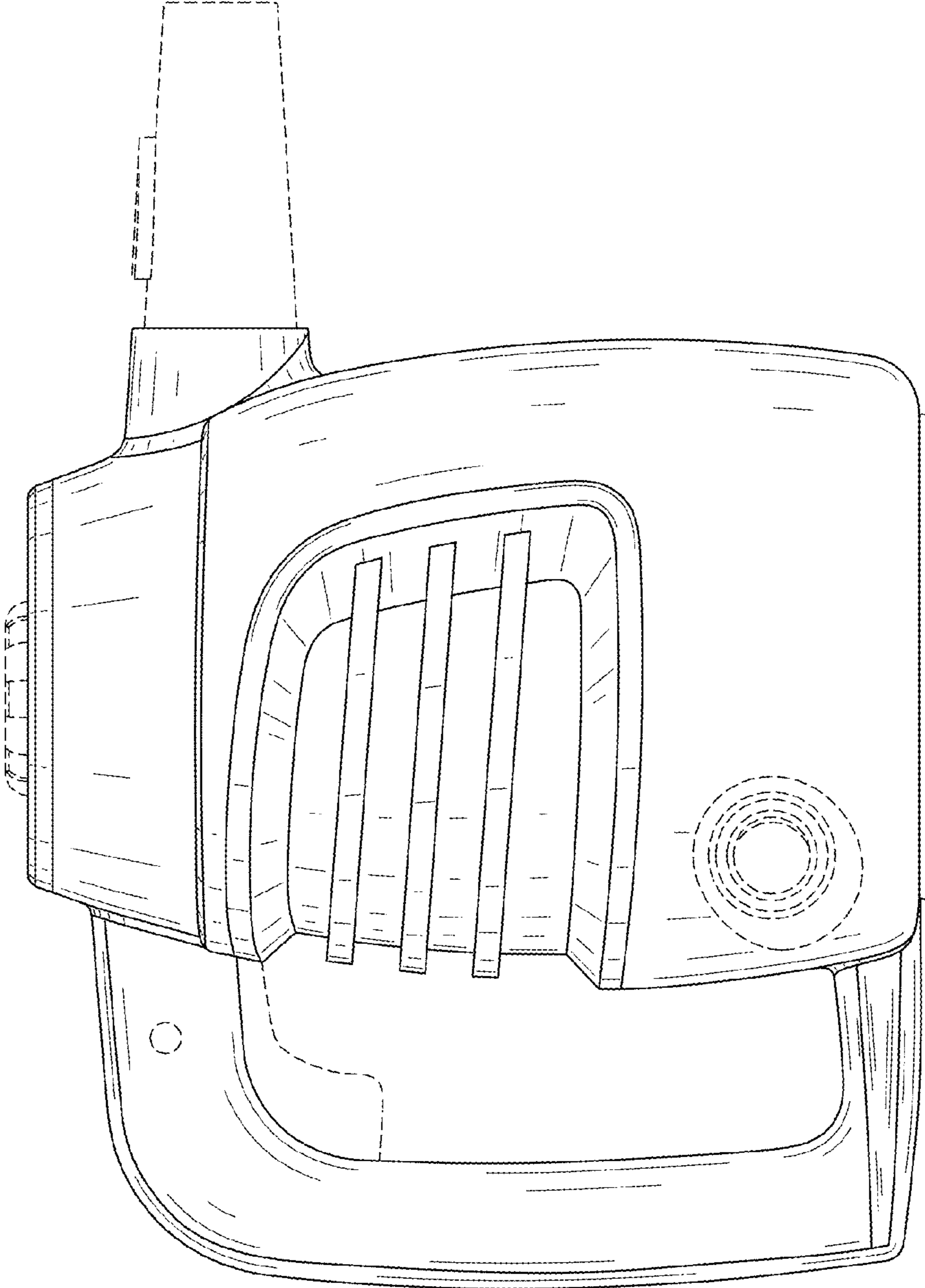


FIG. 6

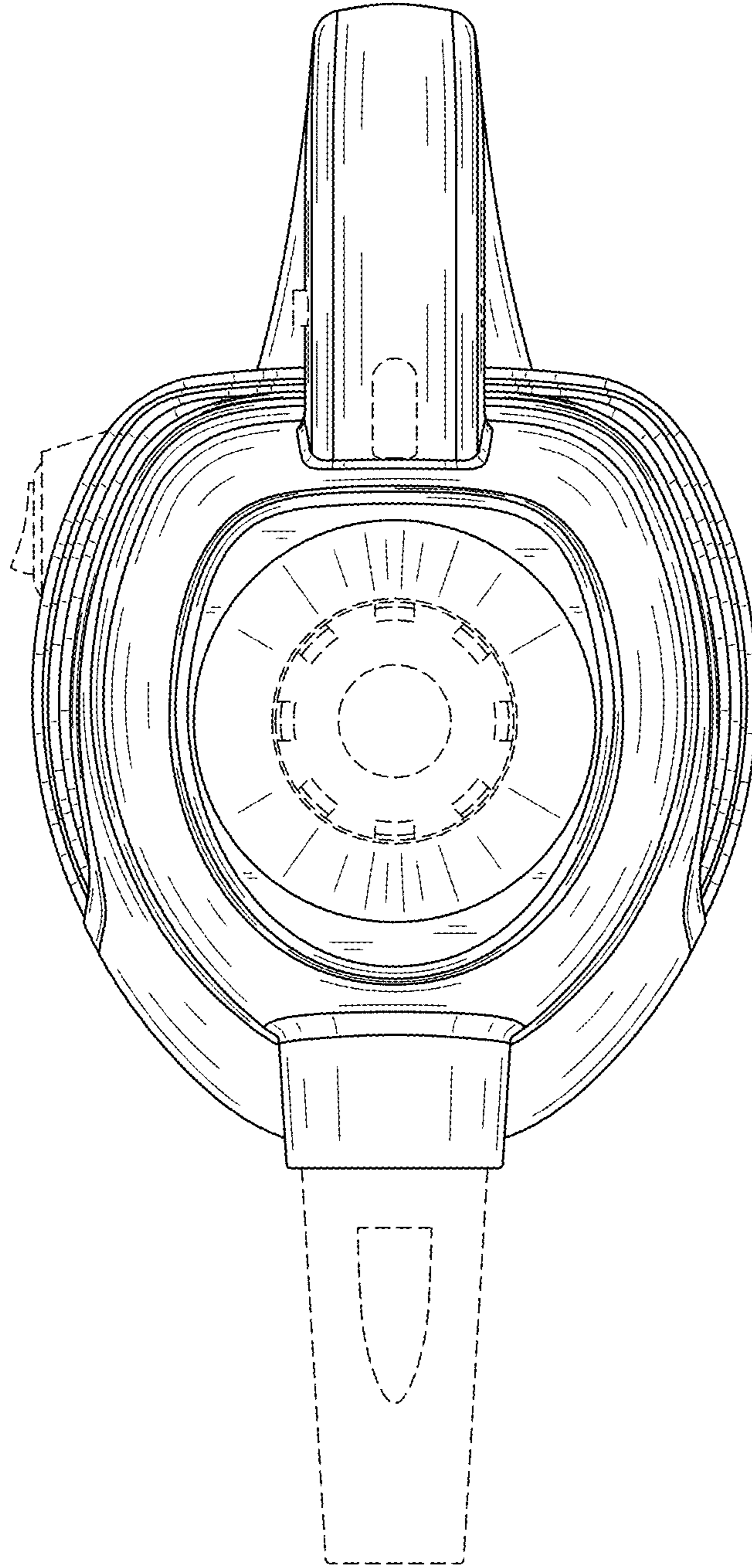


FIG. 7