



US00D708799S

(12) **United States Design Patent**  
**Choi et al.**

(10) **Patent No.:** **US D708,799 S**

(45) **Date of Patent:** **\*\* Jul. 8, 2014**

(54) **WASHING MACHINE**

(56) **References Cited**

(71) Applicant: **Samsung Electronics Co., Ltd.**,  
Suwon-si (KR)

U.S. PATENT DOCUMENTS

(72) Inventors: **Hyoung-Sub Choi**, Seoul (KR);  
**Jung-Hoon Hwang**, Yongin-si (KR);  
**Ki-Sang Yoon**, Daejeon (KR); **Jae-Won Choi**, Seoul (KR); **Tae-Hyoung Cho**, Seoul (KR)

D589,215	S	*	3/2009	Cho et al.	.....	D32/6
D618,865	S	*	6/2010	Cline et al.	.....	D32/6
D627,115	S	*	11/2010	Jeon et al.	.....	D32/6
D627,528	S	*	11/2010	Billig	.....	D32/6
D631,623	S	*	1/2011	Chung et al.	.....	D32/6
D635,727	S	*	4/2011	Jeon et al.	.....	D32/6
D688,013	S	*	8/2013	Kim et al.	.....	D32/6
D697,678	S	*	1/2014	Jeon et al.	.....	D32/6
2013/0198970	A1	*	8/2013	Doh et al.	.....	8/137
2013/0198971	A1	*	8/2013	Doh et al.	.....	8/137
2013/0199250	A1	*	8/2013	Doh et al.	.....	68/5 C

(73) Assignee: **Samsung Electronics Co., Ltd.** (KR)

\* cited by examiner

(\*\*) Term: **14 Years**

*Primary Examiner* — T. Chase Nelson  
*Assistant Examiner* — Kathleen M Sims

(21) Appl. No.: **29/469,386**

(74) *Attorney, Agent, or Firm* — Cantor Colburn LLP

(22) Filed: **Oct. 9, 2013**

(57) **CLAIM**

We claim, the ornamental design for a washing machine, as shown and described.

(30) **Foreign Application Priority Data**

**DESCRIPTION**

Apr. 11, 2013 (KR) ..... 30-2013-0018900

(51) **LOC (10) Cl.** ..... **15-05**

(52) **U.S. Cl.**  
USPC ..... **D32/6**

(58) **Field of Classification Search**  
USPC ..... D32/1-2, 5-10, 25; 68/3 R, 4, 5 R,  
68/12.01, 12.07-12.08, 212; 34/87-88,  
34/130-131, 523-524, 595-597

FIG. 1 is a perspective view of a washing machine, showing our new design;  
FIG. 2 is a front elevation view thereof;  
FIG. 3 is a rear elevation view thereof;  
FIG. 4 is a side elevation view thereof;  
FIG. 5 is a another side elevation view thereof;  
FIG. 6 is a top plan view thereof; and,  
FIG. 7 is a bottom plan view thereof.  
The broken lines illustrating portions of the washing machine are for environmental purposes only and form no part of the claimed design.

See application file for complete search history.

**1 Claim, 6 Drawing Sheets**

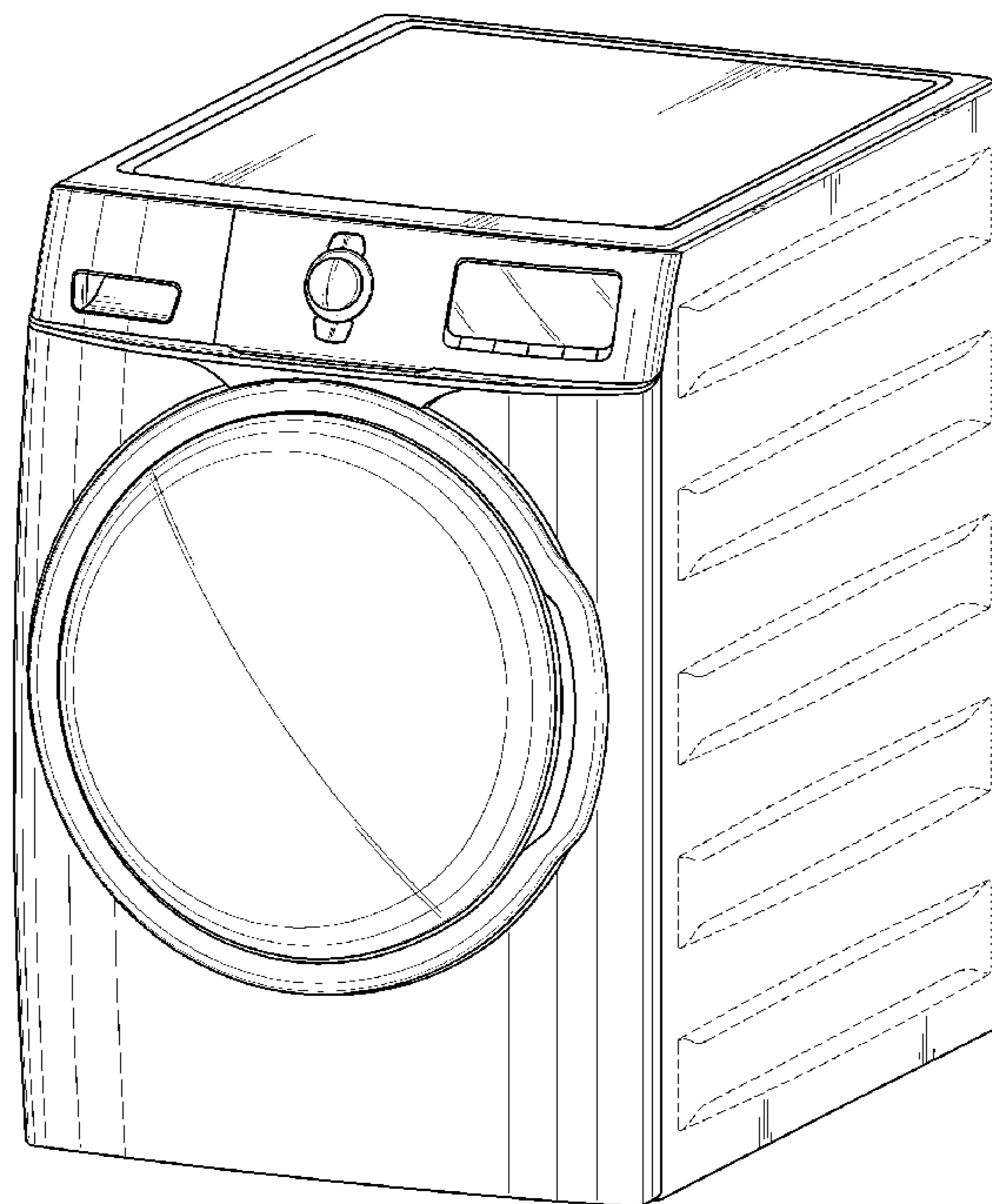


FIG. 1

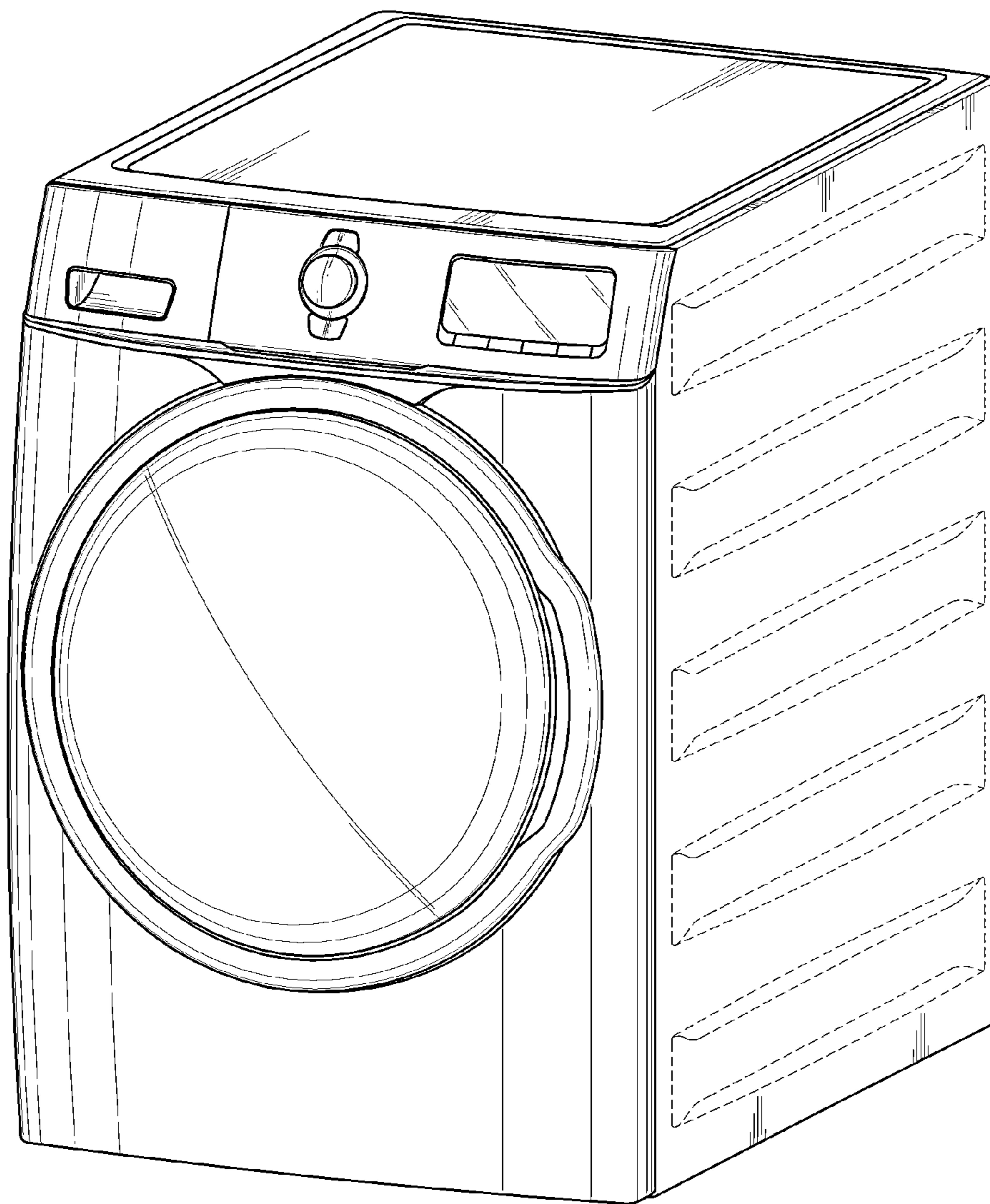


FIG. 2

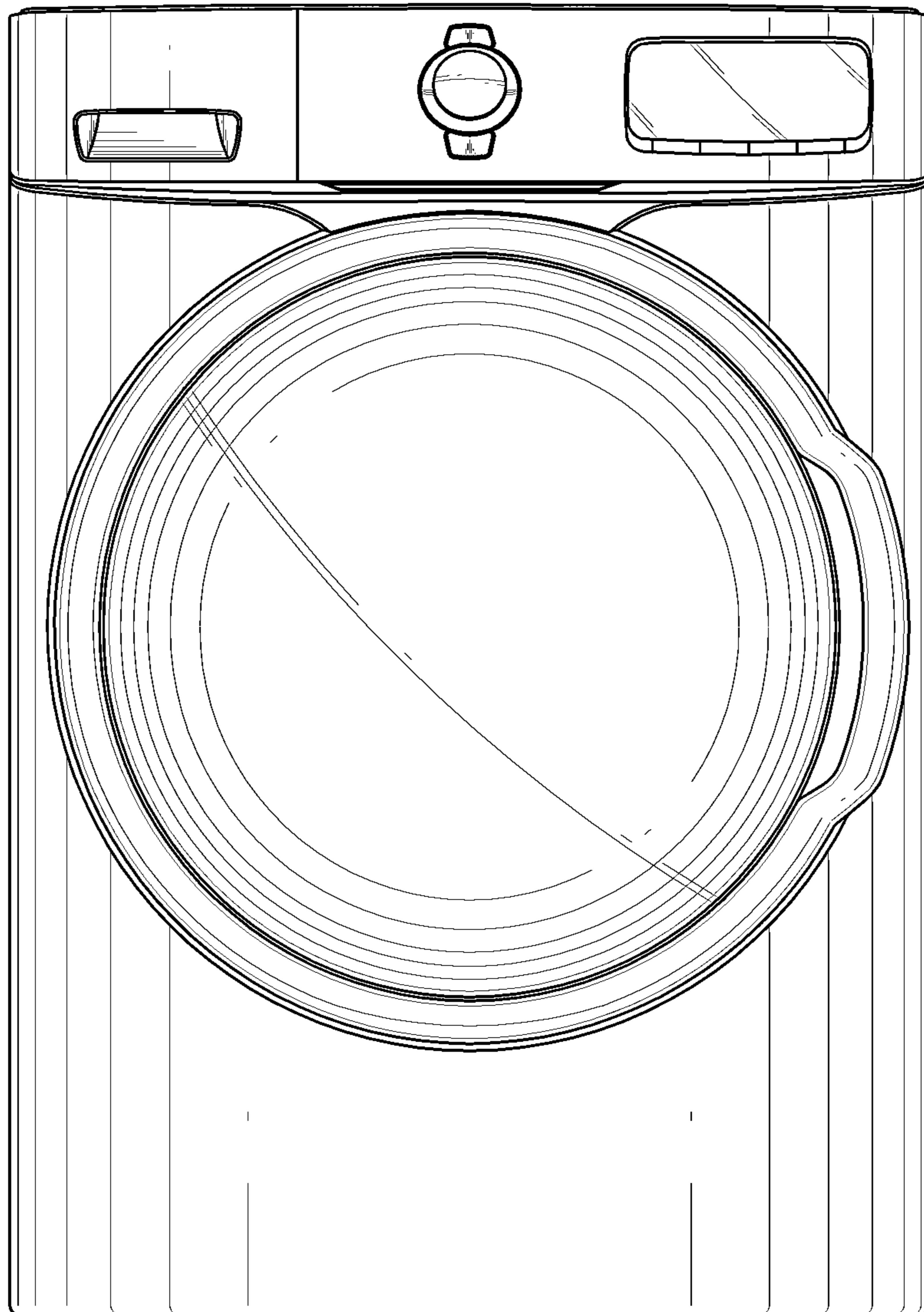


FIG. 3

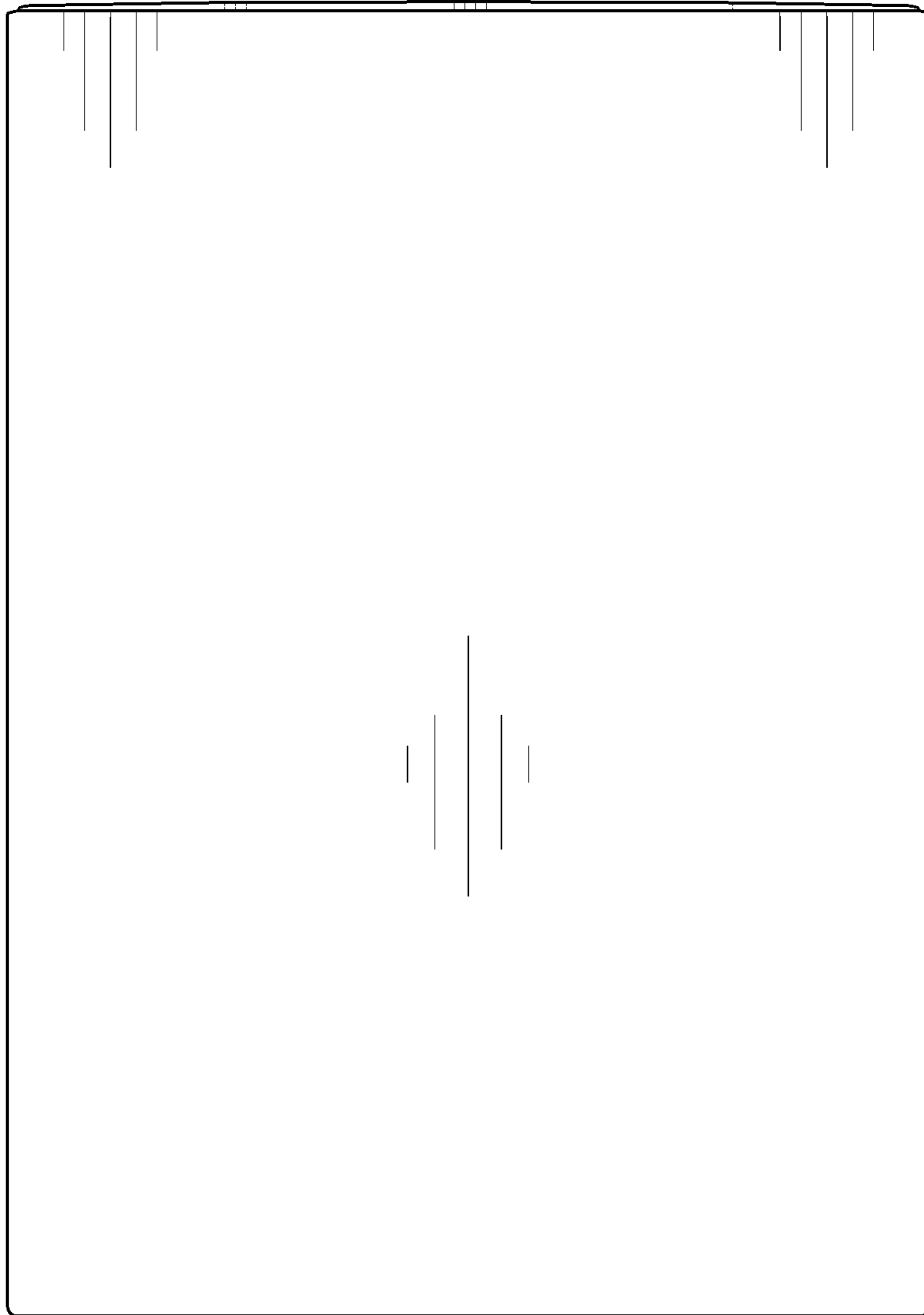


FIG. 4

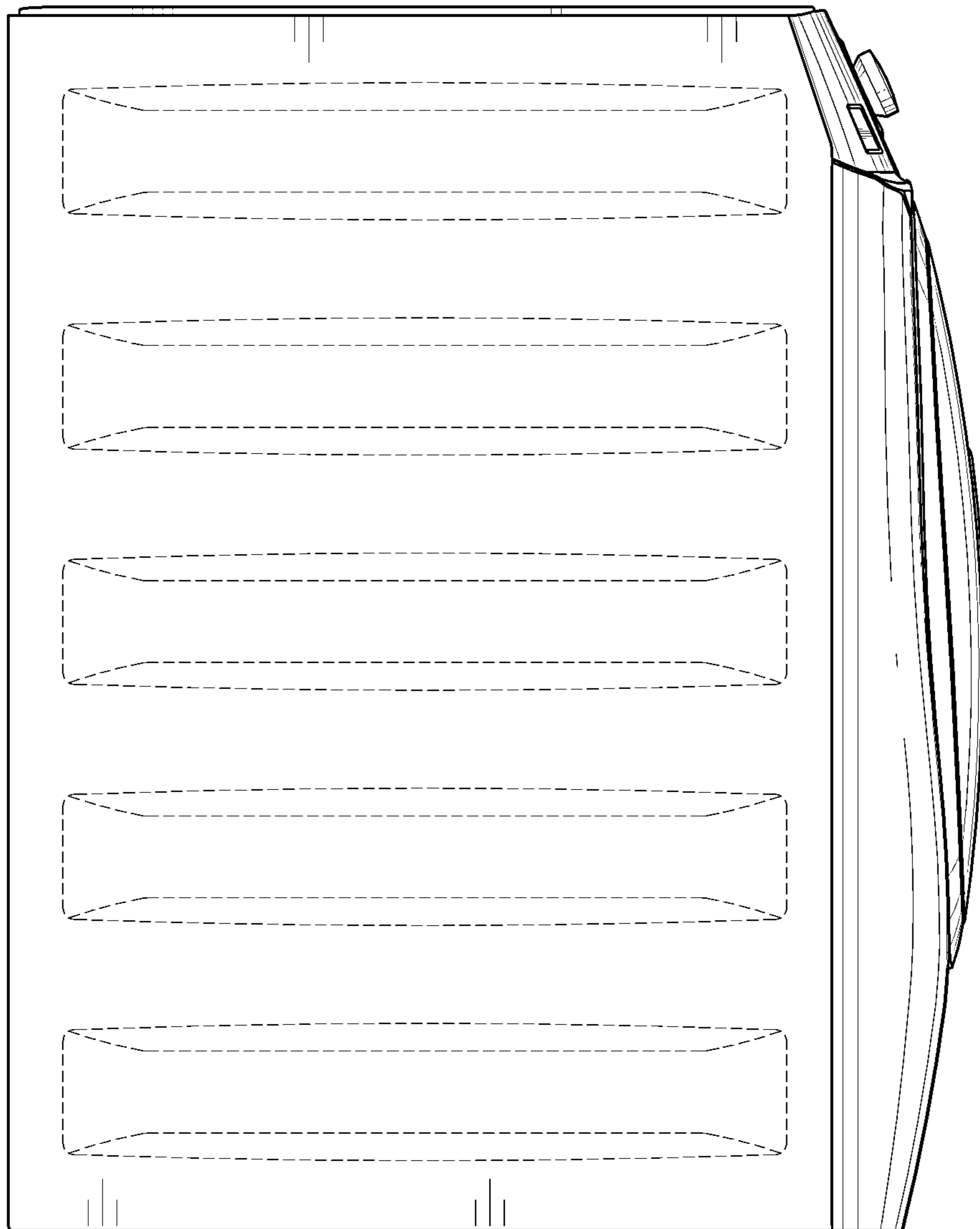


FIG. 5

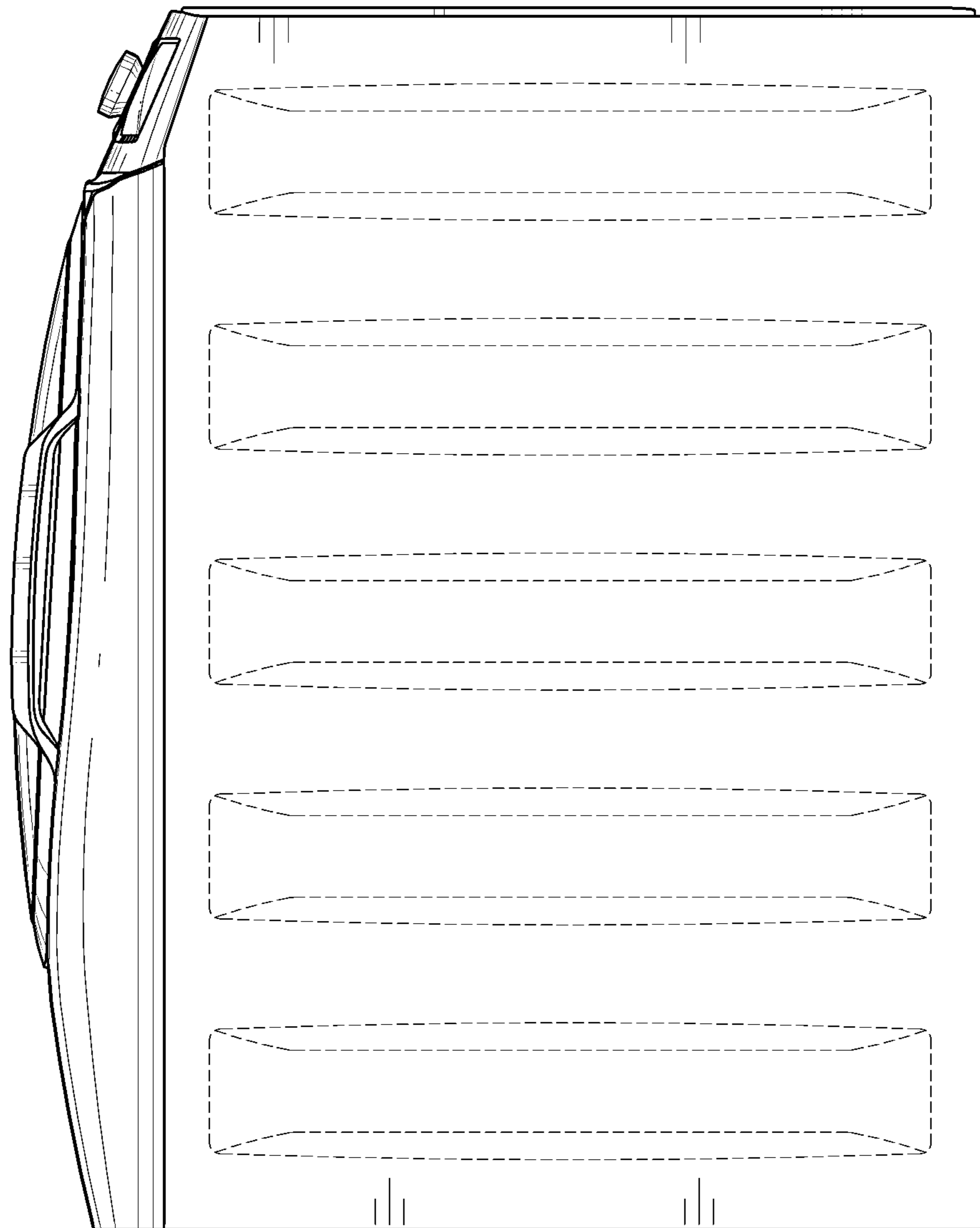




FIG. 6

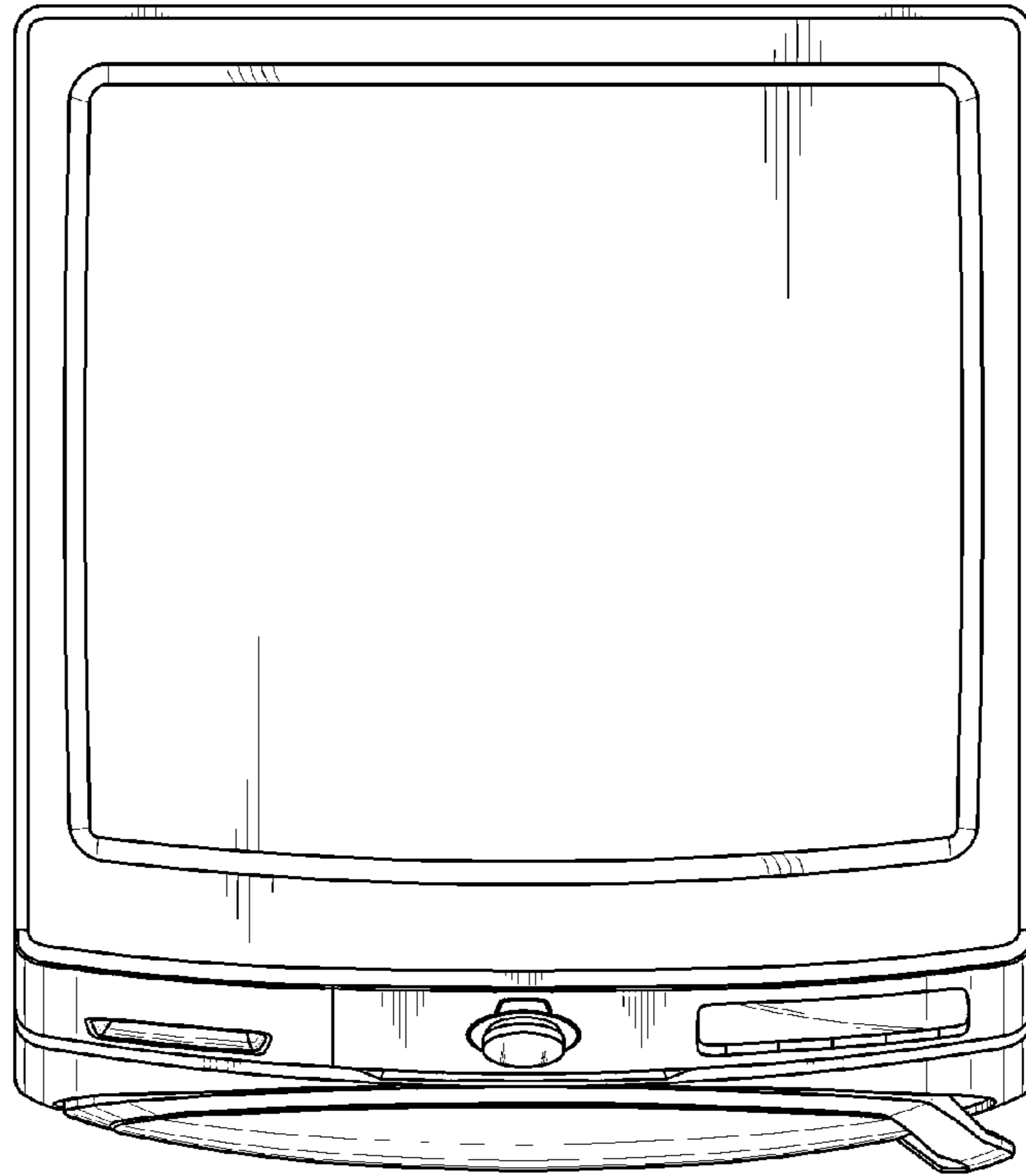


FIG. 7

