



US00D708797S

(12) **United States Design Patent**
MacDonald et al.

(10) **Patent No.:** **US D708,797 S**
(45) **Date of Patent:** **** Jul. 8, 2014**

(54) **CONTROLLER HOUSING FOR AN ANIMAL TRAINING SYSTEM**

(71) Applicant: **Dogwatch Inc.**, Natick, MA (US)

(72) Inventors: **James T. MacDonald**, Pepperell, MA (US); **Christopher Aiston**, Mont Vernon, NH (US)

(73) Assignee: **Dogwatch Inc.**, Natick, MA (US)

(**) Term: **14 Years**

(21) Appl. No.: **29/467,846**

(22) Filed: **Sep. 24, 2013**

(51) **LOC (10) Cl.** **30-99**

(52) **U.S. Cl.**
USPC **D30/199**

(58) **Field of Classification Search**
CPC ... A01K 15/21; A01K 15/022; A01K 15/023;
A01K 15/04; A01K 11/006; A01K 27/009;
H04N 5/4403
USPC D30/144, 145, 151, 152, 153, 155, 156,
D30/199; D10/104.1, 104.2; D13/168;
D14/137, 155, 159, 218; 119/712, 718,
119/719, 720, 721, 856, 858, 859, 860,
119/863; 340/573.1, 573.3, 573.4, 539.14,
340/539.15

See application file for complete search history.

(56) **References Cited**

U.S. PATENT DOCUMENTS

D309,890 S * 8/1990 Cheng D13/168
D317,065 S * 5/1991 Greene D30/156
D330,522 S * 10/1992 Mokhtarian D10/104.1
D344,907 S * 3/1994 Abrams et al. D14/159
D375,057 S * 10/1996 Heun D10/104.1
5,640,932 A * 6/1997 Bianco et al. 119/720
D380,691 S * 7/1997 Heun D10/104.1
5,682,839 A * 11/1997 Grimsley et al. 119/721

D440,509 S * 4/2001 Greene D30/199
D445,352 S * 7/2001 So D30/199
6,561,137 B2 * 5/2003 Oakman 119/721
D491,481 S * 6/2004 Aiston et al. D10/104.1
7,081,821 B2 * 7/2006 So 340/573.3
7,518,522 B2 * 4/2009 So 340/573.3
8,031,067 B2 * 10/2011 Greenberg 340/539.13
2002/0073933 A1 * 6/2002 Oakman 119/721

OTHER PUBLICATIONS

Invisible Fencing, Operation Manual and Training Guide, R5000 Receiver, CT4000 Transmitter, AT880 Off-Limits™ Transmitter, © 1989 Invisible Fence Co., Inc.
DogWatch Hidden Fences, Performance Series Owner's Guide, Aug. 2013.
DogWatch Hidden Fences, Simply the best . . . No getting around it, Jan. 2010.

(Continued)

Primary Examiner — Martie K Holtje

(74) *Attorney, Agent, or Firm* — Preti Flaherty Beliveau & Pachios LLP

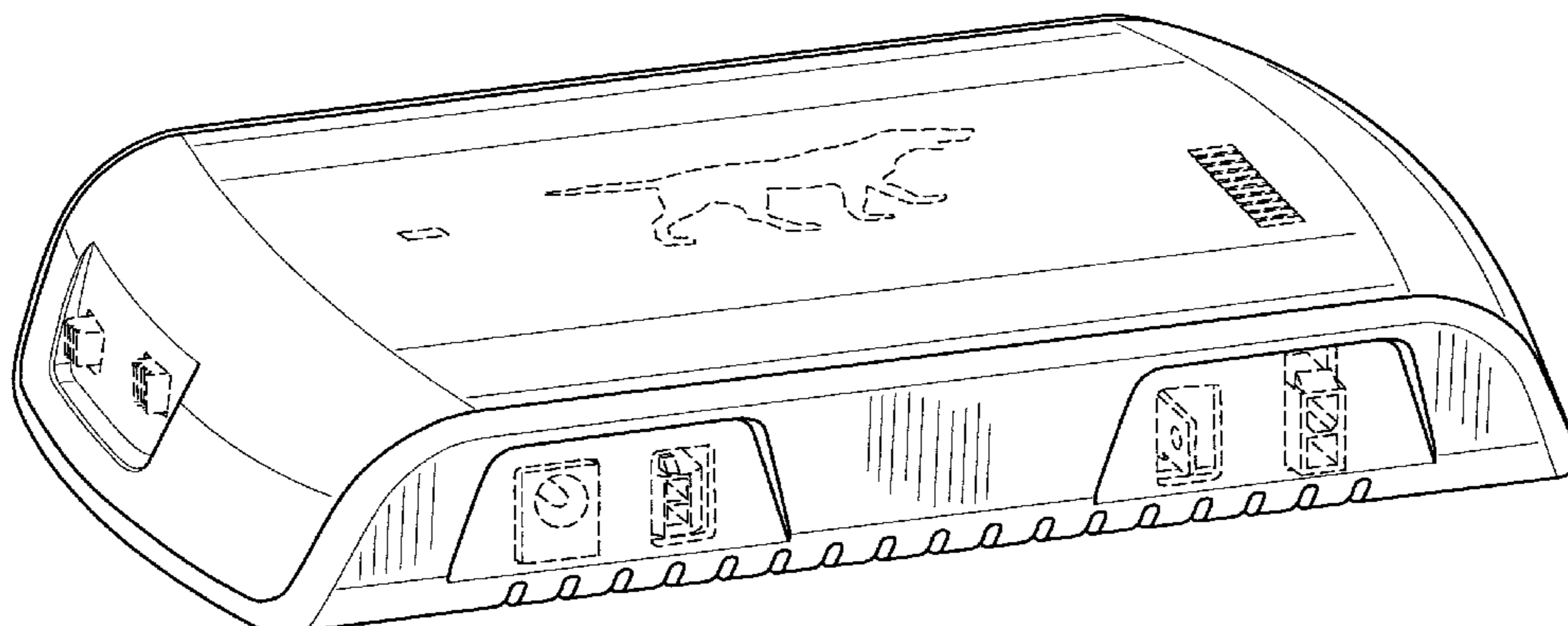
(57) **CLAIM**

The ornamental design for a controller housing for an animal training system, as shown and described.

DESCRIPTION

FIG. 1 is a top perspective view of a controller housing for an animal training system showing our new design;
FIG. 2 is a top plan view thereof;
FIG. 3 is a bottom plan view thereof;
FIG. 4 is a front elevational view thereof;
FIG. 5 is a rear elevational view thereof;
FIG. 6 is a left side elevational view thereof; and,
FIG. 7 is a right side elevational view thereof.
The broken line showing of structural features and indicia is included for the purpose of illustrating portions of the controller housing for an animal training system that form no part of the claimed design.

1 Claim, 5 Drawing Sheets



(56)

References Cited

OTHER PUBLICATIONS

DogWatch Hidden Fences System 1200, It's all about your dog, Hidden Fences—Indoor Boundaries—Remote Trainers, Feb. 2011.
Invisible Fencing, A "Family of Systems" To Fit Both Your Yard And Your Budget!, © 1993, Invisible Fence Co., Inc.
DogWatch Hidden Fence Systems, Owner's Guide, © 1994 DogWatch Inc.

DogWatch Hidden Fences, It's All About Your Dog, Hidden Fences—Indoor Boundaries—Remote Trainers, Sep. 2012.
Pet Stop, Electronic Fence Systems, Owner's Manual, date unknown.
Radio Fence Invisible Pet Containment System, Training, Installation, and Trouble Shooting Manual, date unknown.
Dogtra, iQ CliQ, Owner's Manual, iQ Pet, Dog Training Collar, date unknown.

* cited by examiner

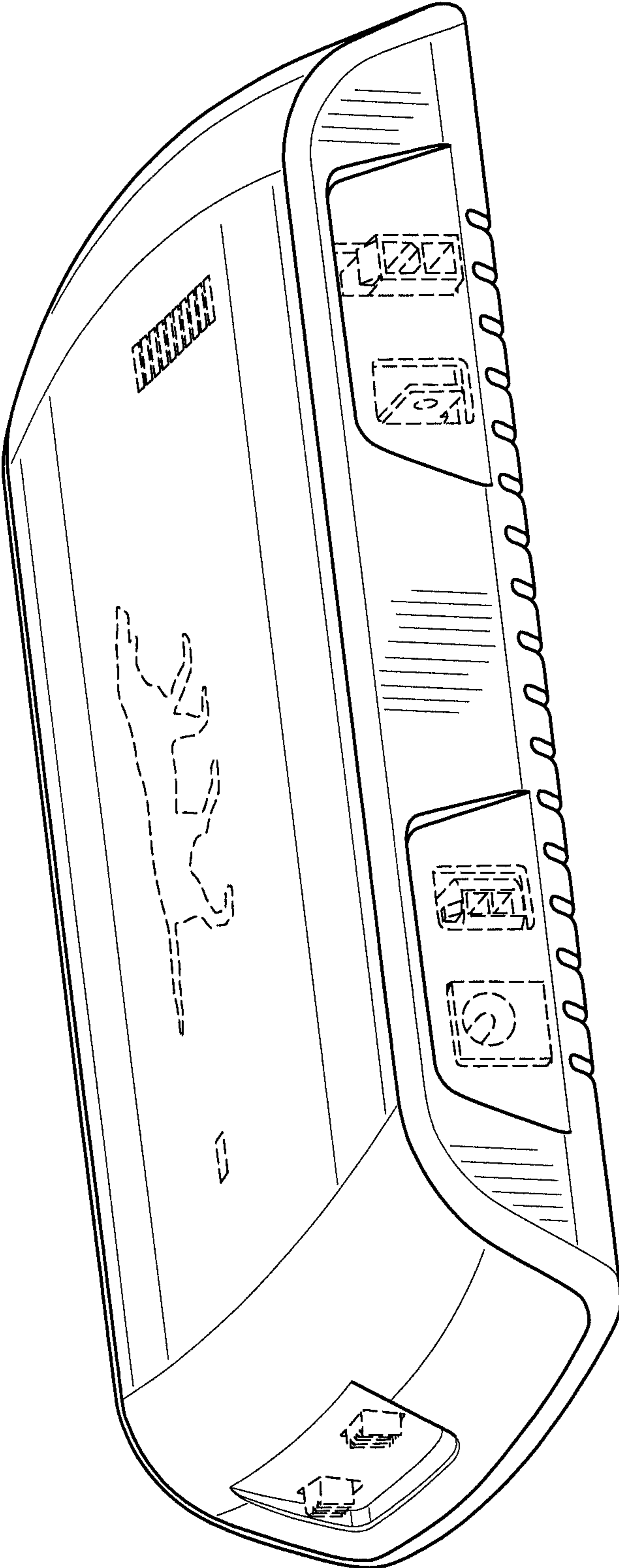


FIG. 1

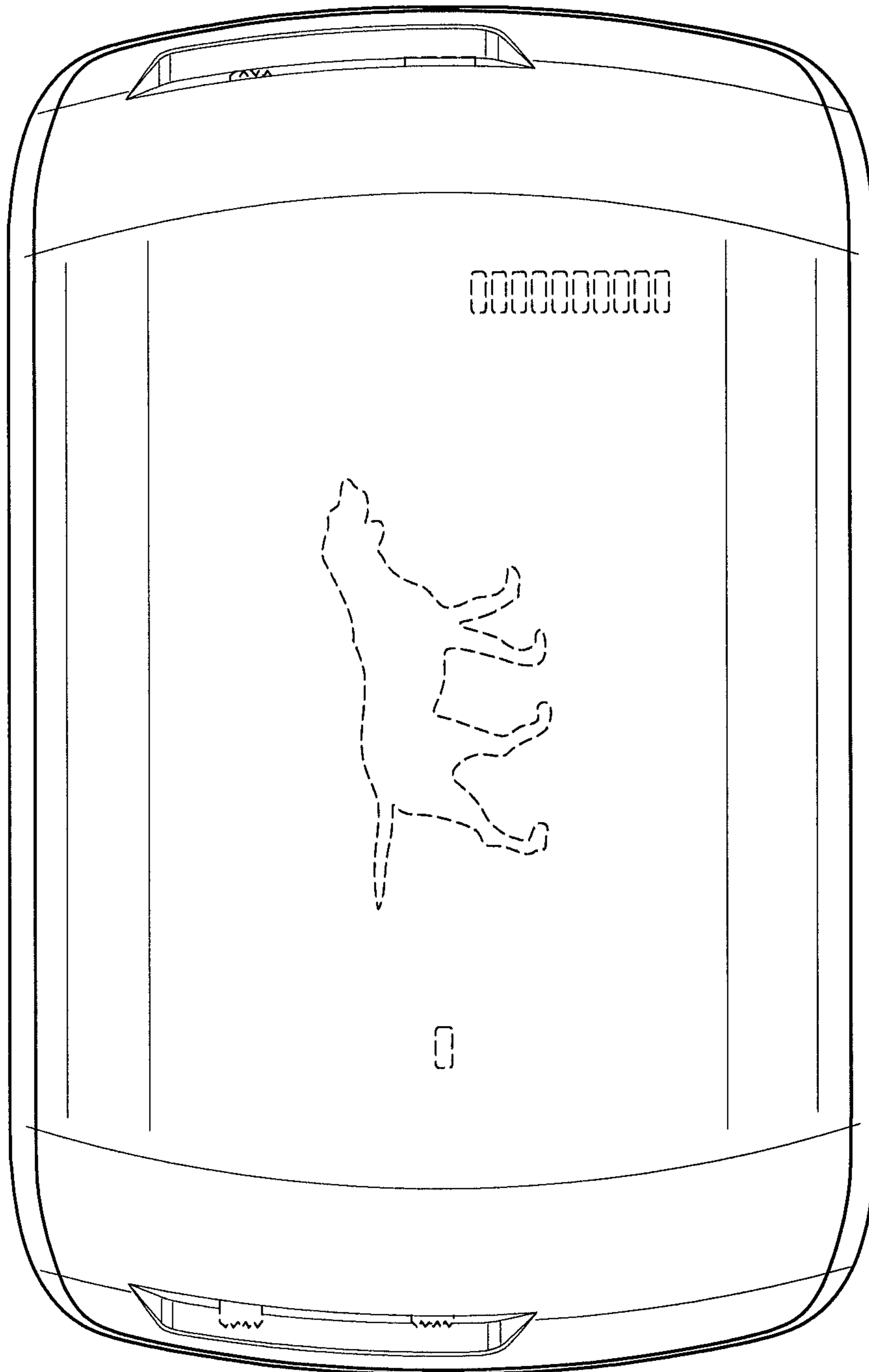


FIG. 2

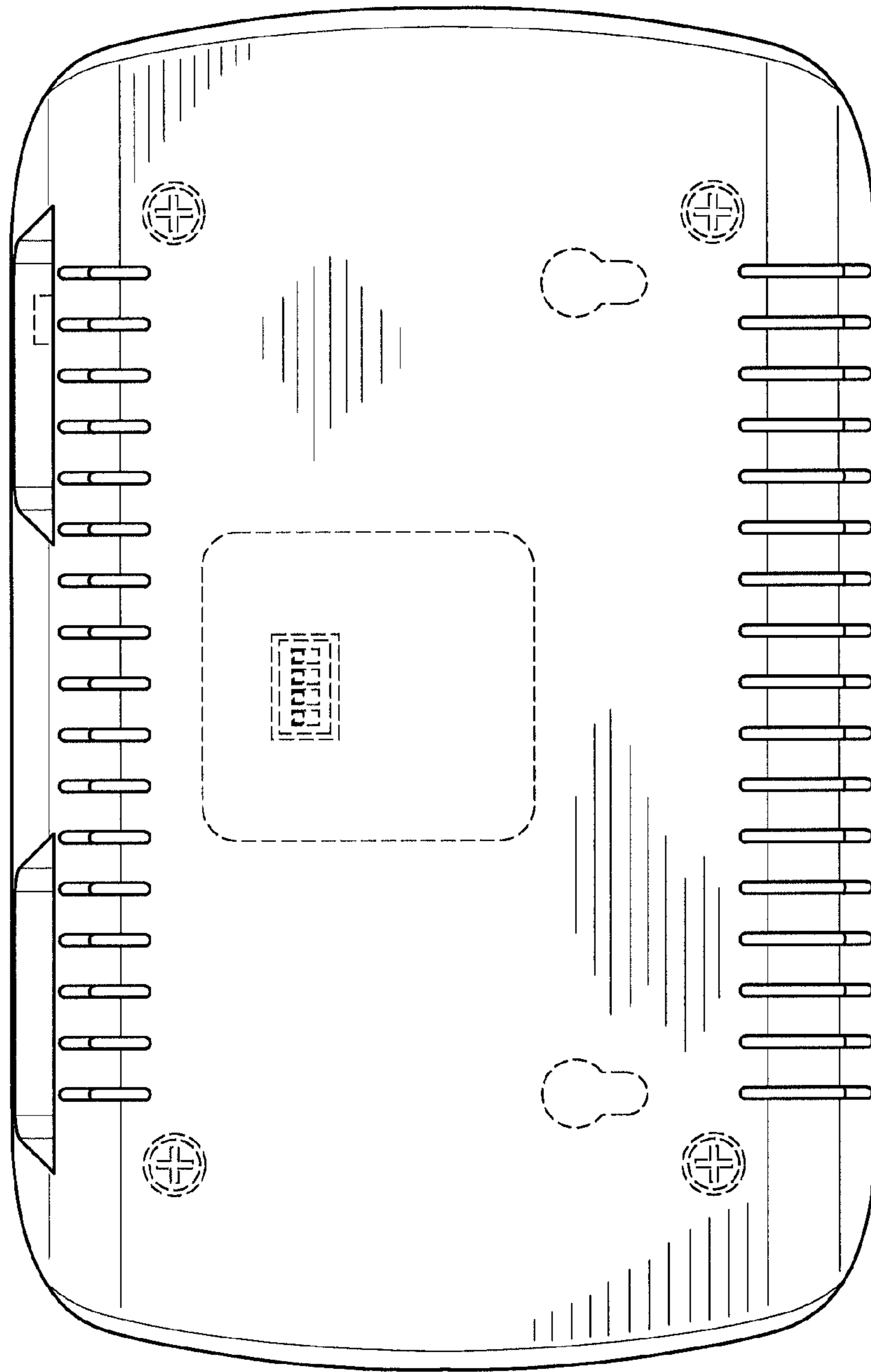


FIG. 3

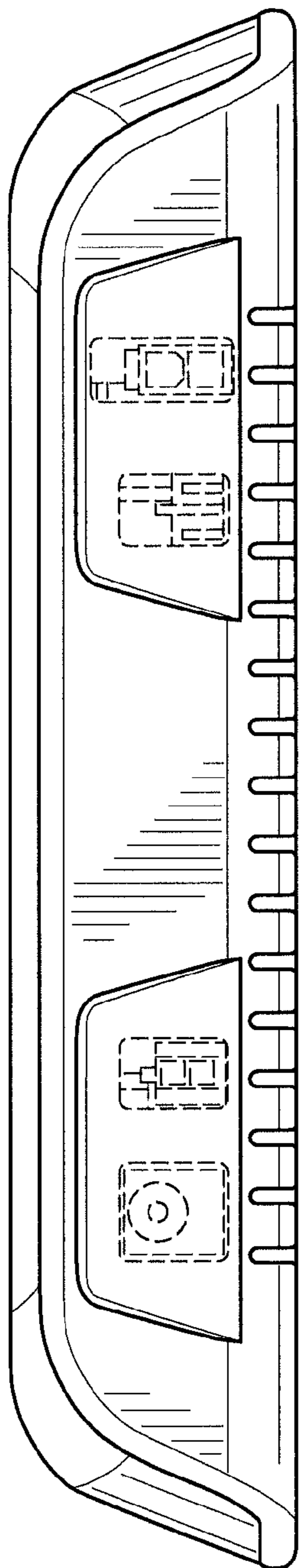


FIG. 4

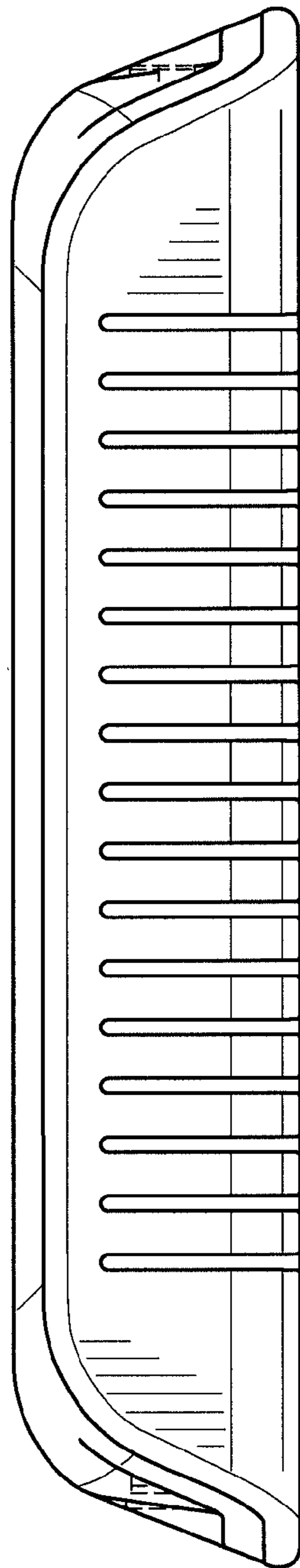


FIG. 5

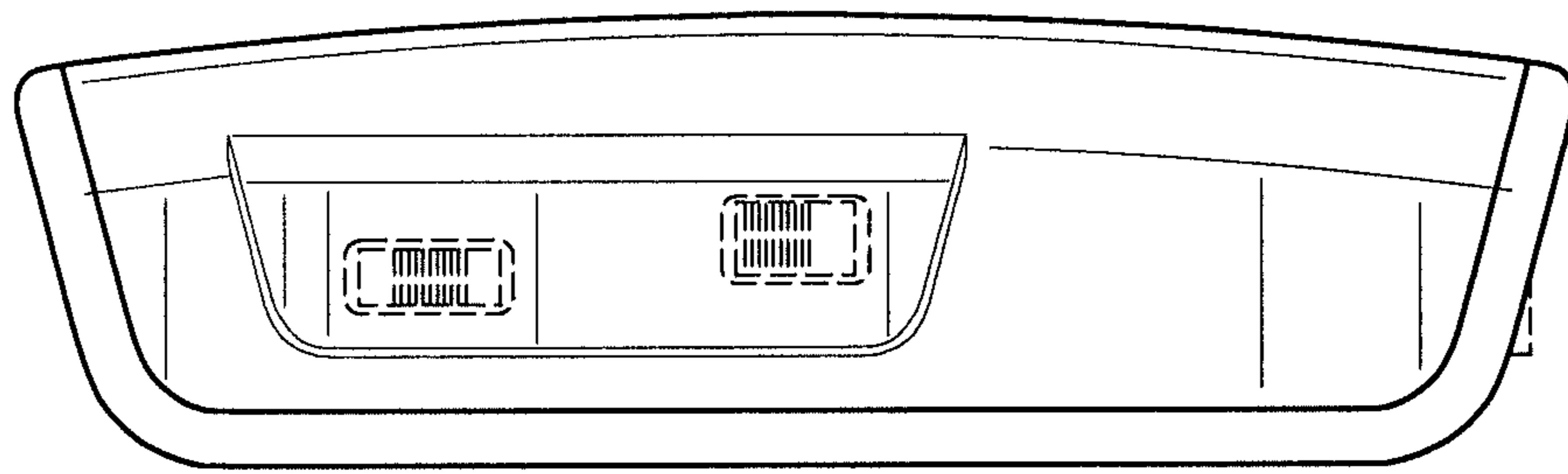


FIG. 6

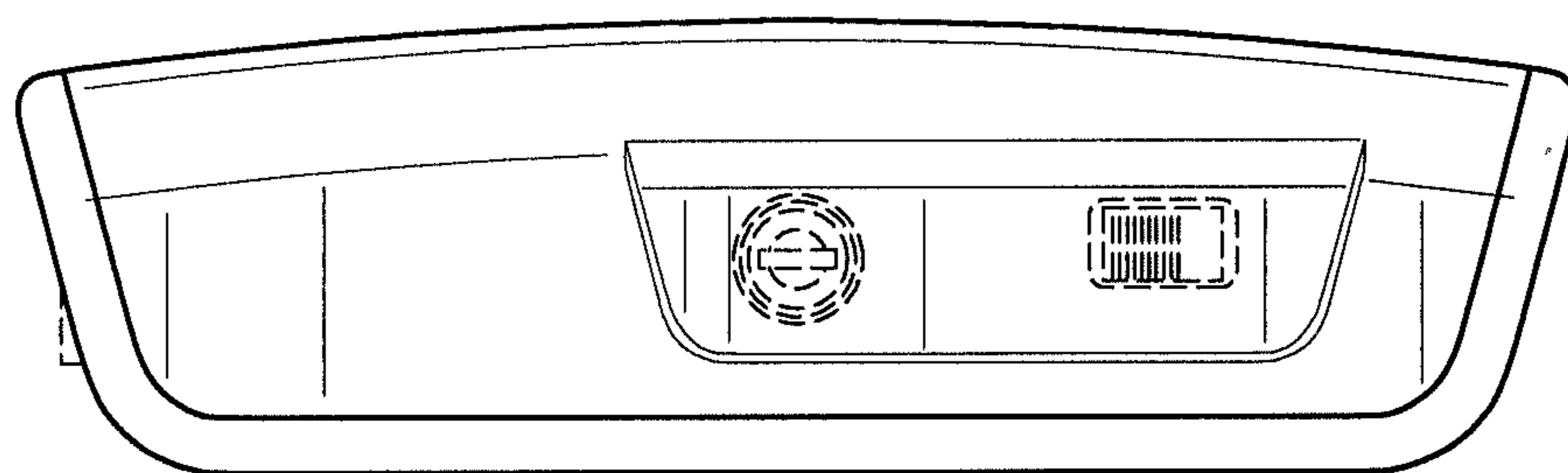


FIG. 7