



US00D708796S

(12) **United States Design Patent**
Sproviero et al.

(10) **Patent No.:** **US D708,796 S**

(45) **Date of Patent:** **** Jul. 8, 2014**

(54) **HANDHELD ULTRASONIC BARK CONTROLLER**

(56) **References Cited**

U.S. PATENT DOCUMENTS

(71) Applicant: **Sunbeam Products, Inc.**, Boca Raton, FL (US)

D218,102	S	*	7/1970	Schwartz	D13/168
4,335,682	A	*	6/1982	Gonda et al.	119/719
5,054,428	A	*	10/1991	Farkus	119/720
6,052,097	A	*	4/2000	Duncan et al.	343/788
D451,836	S	*	12/2001	Fleetwood et al.	D30/199
D482,630	S	*	11/2003	So	D30/199
D531,584	S	*	11/2006	Myers et al.	D13/168
D541,253	S	*	4/2007	Thoeny	D14/155
D544,119	S	*	6/2007	Ding et al.	D26/37
D624,222	S	*	9/2010	Poon	D26/46
D625,275	S	*	10/2010	Yano	D13/168
D627,744	S	*	11/2010	Yano	D13/168
D630,168	S	*	1/2011	Yano	D13/168
2005/0172912	A1	*	8/2005	Crist et al.	119/720
2011/0214619	A1	*	9/2011	Risch et al.	119/719
2012/0192995	A1	*	8/2012	Chen	144/28.8
2012/0272924	A1	*	11/2012	So	119/720

(72) Inventors: **Taryn Sproviero**, Boca Raton, FL (US);
Douglas Goodner, Weston, FL (US);
Kim Wah Chung, Shatin (HK)

(73) Assignee: **Sunbeam Products, Inc.**, Boca Raton, FL (US)

(**) Term: **14 Years**

(21) Appl. No.: **29/451,557**

* cited by examiner

(22) Filed: **Apr. 4, 2013**

Primary Examiner — Martie K Holtje

(51) **LOC (10) Cl.** **30-99**

(57) **CLAIM**

(52) **U.S. Cl.**

The ornamental design for a handheld ultrasonic bark controller, as shown and described.

USPC **D30/199**; D10/104.1; D13/168

DESCRIPTION

(58) **Field of Classification Search**

CPC A01K 15/21; A01K 15/22; A01K 15/23;
A01K 15/04; A01K 11/006; A01K 27/009;
H04N 5/4403

FIG. 1 is a front left perspective view of a handheld ultrasonic bark controller

USPC D30/144, 145, 151, 152, 153, 155, 199;
D10/104.1, 104.2; D13/168; D14/137,
D14/155, 159, 218, 247; 119/712, 718, 719,
119/720, 721, 856, 858, 859, 860, 863;
340/573.1, 573.3, 573.4, 539.14,
340/539.15; 174/176, 188; D26/37, 38, 39,
D26/46

FIG. 2 is a front view thereof;

FIG. 3 is a rear view thereof;

FIG. 4 is a left side view thereof;

FIG. 5 is a right side view thereof;

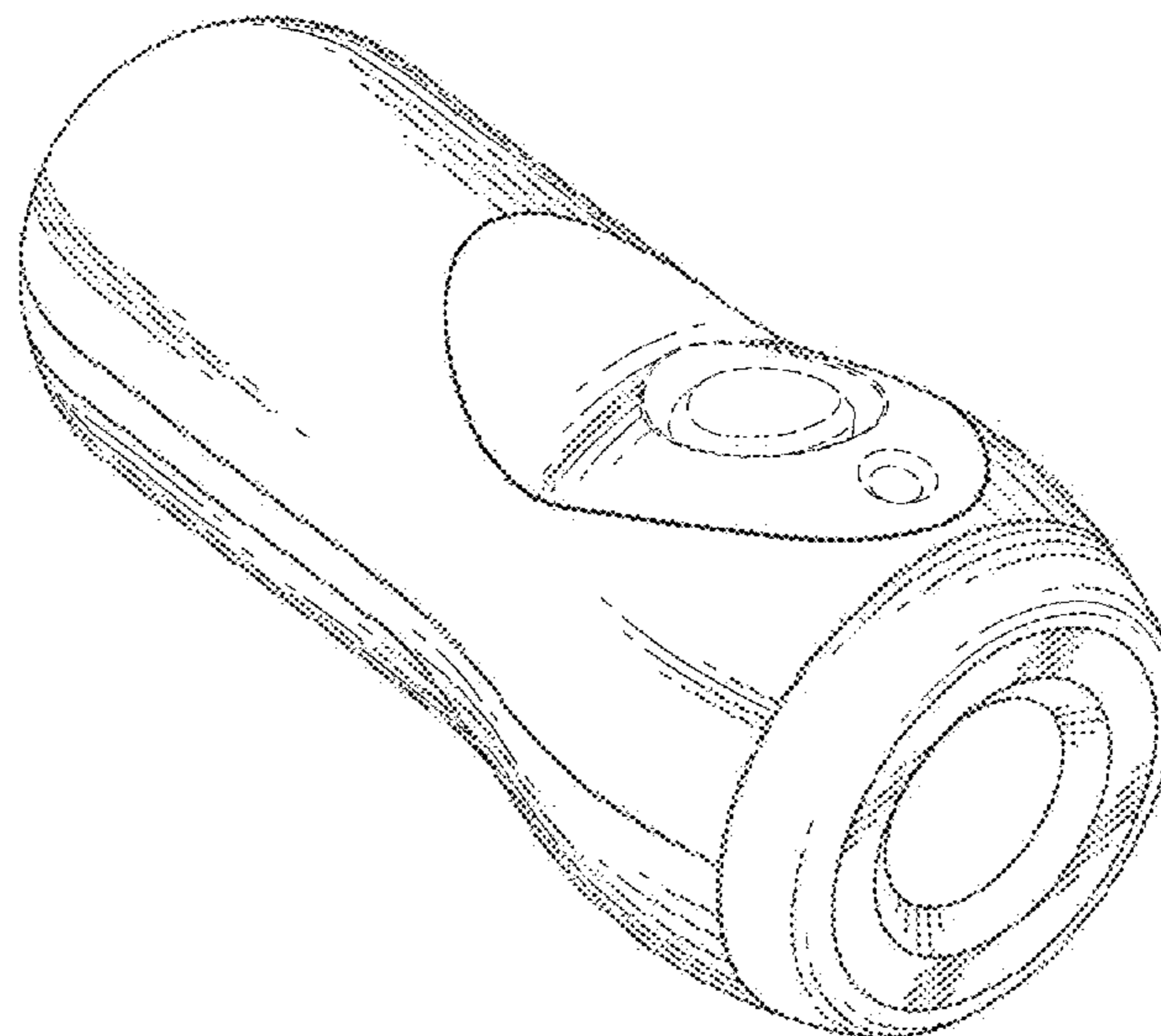
FIG. 6 is a top view thereof; and,

FIG. 7 is a bottom view thereof.

The structural features depicted by broken lines have been shown for the purpose of illustrating portions of the handheld ultrasonic bark controller that form no part of the claimed design.

See application file for complete search history.

1 Claim, 2 Drawing Sheets



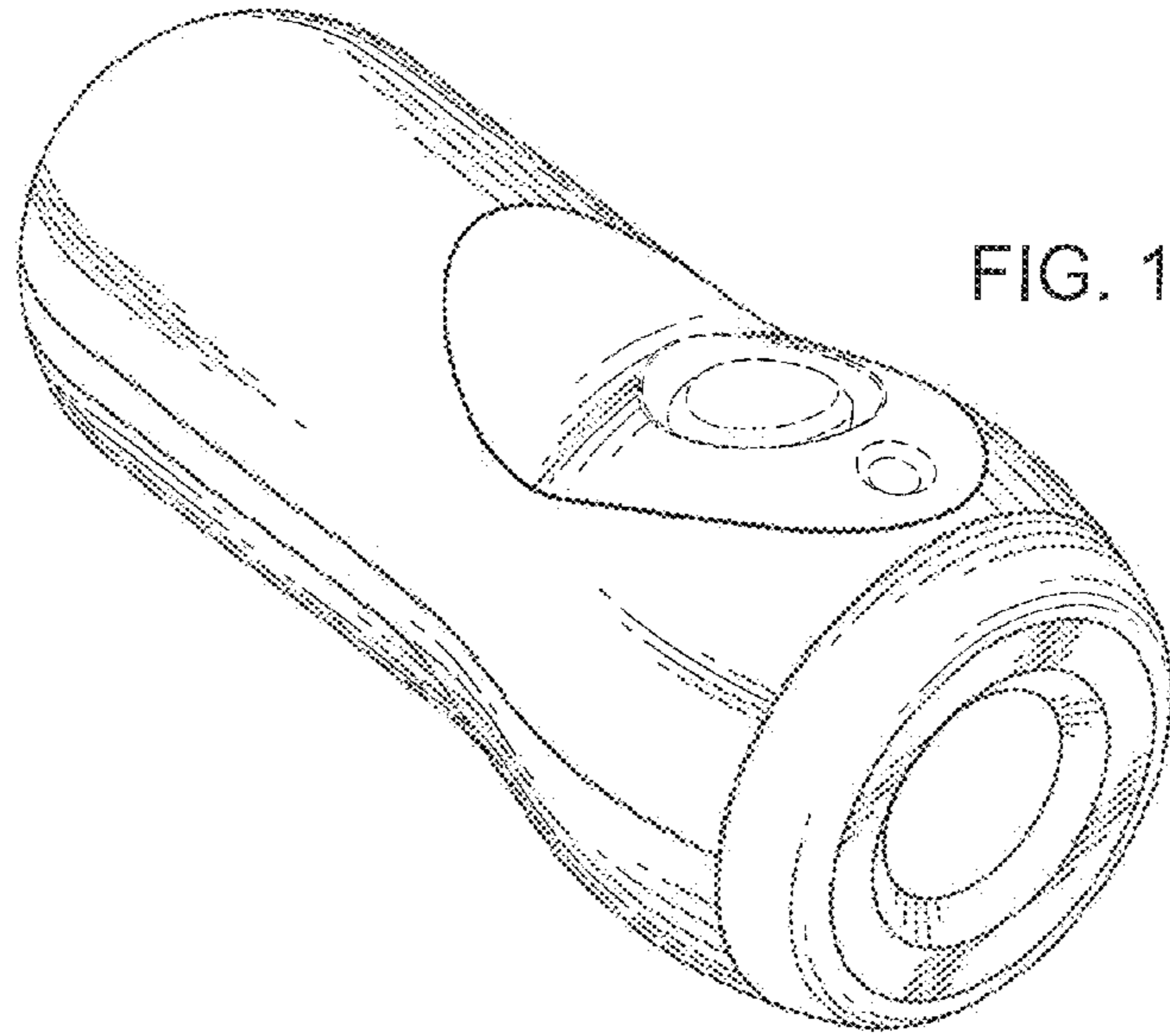


FIG. 2

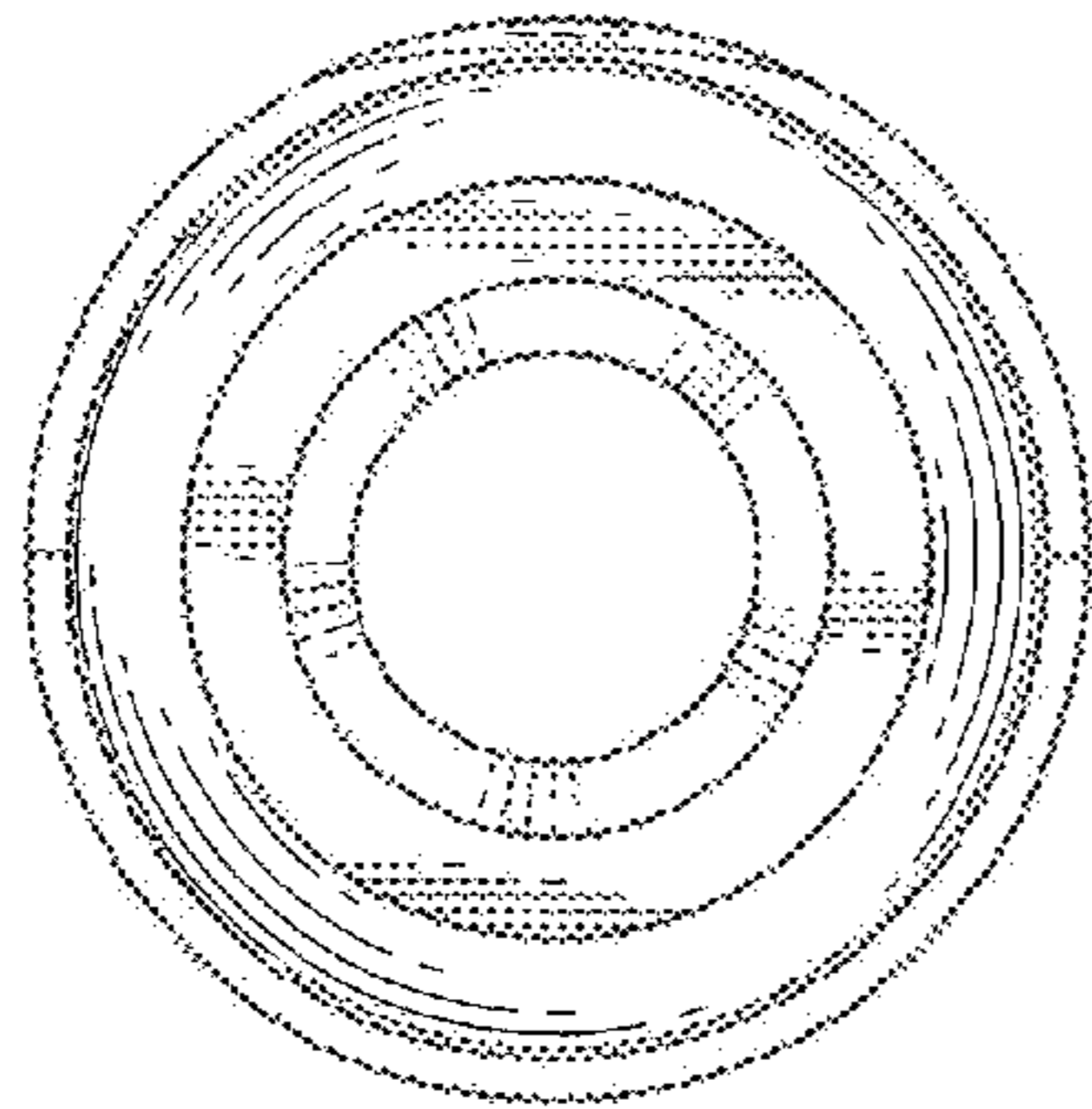


FIG. 3

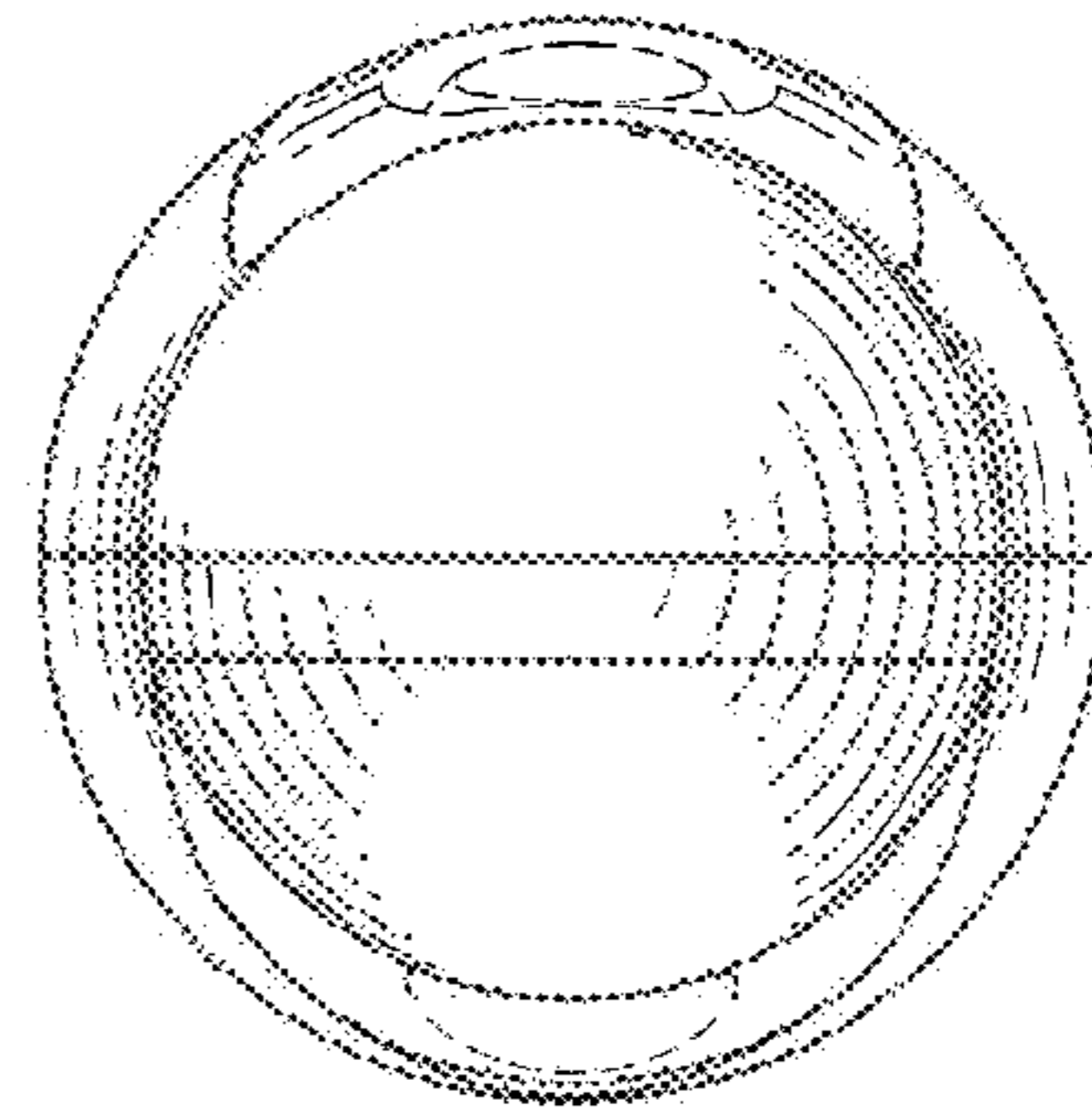


FIG. 4

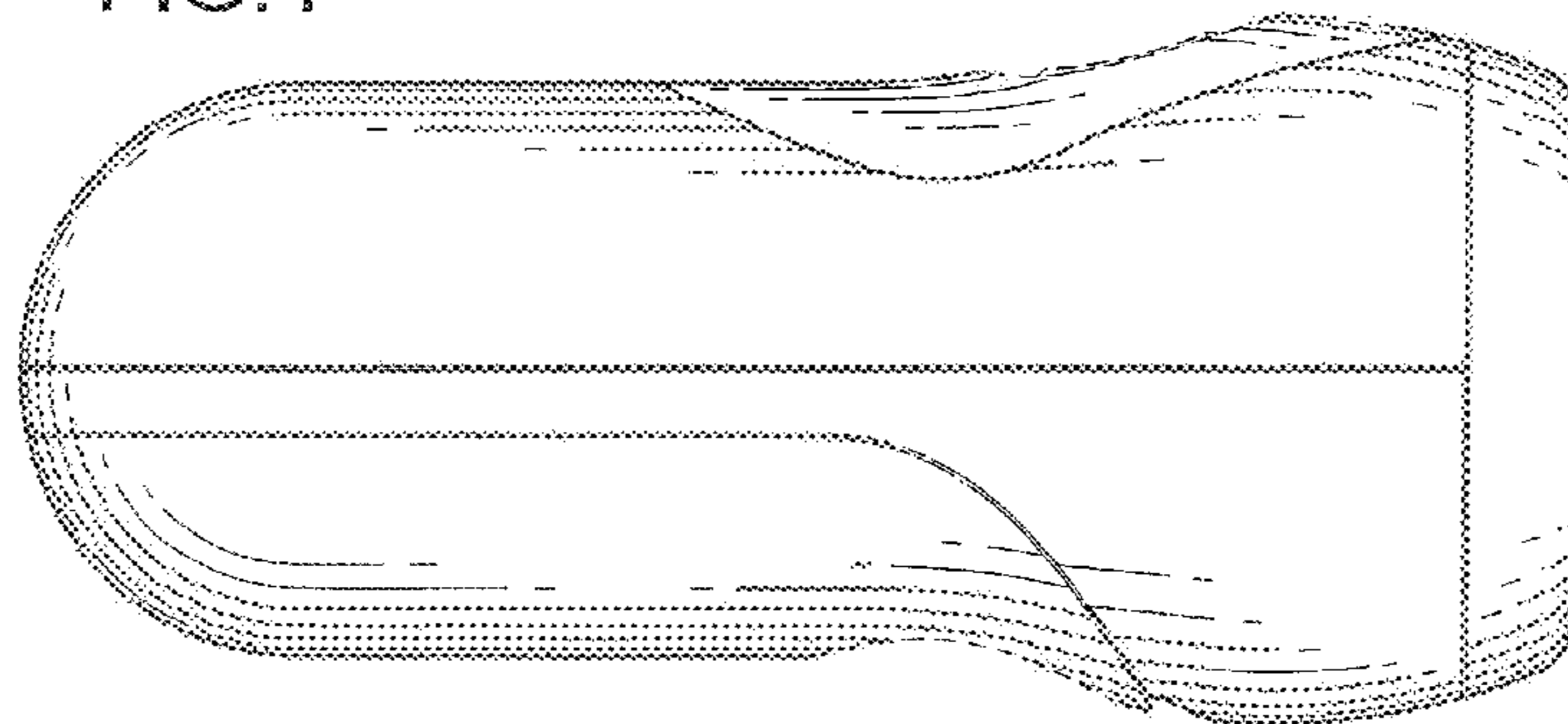


FIG. 5

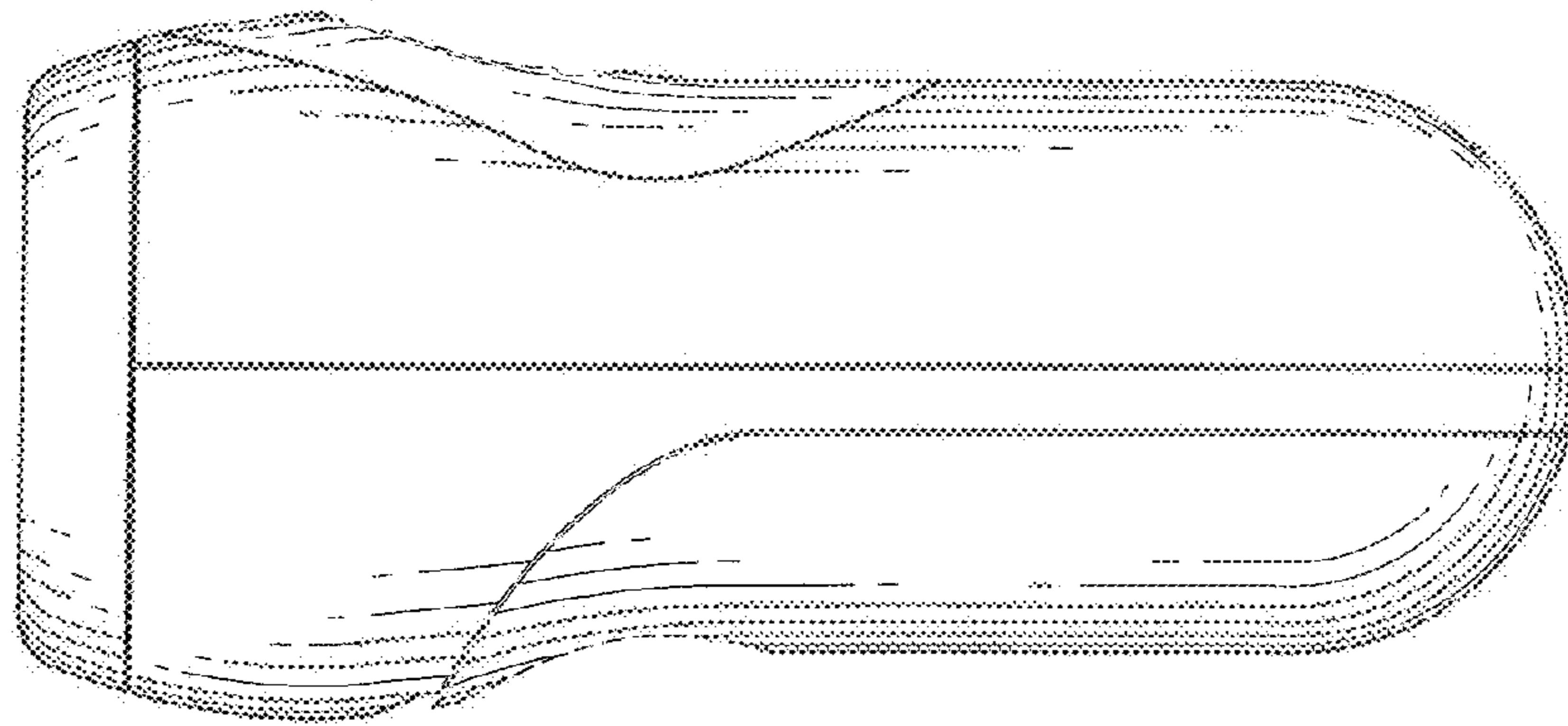


FIG. 6

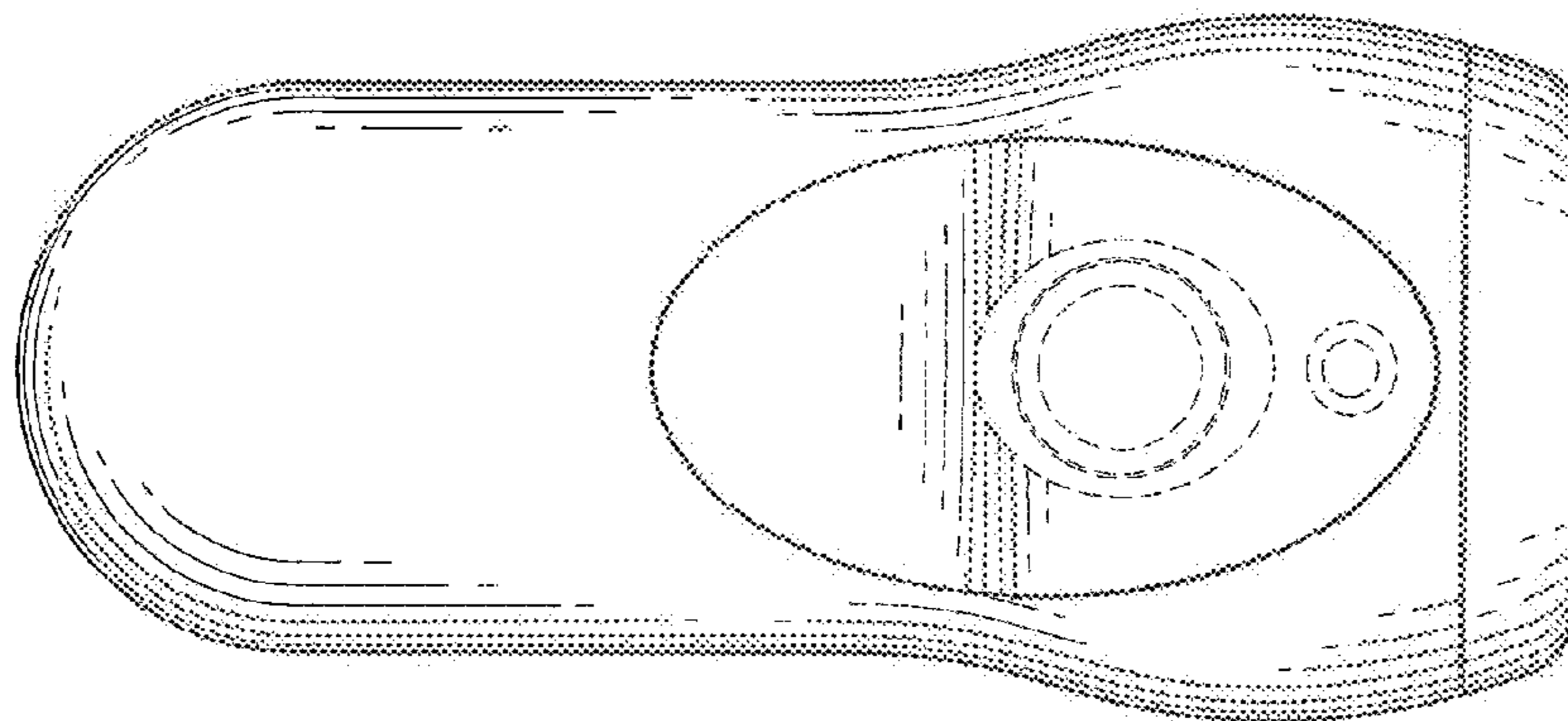


FIG. 7

