



US00D708794S

(12) **United States Design Patent**
Monsalve et al.

(10) **Patent No.:** **US D708,794 S**
(45) **Date of Patent:** **** Jul. 8, 2014**

- (54) **SEASONAL PET COLLAR**
- (71) Applicants: **Veronica Carmen Monsalve**, Dobbs
Ferry, NY (US); **Sheila Ann Chu**, Dobbs
Ferry, NY (US)
- (72) Inventors: **Veronica Carmen Monsalve**, Dobbs
Ferry, NY (US); **Sheila Ann Chu**, Dobbs
Ferry, NY (US)
- (**) Term: **14 Years**
- (21) Appl. No.: **29/477,362**
- (22) Filed: **Dec. 20, 2013**
- (51) **LOC (10) Cl.** **30-04**
- (52) **U.S. Cl.**
USPC **D30/152**
- (58) **Field of Classification Search**
CPC ... A01K 27/006; F21Y 2101/02; F21S 4/006;
F21V 21/145
USPC D30/144, 145, 151, 152, 153, 199;
119/792, 856, 857, 858, 859, 863, 864,
119/865; D26/37, 38, 39; 362/103, 108;
D2/891, 894; 455/456.1
See application file for complete search history.

D324,437	S	*	3/1992	Davis	D30/152
5,523,927	A	*	6/1996	Gokey	362/103
D379,252	S	*	5/1997	McIntosh	D30/152
5,950,571	A	*	9/1999	Schade	119/859
6,055,942	A	*	5/2000	Romanak et al.	119/859
D428,218	S	*	7/2000	Dehart	D30/152
6,557,498	B1	*	5/2003	Smierciak et al.	119/858
D503,997	S	*	4/2005	Sanchez, Jr.	D30/152
6,877,889	B2		4/2005	Peng et al.		
6,965,205	B2		11/2005	Piegras et al.		
7,140,327	B2	*	11/2006	Morehead	119/859
7,318,393	B2	*	1/2008	Ayscue	119/859
7,594,482	B1	*	9/2009	Toplin	119/792
2003/0094145	A1	*	5/2003	Cheng	119/859
2007/0103890	A1	*	5/2007	Morehead	362/103
2012/0252486	A1	*	10/2012	Lopez et al.	455/456.1

* cited by examiner

Primary Examiner — Caron D Veynar
Assistant Examiner — Martie K Holtje

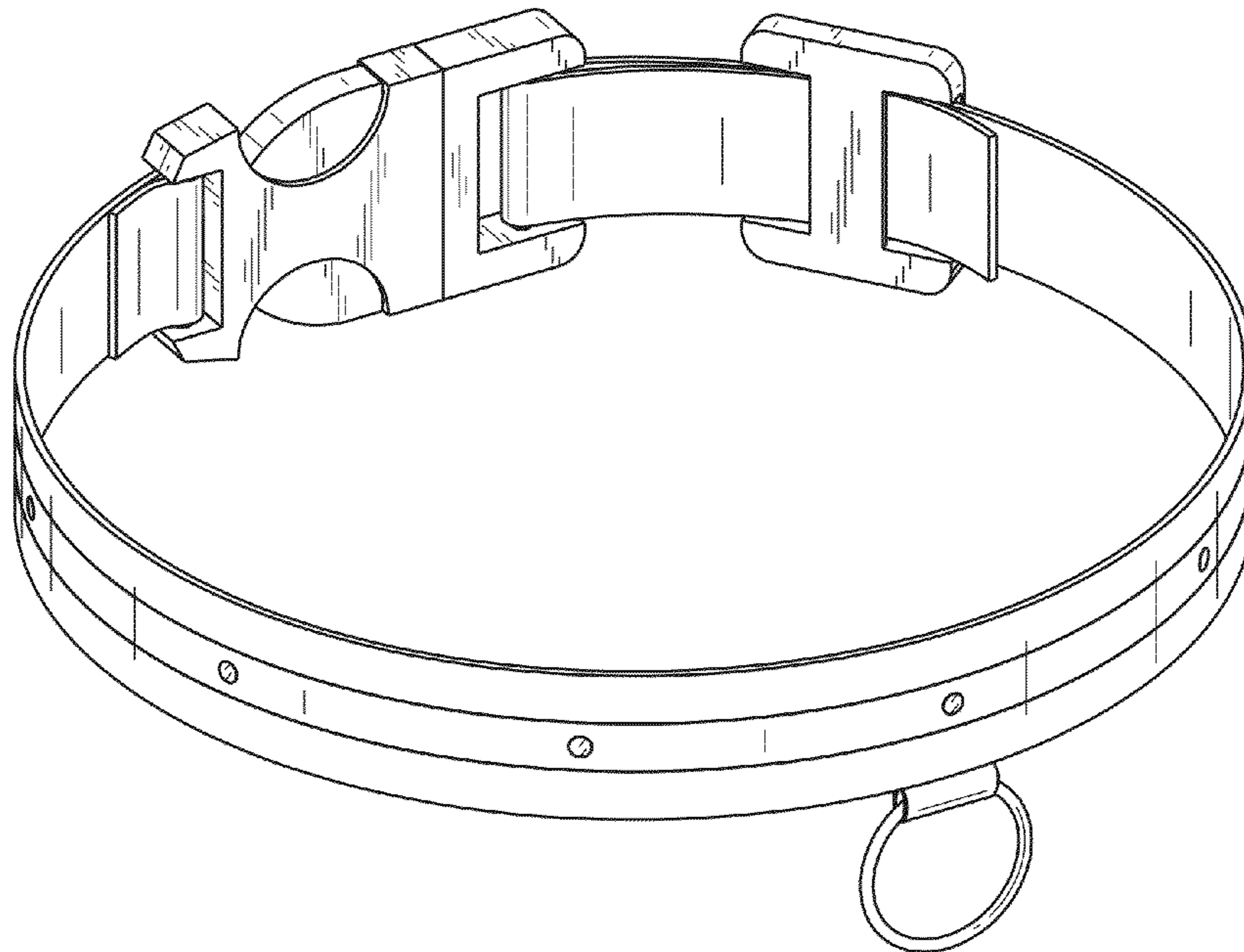
(57) **CLAIM**
The ornamental design for a seasonal pet collar, as shown and described.

DESCRIPTION

FIG. 1 is a top, left front perspective view of a seasonal pet collar showing our new design;
FIG. 2 is a front elevational view thereof;
FIG. 3 is a rear elevational view thereof;
FIG. 4 is a left side elevational view thereof;
FIG. 5 is a right side elevational view thereof;
FIG. 6 is a top plan view thereof; and,
FIG. 7 is a bottom plan view thereof.

1 Claim, 4 Drawing Sheets

- (56) **References Cited**
U.S. PATENT DOCUMENTS
- | | | | | | | |
|-----------|---|---|---------|-------------|-------|---------|
| 3,944,803 | A | * | 3/1976 | Chao | | 362/108 |
| 4,173,201 | A | * | 11/1979 | Chao et al. | | 119/859 |
| 4,895,110 | A | * | 1/1990 | LoCascio | | 119/859 |
| 4,903,176 | A | * | 2/1990 | Chen | | 362/103 |
| 4,909,189 | A | * | 3/1990 | Minotti | | 119/859 |



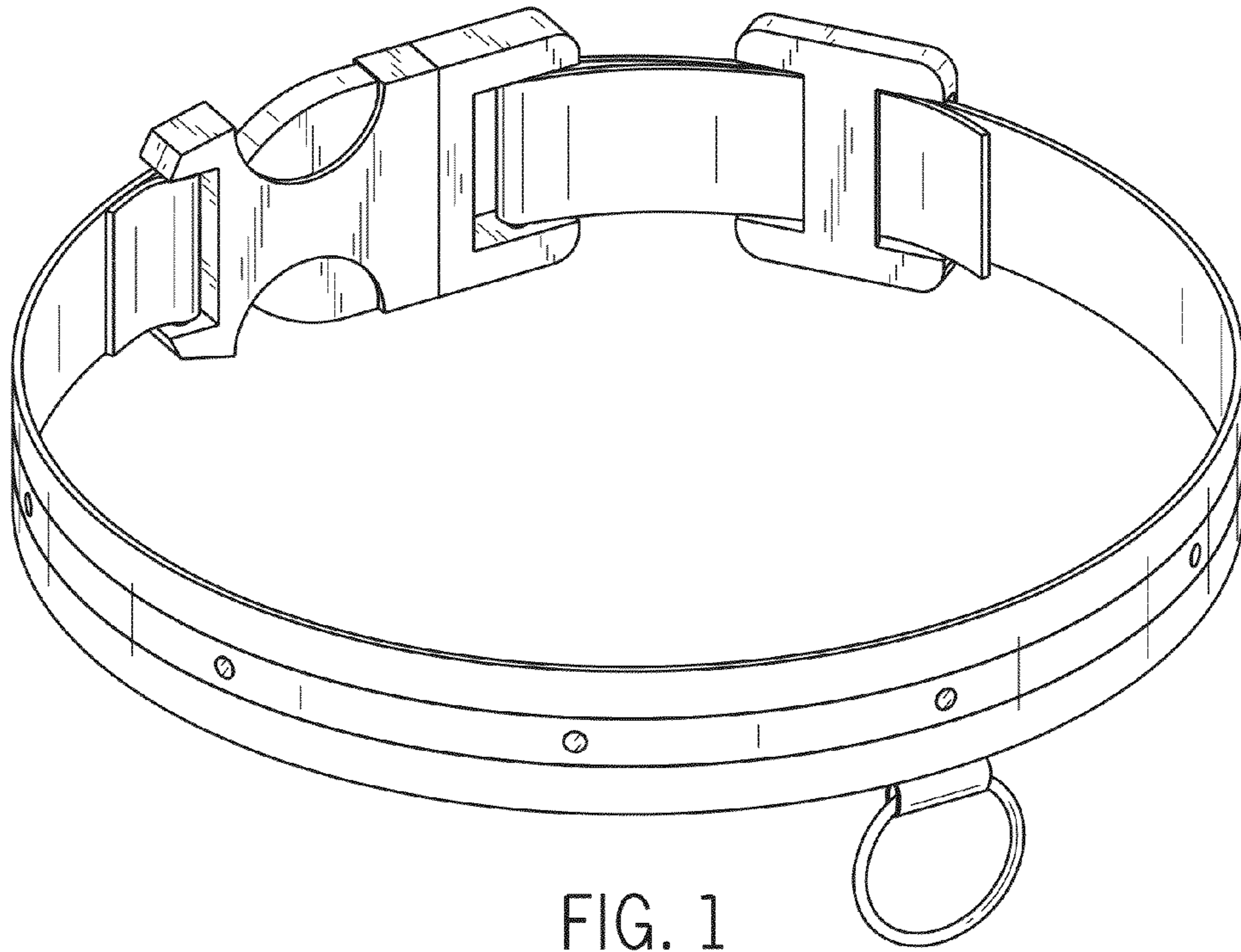


FIG. 1

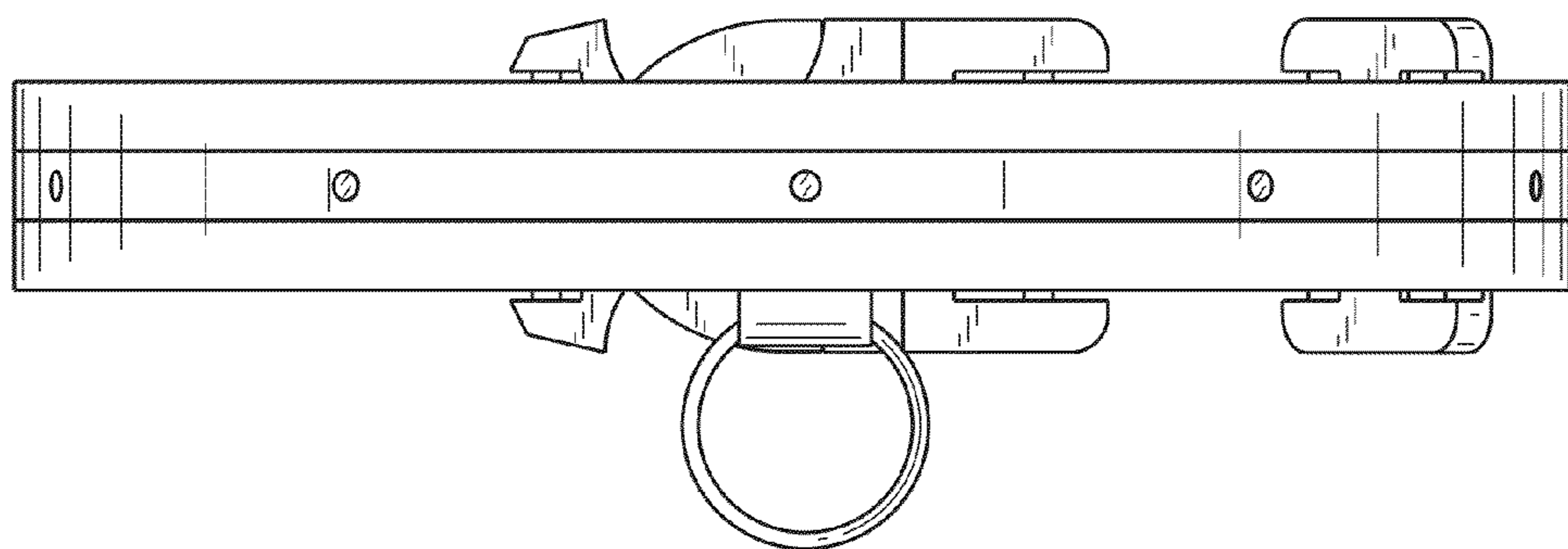


FIG. 2

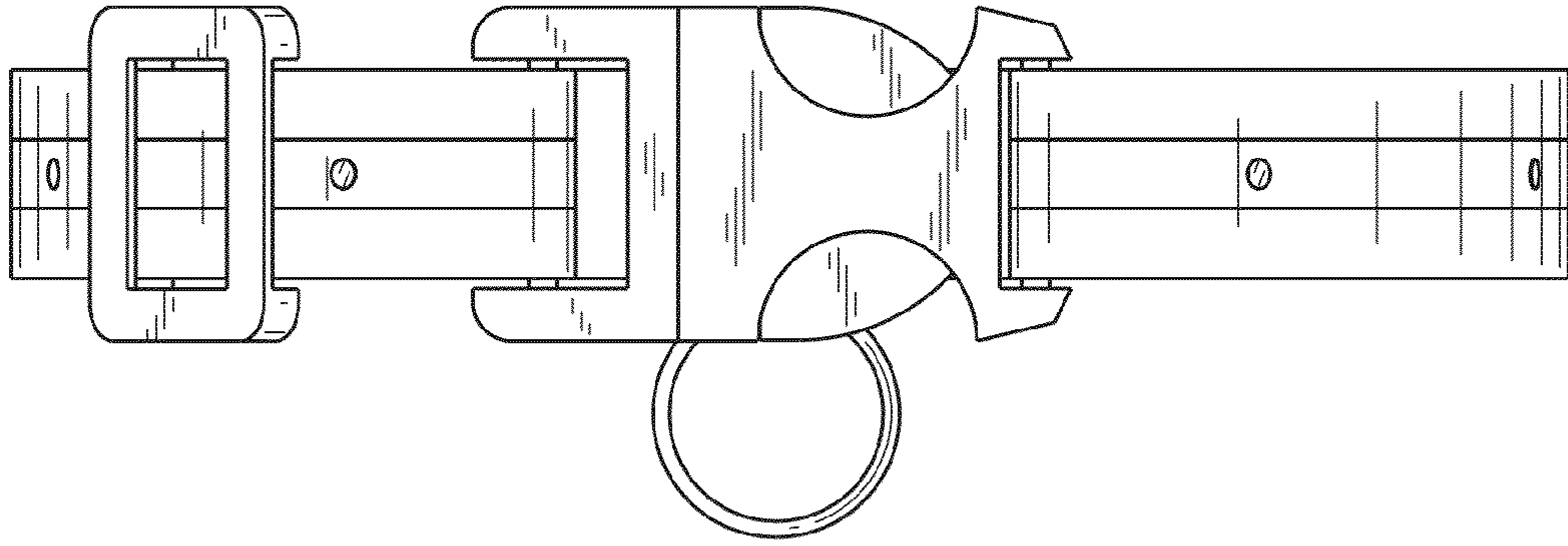


FIG. 3

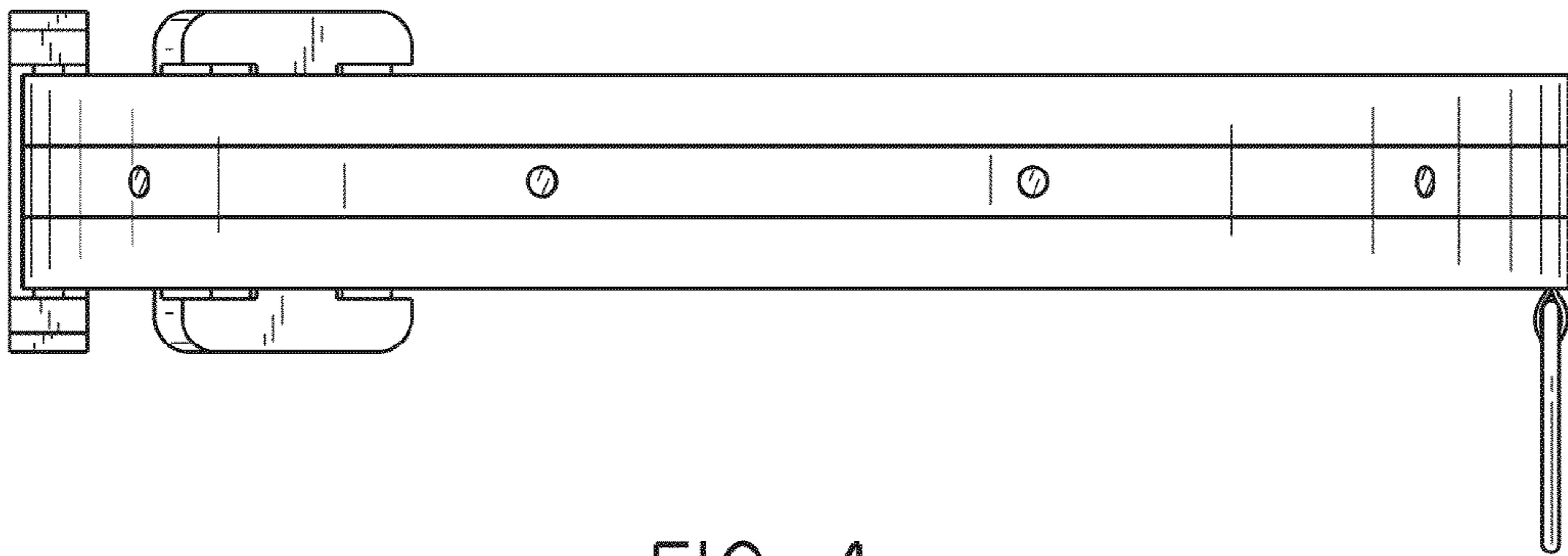


FIG. 4

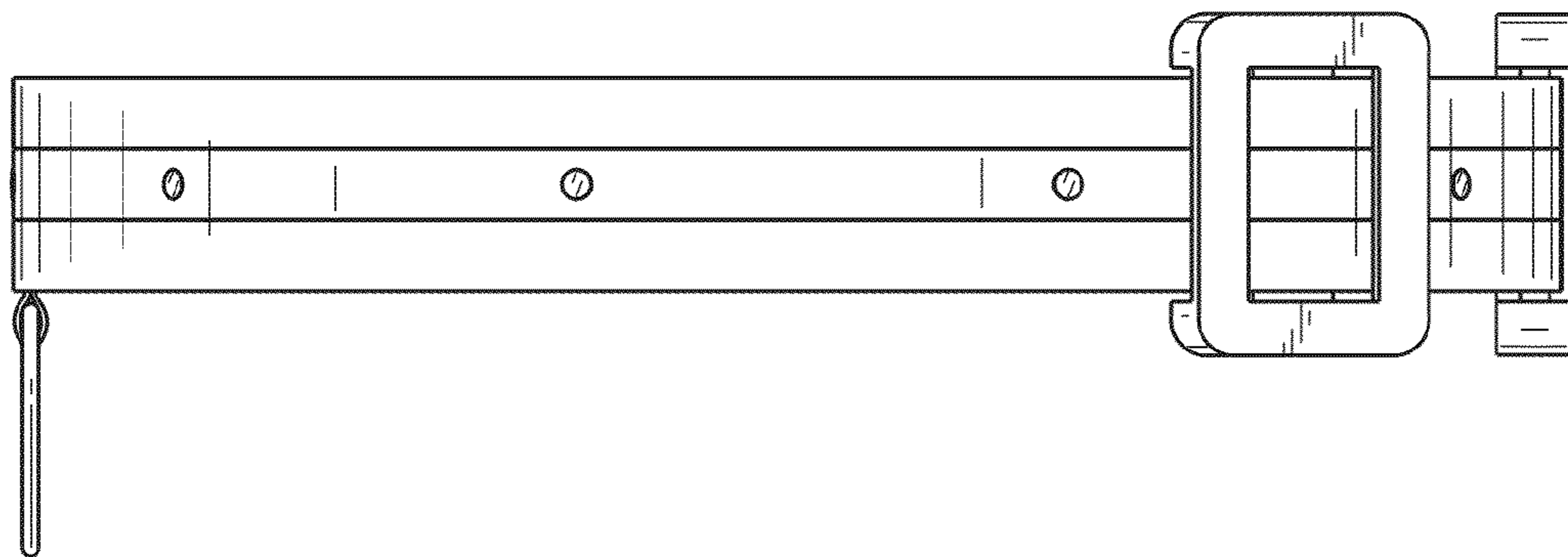


FIG. 5

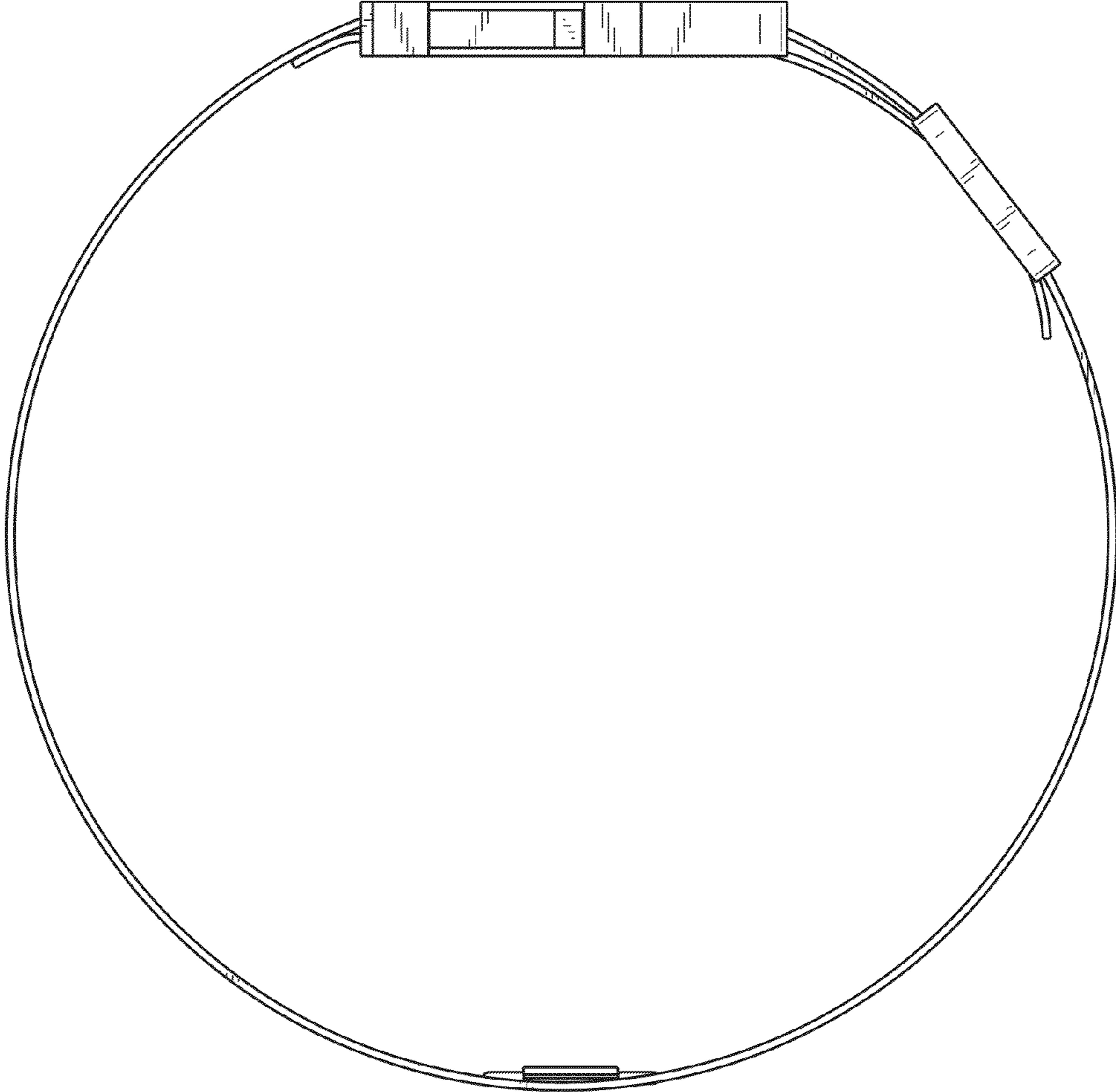


FIG. 6

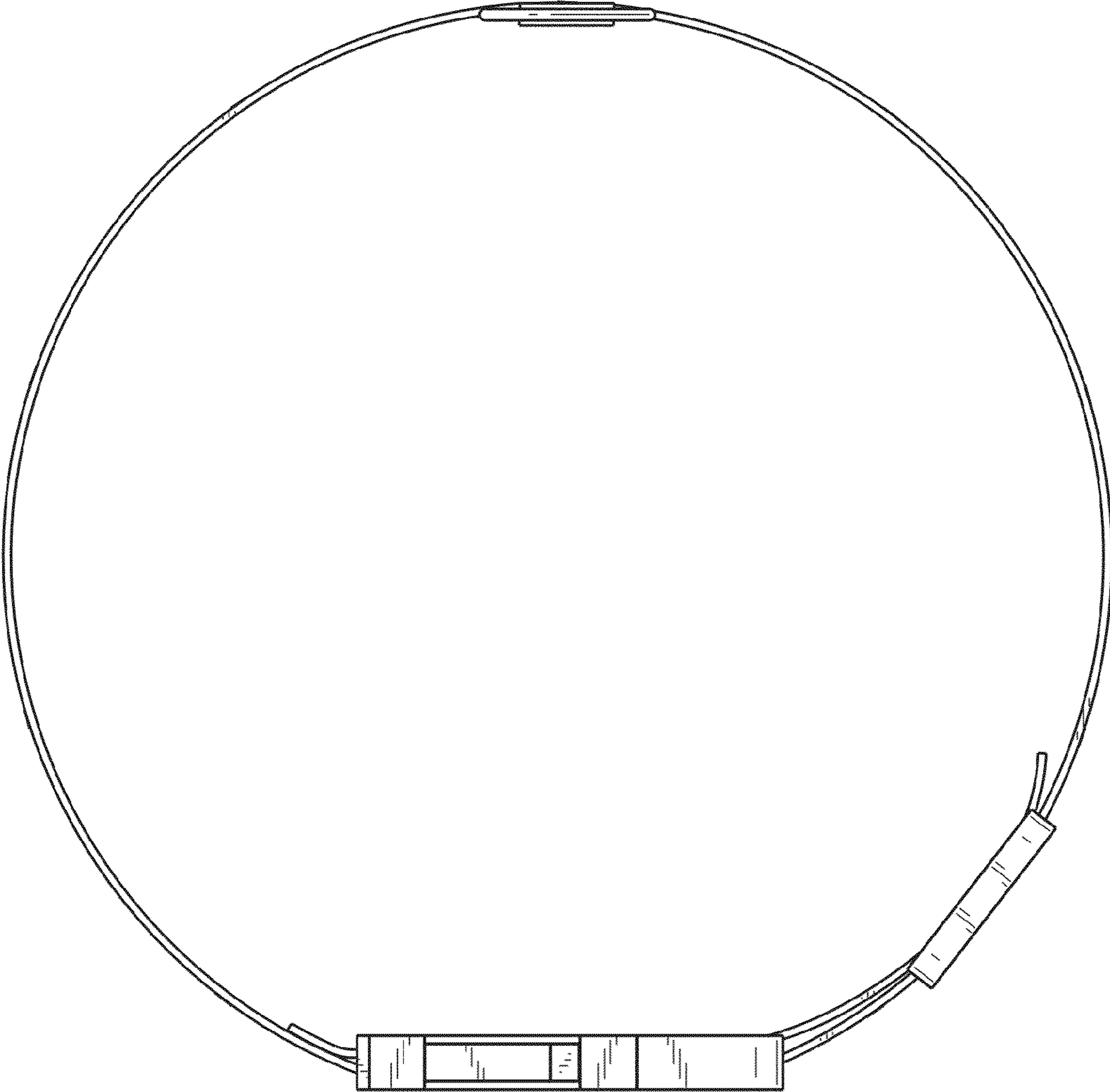


FIG. 7