



US00D708791S

(12) **United States Design Patent**  
**Schlatter**

(10) **Patent No.:** **US D708,791 S**

(45) **Date of Patent:** **\*\* Jul. 8, 2014**

(54) **LIP BALM CONTAINER**

(71) Applicant: **Oralabs, Inc.**, Parker, CO (US)

(72) Inventor: **Gary Schlatter**, Englewood, CO (US)

(73) Assignee: **Oralabs, Inc.**, Parker, CO (US)

(\*\*) Term: **14 Years**

(21) Appl. No.: **29/473,641**

(22) Filed: **Nov. 25, 2013**

(51) **LOC (10) Cl.** ..... **28-03**

(52) **U.S. Cl.**  
USPC ..... **D28/89**; D28/90; D9/519; D9/529;  
D9/551

(58) **Field of Classification Search**

CPC ..... A45D 34/06; A45D 34/045; A45D 34/04;  
A45D 34/041; A45D 34/042-34/048; A45D  
33/12; A45D 40/26; A45D 40/261; A45D  
2040/0012; A45D 2200/1009; A45D  
2200/108; A45D 2200/1036  
USPC ..... D28/76, 85-90, 77, 7, 83; 132/317,  
132/320, 318; 206/581, 823, 385; 401/68,  
401/88, 98, 126-130, 205-220; D9/726,  
D9/503-504, 519, 551, 529  
See application file for complete search history.

(56) **References Cited**

**U.S. PATENT DOCUMENTS**

D166,827 S *	5/1952	Schluttig	.....	D28/76
D321,319 S *	11/1991	Giuseppe	.....	D9/519
D612,245 S *	3/2010	Canamasas Puigbo	.....	D9/519
D631,204 S *	1/2011	Dubitsky et al.	.....	D28/82
D644,939 S *	9/2011	Teller	.....	D9/726
D681,278 S *	4/2013	Schlatter	.....	D28/89
8,651,308 B1 *	2/2014	Sung	.....	220/4.25
2007/0017915 A1 *	1/2007	Weder et al.	.....	220/4.21

\* cited by examiner

*Primary Examiner* — Jennifer Rivard

(74) *Attorney, Agent, or Firm* — Welsh Flaxman & Gitler LLC

(57) **CLAIM**

The ornamental design for a lip balm container, as shown and described.

**DESCRIPTION**

FIG. 1 is a side perspective view of the lip balm container from a position slightly above a horizontal bisecting plane of the lip balm container.

FIG. 2 is a top view of the lip balm container.

FIG. 3 is a side perspective view of the lip balm container from a position slightly below a horizontal bisecting plane of the lip balm container.

FIG. 4 is a bottom view of the lip balm container.

FIG. 5 is a side view of the lip balm container.

FIG. 6 is a side view of the lip balm container from a position diametrically opposite that shown in FIG. 5.

FIG. 7 is a side view of the lip balm container from a position 90° offset in a counter-clockwise direction from that shown in FIG. 5.

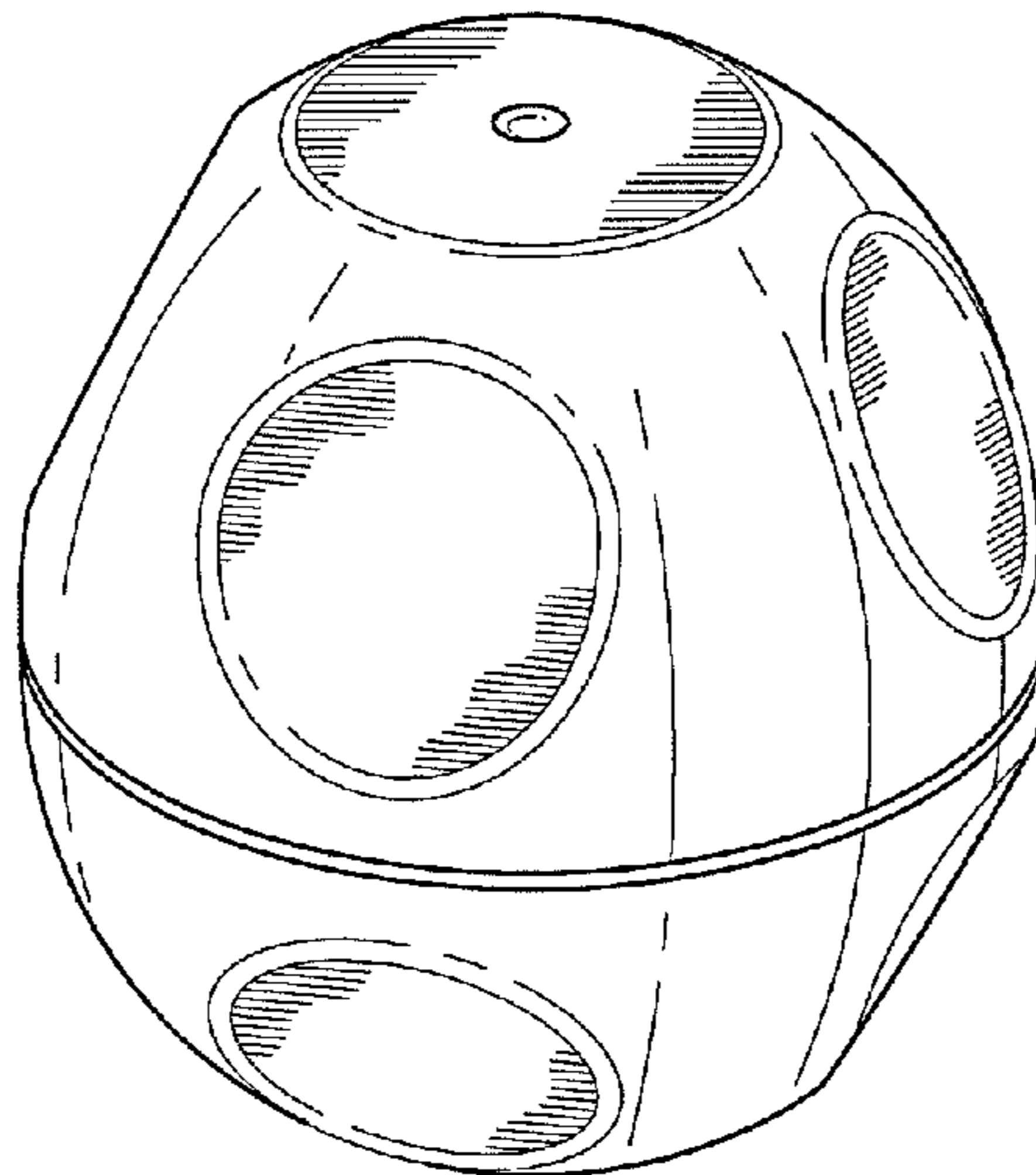
FIG. 8 is a side view of the lip balm container from a position diametrically opposite that shown in FIG. 7.

FIG. 9 is a side perspective view of the lip balm container from a position slightly above a horizontal bisecting plane of the lip balm container with the top removed; and,

FIG. 10 is a side view of the lip balm container with the top removed from the same position as applied in FIG. 5.

The bottom portion of the lip balm container is disclosed separately for convenience of illustration. The broken lines shown in the drawings illustrate portions of the article and form no part of the claimed design.

**1 Claim, 3 Drawing Sheets**



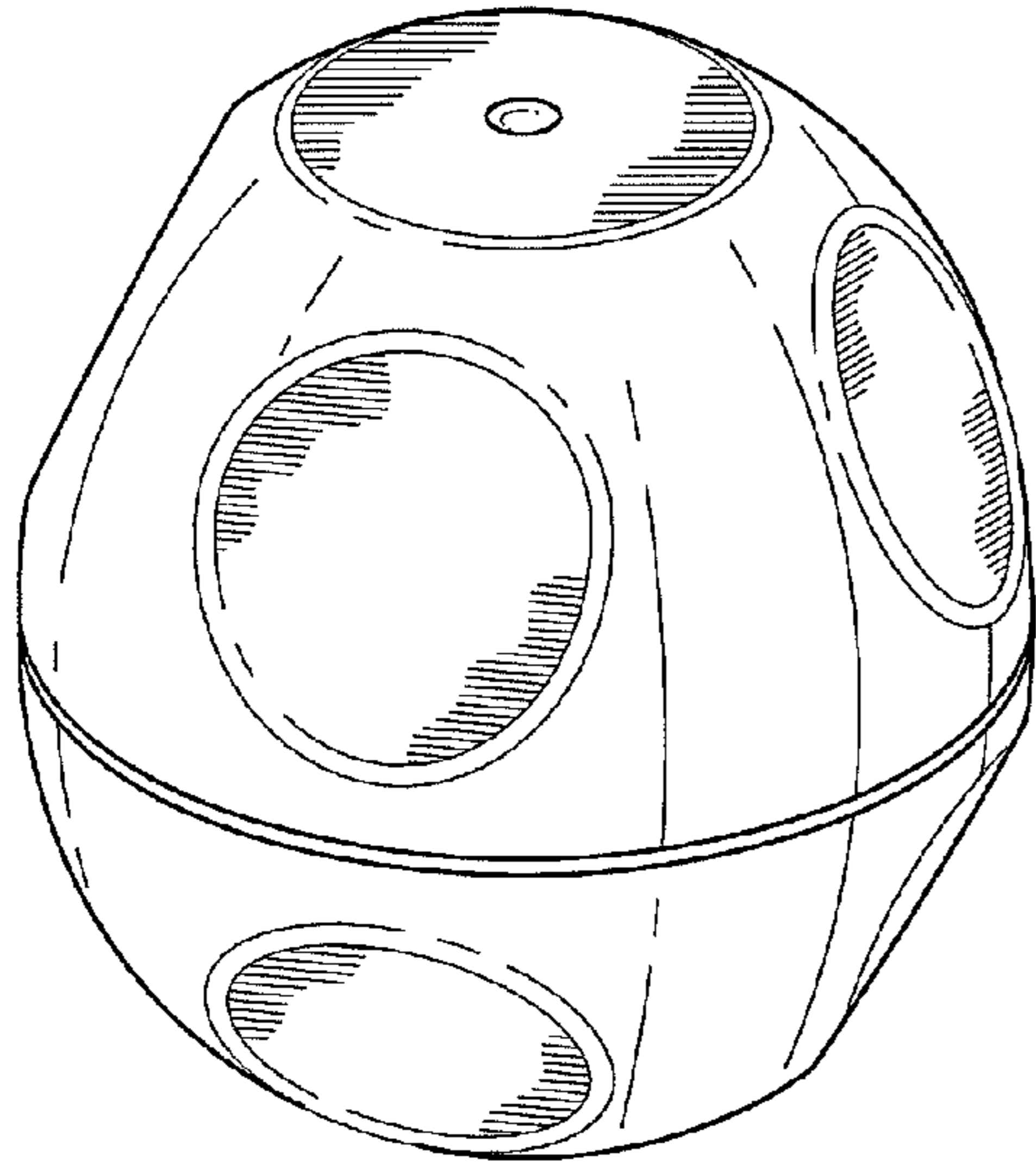


FIG. 1

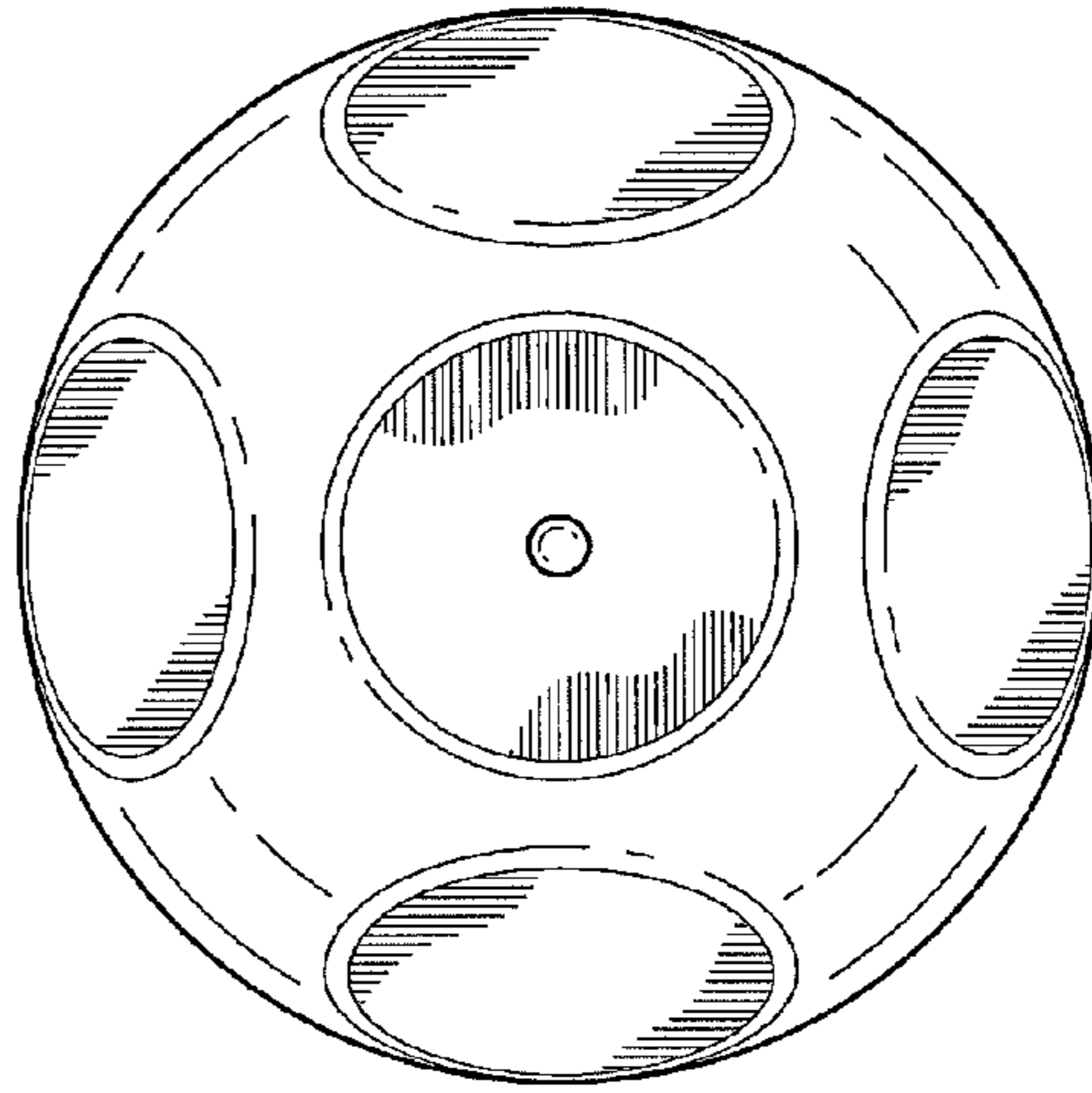


FIG. 2

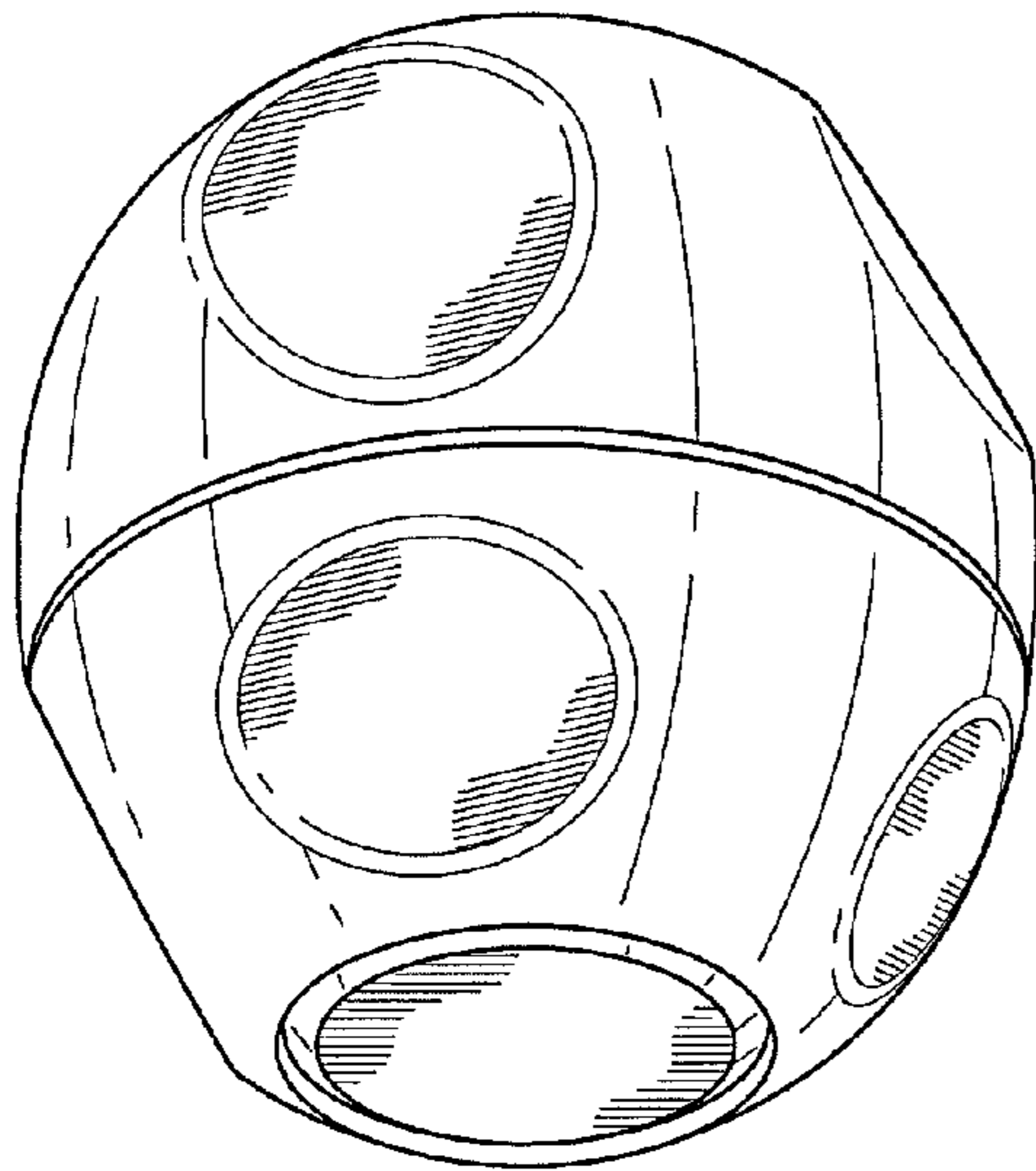


FIG. 3

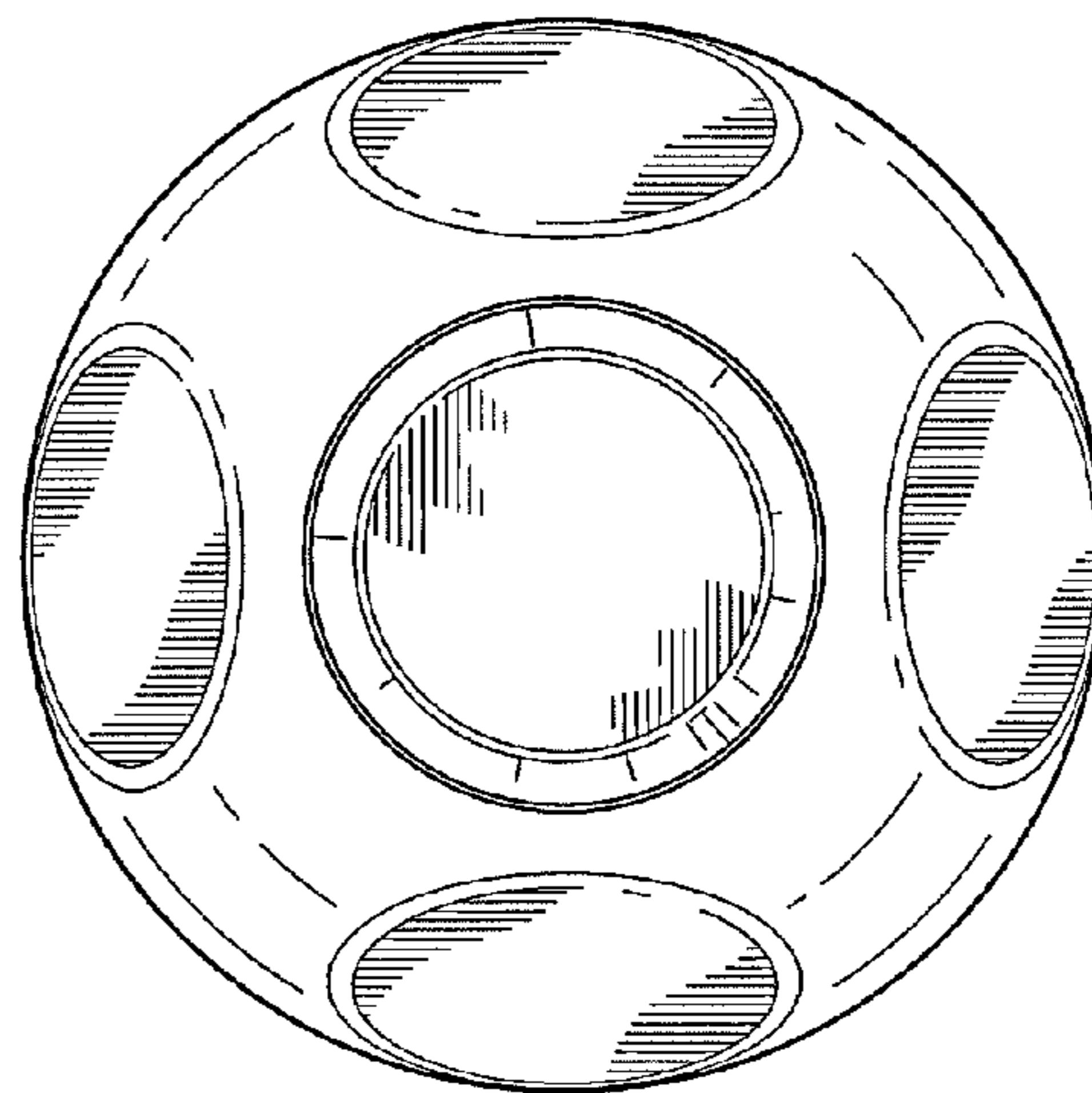


FIG. 4

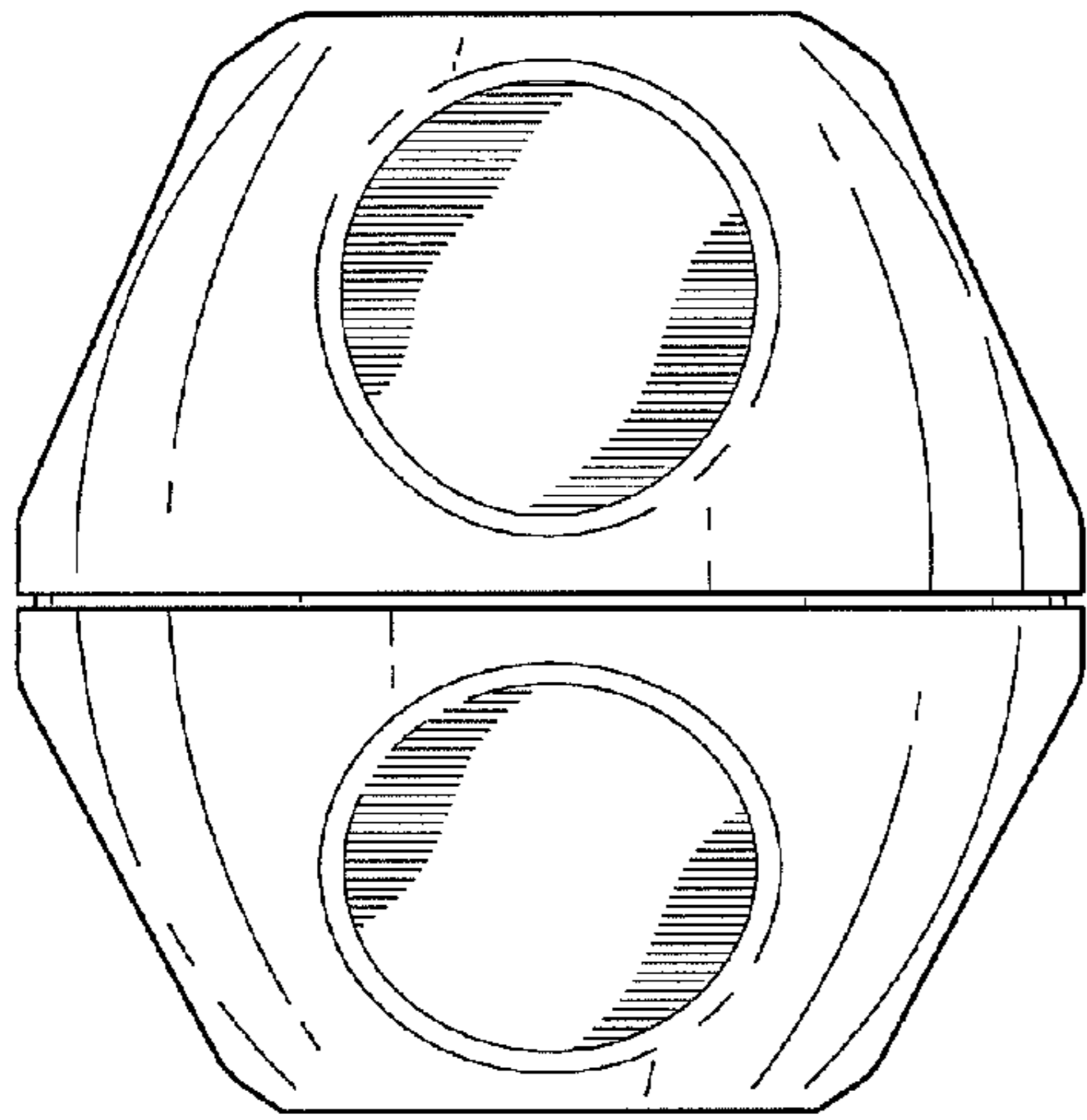


FIG. 5

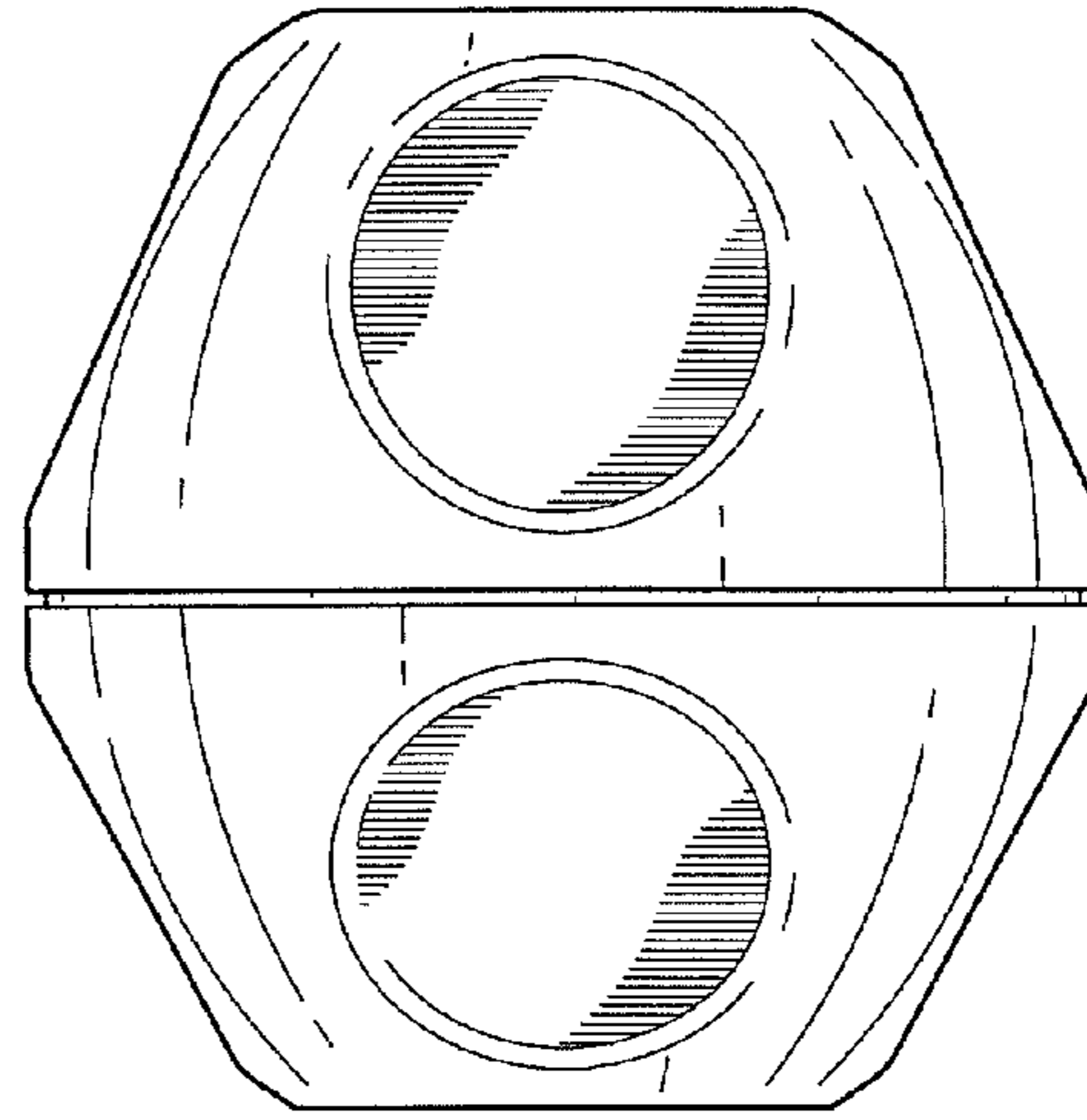


FIG. 6

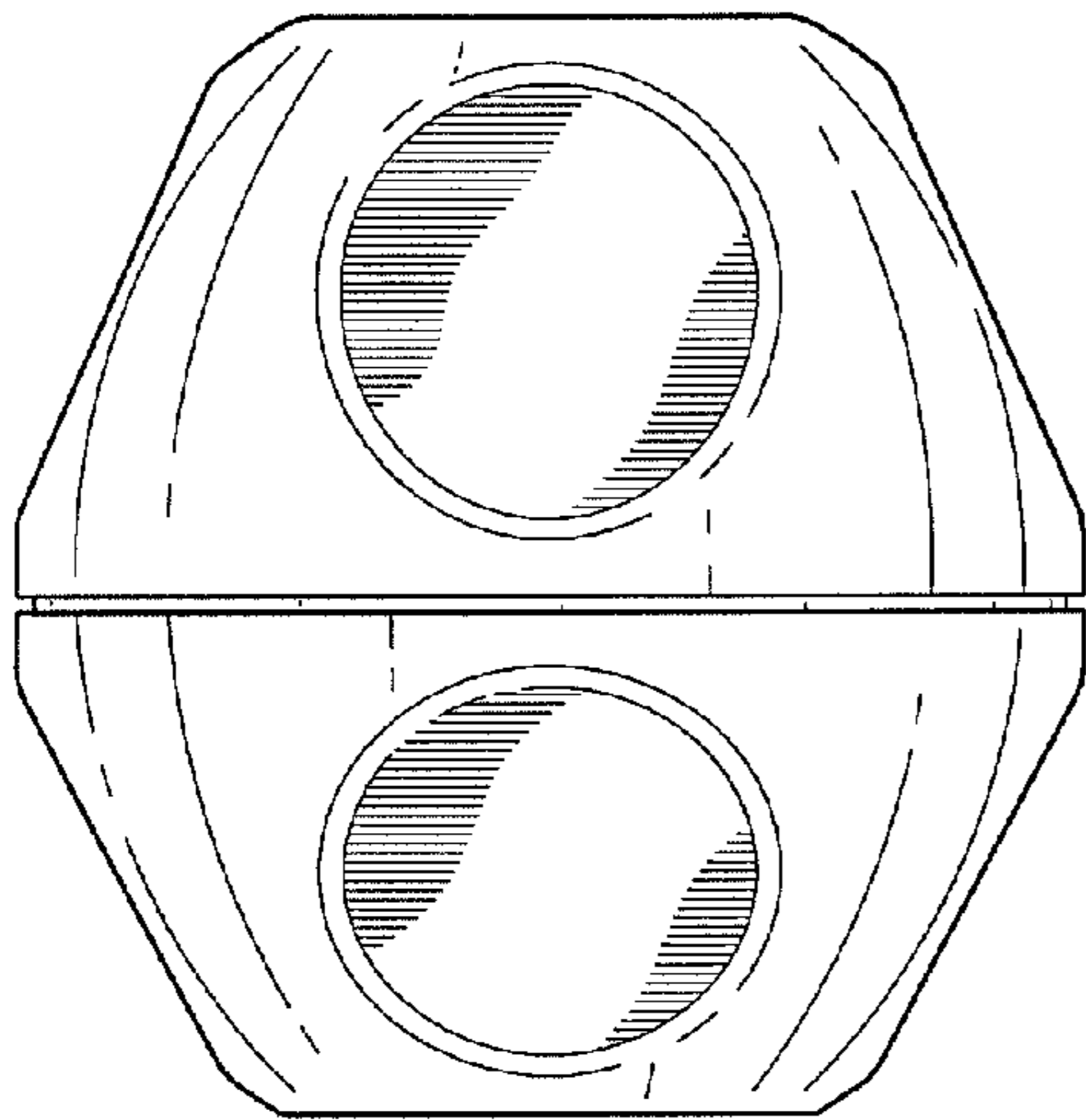


FIG. 7

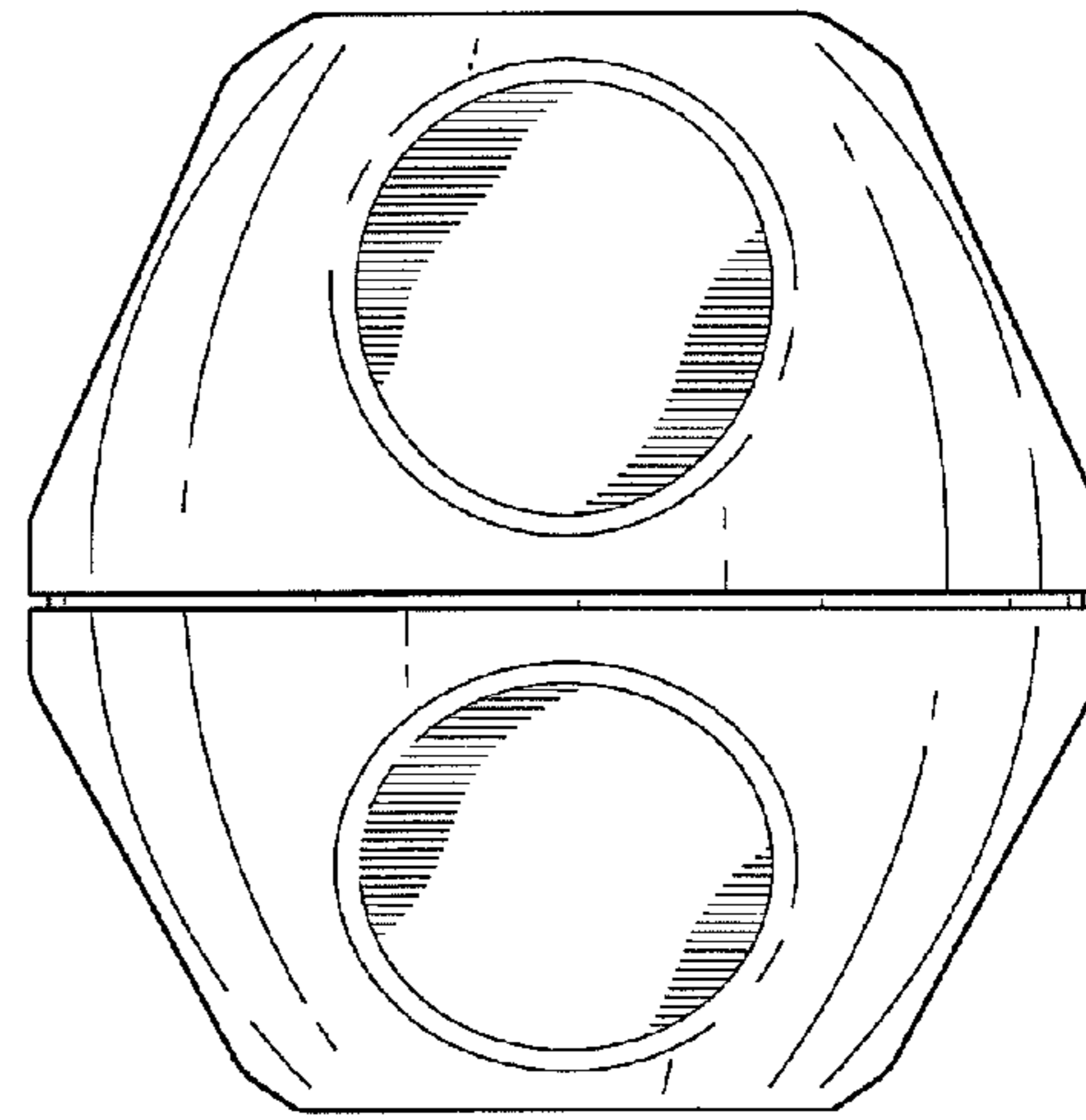


FIG. 8

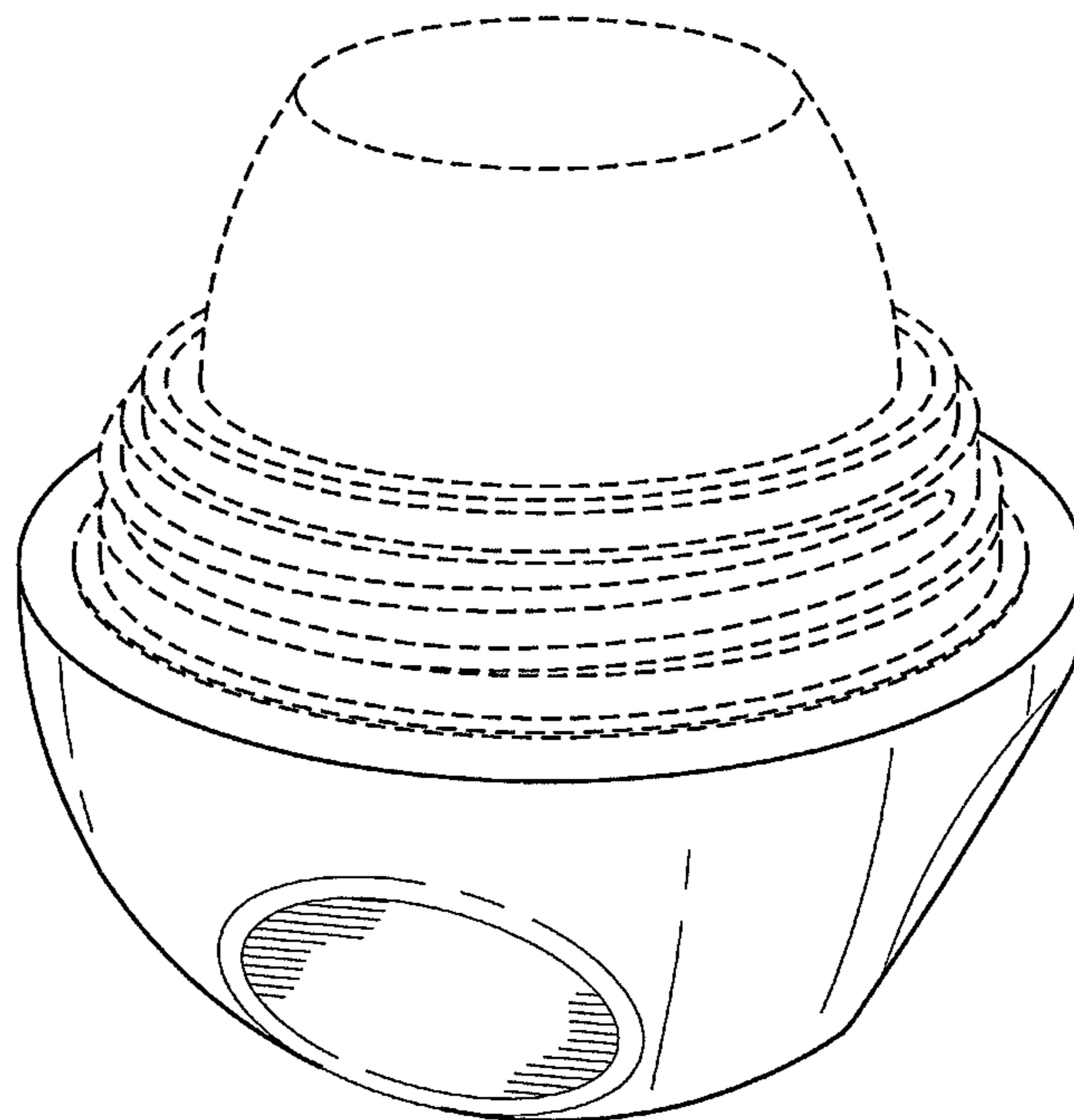


FIG. 9

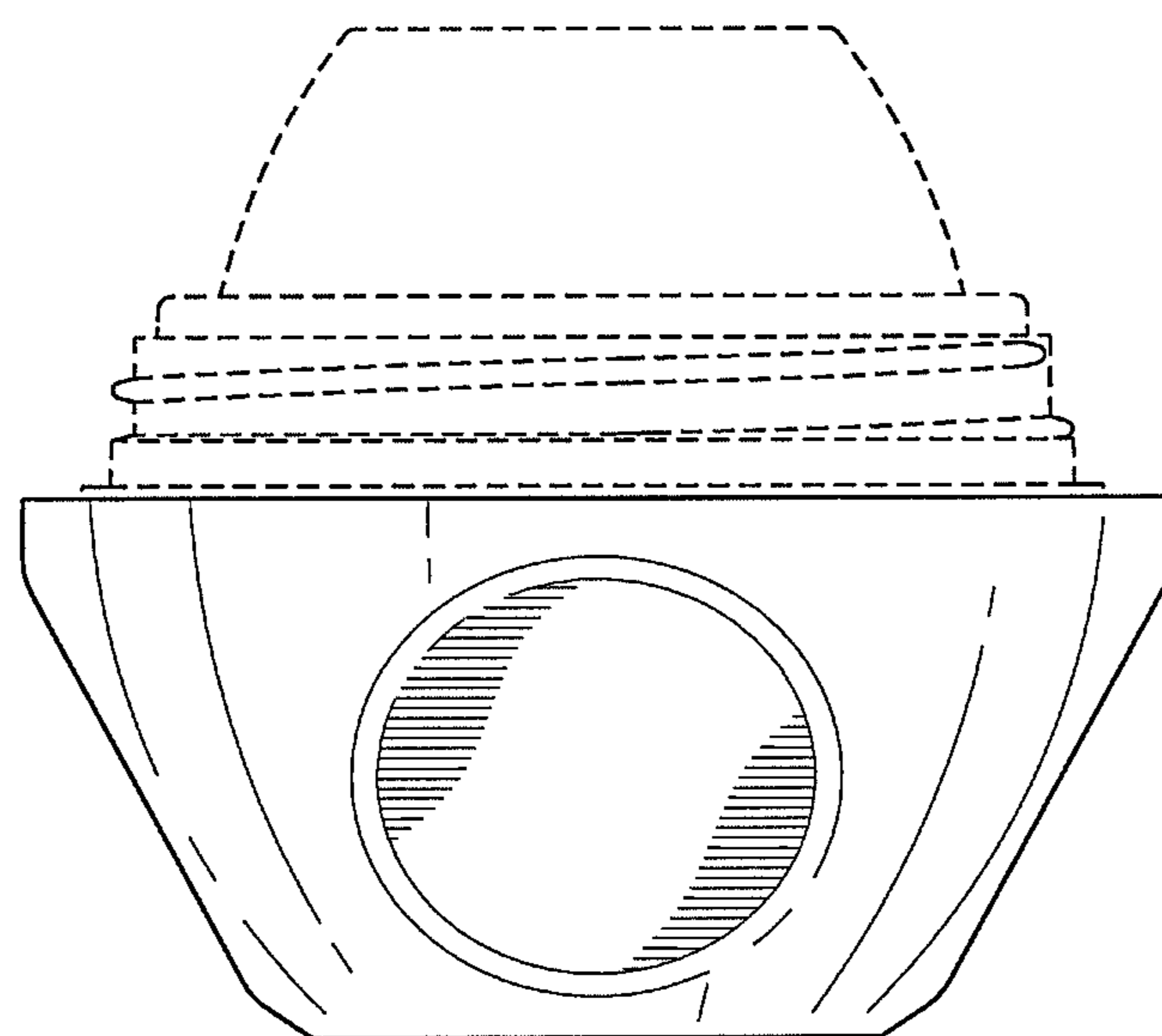


FIG. 10