



US00D708790S

(12) **United States Design Patent**  
**Schlatter**

(10) **Patent No.:** **US D708,790 S**  
(45) **Date of Patent:** **\*\* Jul. 8, 2014**

(54) **LIP BALM CONTAINER**

(71) Applicant: **Oralabs, Inc.**, Parker, CO (US)

(72) Inventor: **Gary Schlatter**, Englewood, CO (US)

(73) Assignee: **Oralabs, Inc.**, Parker, CO (US)

(\*\*) Term: **14 Years**

(21) Appl. No.: **29/473,640**

(22) Filed: **Nov. 25, 2013**

(51) **LOC (10) Cl.** ..... **28-03**

(52) **U.S. Cl.**  
USPC ..... **D28/89; D28/90; D9/519; D9/529;**  
D9/556

(58) **Field of Classification Search**

CPC ..... A45D 34/06; A45D 34/04; A45D 34/041;  
A45D 34/042-34/048; A45D 33/12; A45D  
40/26; A45D 40/261; A45D 2040/0012;  
A45D 2200/1009; A45D 2200/1018;  
A45D 2200/1036

USPC ..... D28/76, 85-90, 77, 7, 83; 132/317,  
132/320, 318; 206/581, 823, 385; 401/68,  
401/88, 98, 126-130, 205-220; D9/726,  
D9/503-504, 519, 529, 556

See application file for complete search history.

(56) **References Cited**

**U.S. PATENT DOCUMENTS**

D166,827 S \* 5/1952 Gregorietti ..... D15/144.2  
D230,954 S \* 3/1974 Gregoriette ..... D9/504  
4,021,125 A \* 5/1977 Berghahn et al. .... 401/213  
D321,319 S \* 11/1991 Giuseppe ..... D9/519  
D465,733 S \* 11/2002 Hill ..... D9/519  
D573,026 S \* 7/2008 Tsai ..... D9/519  
D612,245 S \* 3/2010 Canamasas Puigbo ..... D9/519  
D631,204 S \* 1/2011 Dubitsky et al. .... D28/82

D639,449 S \* 6/2011 Luburic ..... D25/1  
D644,939 S \* 9/2011 Teller ..... D9/726  
8,221,018 B2 \* 7/2012 Steinhagen et al. .... 401/216

(Continued)

*Primary Examiner* — Jennifer Rivard

(74) *Attorney, Agent, or Firm* — Welsh Flaxman & Gitler  
LLC

(57) **CLAIM**

The ornamental design for a lip balm container, as shown and  
described.

**DESCRIPTION**

FIG. 1 is a side perspective view of the lip balm container  
from a position slightly above a horizontal bisecting plane of  
the lip balm container.

FIG. 2 is a top view of the lip balm container.

FIG. 3 is a side perspective view of the lip balm container  
from a position slightly below a horizontal bisecting plane of  
the lip balm container.

FIG. 4 is a bottom view of the lip balm container.

FIG. 5 is a side view of the lip balm container.

FIG. 6 is a side view of the lip balm container from a position  
diametrically opposite that shown in FIG. 5.

FIG. 7 is a side view of the lip balm container from a position  
90° offset in a counter-clockwise direction from that shown in  
FIG. 5.

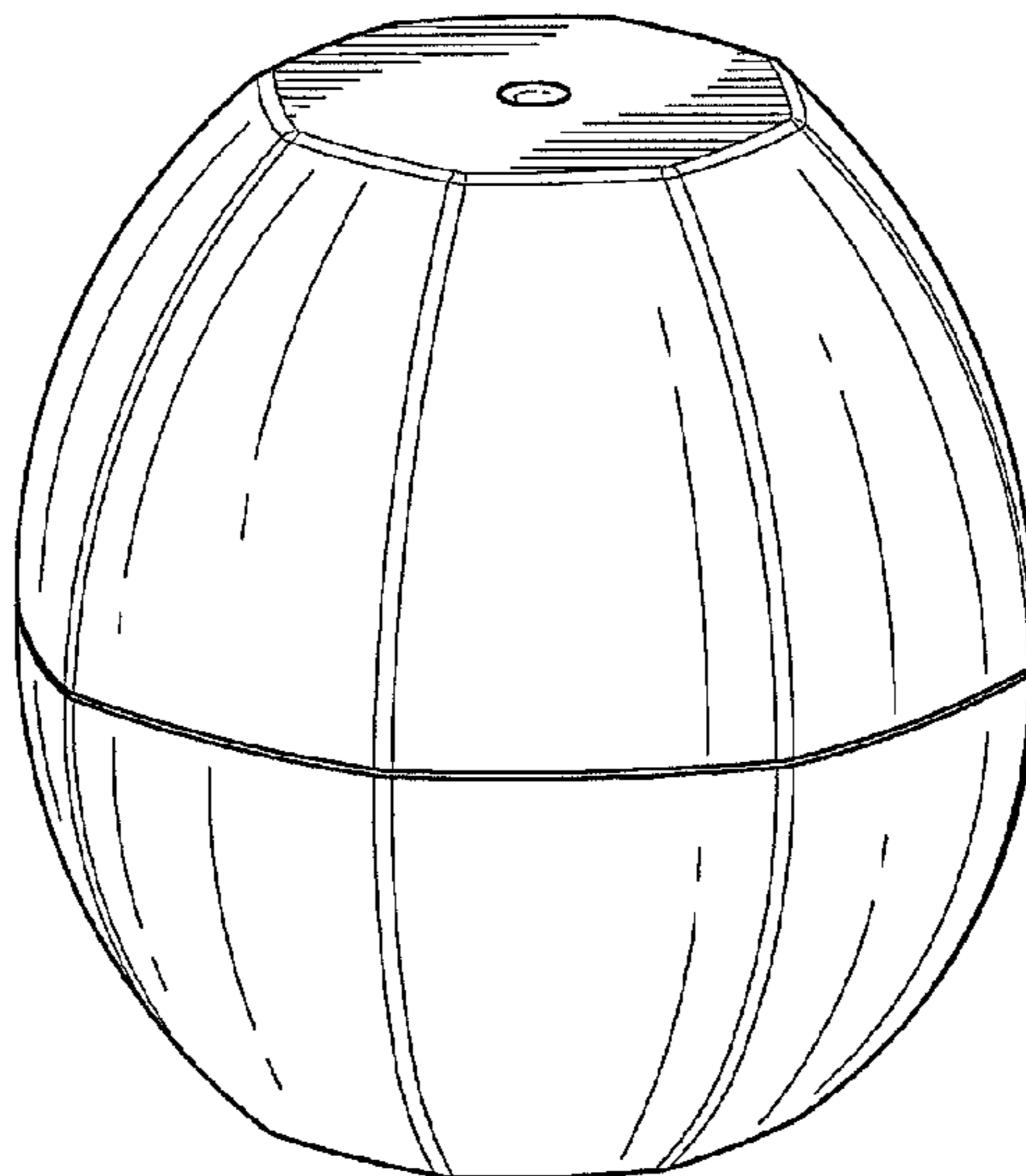
FIG. 8 is a side view of the lip balm container from a position  
diametrically opposite that shown in FIG. 7.

FIG. 9 is a side perspective view of the lip balm container  
from a position slightly above a horizontal bisecting plane of  
the lip balm container with the top removed; and,

FIG. 10 is a side view of the lip balm container with the top  
removed from the same position as applied in FIG. 5.

The bottom portion of the lip balm container is disclosed  
separately for convenience of illustration. The broken lines  
shown in the drawings illustrate portions of the article and  
form no part of the claimed design.

**1 Claim, 3 Drawing Sheets**



# US D708,790 S

Page 2

---

(56)

## References Cited

### U.S. PATENT DOCUMENTS

8,651,308 B1 *	2/2014	Sung .....	220/4.25
2007/0017915 A1 *	1/2007	Weder et al. ....	220/4.21
2013/0341833 A1 *	12/2013	Teller .....	264/299
D681,278 S *	4/2013	Schlatter .....	D28/89

\* cited by examiner

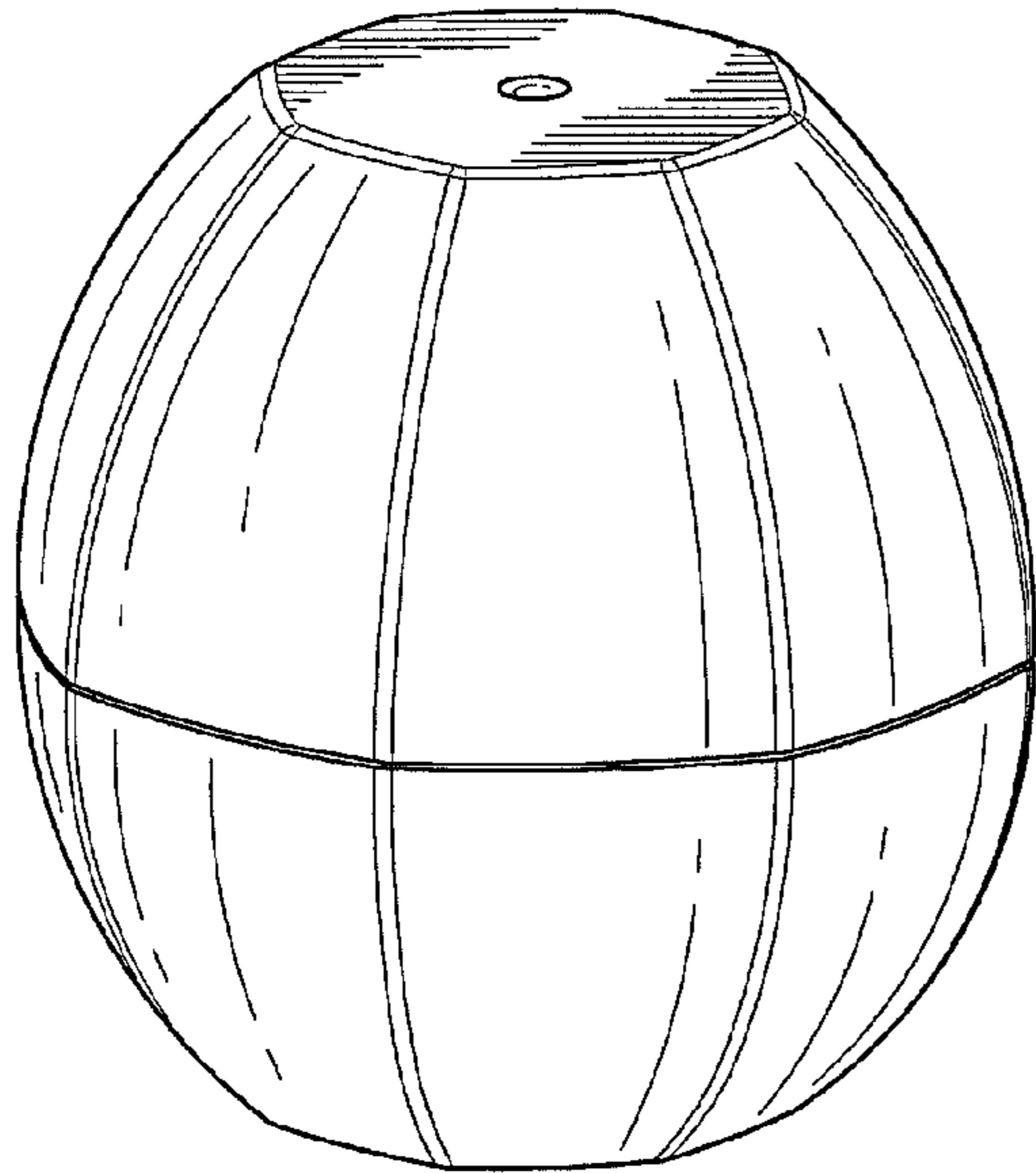


FIG. 1

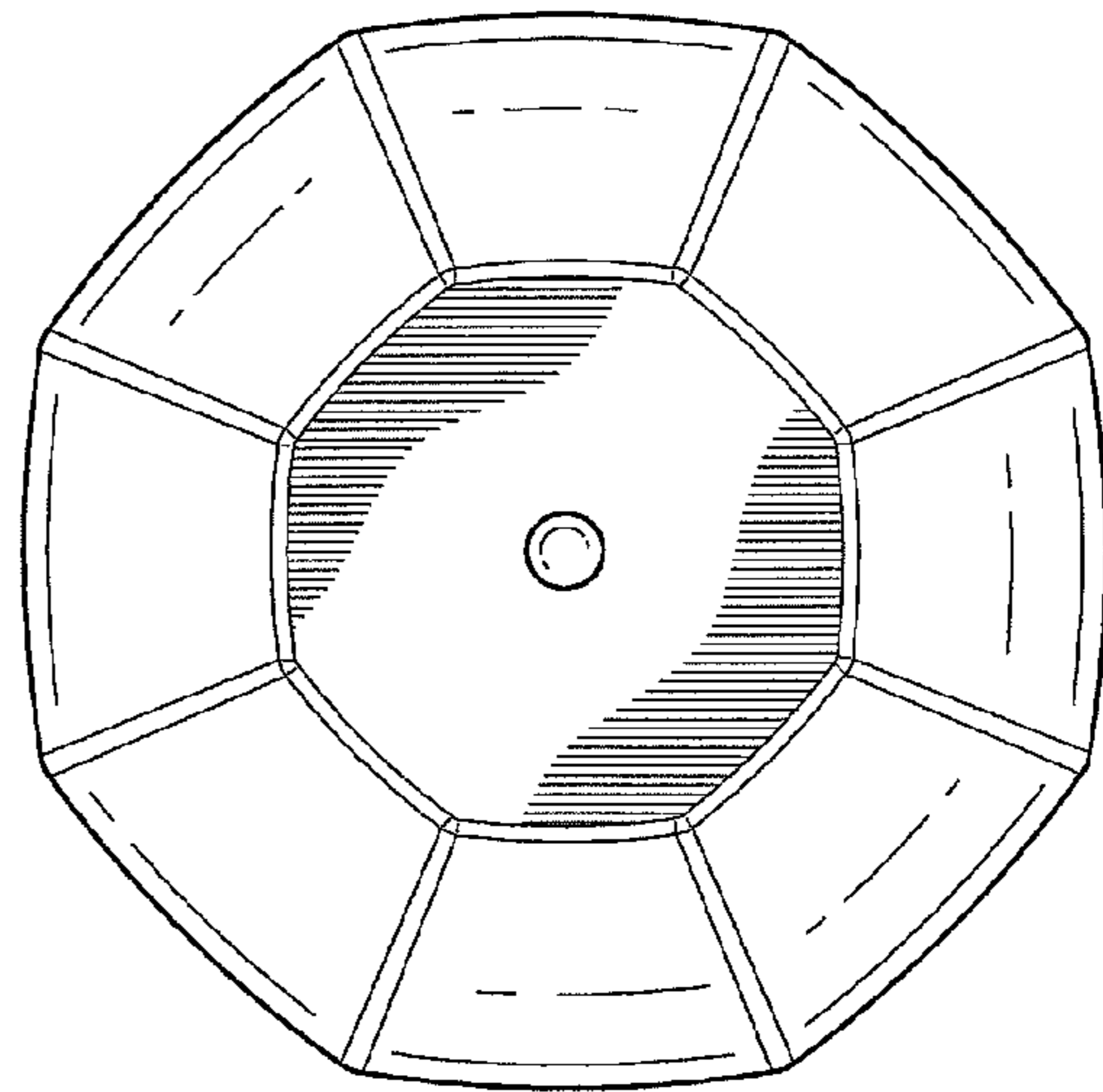


FIG. 2

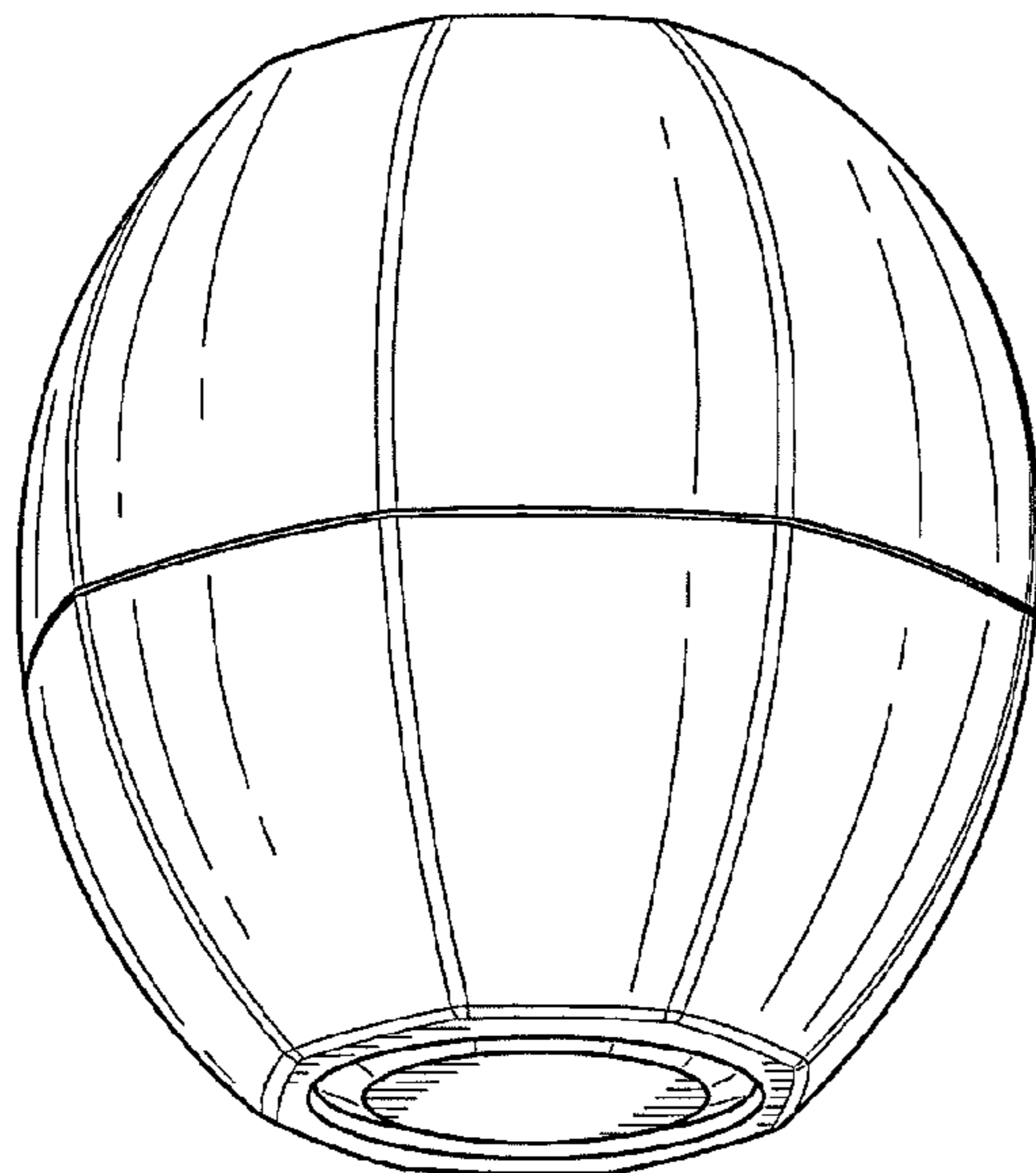


FIG. 3

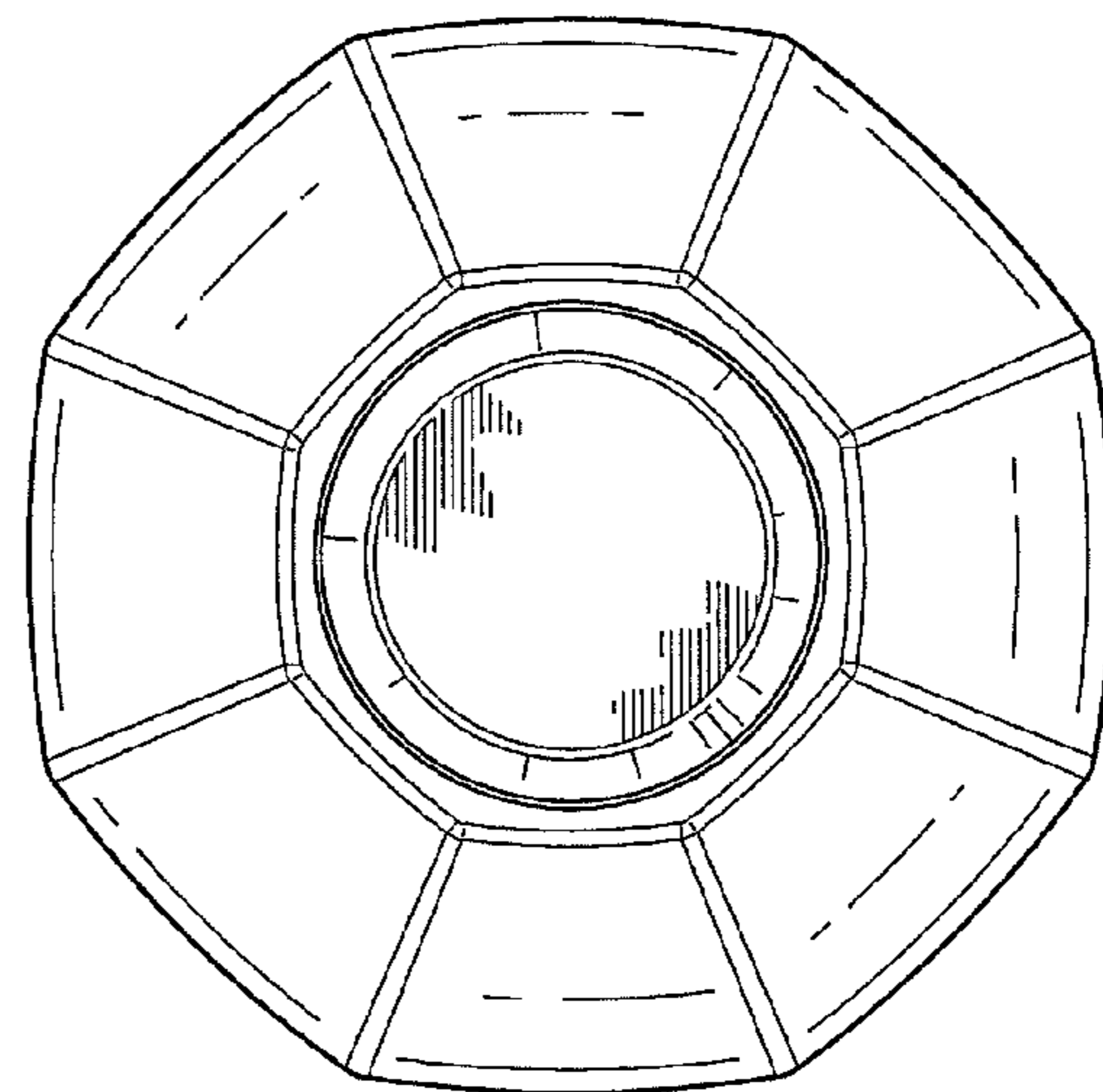


FIG. 4

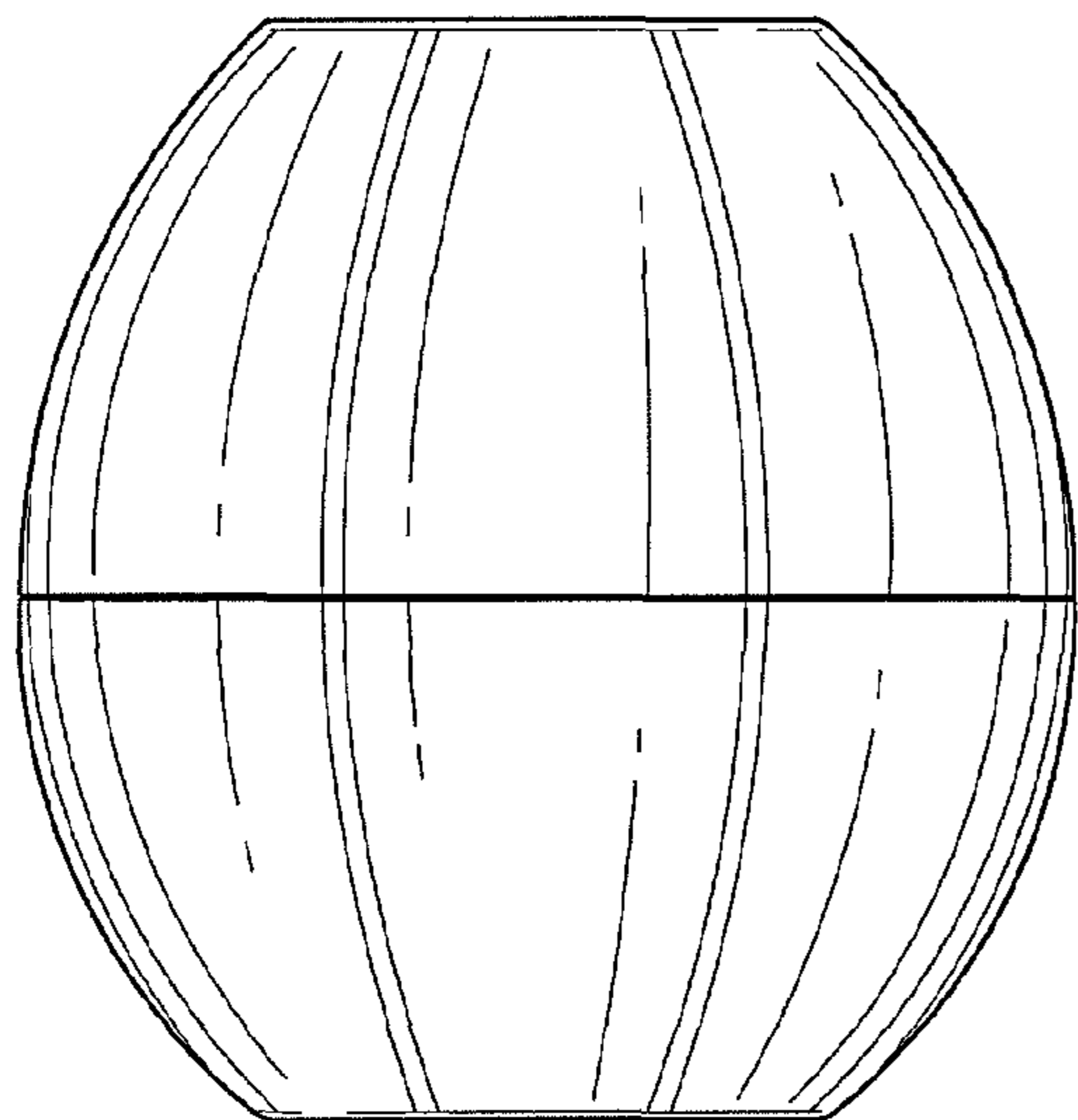


FIG. 5

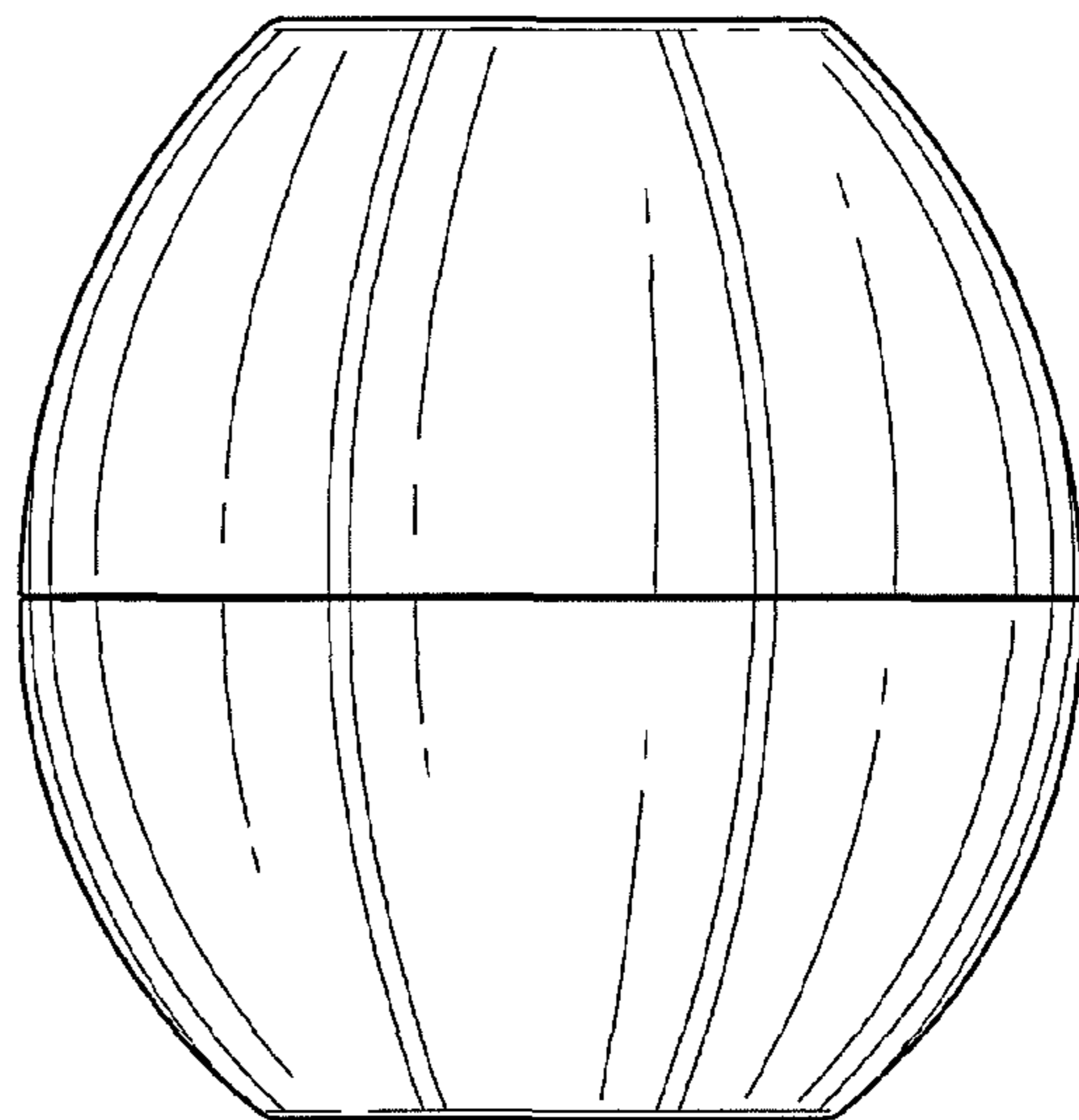


FIG. 6

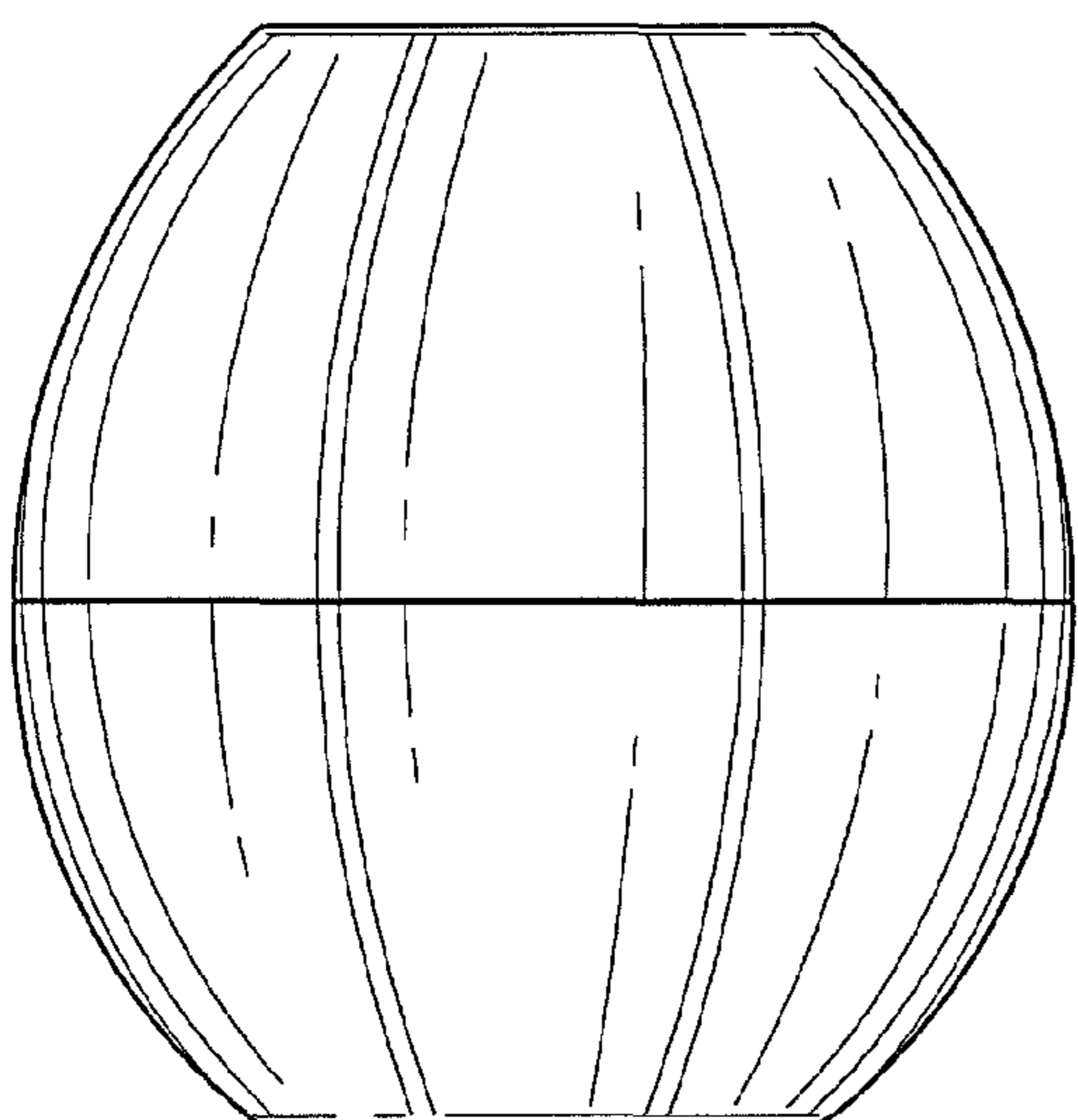


FIG. 7

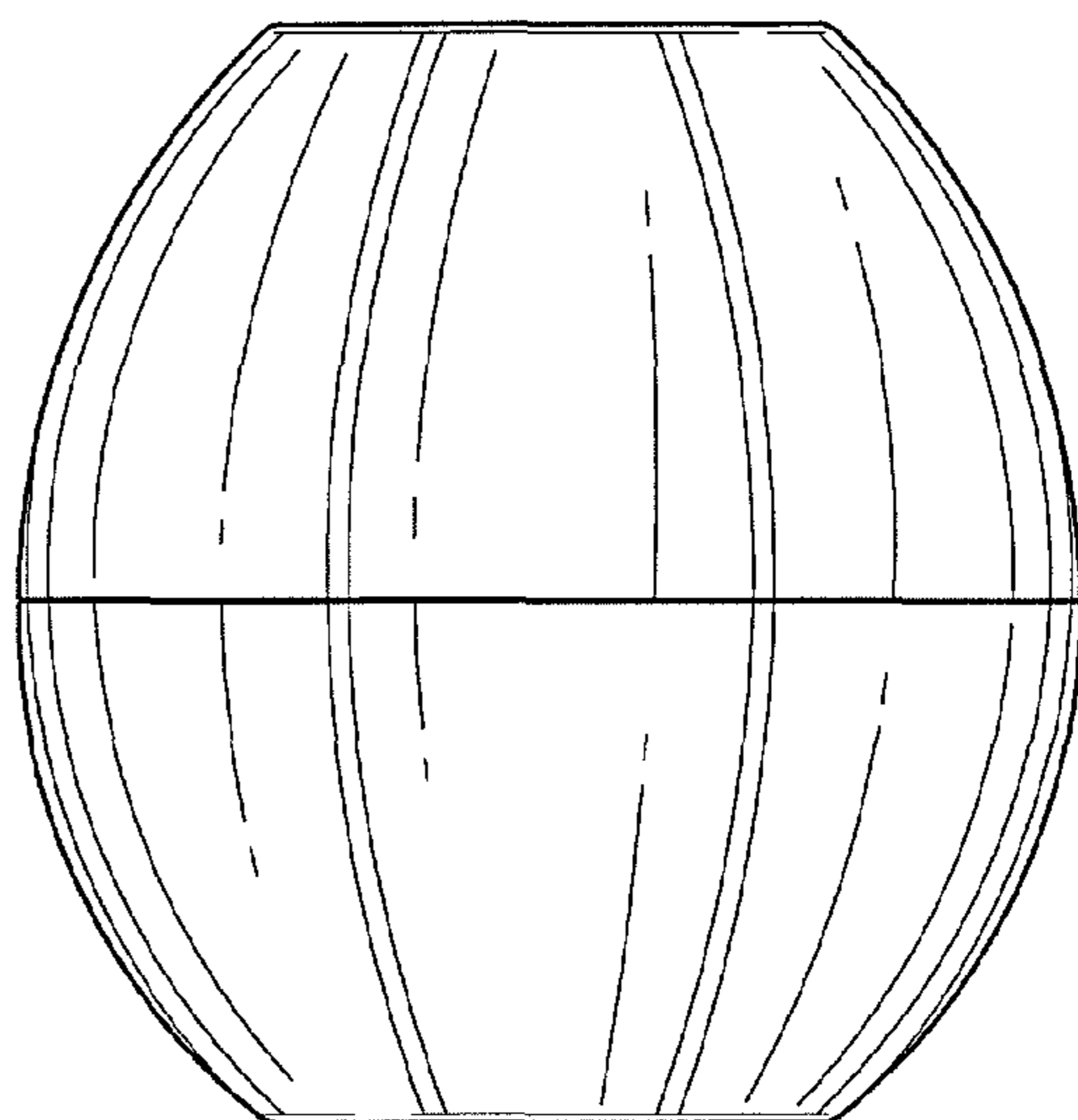


FIG. 8

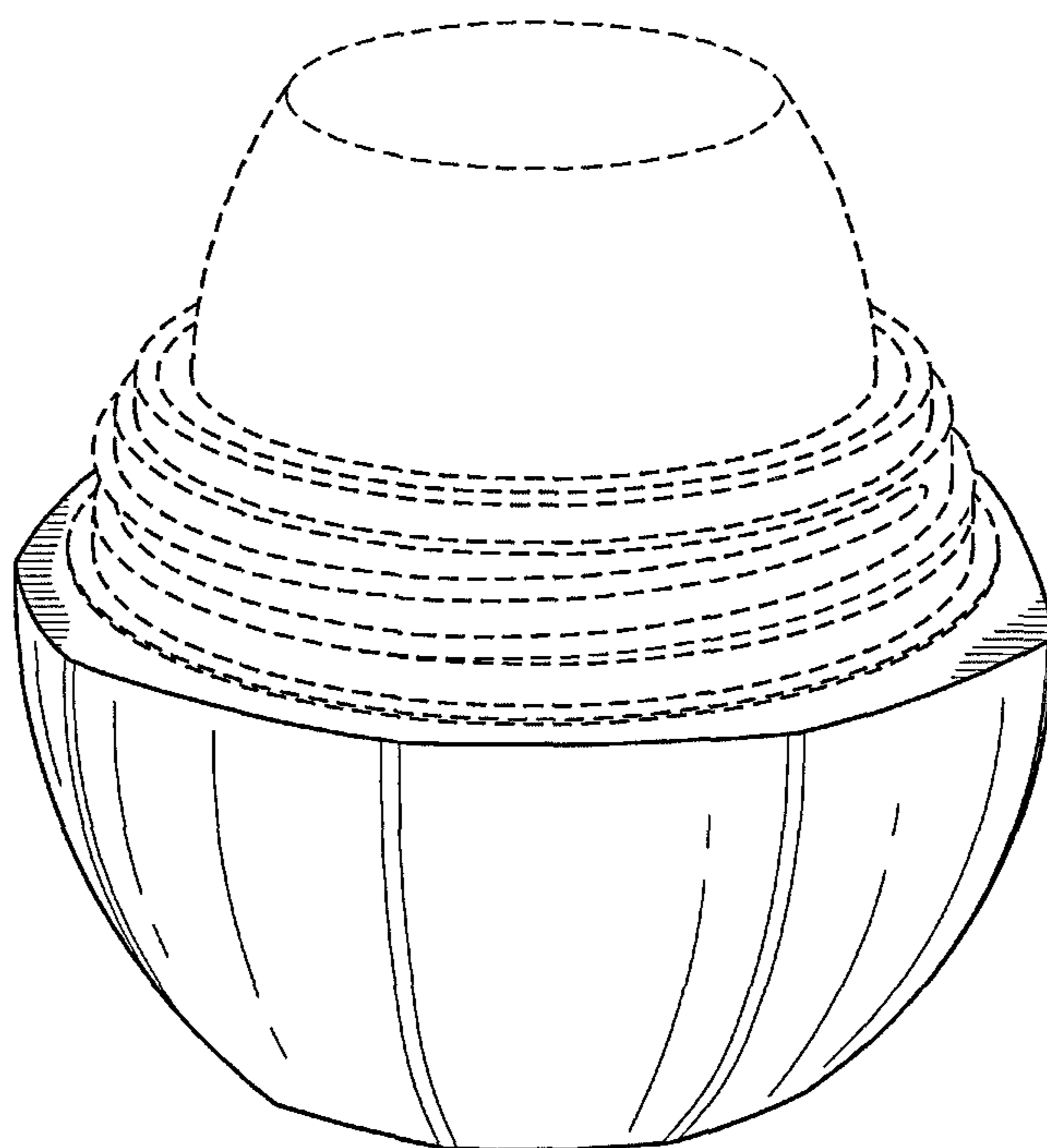


FIG. 9

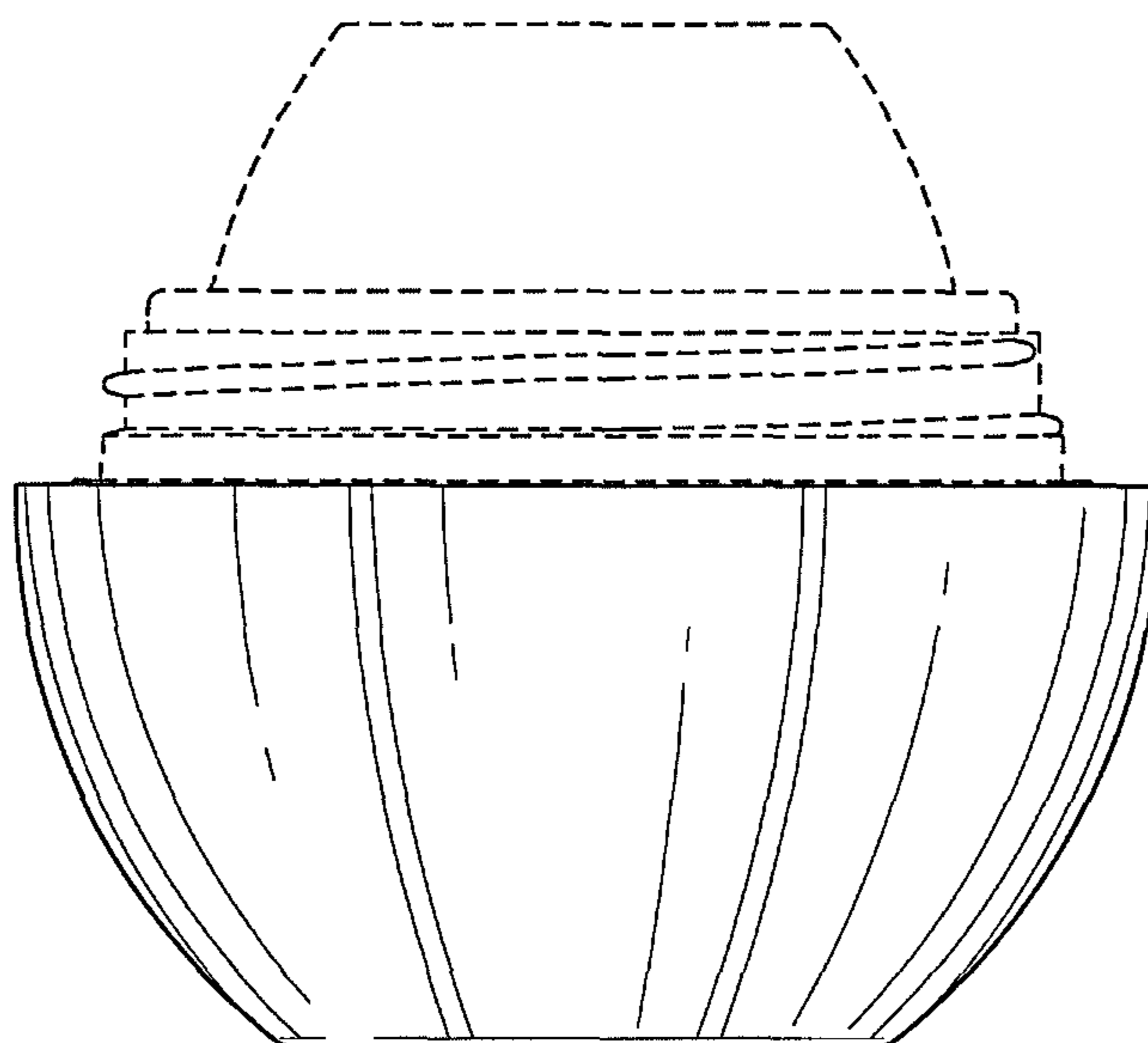


FIG. 10