



US00D708780S

(12) **United States Design Patent**  
**Park**

(10) **Patent No.:** **US D708,780 S**  
(45) **Date of Patent:** **\*\* Jul. 8, 2014**

(54) **LIGHT FIXTURE**

**DESCRIPTION**

- (71) Applicant: **Swarovski Lighting, Ltd.**, Plattsburgh, NY (US)
- (72) Inventor: **Saewoo Park**, Plattsburgh, NY (US)
- (73) Assignee: **Swarovski Lighting, Ltd.**, Plattsburgh, NY (US)
- (\*\*) Term: **14 Years**
- (21) Appl. No.: **29/473,349**
- (22) Filed: **Nov. 21, 2013**
- (51) **LOC (10) Cl.** ..... **26-99**
- (52) **U.S. Cl.**  
USPC ..... **D26/143**; D26/81; D26/87
- (58) **Field of Classification Search**  
CPC ..... F21S 8/06; F21V 27/00; F21V 21/18  
USPC ..... D26/80-84, 86, 88, 90, 143, 144,  
D26/152-155; 362/147, 404-408, 431, 432  
See application file for complete search history.

(56) **References Cited**

**U.S. PATENT DOCUMENTS**

- D58,935 S \* 9/1921 Newland ..... D26/81
- D58,936 S \* 9/1921 Newland ..... D26/81
- D69,892 S \* 4/1926 Kranz ..... D26/144

(Continued)

**OTHER PUBLICATIONS**

Caldwell Chandelier, A42686, circa Apr. 1917-Jun. 1918, 3 pages.

(Continued)

*Primary Examiner* — Clare E Heflin

(74) *Attorney, Agent, or Firm* — Heslin Rotherberg Farley & Mesiti P.C.

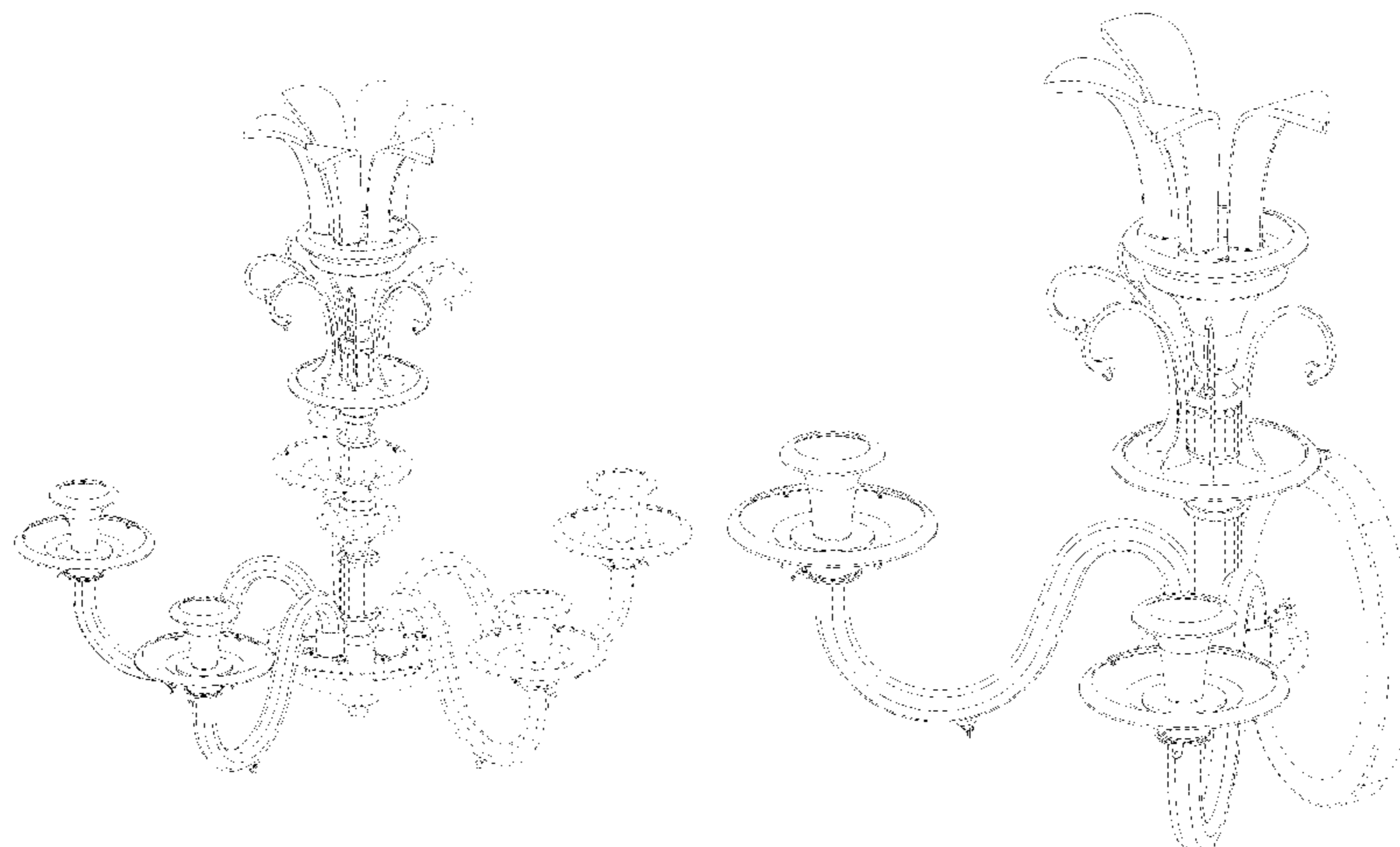
(57) **CLAIM**

The ornamental design for a light fixture, as shown and described.

FIG. 1 is a perspective view of a first embodiment of the light fixture of the present invention;  
 FIG. 2 is a front elevation view thereof;  
 FIG. 3 is a right side elevation view thereof;  
 FIG. 4 is a rear elevation view thereof;  
 FIG. 5 is a left side elevation view thereof;  
 FIG. 6 is a top plan view thereof;  
 FIG. 7 is a bottom plan view thereof;  
 FIG. 8 is a perspective view of a second embodiment of the light fixture of the present invention;  
 FIG. 9 is a front elevation view thereof;  
 FIG. 10 is a right side elevation view thereof;  
 FIG. 11 is a rear elevation view thereof;  
 FIG. 12 is a left side elevation view thereof;  
 FIG. 13 is a top plan view thereof;  
 FIG. 14 is a bottom plan view thereof;  
 FIG. 15 is a perspective view of a third embodiment of the light fixture of the present invention;  
 FIG. 16 is a front elevation view thereof;  
 FIG. 17 is a right side elevation view thereof;  
 FIG. 18 is a rear elevation view thereof;  
 FIG. 19 is a left side elevation view thereof;  
 FIG. 20 is a top plan view thereof;  
 FIG. 21 is a bottom plan view thereof;  
 FIG. 22 is a perspective view of a fourth embodiment of the light fixture of the present invention;  
 FIG. 23 is a front elevation view thereof;  
 FIG. 24 is a right side elevation view thereof;  
 FIG. 25 is a rear elevation view thereof;  
 FIG. 26 is a left side elevation view thereof;  
 FIG. 27 is a top plan view thereof; and,  
 FIG. 28 is a bottom plan view thereof.

The broken lines in the figures are for illustrative purposes only and form no part of the claimed invention.

**1 Claim, 28 Drawing Sheets**



(56)

**References Cited**

U.S. PATENT DOCUMENTS

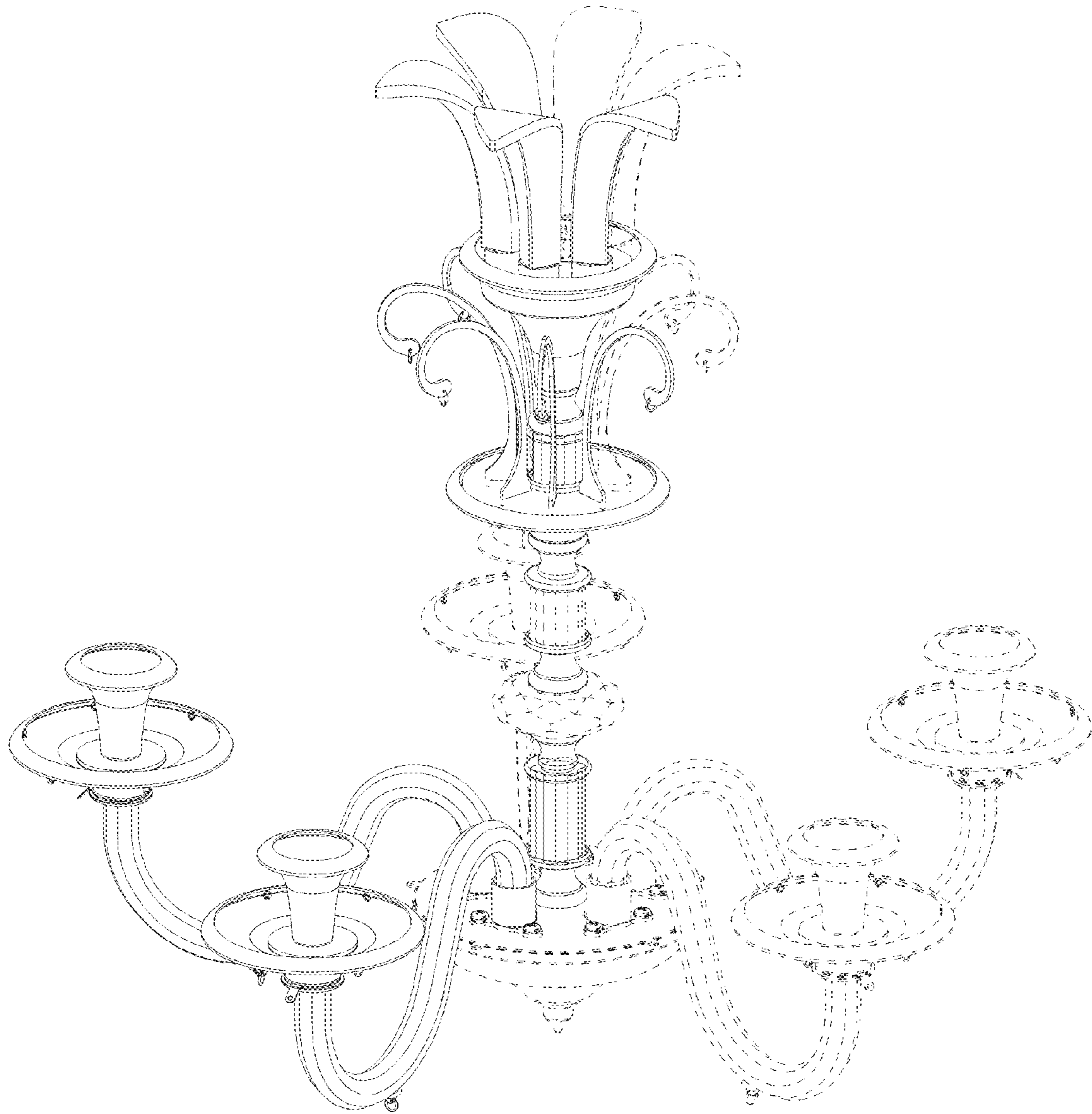
D410,102 S \* 5/1999 Hammar ..... D26/81  
D518,225 S \* 3/2006 Yando et al. .... D26/142  
D532,923 S \* 11/2006 Schonbek et al. .... D26/143  
D576,346 S \* 9/2008 Yando et al. .... D26/144  
D576,348 S \* 9/2008 Myers et al. .... D26/144  
D580,591 S \* 11/2008 Yando et al. .... D26/144  
D582,597 S \* 12/2008 Collicott ..... D26/81  
D598,601 S \* 8/2009 Chen ..... D26/81

D602,190 S \* 10/2009 Sperling ..... D26/81  
D644,777 S \* 9/2011 Raggi ..... D26/81

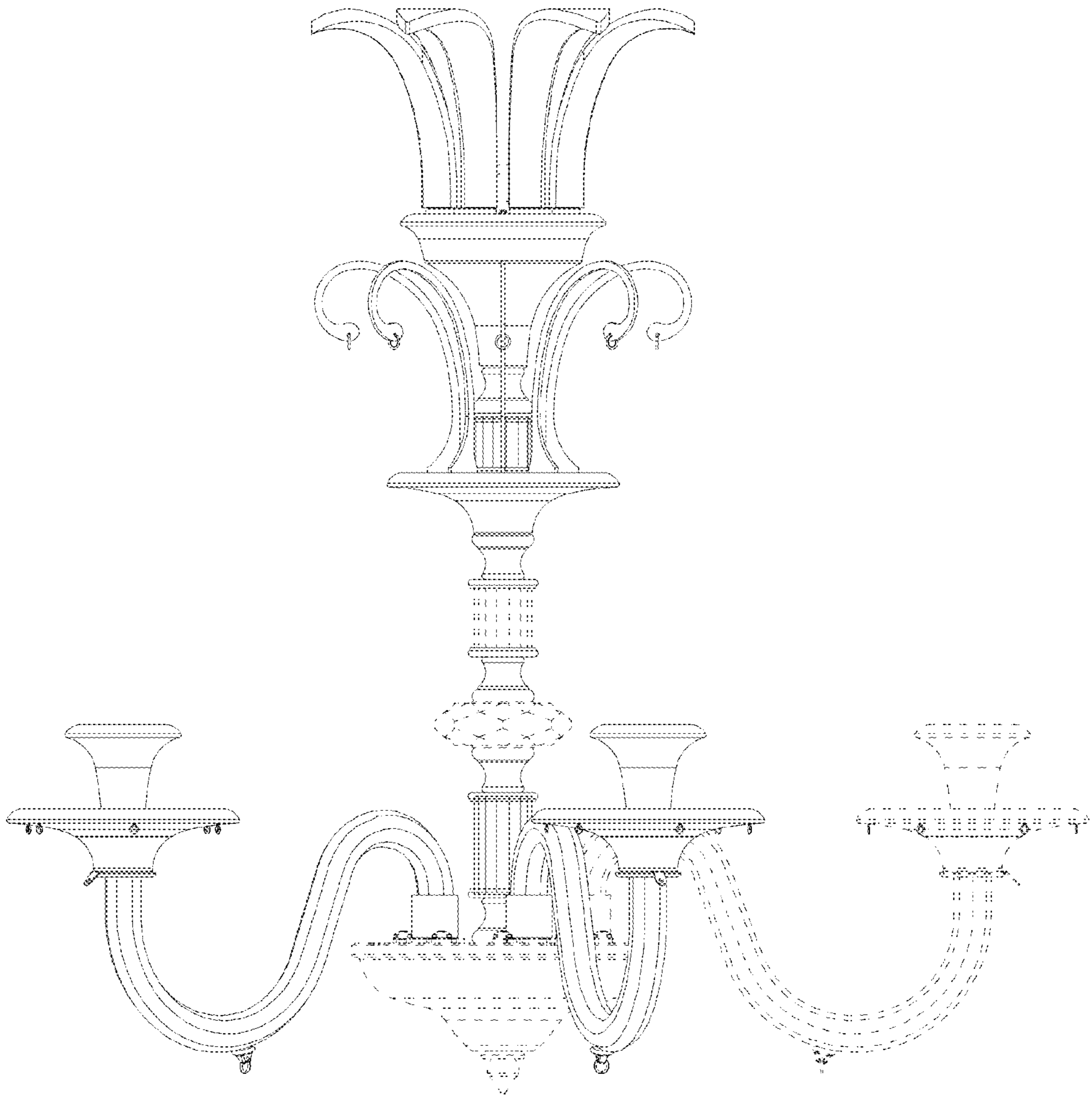
OTHER PUBLICATIONS

Caldwell Chandelier, A66483, circa Nov. 1926-May 1928, 3 pages.  
Caldwell Chandelier, A088204, circa Jan. 1932-Jun. 1932, 3 pages.  
Contemporary Royal Chandelier Pendant Light, printout available  
online on Nov. 13, 2013 at: [http:// www.designerchandelier.com.au/  
contemporary-royal-chandelier-pendant-light-width-65cm](http://www.designerchandelier.com.au/contemporary-royal-chandelier-pendant-light-width-65cm), 2 pages.

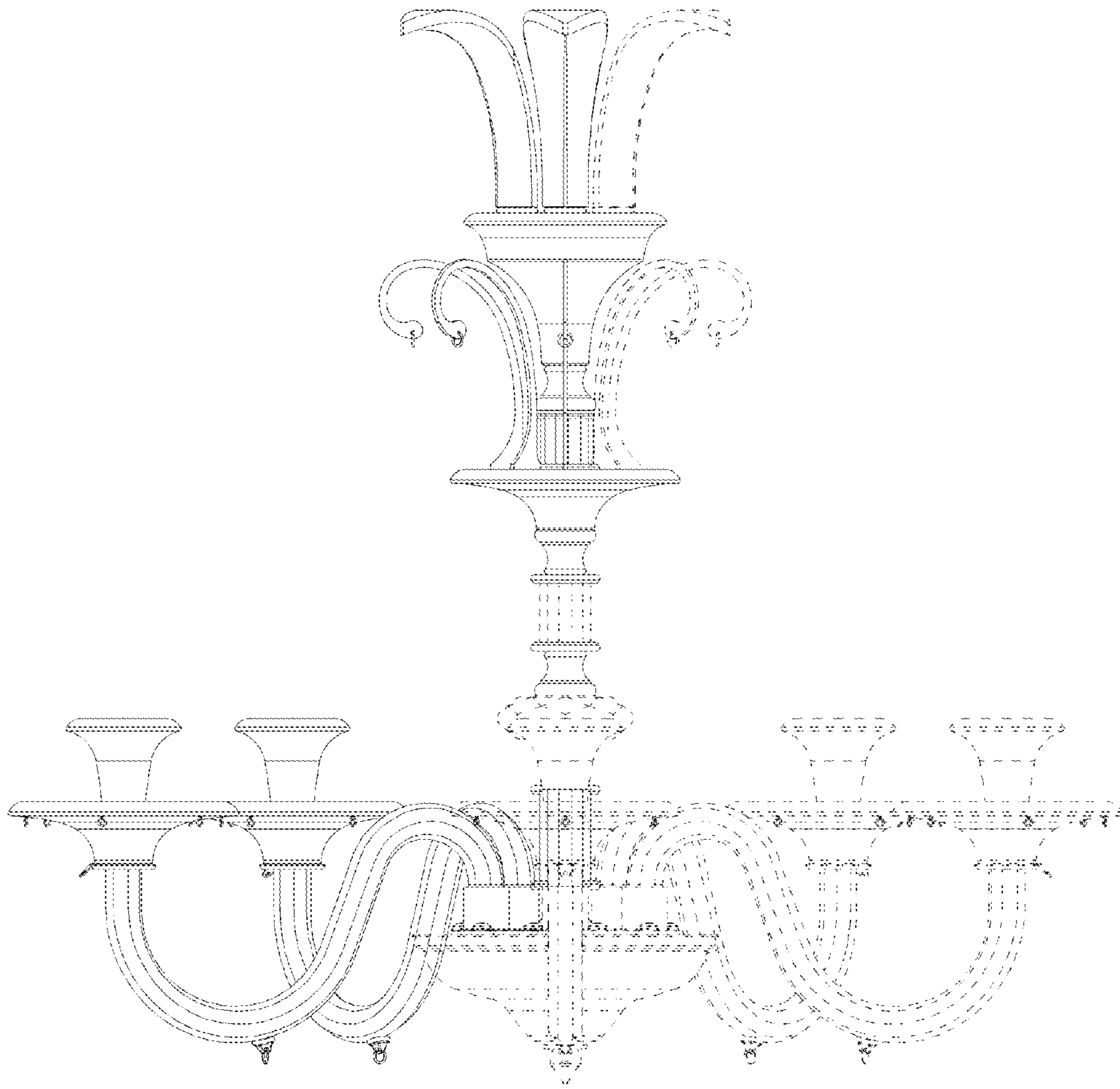
\* cited by examiner



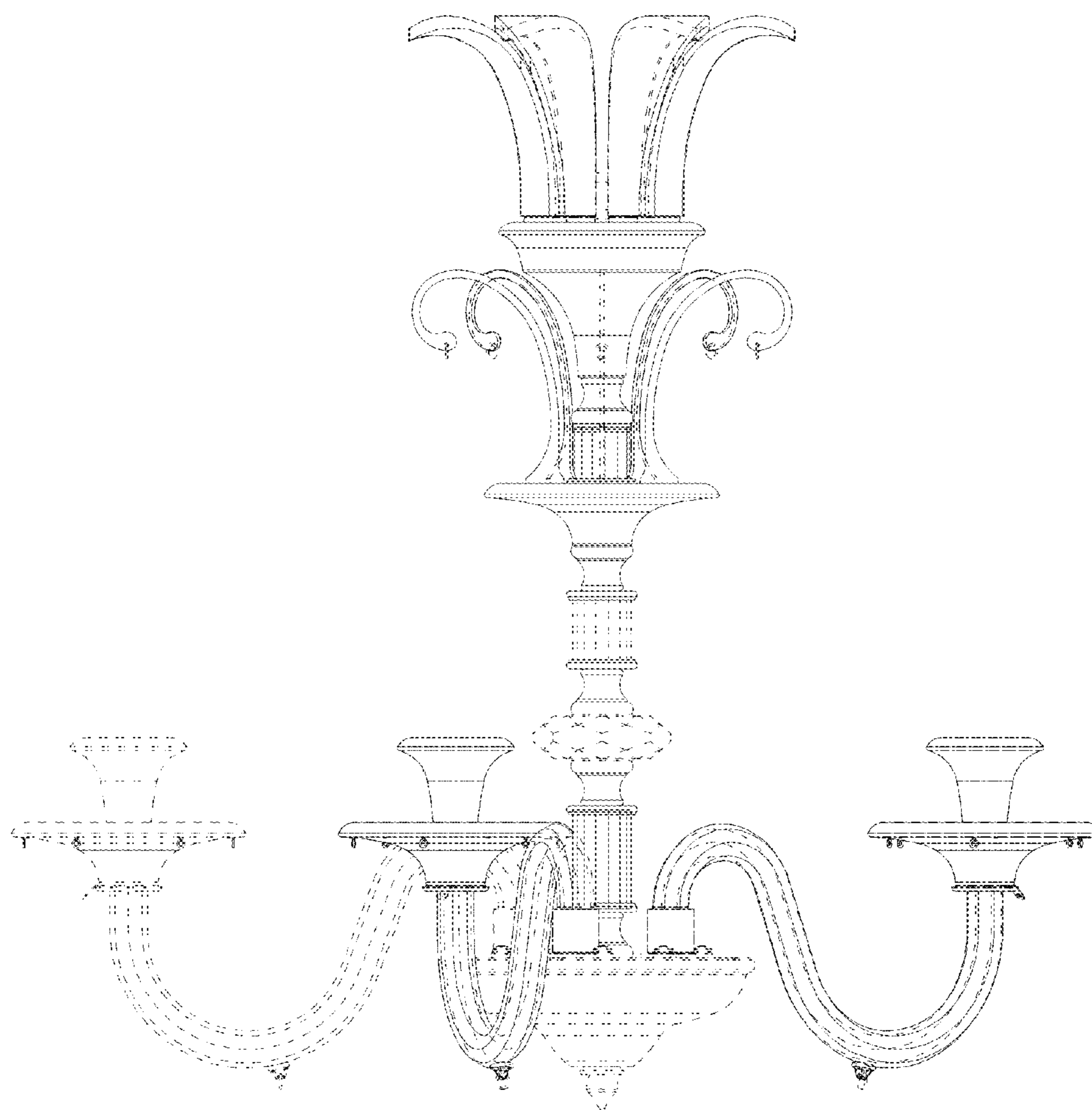
**FIG. 1**



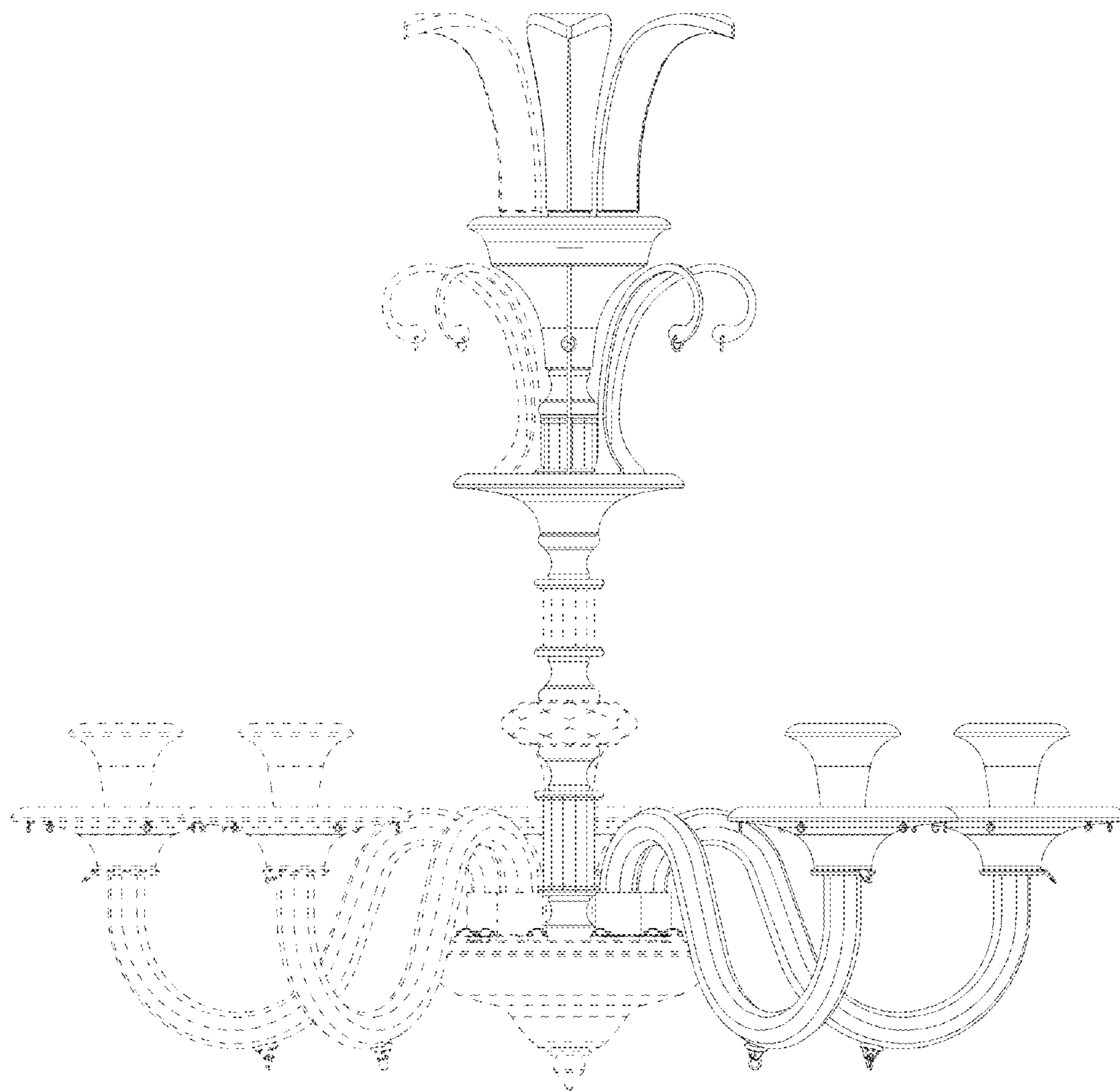
**FIG. 2**



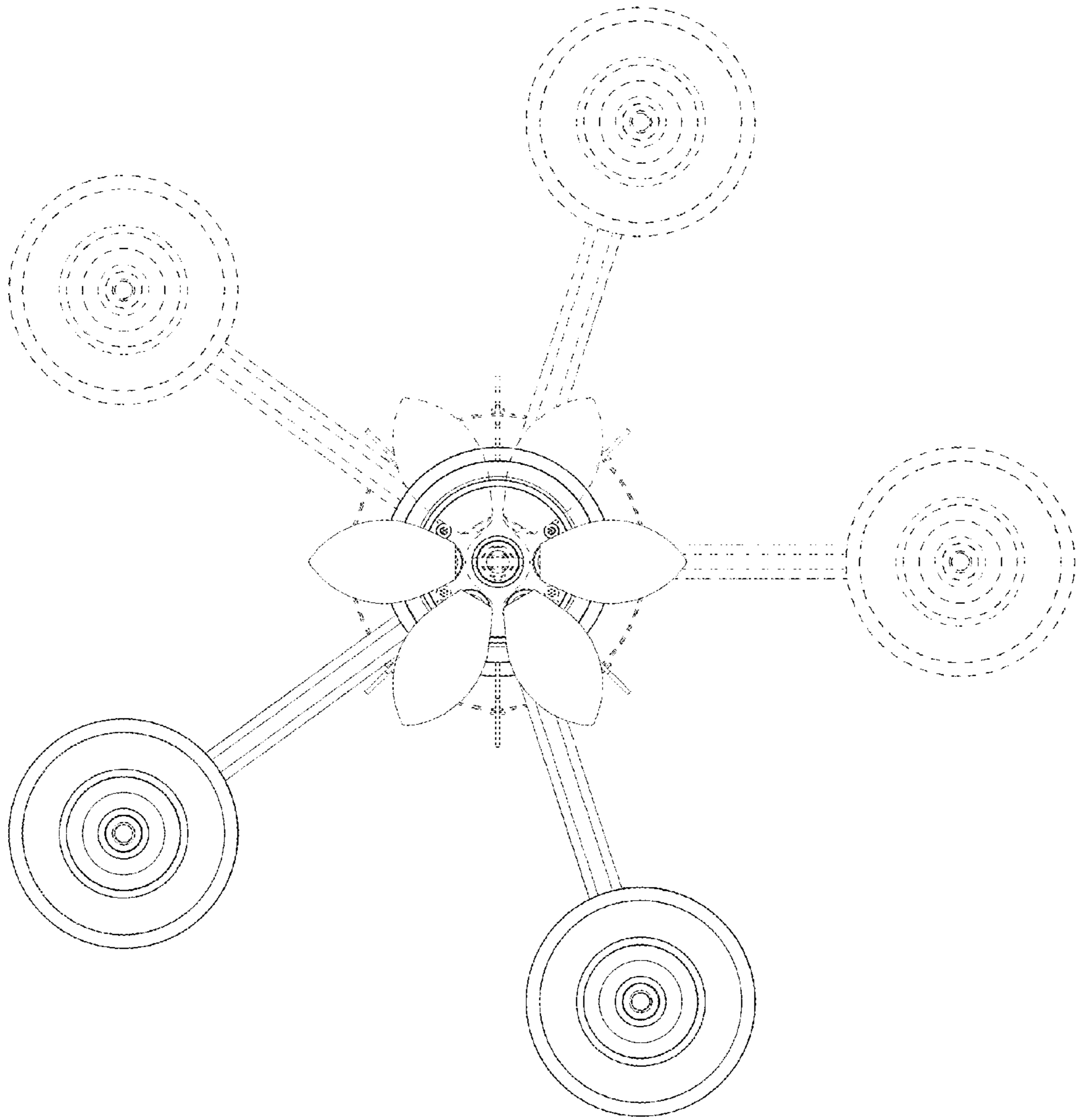
**FIG. 3**



**FIG. 4**

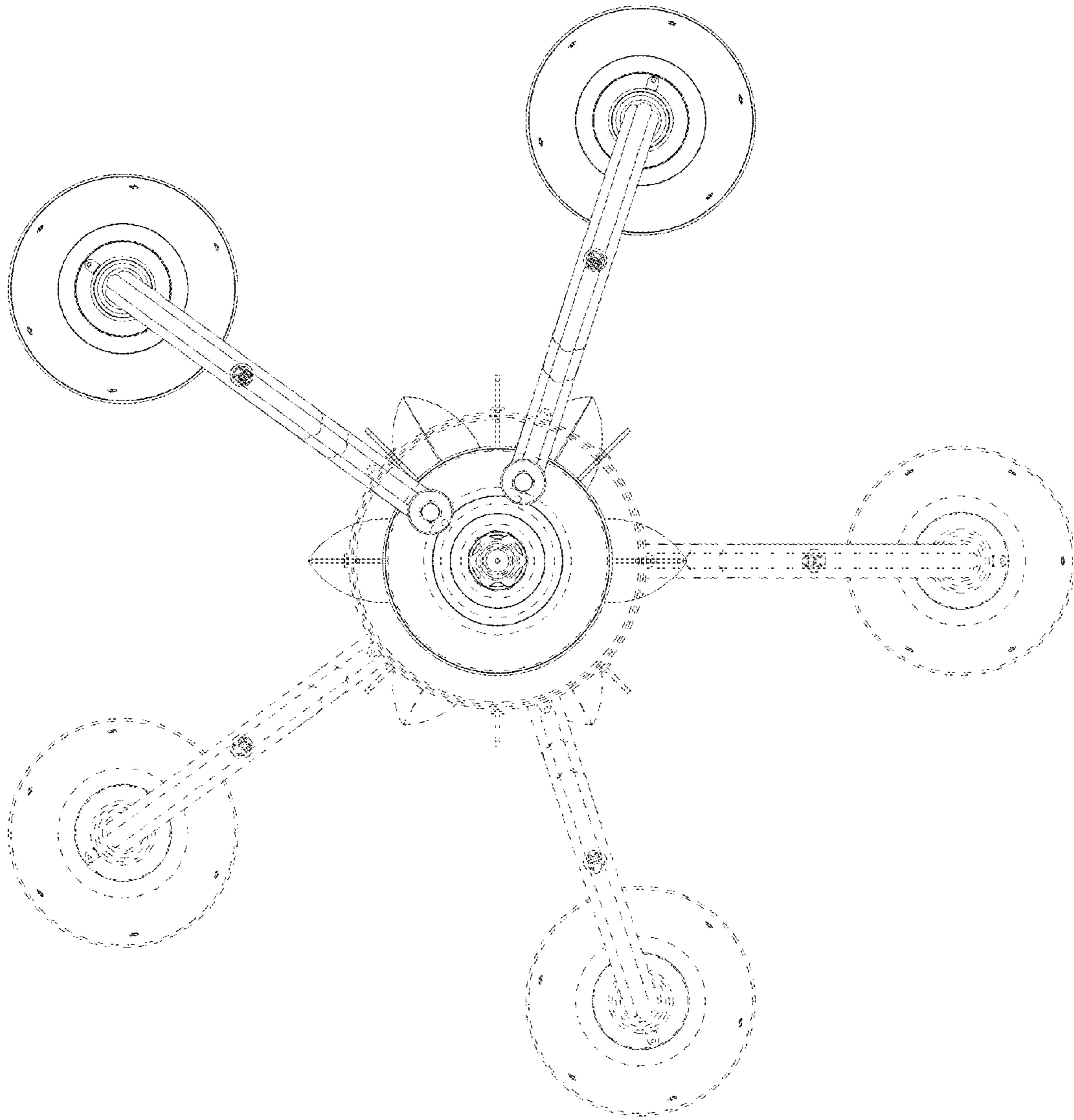


**FIG. 5**

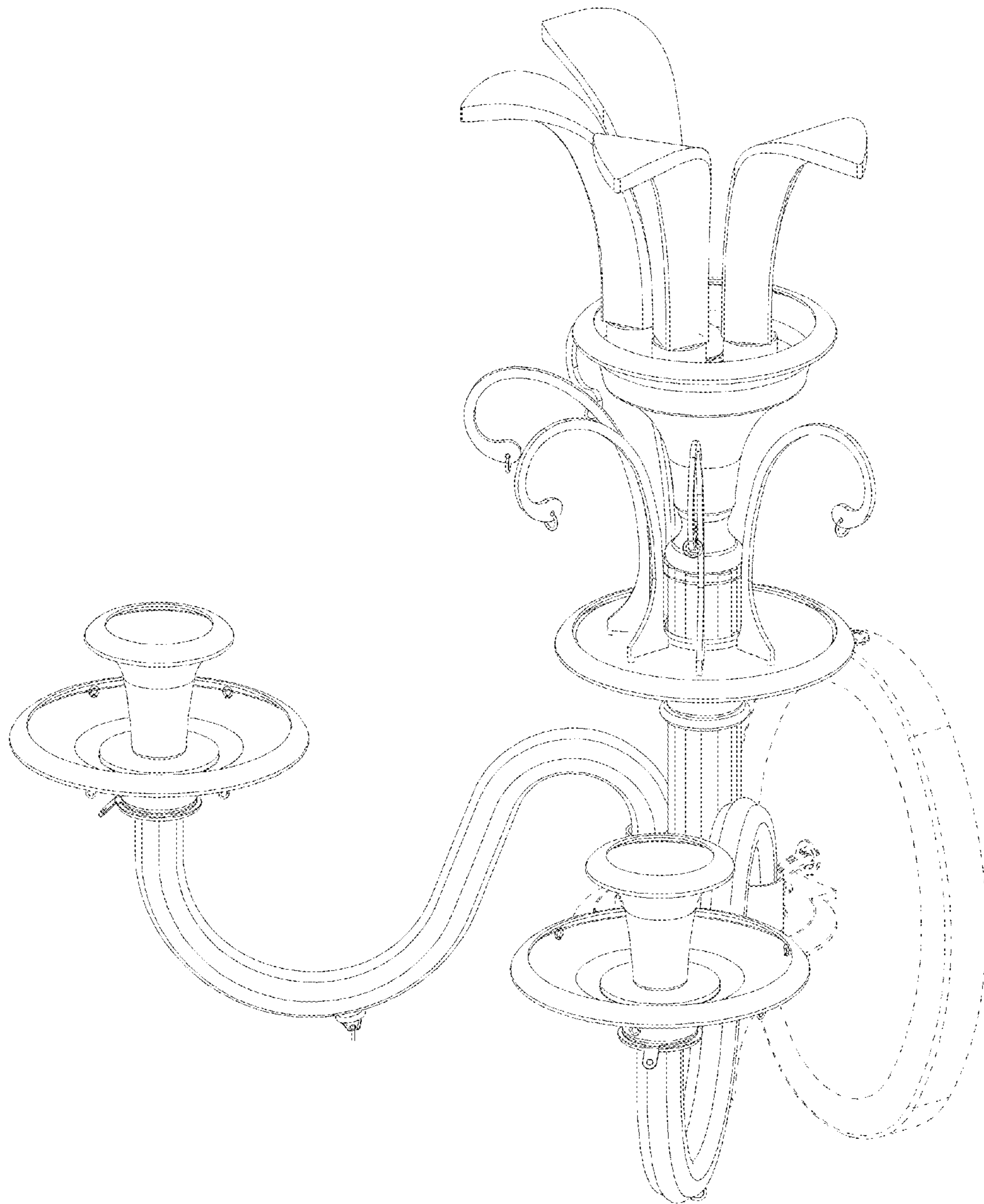


**FIG. 6**

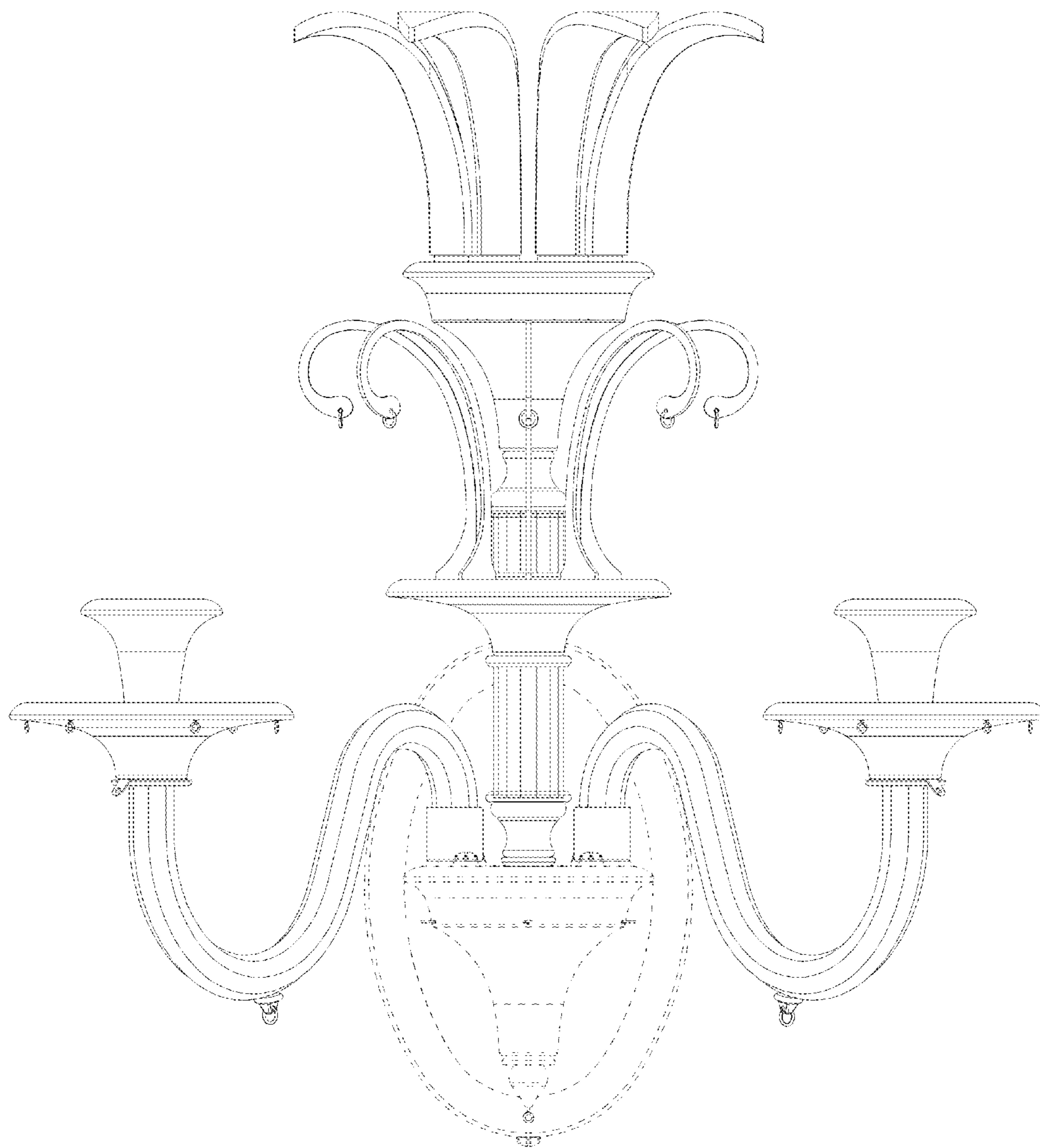




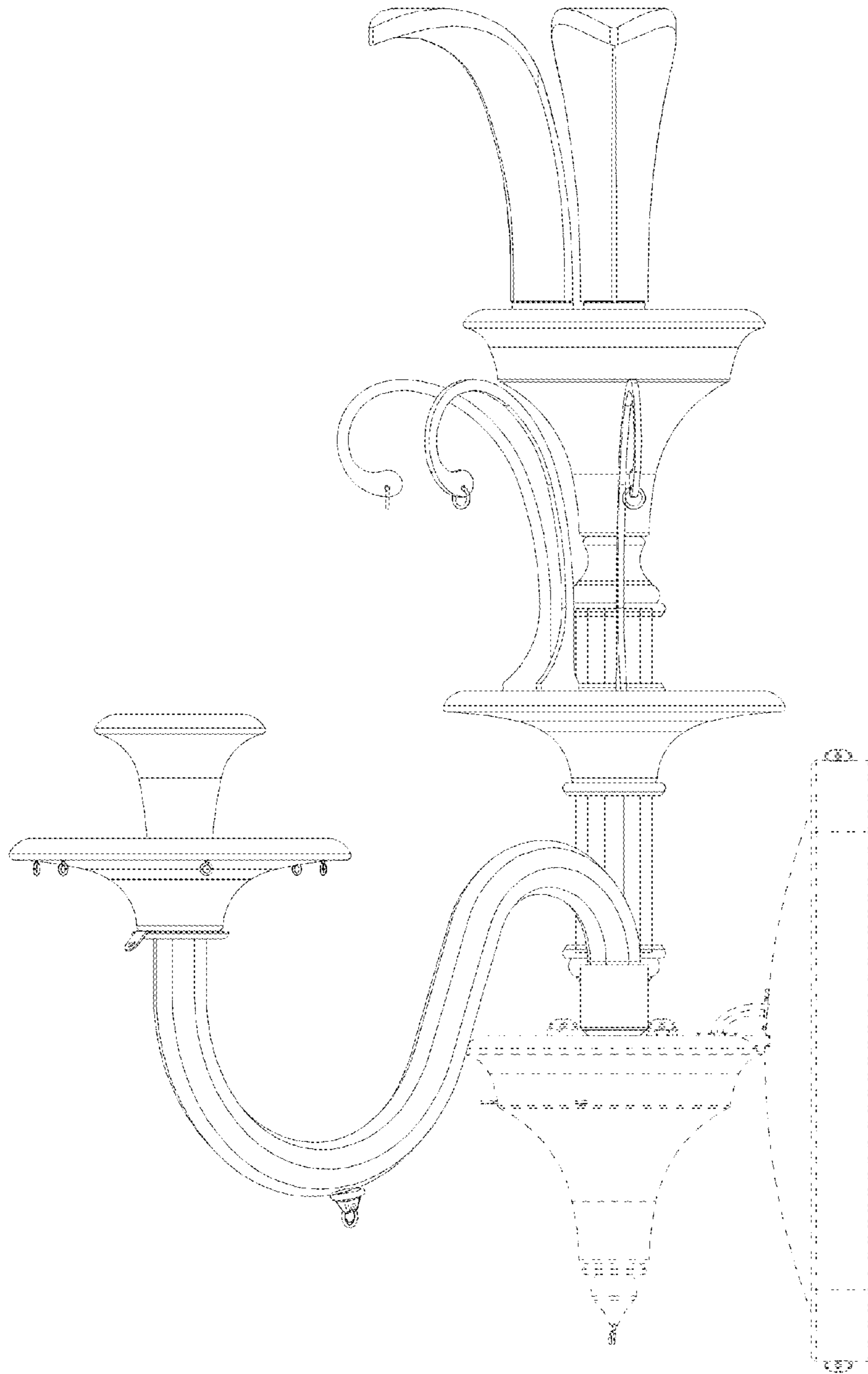
**FIG. 7**



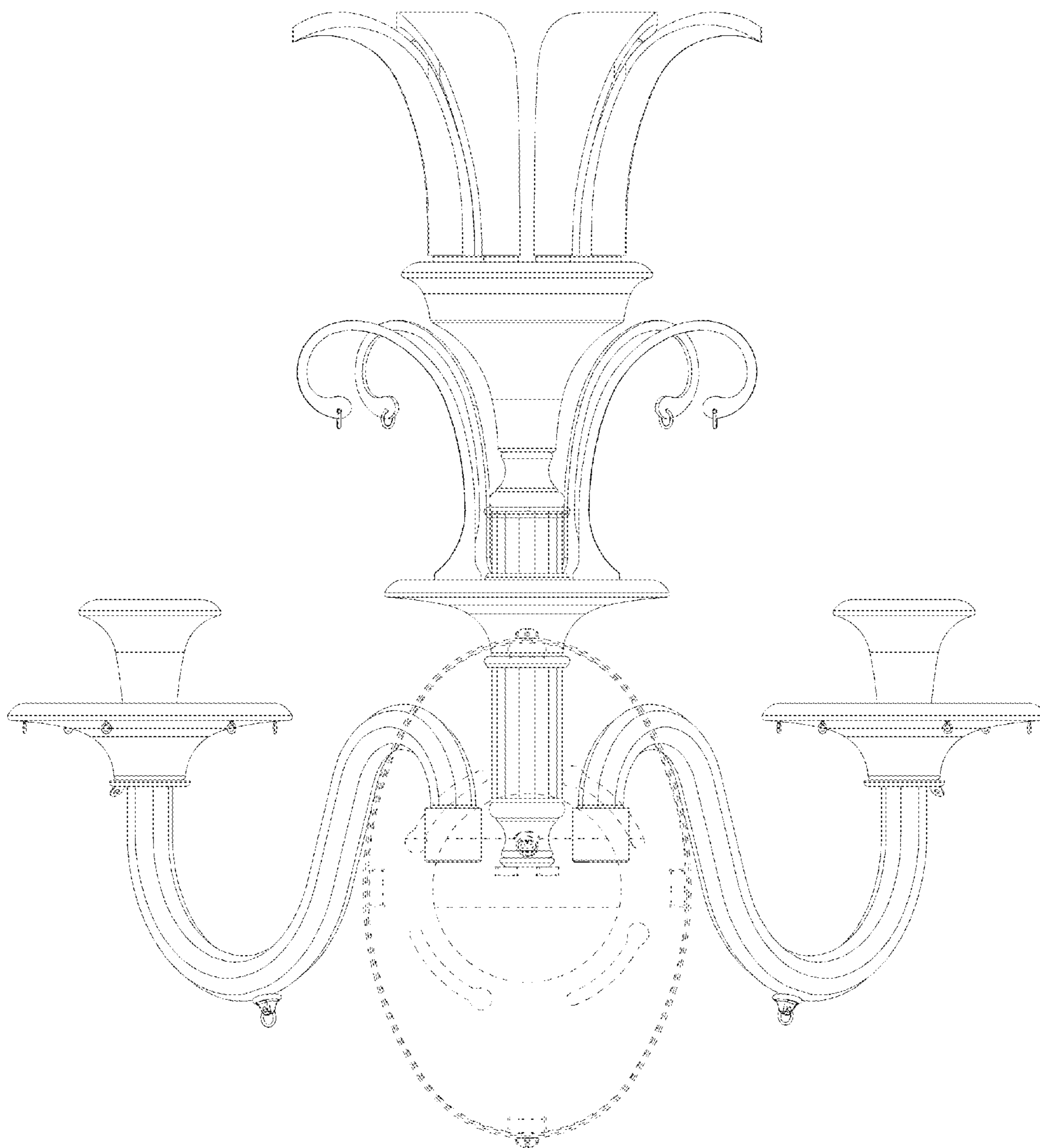
**FIG. 8**



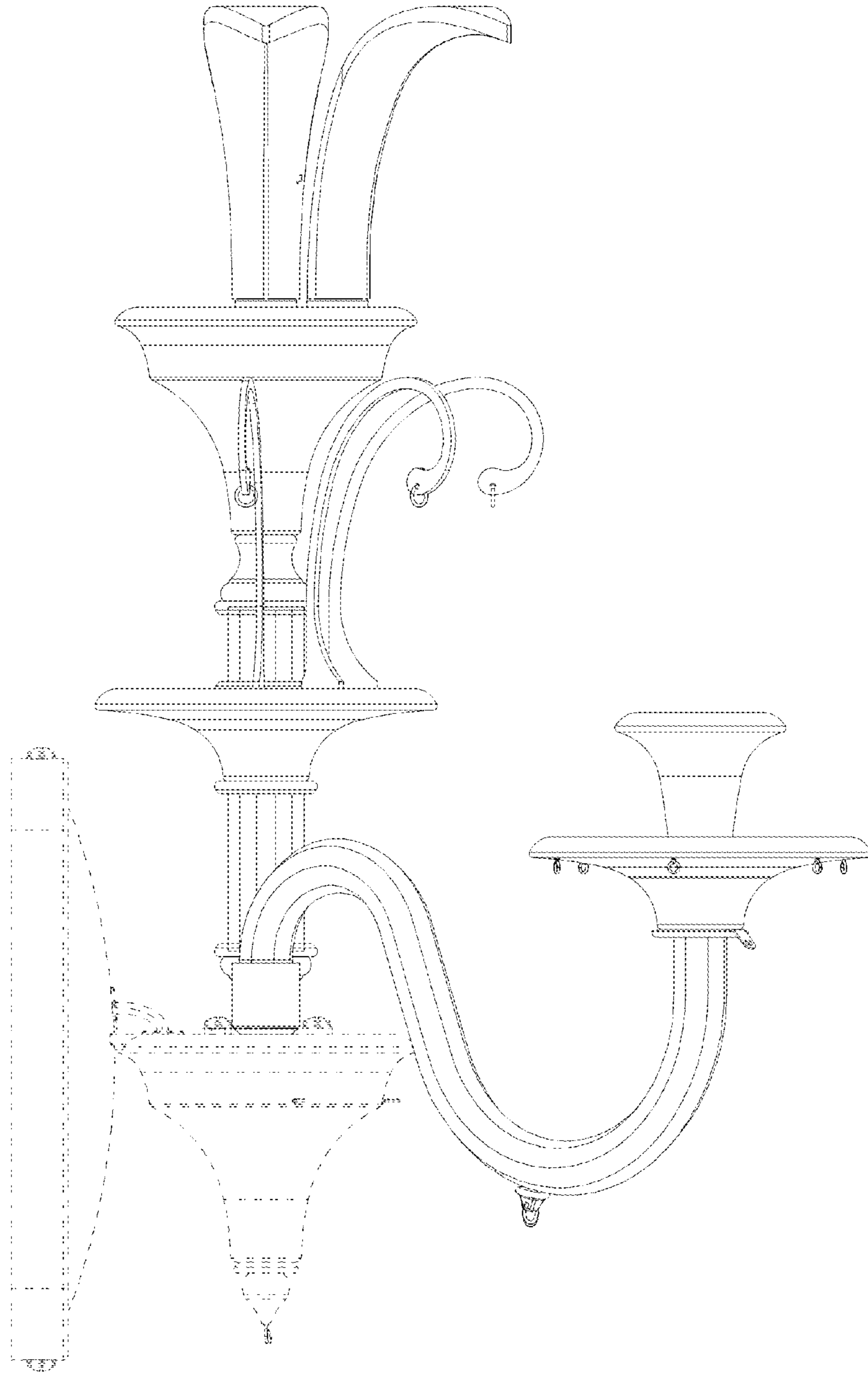
**FIG. 9**



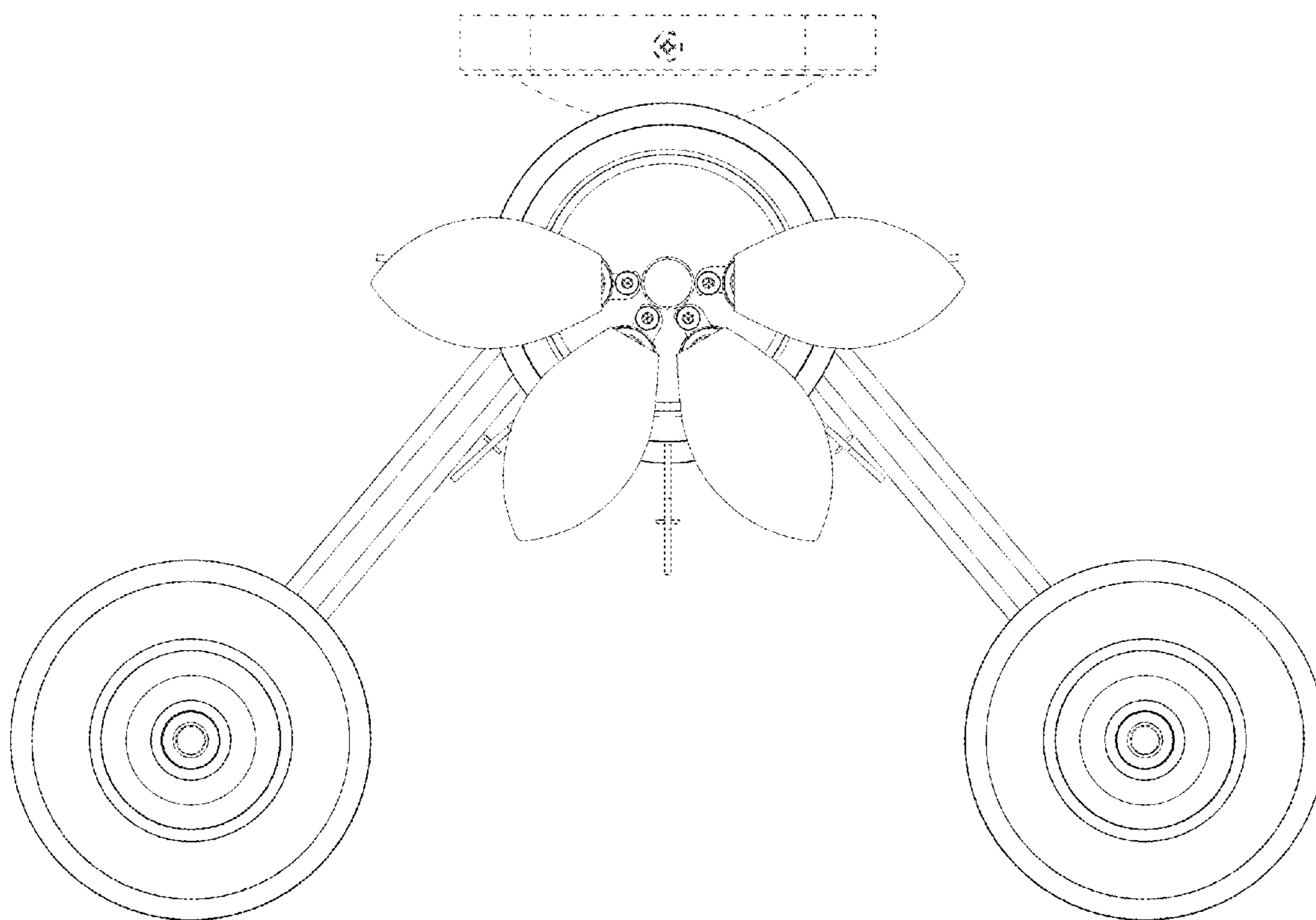
**FIG. 10**



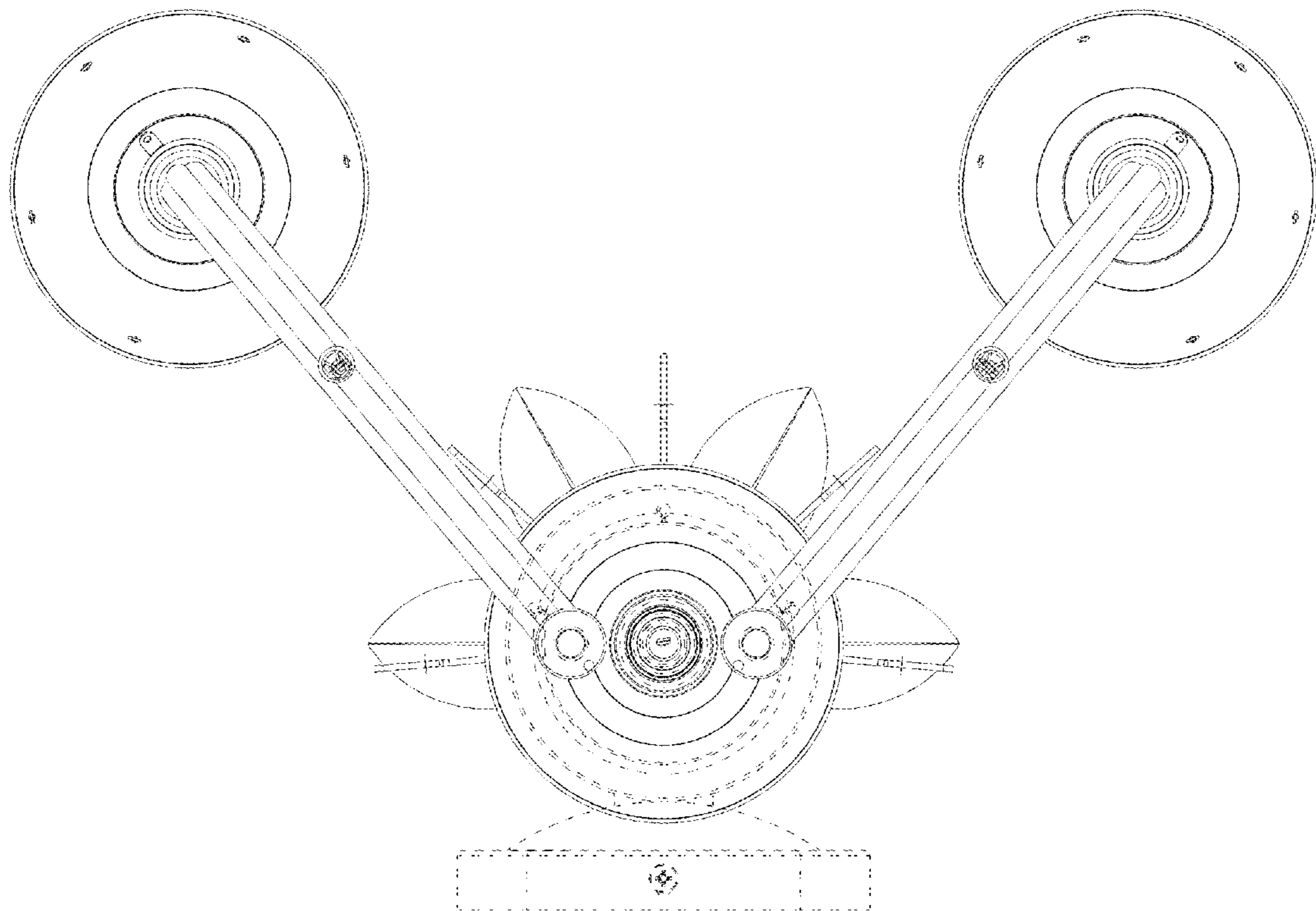
**FIG. 11**



**FIG. 12**

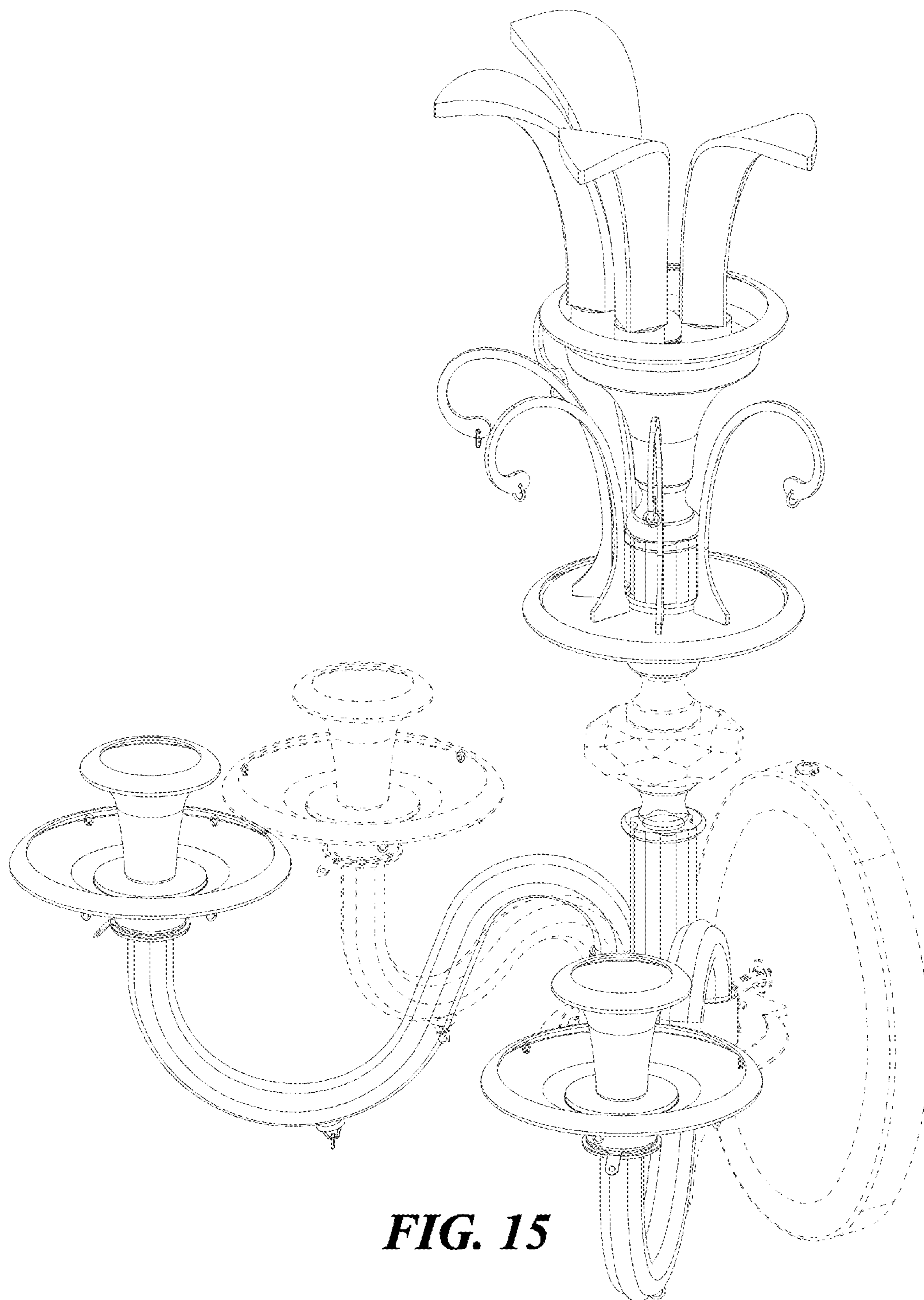


**FIG. 13**

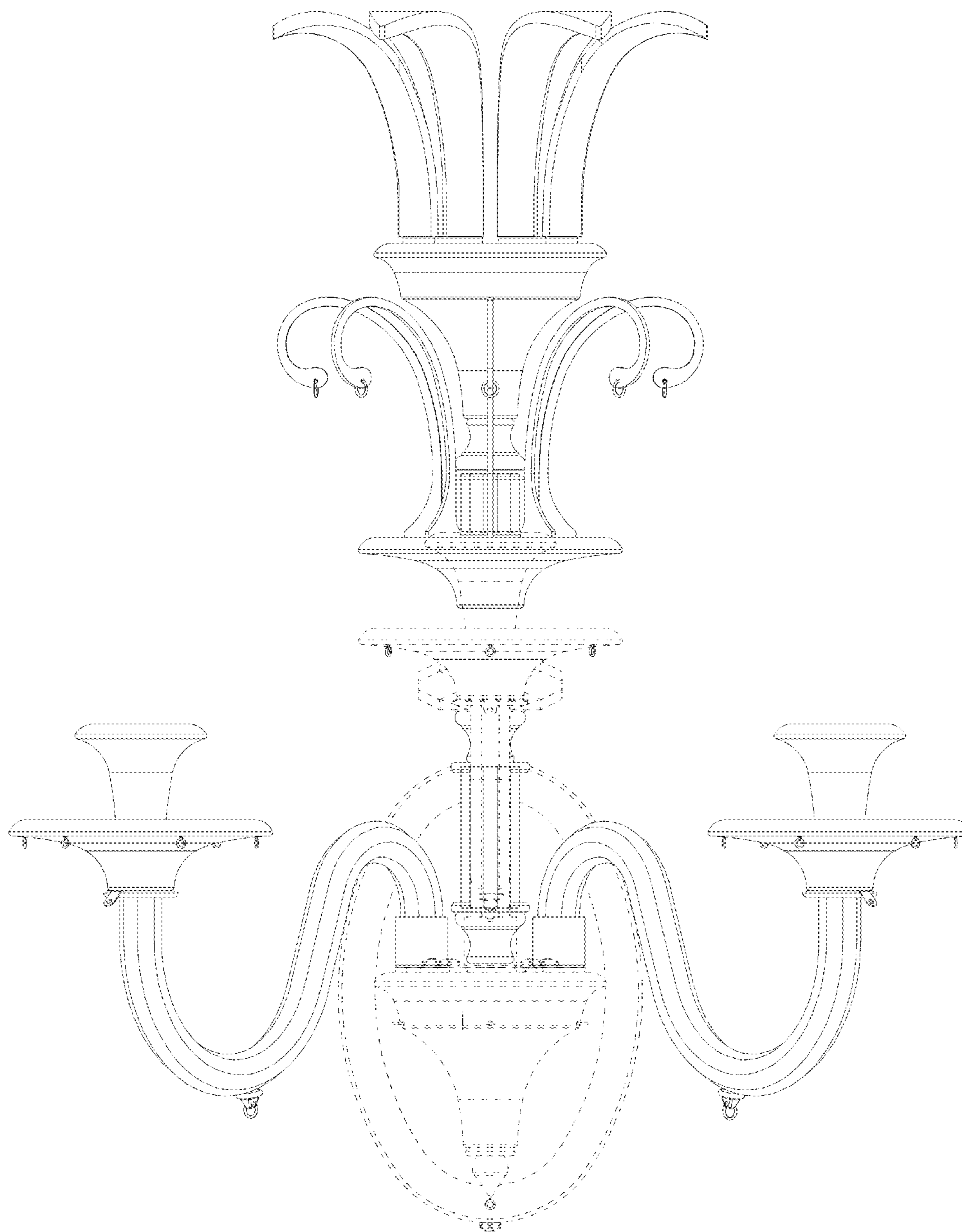


**FIG. 14**

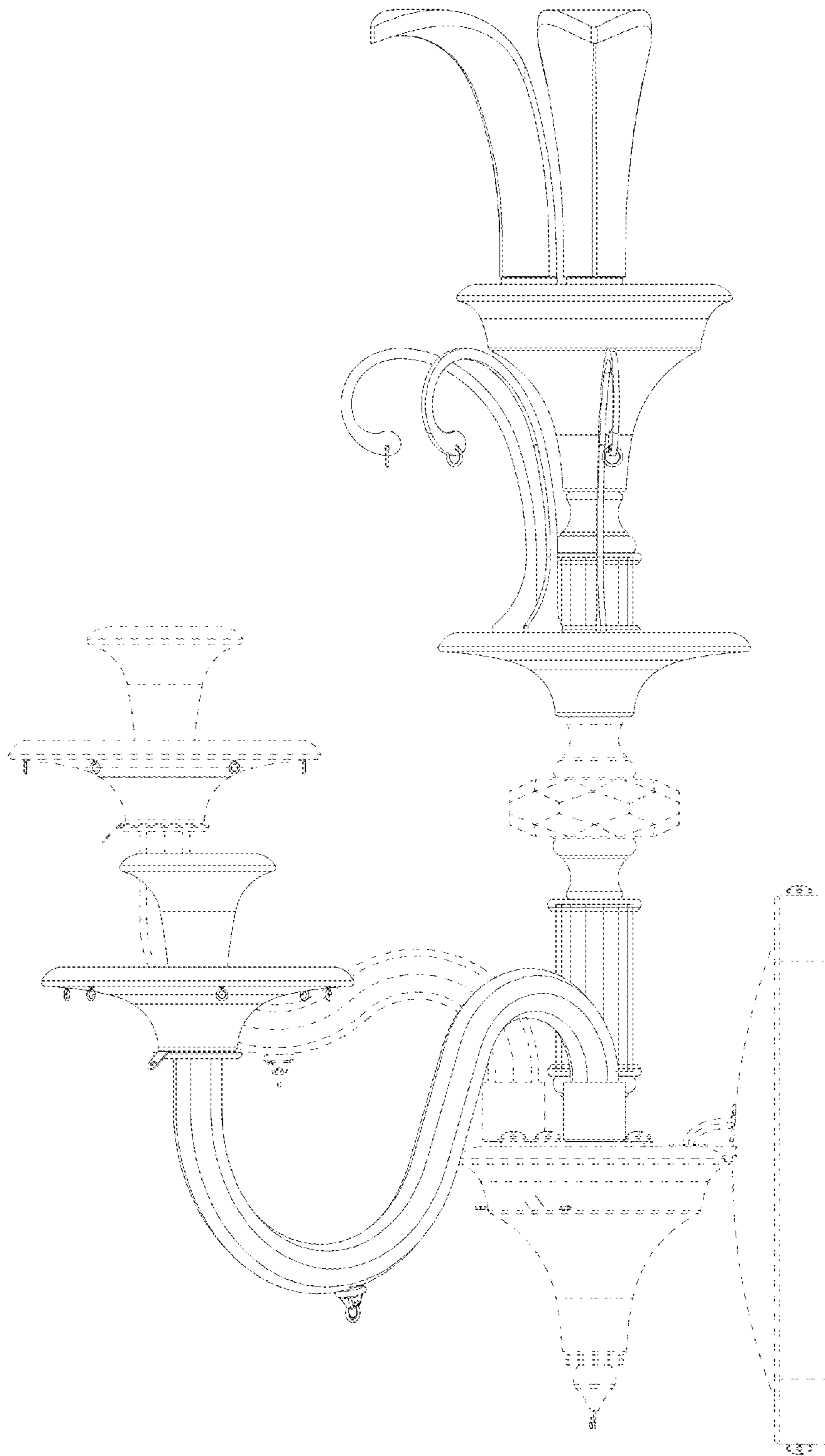




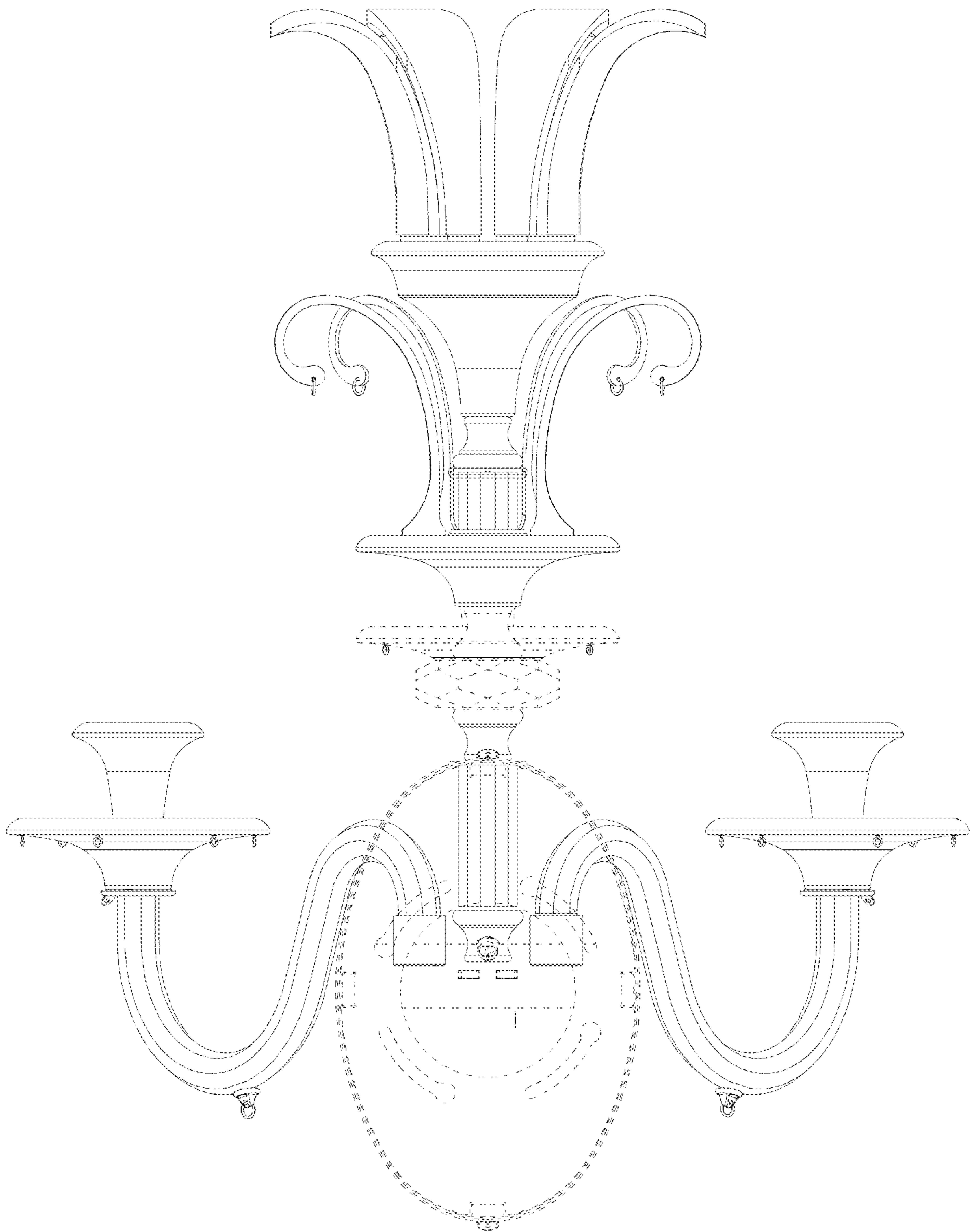
**FIG. 15**



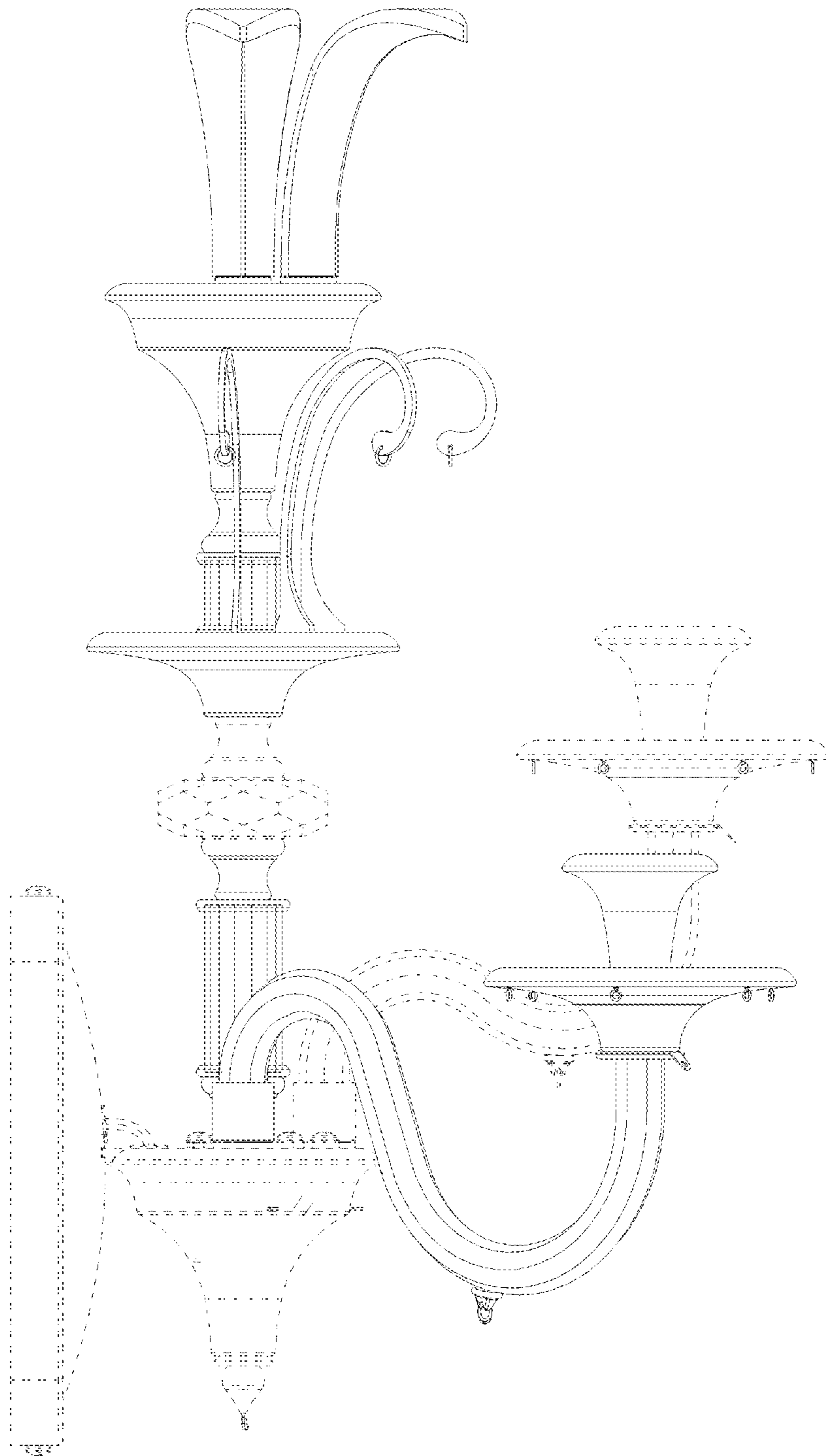
**FIG. 16**



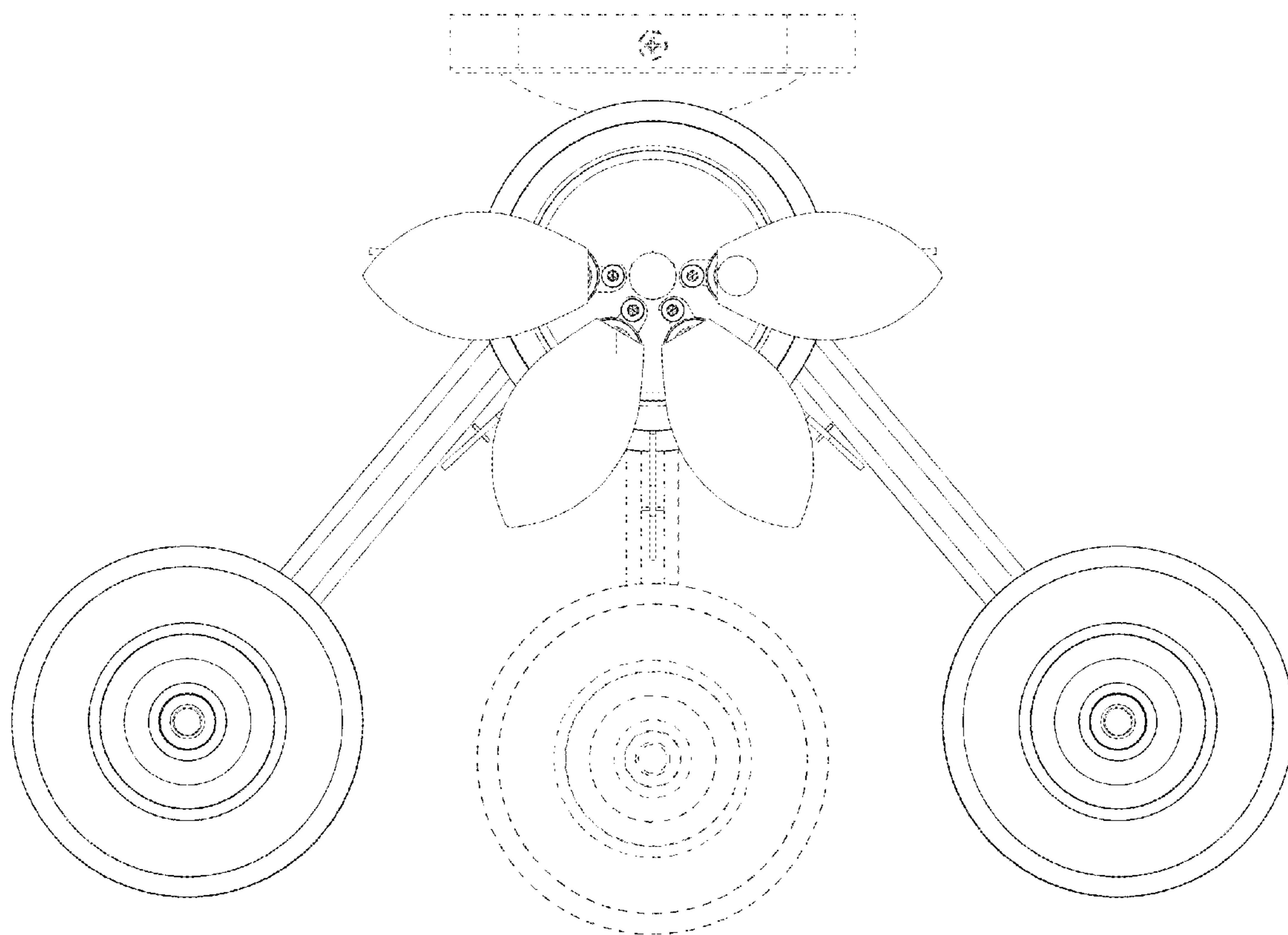
**FIG. 17**



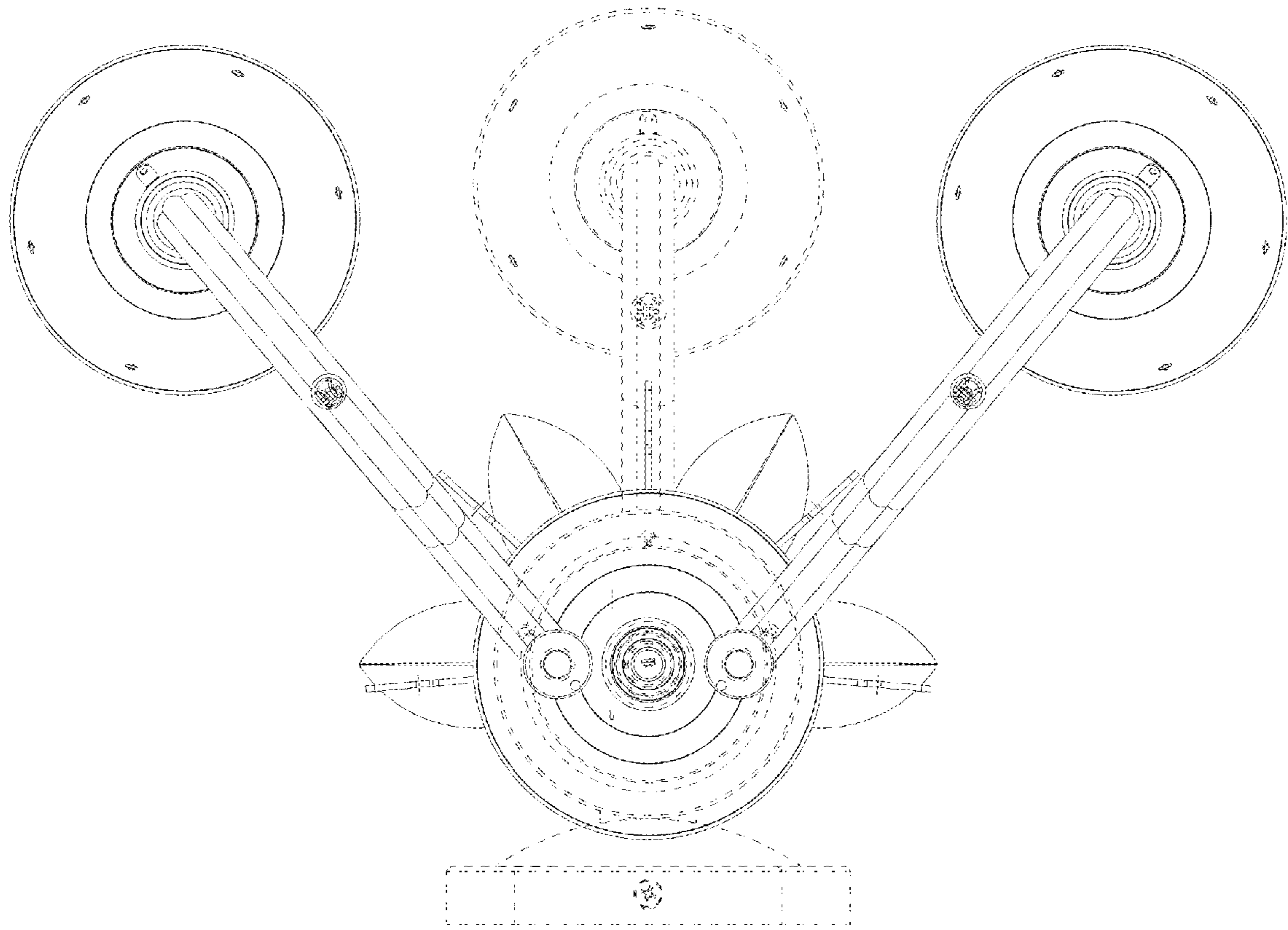
**FIG. 18**



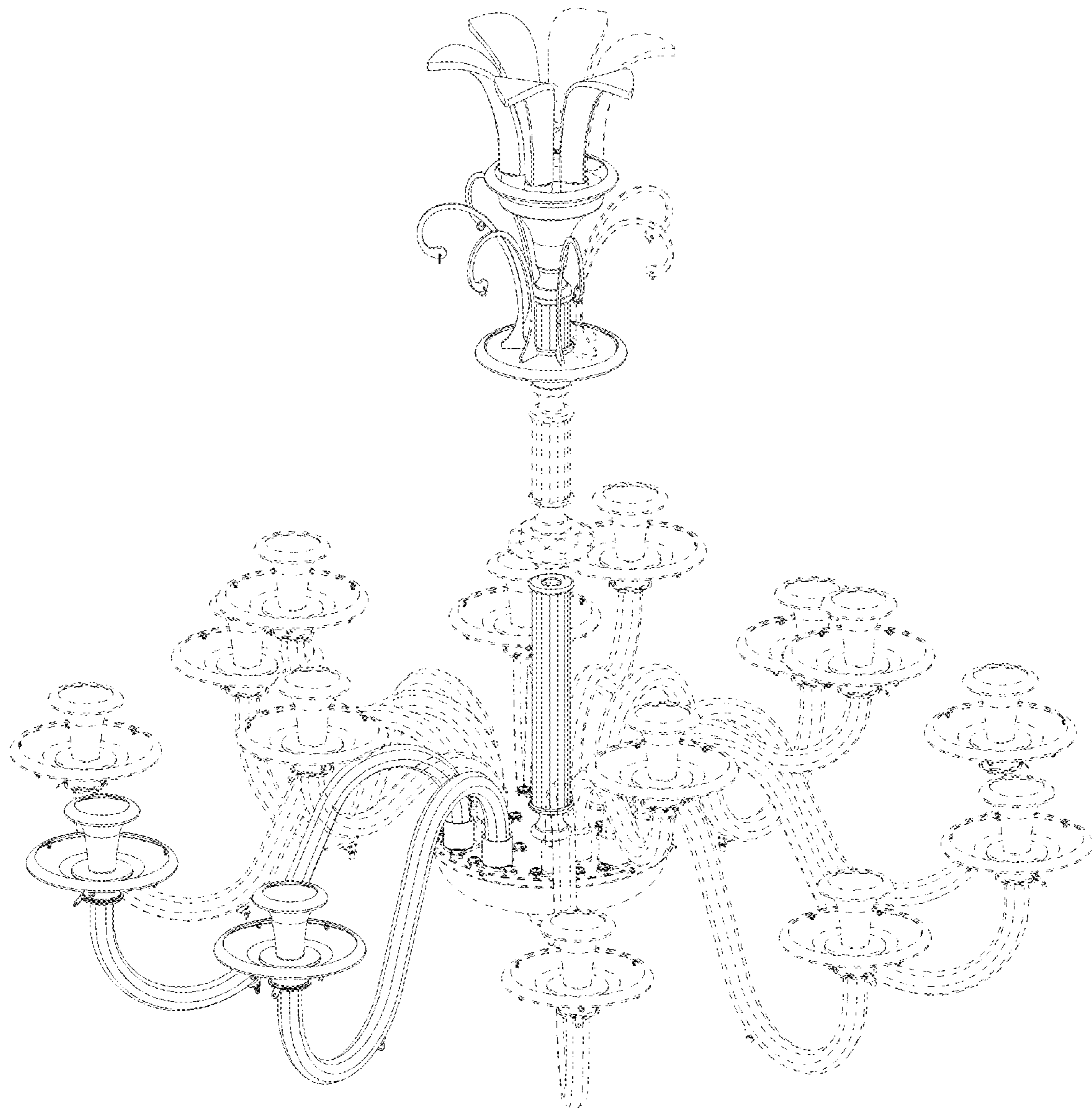
**FIG. 19**



**FIG. 20**

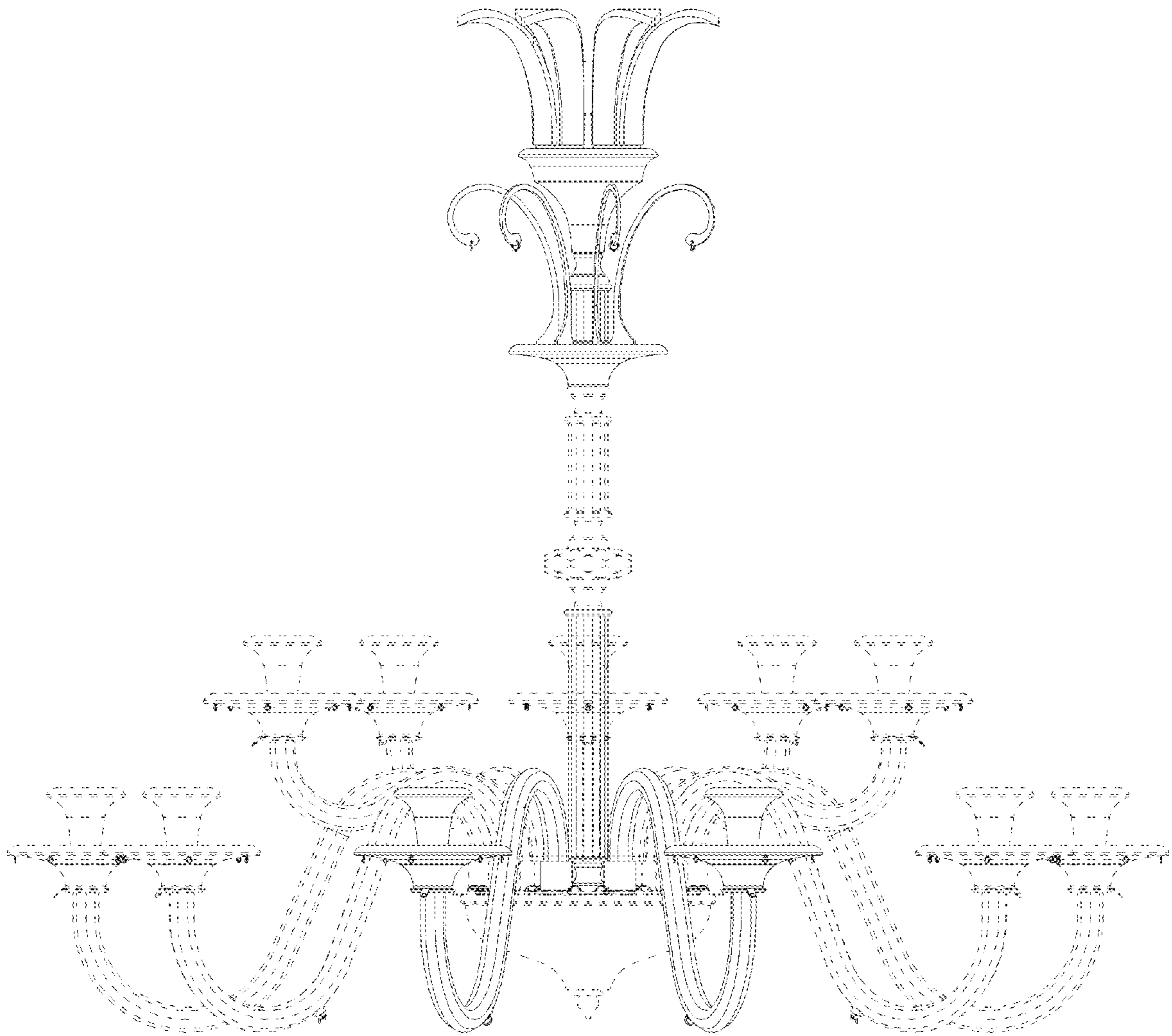


**FIG. 21**

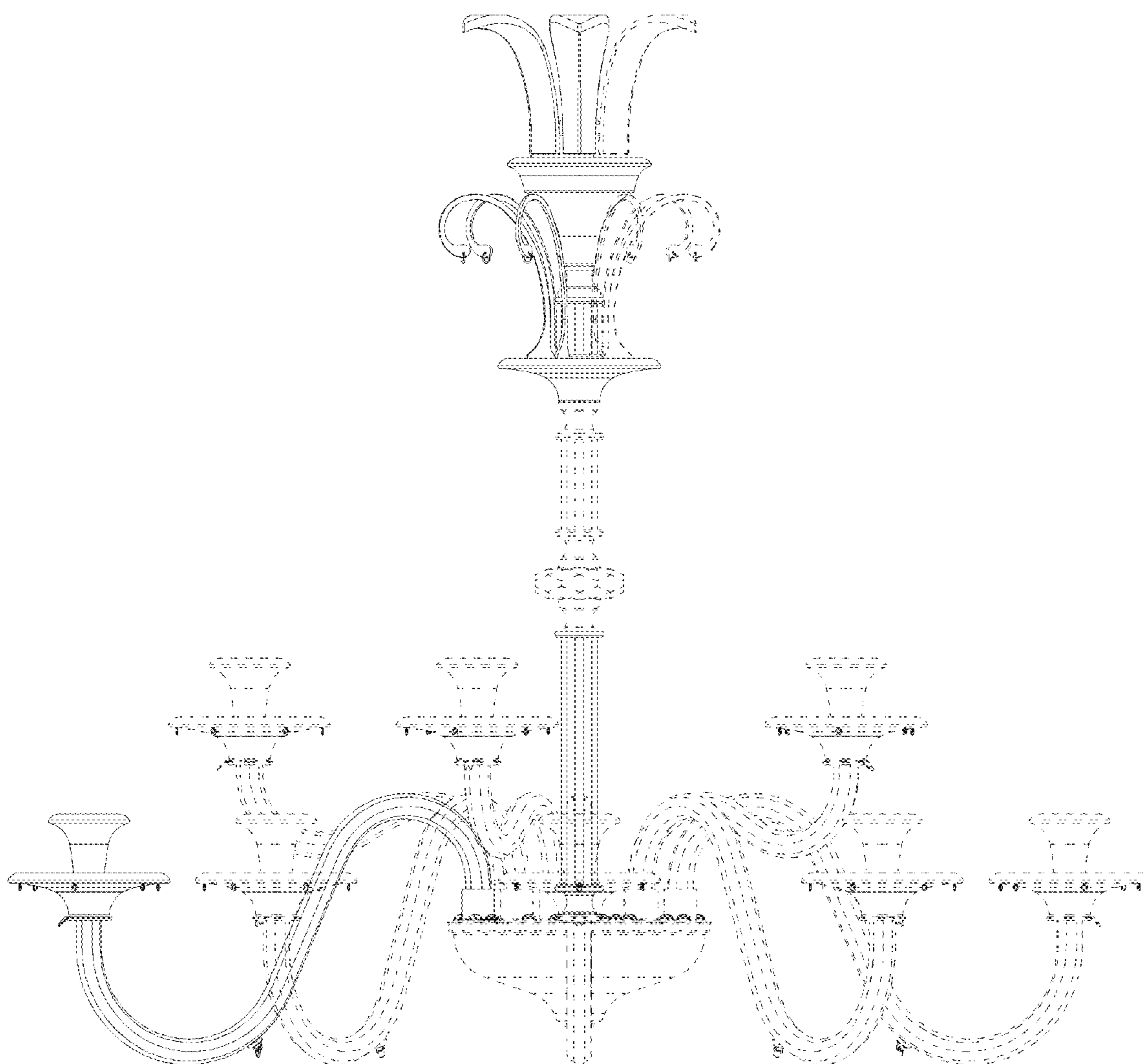


**FIG. 22**

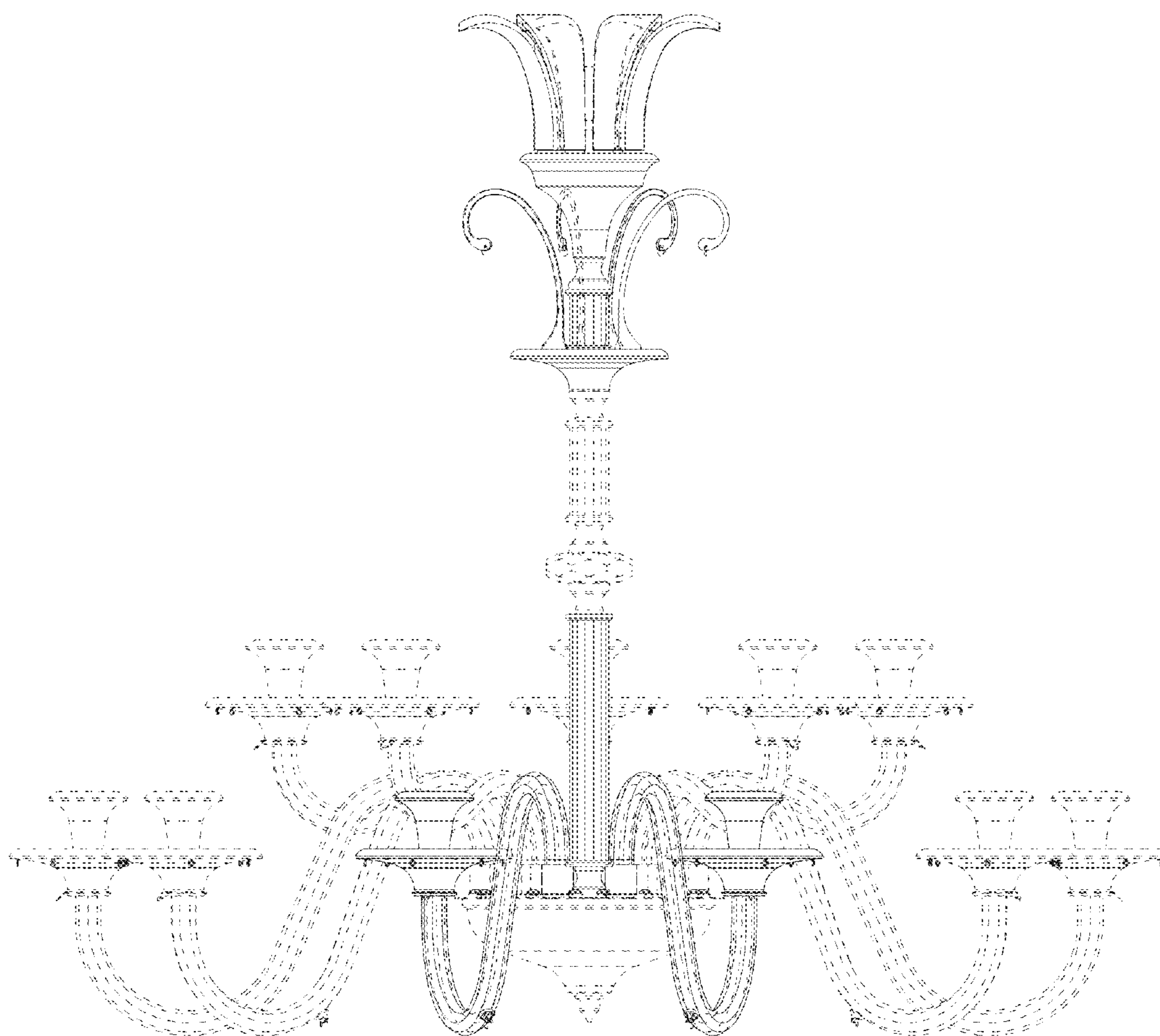




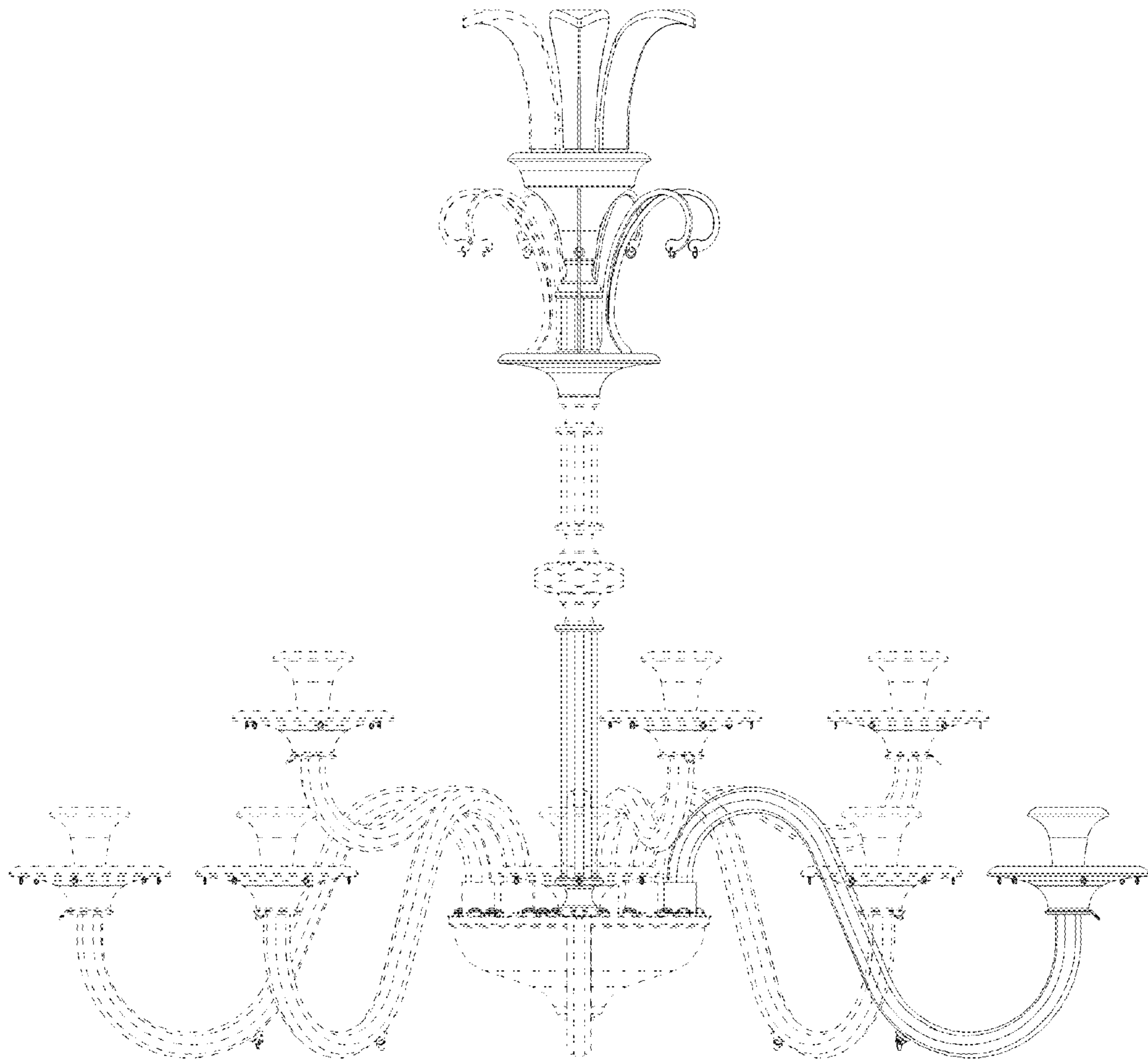
**FIG. 23**



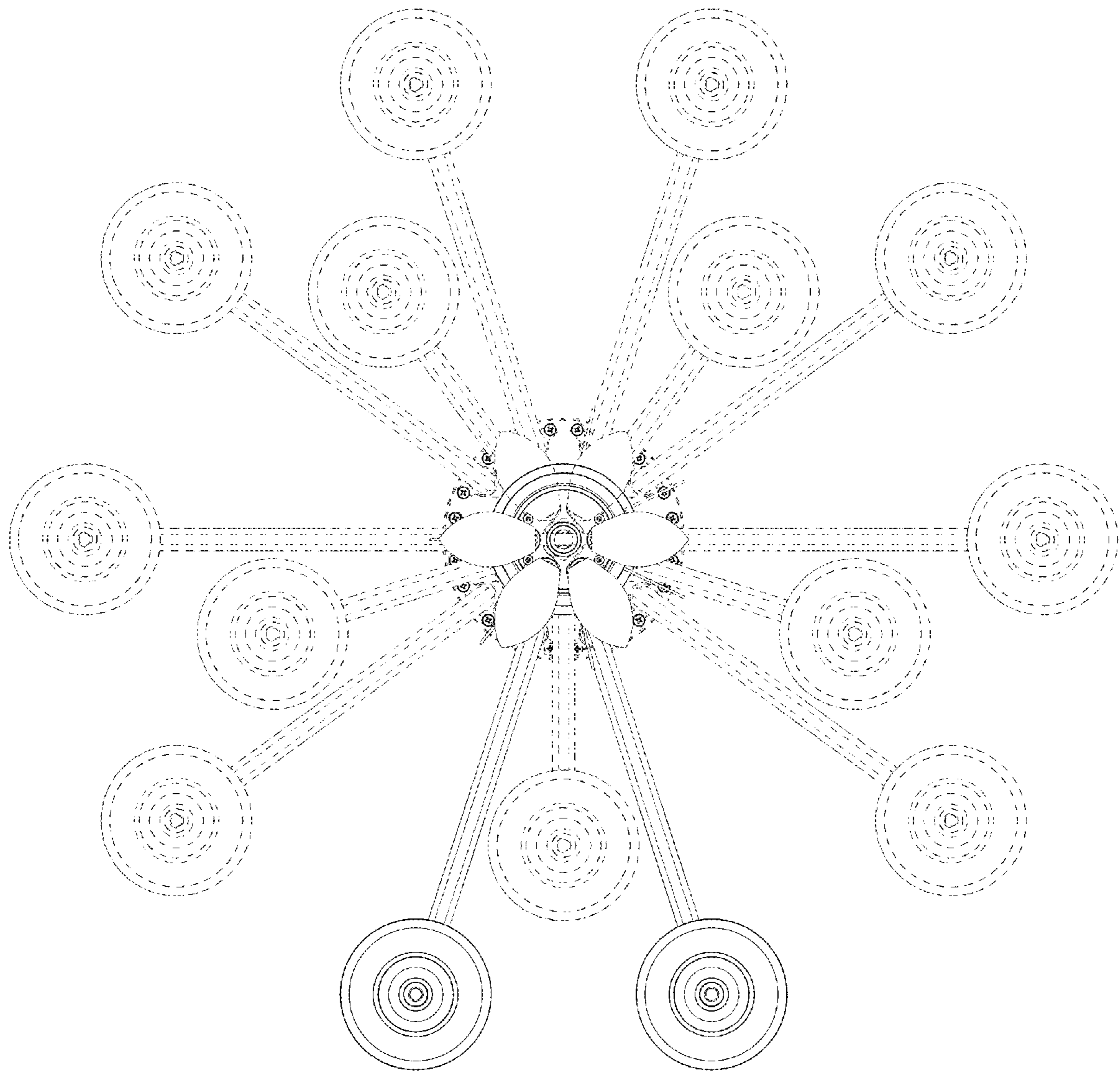
**FIG. 24**



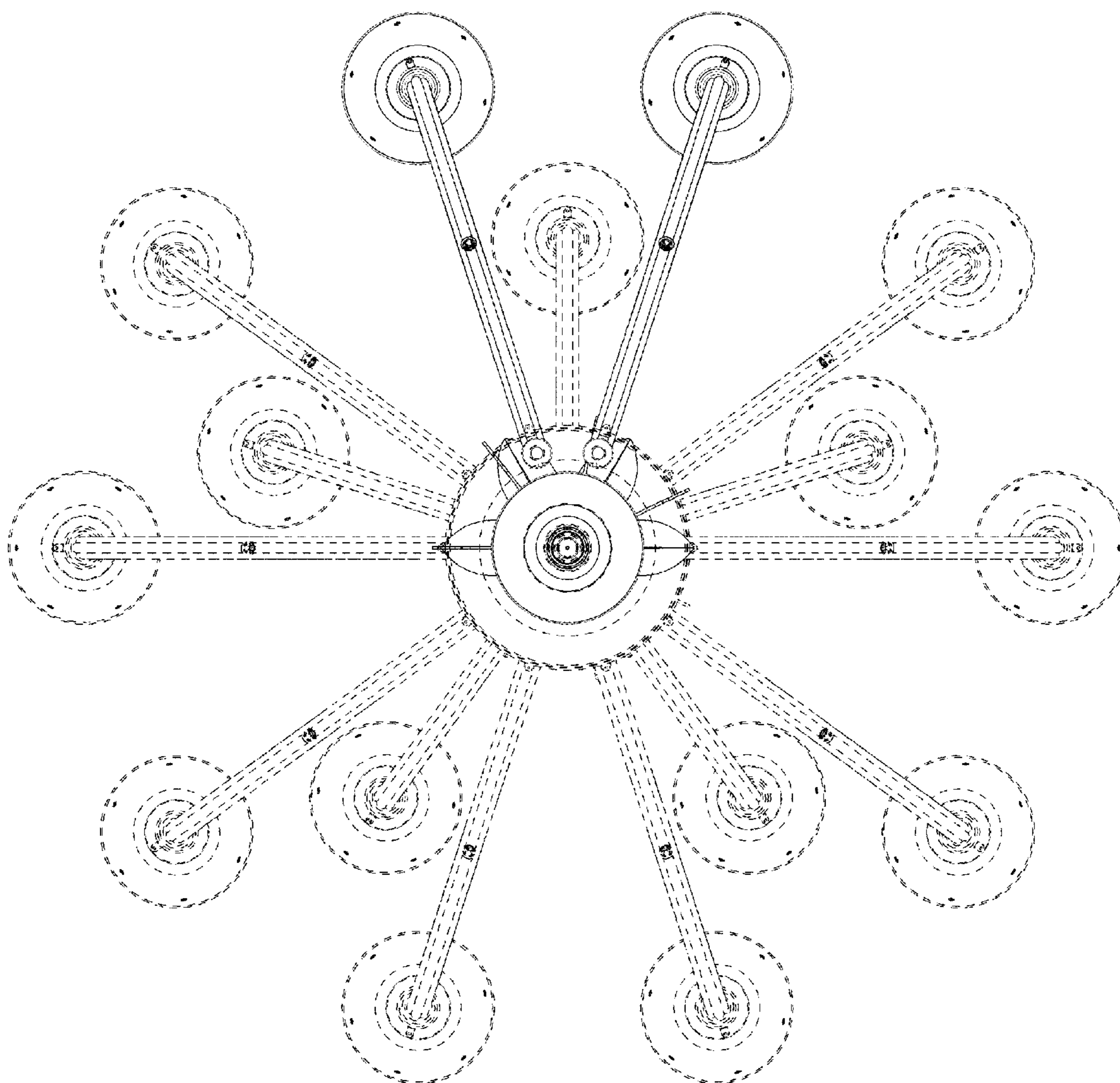
**FIG. 25**



**FIG. 26**



**FIG. 27**



**FIG. 28**