



US00D708779S

(12) **United States Design Patent**
Cha et al.

(10) **Patent No.:** **US D708,779 S**
(45) **Date of Patent:** **** Jul. 8, 2014**

(54) **LED LIGHT LAMP**

(71) Applicant: **Samsung Electronics Co., Ltd.**,
Suwon-si (KR)

(72) Inventors: **Min-ho Cha**, Seoul (KR); **Young-jin Kim**,
Gunpo-si (KR); **Woo-joo Choi**, Anyang-si (KR)

(73) Assignee: **Samsung Electronics Co., Ltd.**,
Suwon-si (KR)

(**) Term: **14 Years**

(21) Appl. No.: **29/470,626**

(22) Filed: **Oct. 23, 2013**

(30) **Foreign Application Priority Data**

Apr. 23, 2013 (KR) 30-2013-0021398

(51) **LOC (10) Cl.** **26-99**

(52) **U.S. Cl.**
USPC **D26/125**

(58) **Field of Classification Search**
USPC D26/63, 120, 118, 113, 119, 121, 122,
D26/123, 65, 66, 68, 124, 125, 72, 76, 1, 2,
D26/128, 69, 74, 88, 89, 87, 61, 92, 98, 93,
D26/86; 362/158, 240, 260, 235, 249.02,
362/249.11, 294, 364, 335; D13/179, 180
See application file for complete search history.

(56) **References Cited**

U.S. PATENT DOCUMENTS

D225,259 S *	11/1972	Skupien	D26/73
D329,298 S *	9/1992	Huang	D26/62
D360,061 S *	7/1995	Ahn	D1/106
D411,853 S *	7/1999	Cieslikowski	D16/219
D442,856 S *	5/2001	Davis	D9/653
D462,611 S *	9/2002	Weinstock	D9/653
D465,868 S *	11/2002	Gaskins et al.	D26/72
D470,184 S *	2/2003	Kagel	D19/78

D470,965 S *	2/2003	Landefeld	D26/71
D482,813 S *	11/2003	Waldmann	D26/61
D485,929 S *	1/2004	Cvek	D26/65
D506,018 S *	6/2005	Campo	D26/62
D506,025 S *	6/2005	Chen	D27/148
D513,088 S *	12/2005	Baarman et al.	D26/106
D513,472 S *	1/2006	Goldberg	D8/383
D538,953 S *	3/2007	Mama	D26/2
D569,031 S *	5/2008	Friedman et al.	D26/85
D578,698 S *	10/2008	Zheng	D26/71
D580,085 S *	11/2008	Svensson	D26/71
D597,239 S *	7/2009	Hodgson	D26/65
D617,040 S *	6/2010	Hsieh	D26/118
D619,287 S *	7/2010	Liu	D26/62
D636,513 S *	4/2011	Furtsch	D26/51
D644,368 S *	8/2011	Fu	D26/65
8,002,432 B2 *	8/2011	Chen et al.	362/183
D662,242 S *	6/2012	Yu	D26/63
D666,761 S *	9/2012	Citterio	D26/87
D669,627 S *	10/2012	Huang	D26/107
D683,887 S *	6/2013	Sabernig	D26/93
D688,289 S *	8/2013	Hodgson	D16/135

* cited by examiner

Primary Examiner — Kevin Runzinski

(74) *Attorney, Agent, or Firm* — Sughrue Mion, PLLC

(57) **CLAIM**

The ornamental design for a LED light lamp, as shown and described.

DESCRIPTION

FIG. 1 is a perspective view of a LED light lamp showing my new design;
FIG. 2 is a front elevational view thereof;
FIG. 3 is a rear elevational view thereof;
FIG. 4 is a left side elevational view thereof;
FIG. 5 is a right side elevational view thereof;
FIG. 6 is a top plan view thereof; and,
FIG. 7 is a bottom plan view thereof.
The broken lines depict environmental subject matter only and form no part of the claimed design.

1 Claim, 6 Drawing Sheets

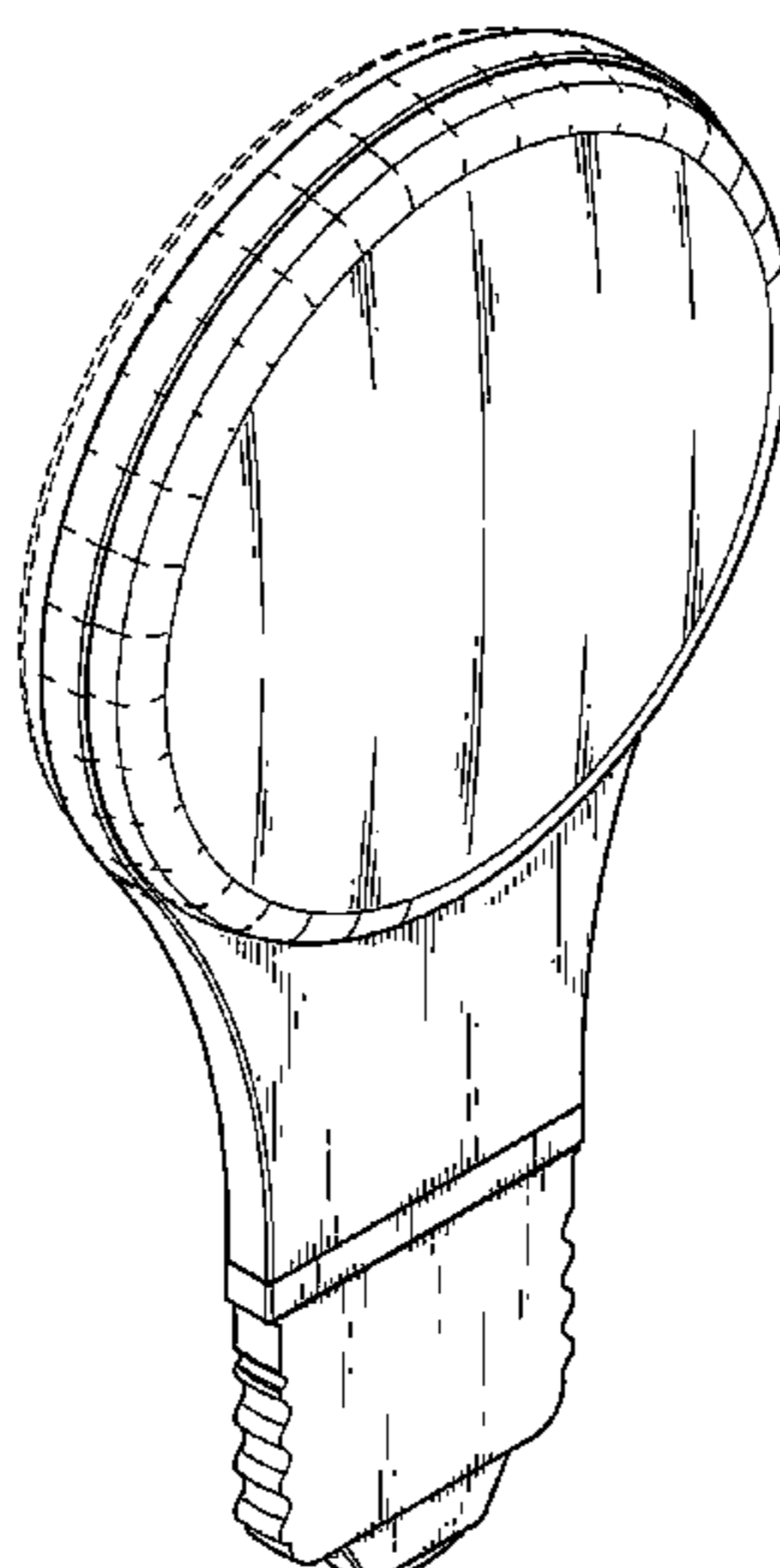


FIG. 1

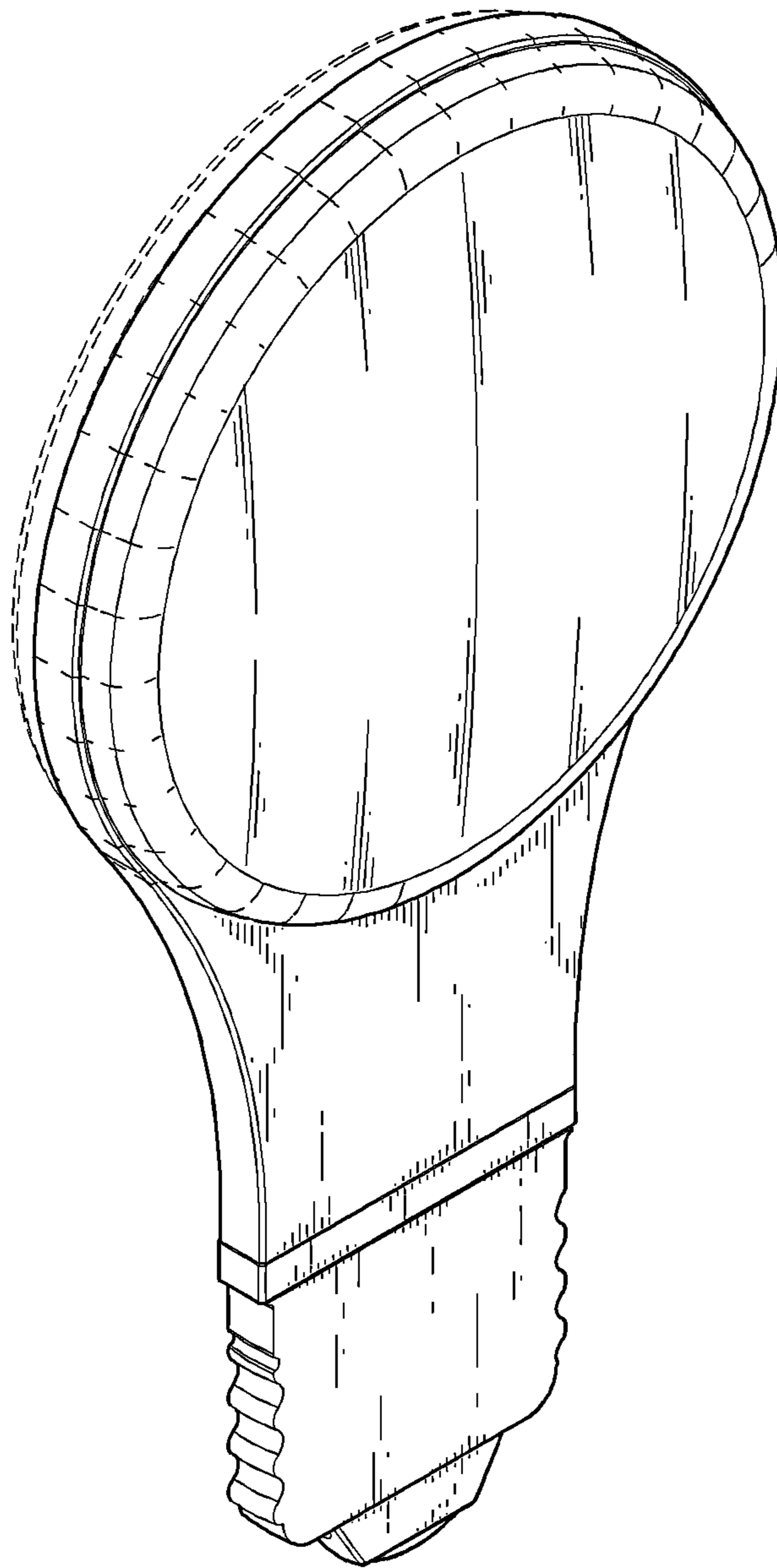


FIG. 2

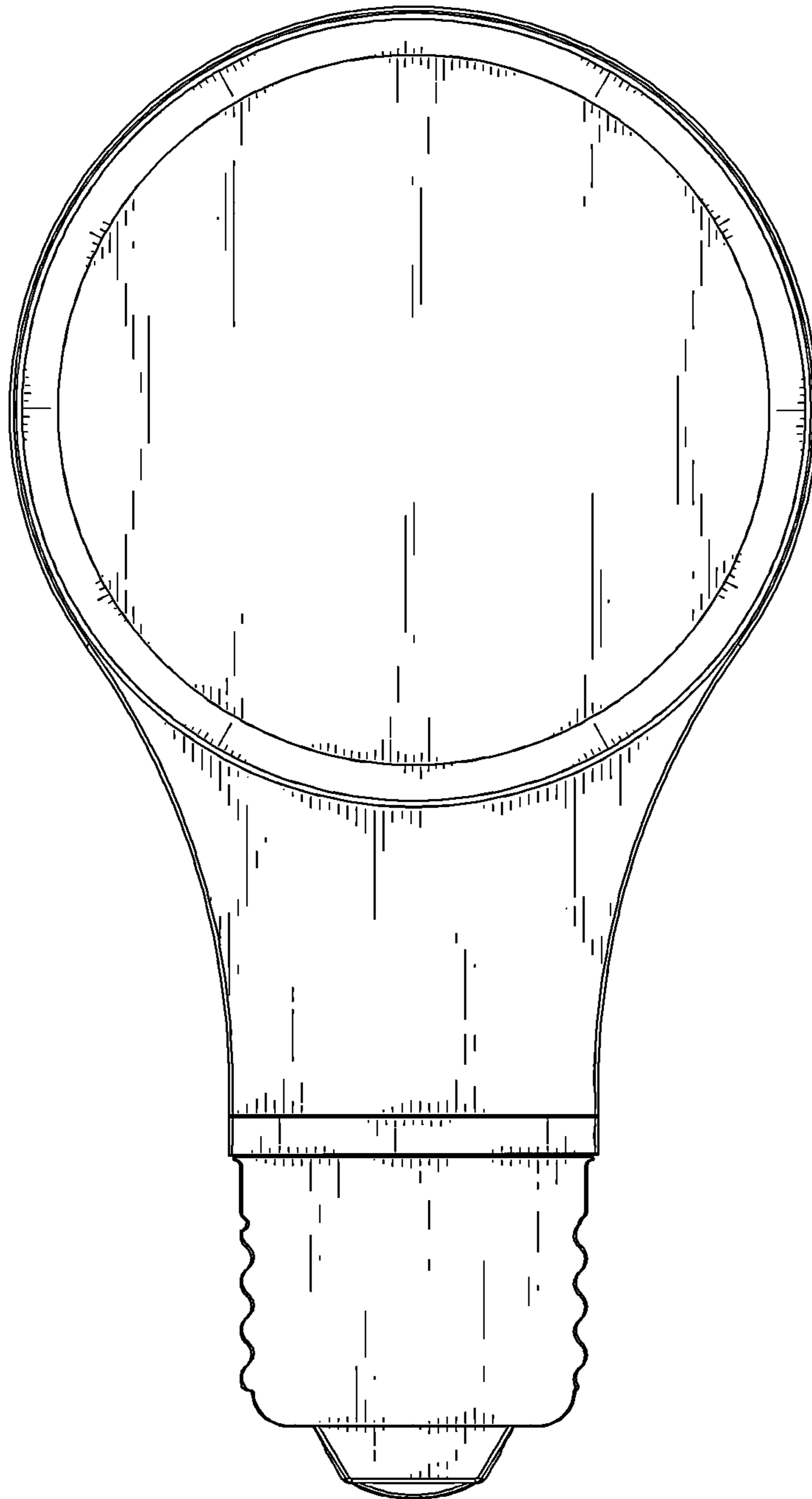


FIG. 3

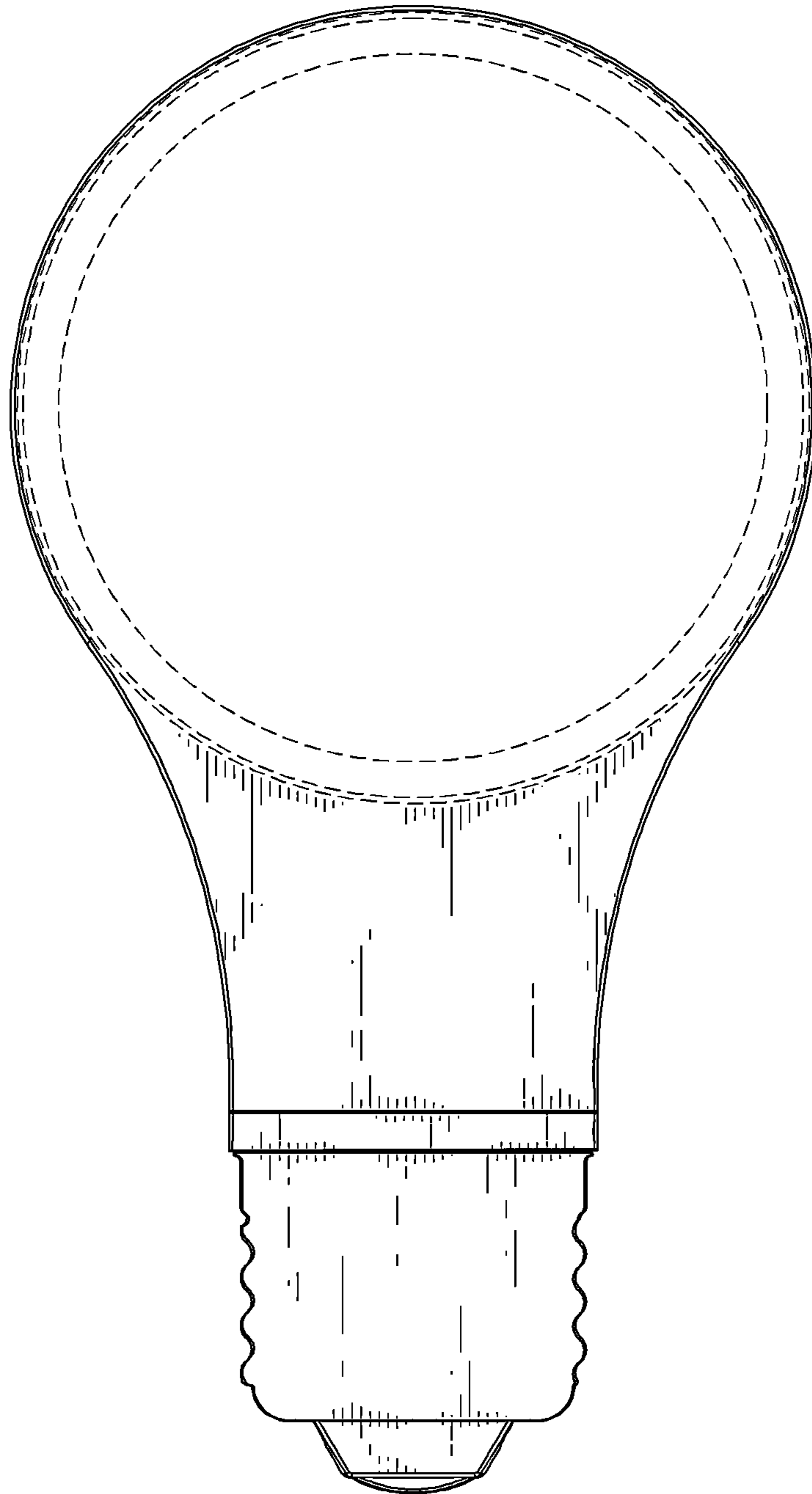


FIG. 4

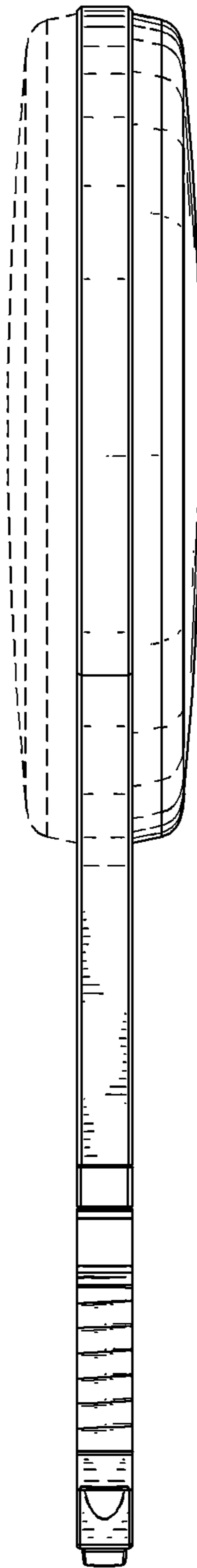


FIG. 5

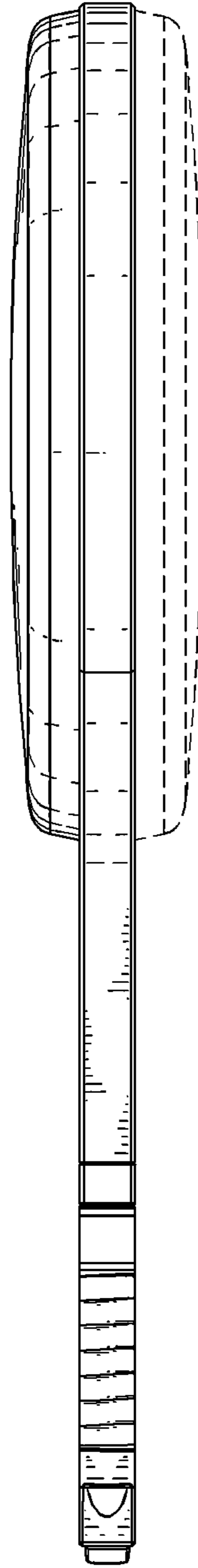


FIG. 6

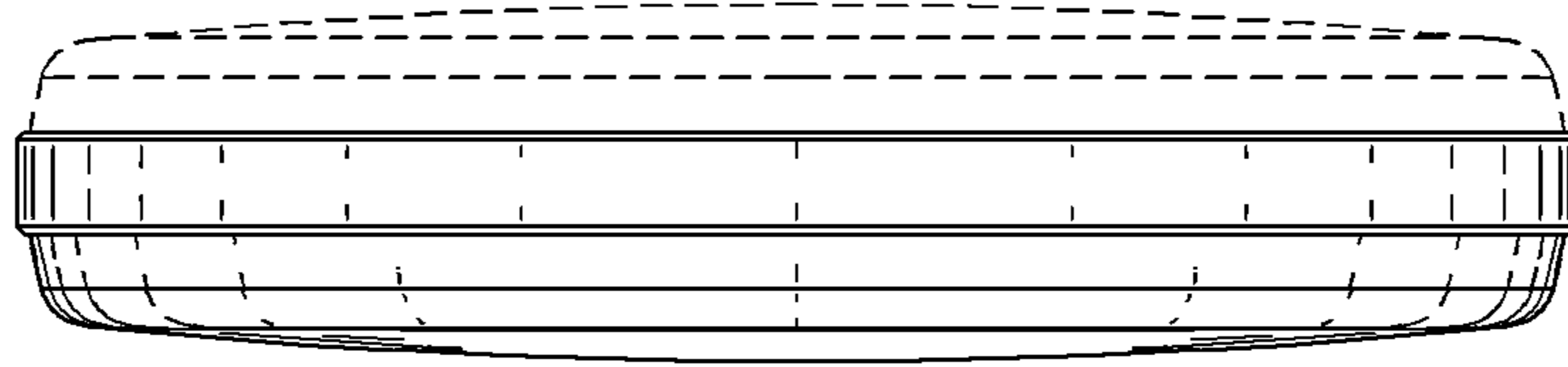


FIG. 7

