



US00D708778S

(12) **United States Design Patent**  
**Sibitzky et al.**

(10) **Patent No.:** **US D708,778 S**  
(45) **Date of Patent:** **\*\* Jul. 8, 2014**

(54) **LIGHT FIXTURE**

(71) Applicants: **Pete D. Sibitzky**, Lakeside, CA (US);  
**Stephen P. Adams**, Mesa, AZ (US)

(72) Inventors: **Pete D. Sibitzky**, Lakeside, CA (US);  
**Stephen P. Adams**, Mesa, AZ (US)

(73) Assignee: **JST Performance, Inc.**, Gilbert, AZ  
(US)

(\*\*) Term: **14 Years**

(21) Appl. No.: **29/471,585**

(22) Filed: **Nov. 1, 2013**

(51) **LOC (10) Cl.** ..... **26-99**

(52) **U.S. Cl.**  
USPC ..... **D26/118**

(58) **Field of Classification Search**  
USPC ..... D26/63, 120, 118, 113, 119, 121, 122,  
D26/123, 65, 66, 68, 124, 125, 72, 76, 1, 2,  
D26/128, 69, 74, 88, 89, 87, 61, 92, 98, 93,  
D26/86; 362/158, 240, 260, 235, 249.02,  
362/249.11, 294, 364, 335; D13/179, 180  
See application file for complete search history.

(56) **References Cited**

**U.S. PATENT DOCUMENTS**

D55,392 S *	6/1920	Marcus	.....	D28/8
D190,922 S *	7/1961	Anthony	.....	D26/24
5,685,631 A *	11/1997	Dobert et al.	.....	362/158
D432,443 S *	10/2000	Odegard et al.	.....	D10/111
D434,515 S *	11/2000	McNamara	.....	D26/63
D465,592 S *	11/2002	Lin	.....	D26/65
D565,223 S *	3/2008	Guercio	.....	D26/63
D625,450 S *	10/2010	Rosenkrantz et al.	.....	D26/61
D659,280 S *	5/2012	Guercio et al.	.....	D26/118
D659,867 S *	5/2012	Zhan	.....	D26/37
D666,346 S *	8/2012	Gebhard et al.	.....	D26/63
D672,908 S *	12/2012	Wilcox et al.	.....	D26/118

D675,758 S *	2/2013	Adams	.....	D26/28
D677,815 S *	3/2013	Zhan	.....	D26/37
D679,845 S *	4/2013	Huang	.....	D26/37
2006/0103934 A1 *	5/2006	Nakade et al.	.....	359/523
2008/0089060 A1 *	4/2008	Kondo et al.	.....	362/231
2010/0014289 A1 *	1/2010	Thomas et al.	.....	362/235
2011/0122623 A1 *	5/2011	Miura	.....	362/249.02

\* cited by examiner

*Primary Examiner* — Kevin Rudzinski

(57) **CLAIM**

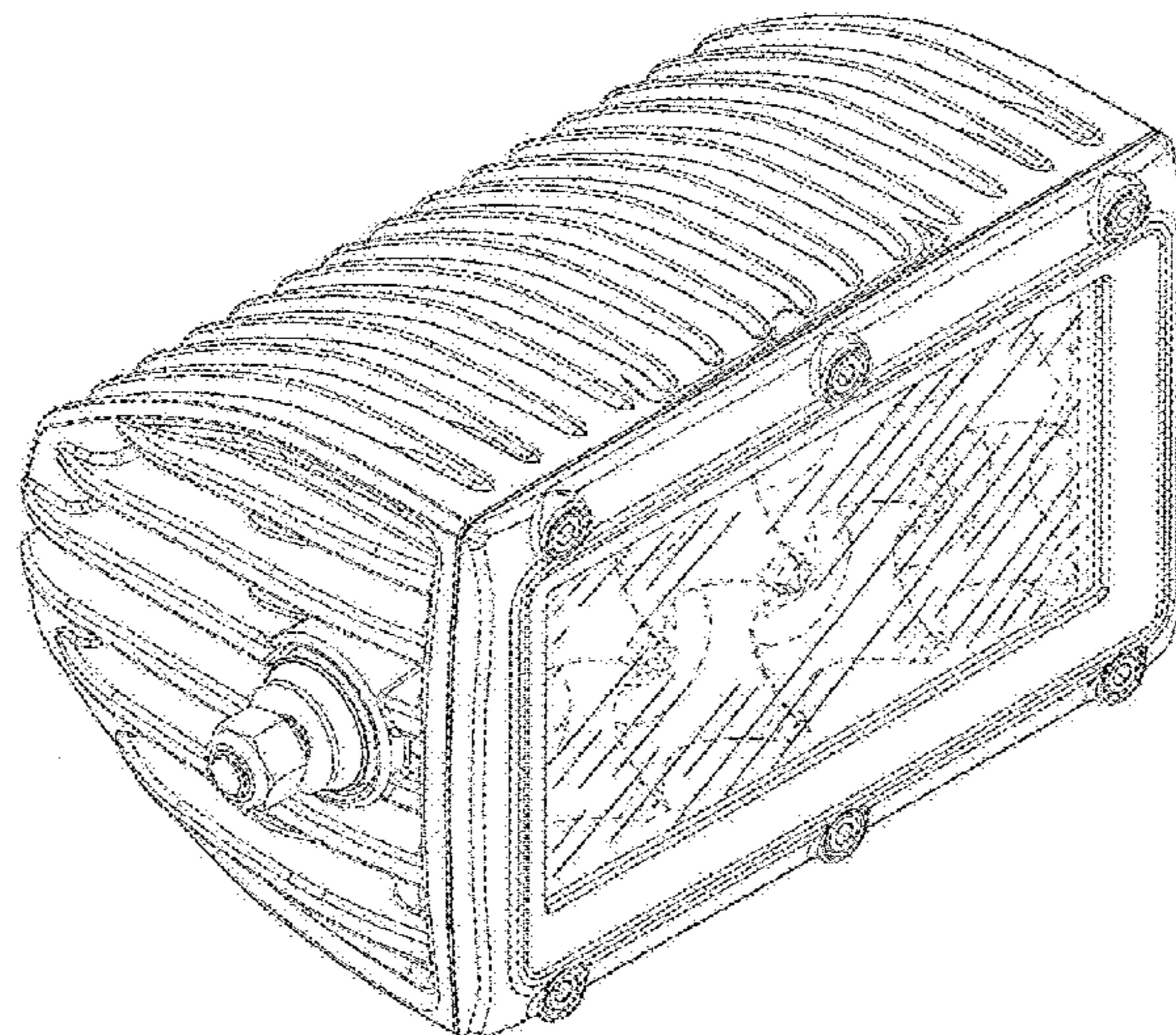
The ornamental design for a light fixture, as shown and described.

**DESCRIPTION**

FIG. 1 is a front and left side perspective view of our new design for a light fixture;  
 FIG. 2 is a front and right side perspective view thereof;  
 FIG. 3 is a second embodiment of FIG. 1, the only difference being the configuration of the lens;  
 FIG. 4 is a second embodiment of FIG. 2, the only difference being the configuration of the lens;  
 FIG. 5 is a third embodiment of FIG. 1, the only difference being the configuration of the lens;  
 FIG. 6 is a third embodiment of FIG. 2, the only difference being the configuration of the lens;  
 FIG. 7 is a back and left side perspective view thereof;  
 FIG. 8 is a back and right side perspective view thereof;  
 FIG. 9 is a front side view thereof;  
 FIG. 10 is a back side view thereof;  
 FIG. 11 is a left side view thereof;  
 FIG. 12 is a right side view thereof;  
 FIG. 13 is a top side view thereof; and,  
 FIG. 14 is a bottom side view thereof.

The broken lines showing environment in the drawings are for illustrative purposes only and form no part of the claimed design.

**1 Claim, 10 Drawing Sheets**





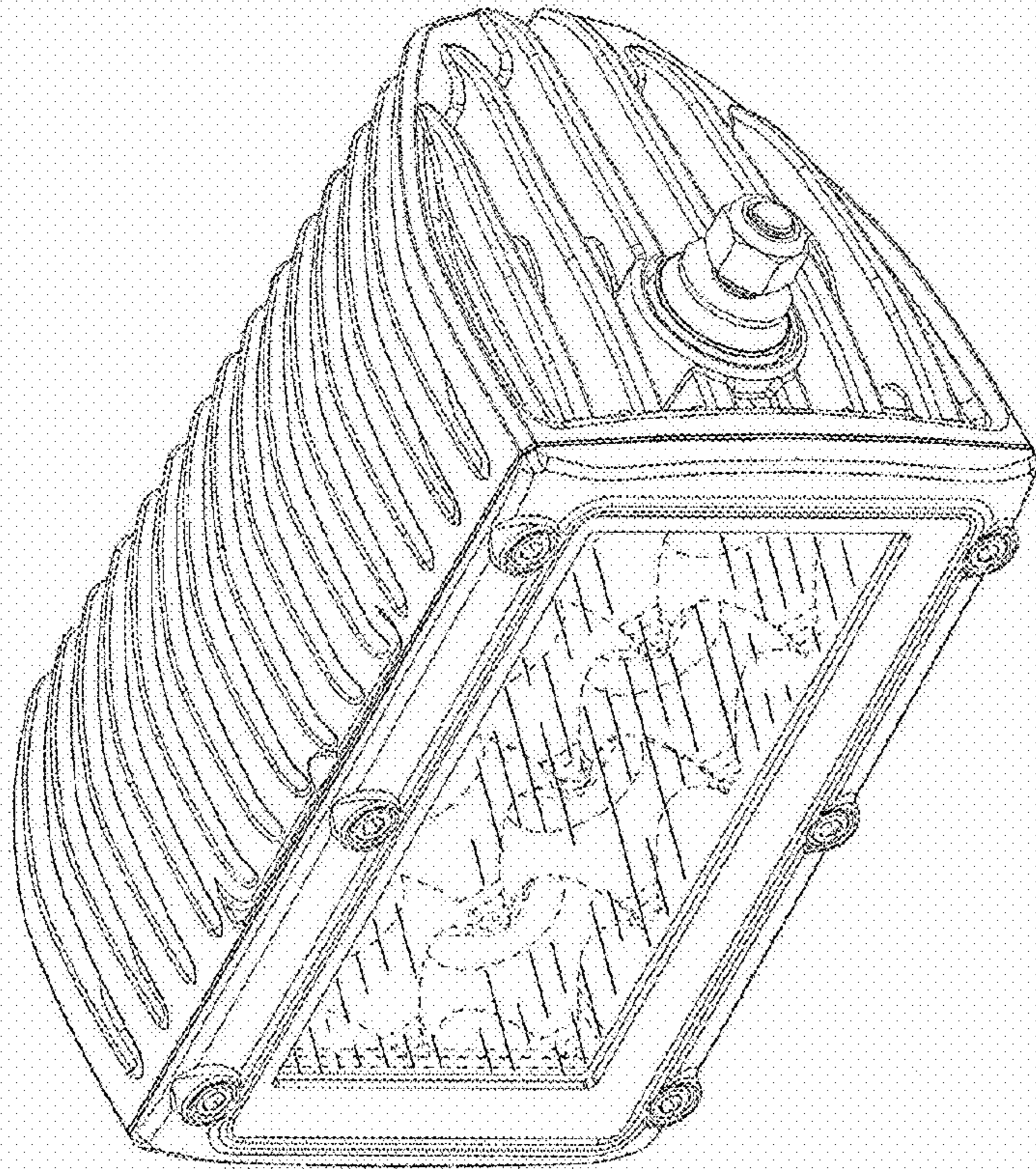


FIG. 2

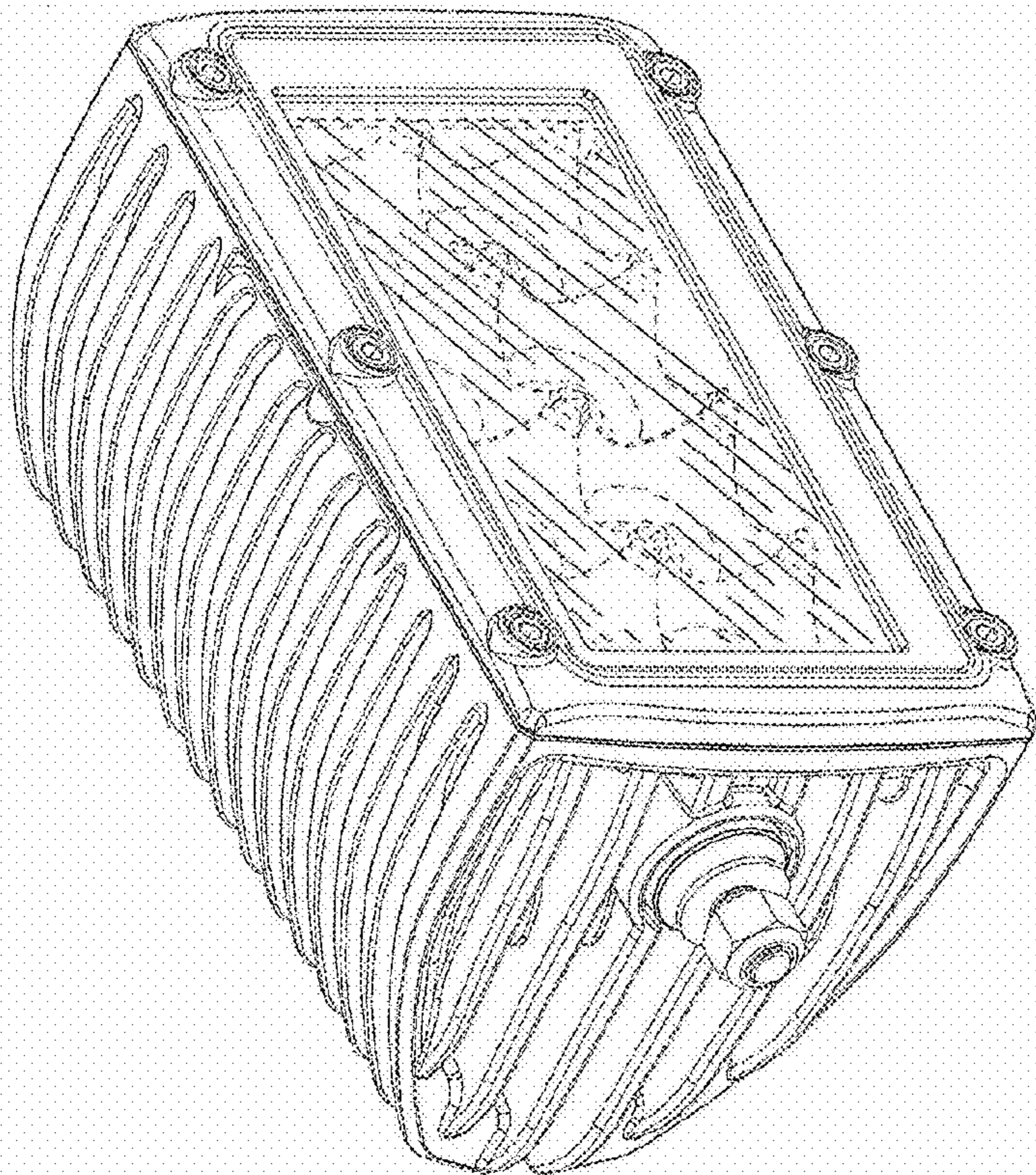


FIG. 1



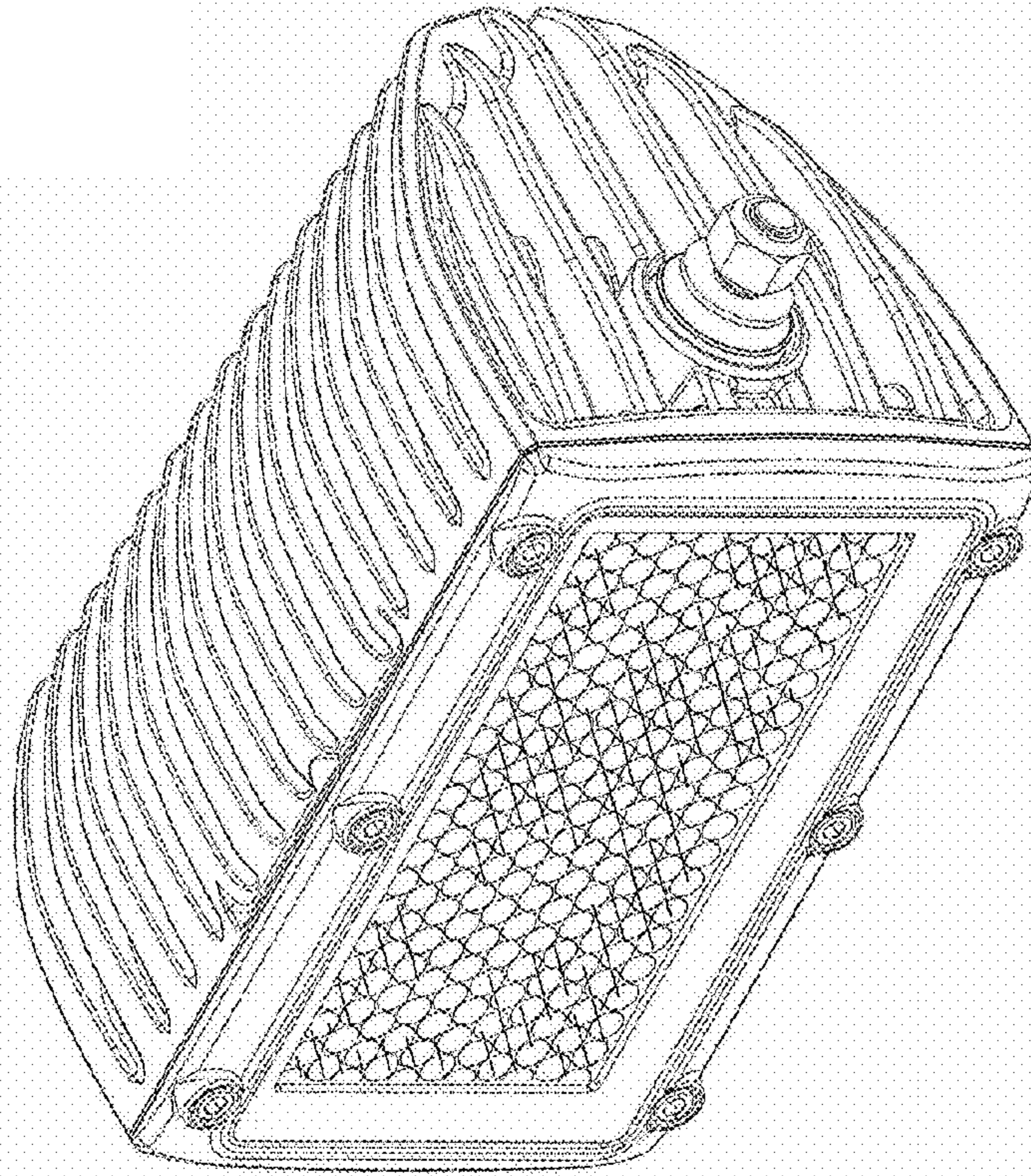


FIG. 4

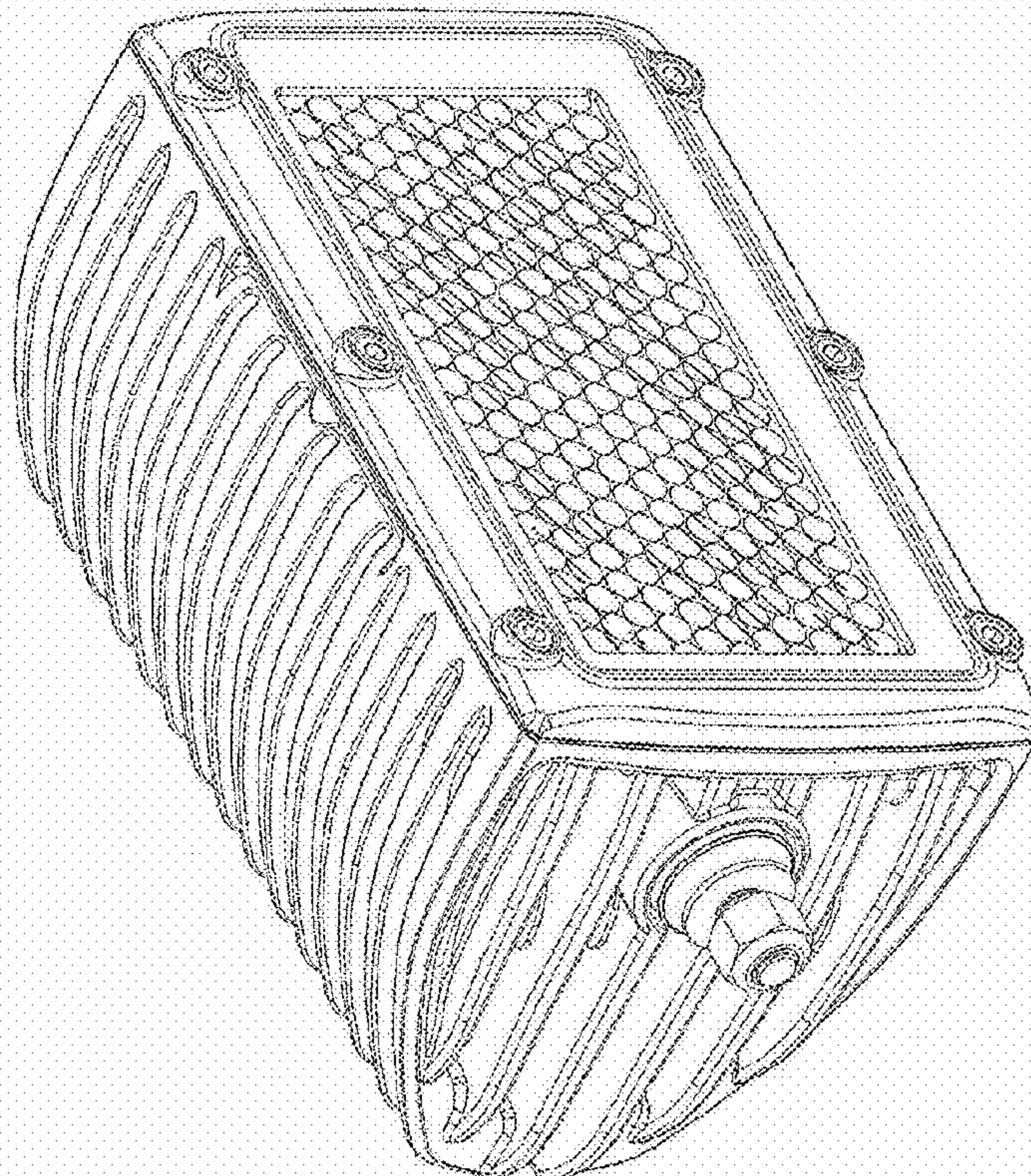


FIG. 3



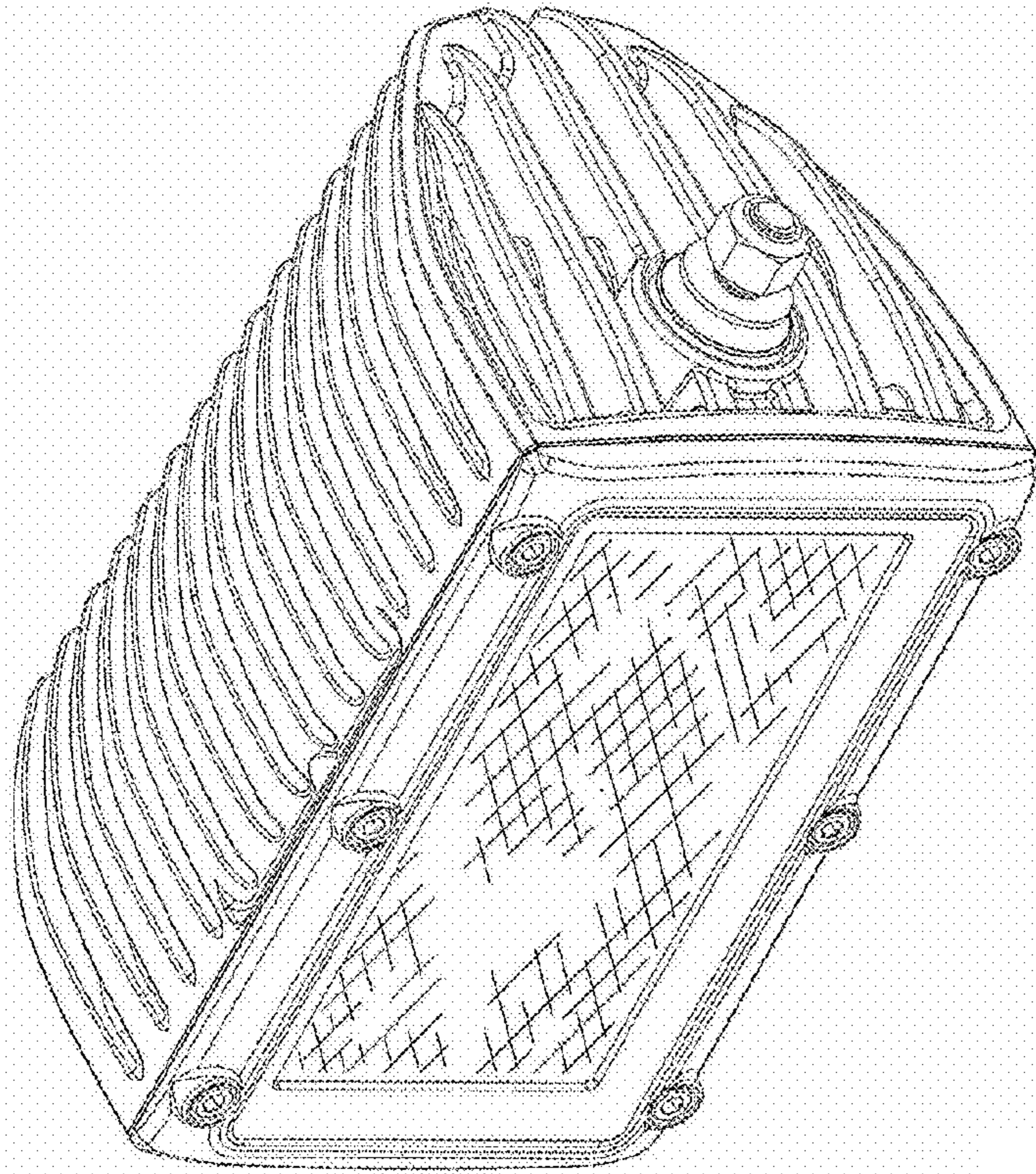


FIG. 6

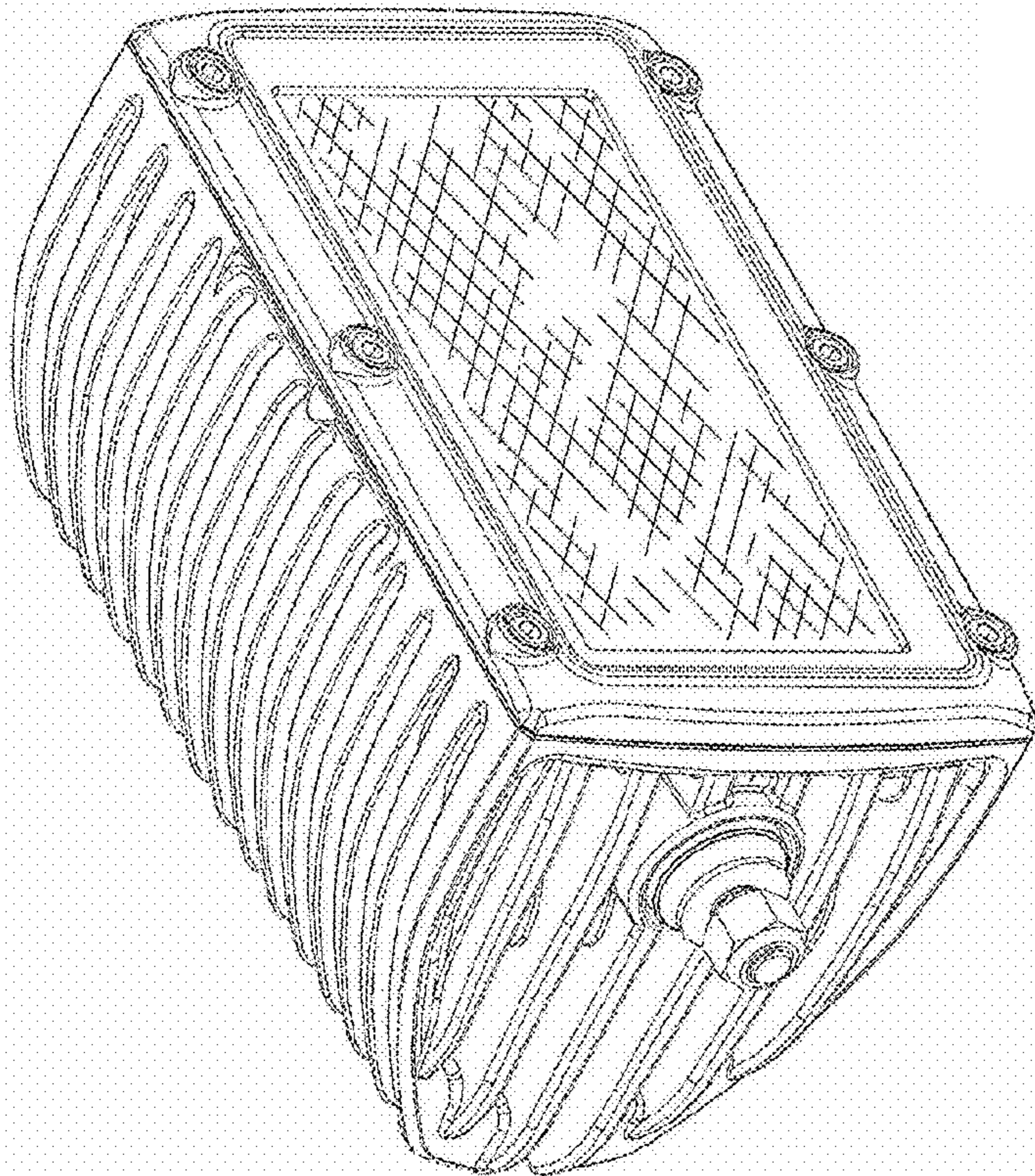


FIG. 5



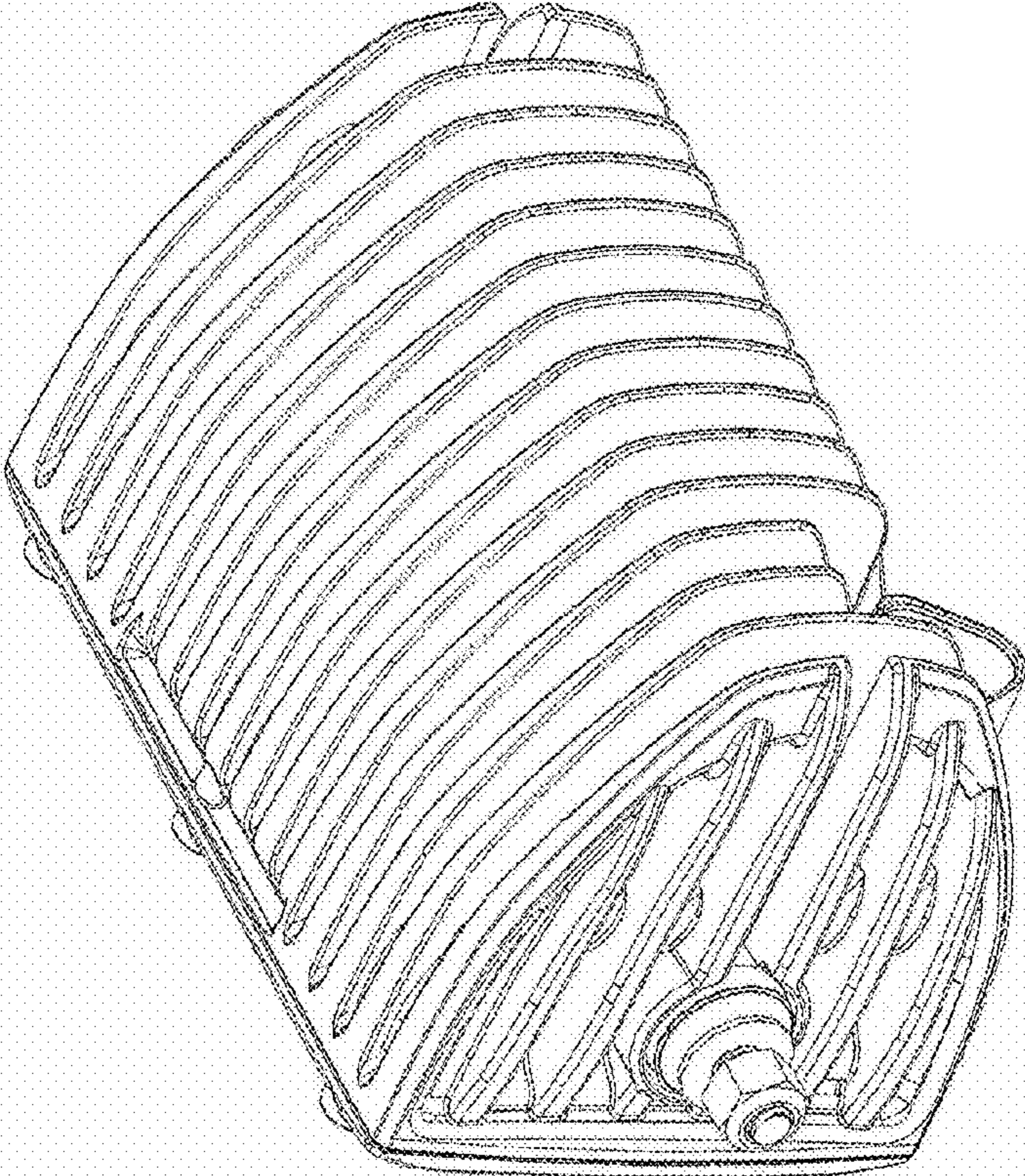


FIG. 8

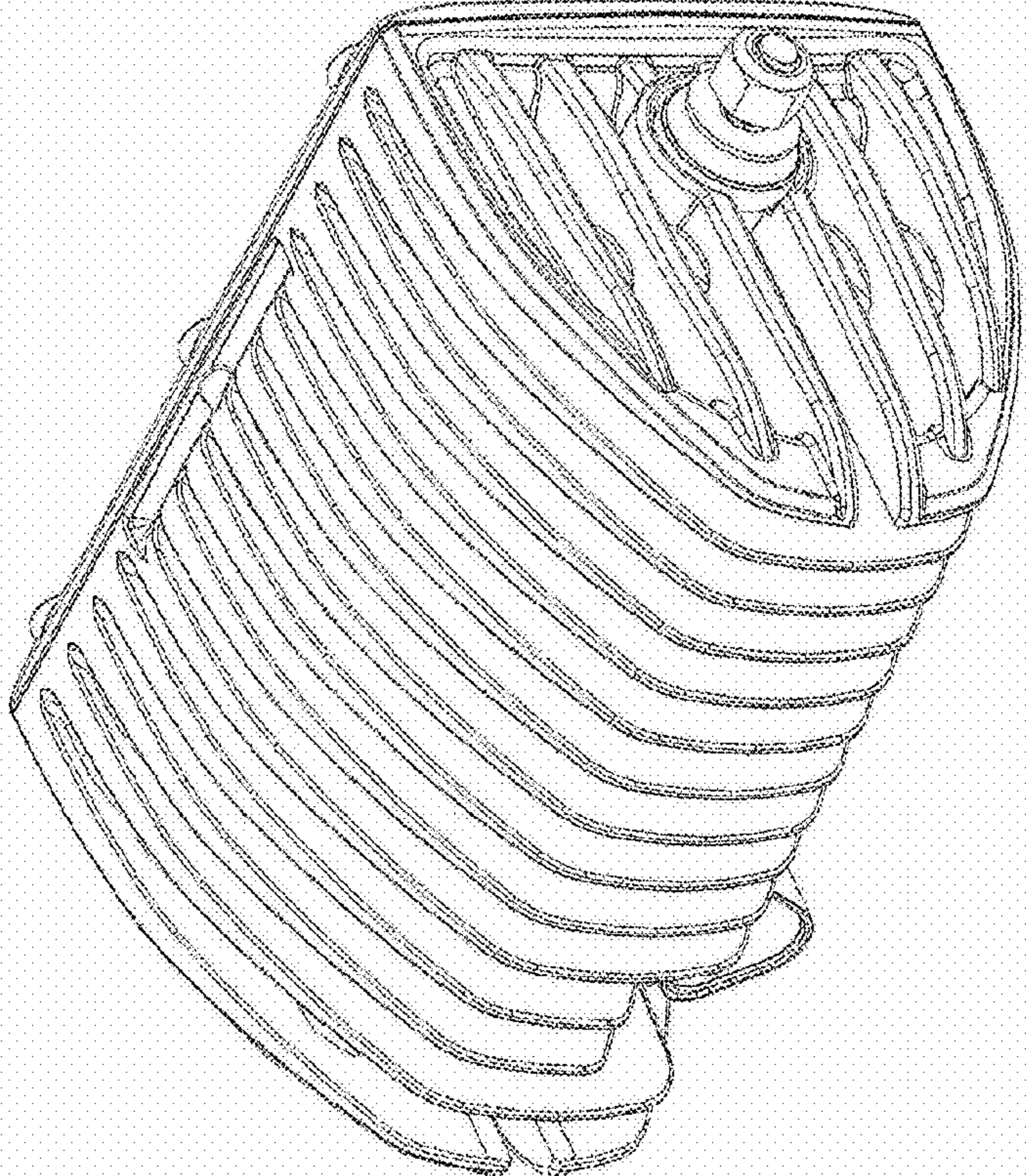


FIG. 7



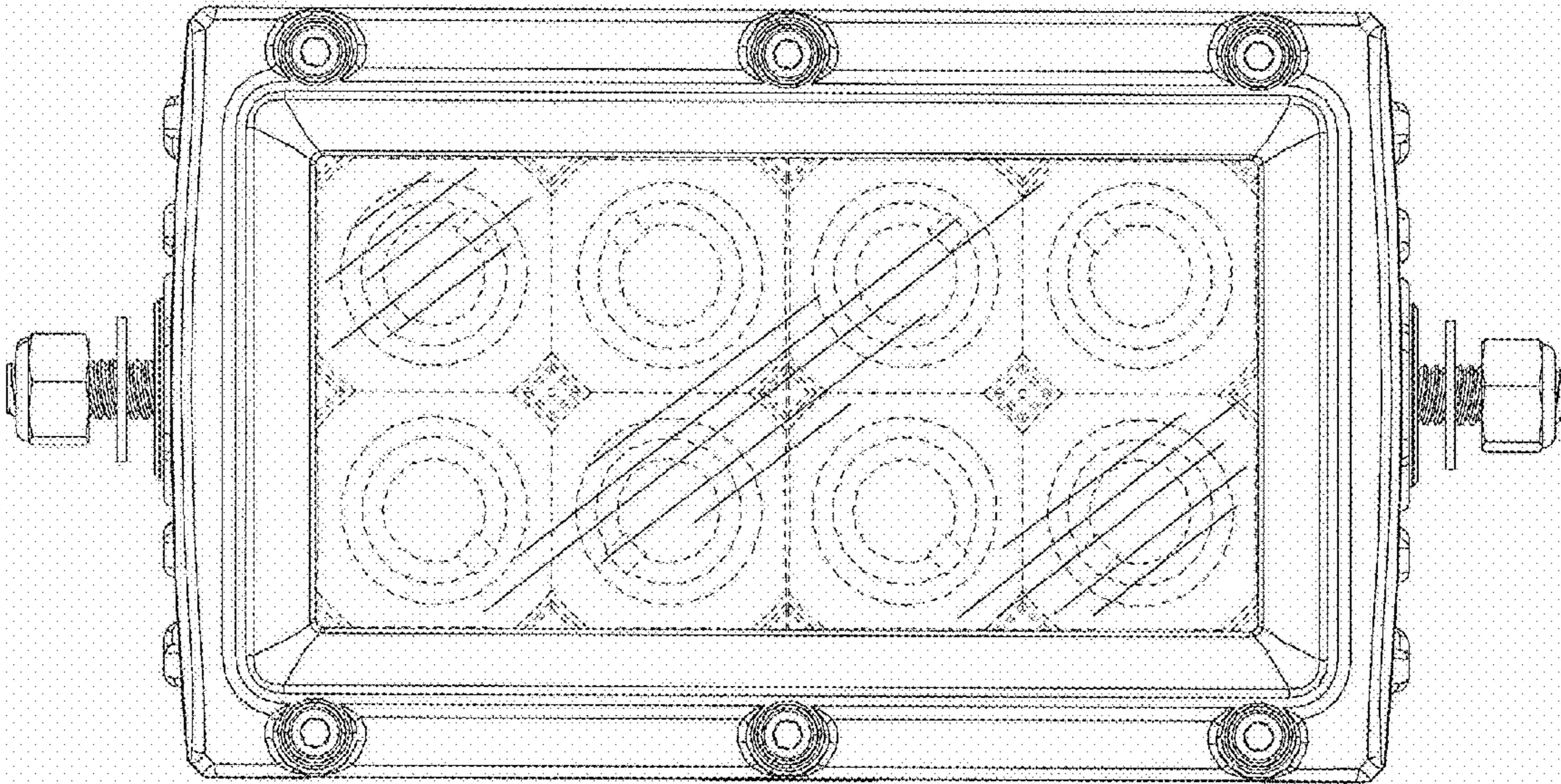


FIG. 9

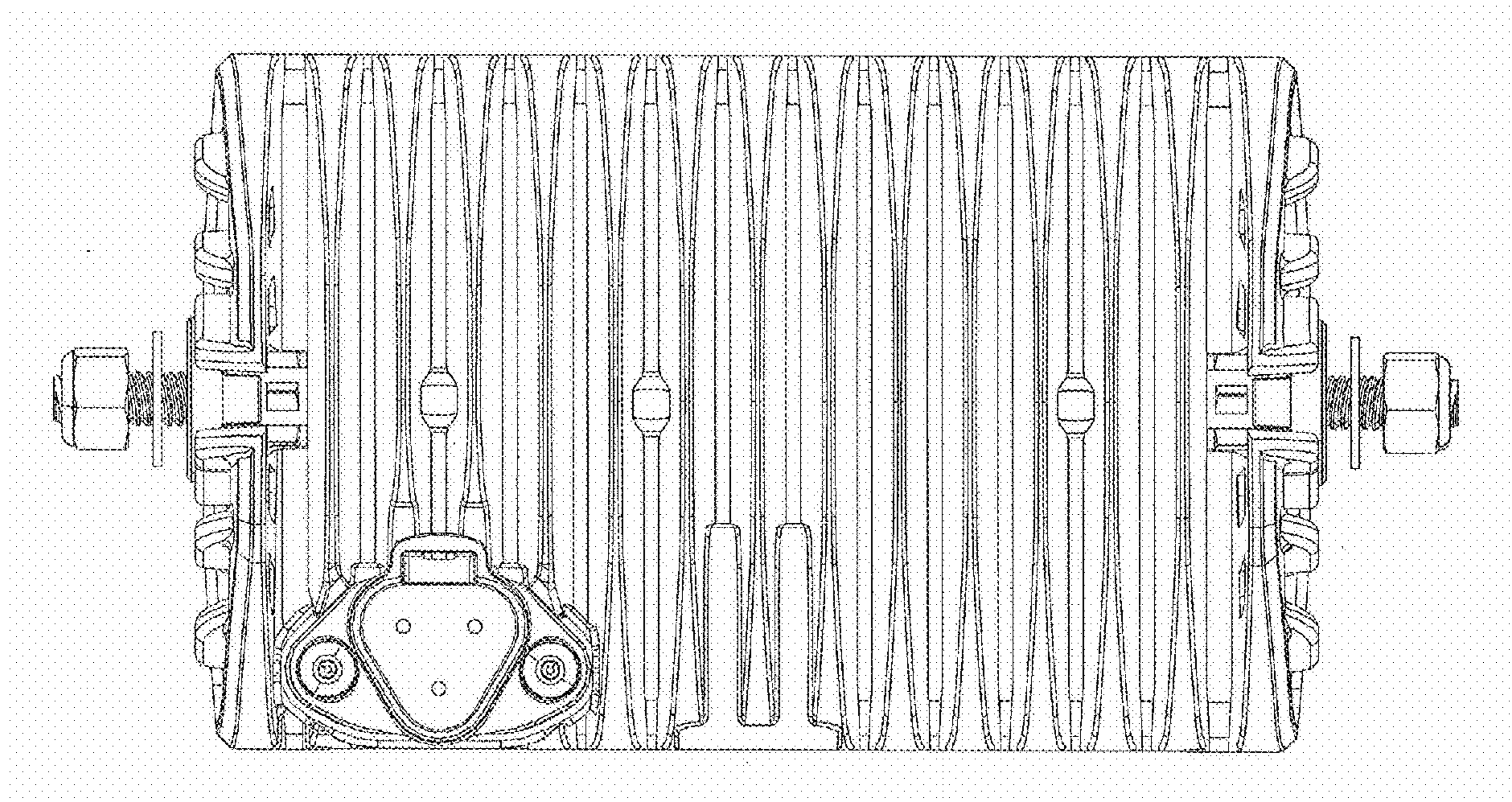


FIG. 10



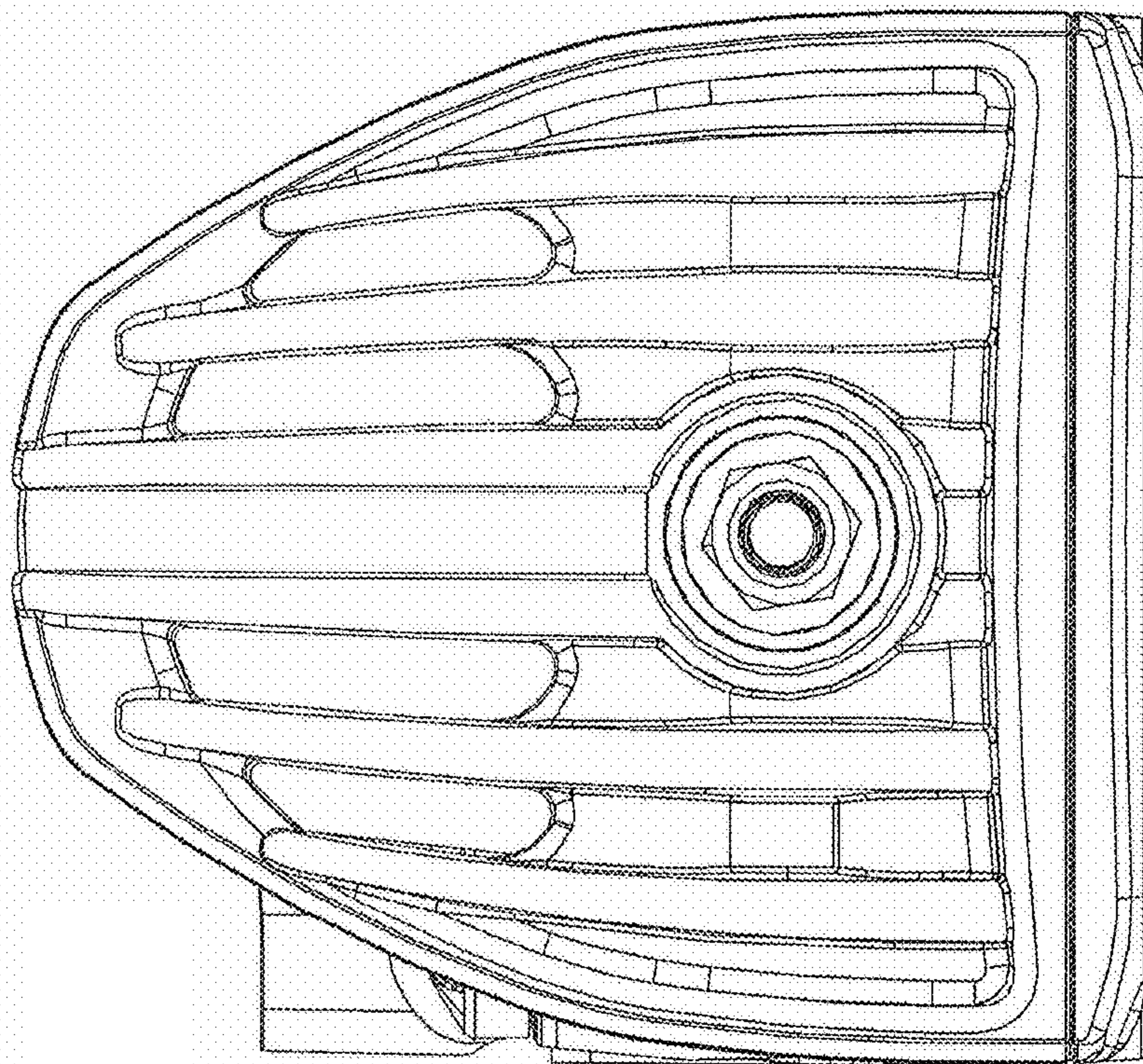


FIG. 11



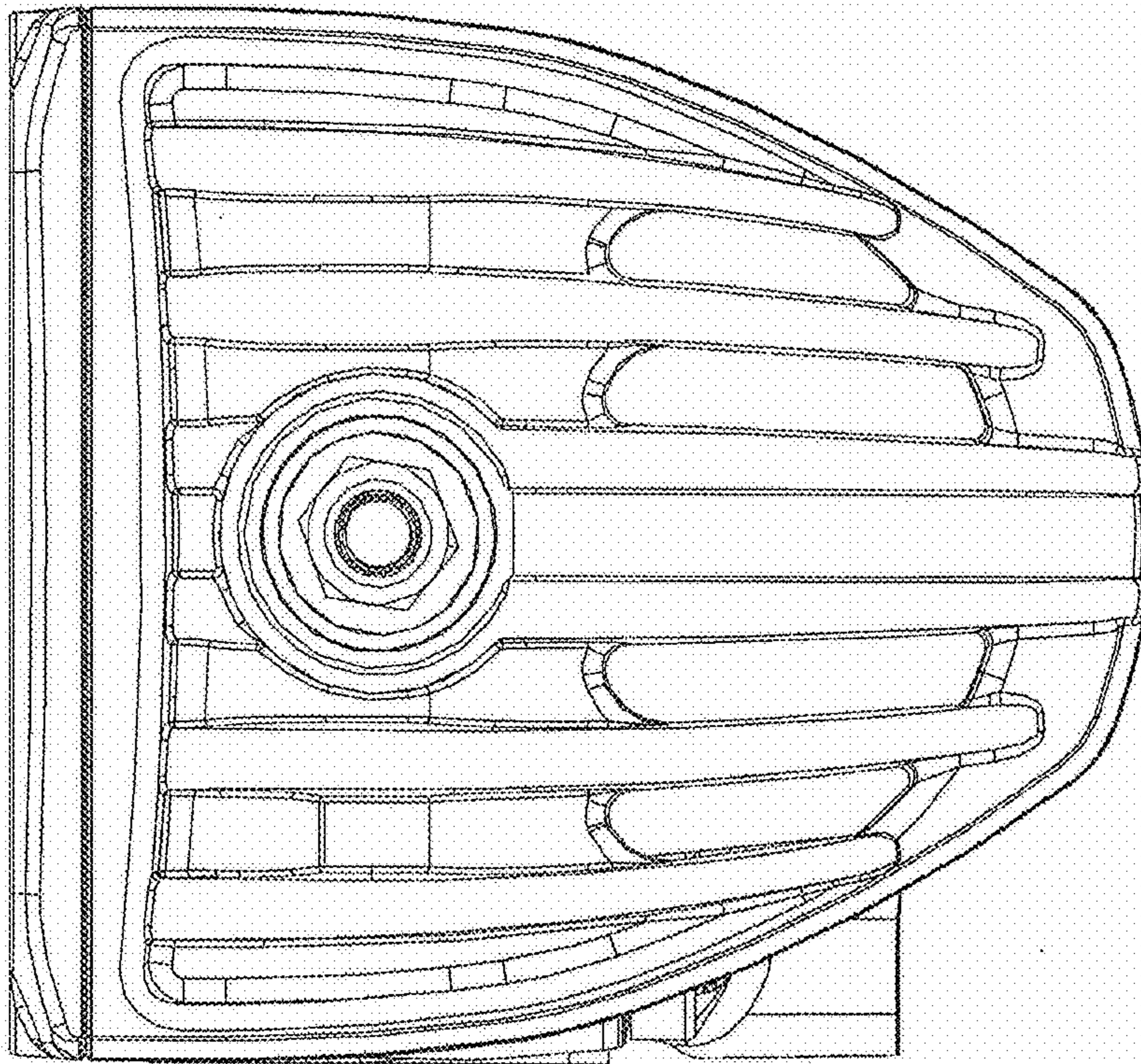


FIG. 12



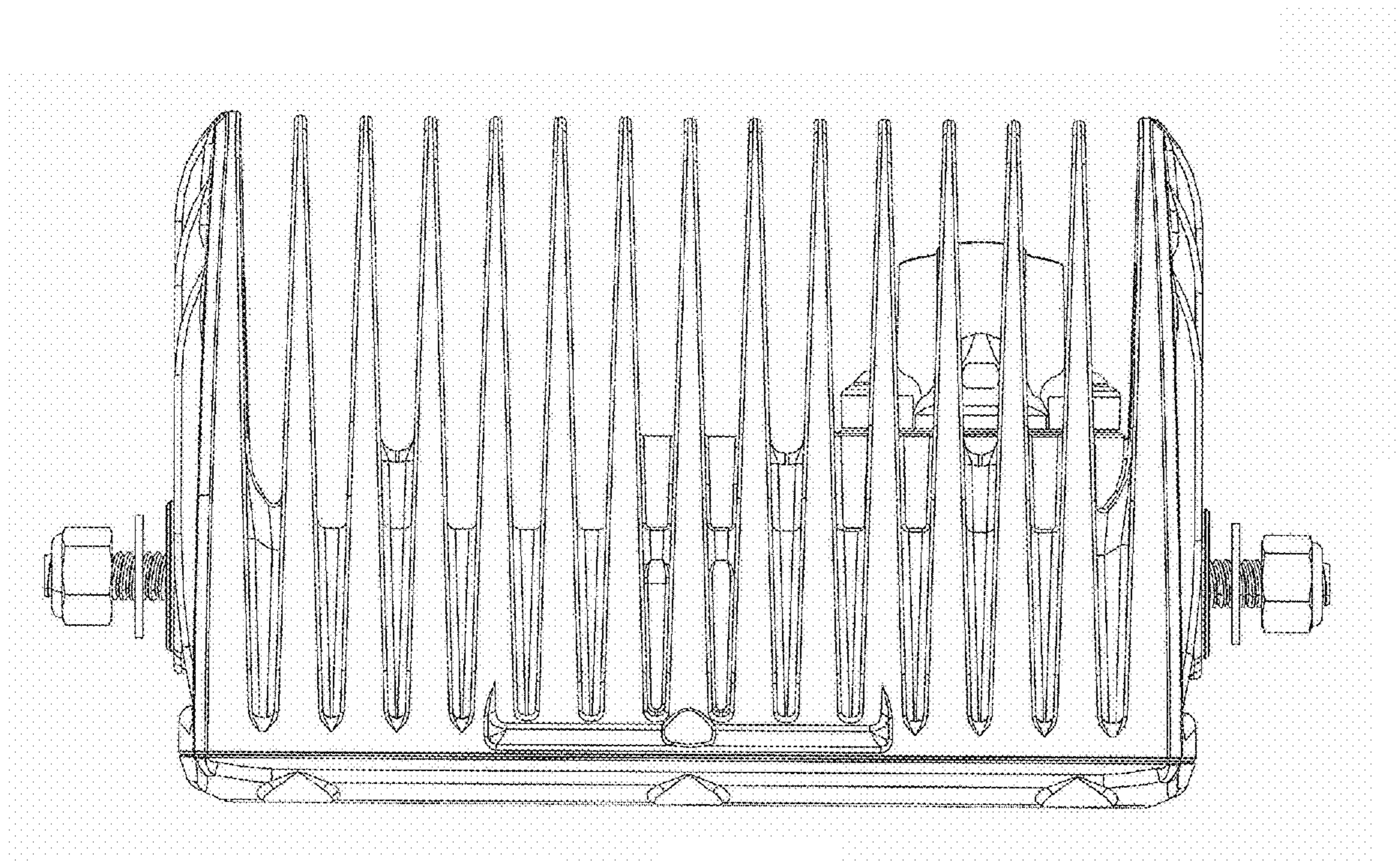


FIG. 13



