



US00D708775S

(12) **United States Design Patent**
Meng

(10) **Patent No.:** **US D708,775 S**

(45) **Date of Patent:** **** Jul. 8, 2014**

(54) **INTEGRATED TYPE OF SOLAR MULTIMEDIA LAMP**

(71) Applicant: **Zhong Meng**, Zhuhai (CN)

(72) Inventor: **Zhong Meng**, Zhuhai (CN)

(73) Assignee: **Zhuhai Leadsun Electronic Technology Co., Ltd.**, Zhuhai (CN)

(**) Term: **14 Years**

(21) Appl. No.: **29/472,203**

(22) Filed: **Nov. 9, 2013**

(30) **Foreign Application Priority Data**

Aug. 27, 2013 (CN) 2013 3 0411407

(51) **LOC (10) Cl.** **26-05**

(52) **U.S. Cl.**
USPC **D26/71**

(58) **Field of Classification Search**
CPC F21S 8/085; F21S 8/086; F21S 8/088;
F21V 21/14
USPC D26/67-71, 92; 362/249.01, 249.02,
362/235-237, 157, 183
See application file for complete search history.

(56) **References Cited**

U.S. PATENT DOCUMENTS

D201,909 S * 8/1965 Harling D26/71
D209,081 S * 10/1967 Netland D26/71
D541,463 S * 4/2007 Tortel D26/71
D543,306 S * 5/2007 Volkens D26/71

D609,383 S * 2/2010 Chang D26/71
7,789,528 B2 * 9/2010 Mo et al. 362/249.02
D641,094 S * 7/2011 Chang D26/71
D660,495 S * 5/2012 Walker et al. D26/71
D672,077 S * 12/2012 Cai et al. D26/71
D673,720 S * 1/2013 Bailey et al. D26/138
D681,251 S * 4/2013 Romeu et al. D26/71
8,517,575 B2 * 8/2013 Arai 362/373
8,651,693 B2 * 2/2014 Josefowicz et al. 362/235
2011/0210676 A1 * 9/2011 Beghelli 315/185 R

* cited by examiner

Primary Examiner — Clare E Heflin

(74) *Attorney, Agent, or Firm* — Minder Law Group; Willy H. Wong

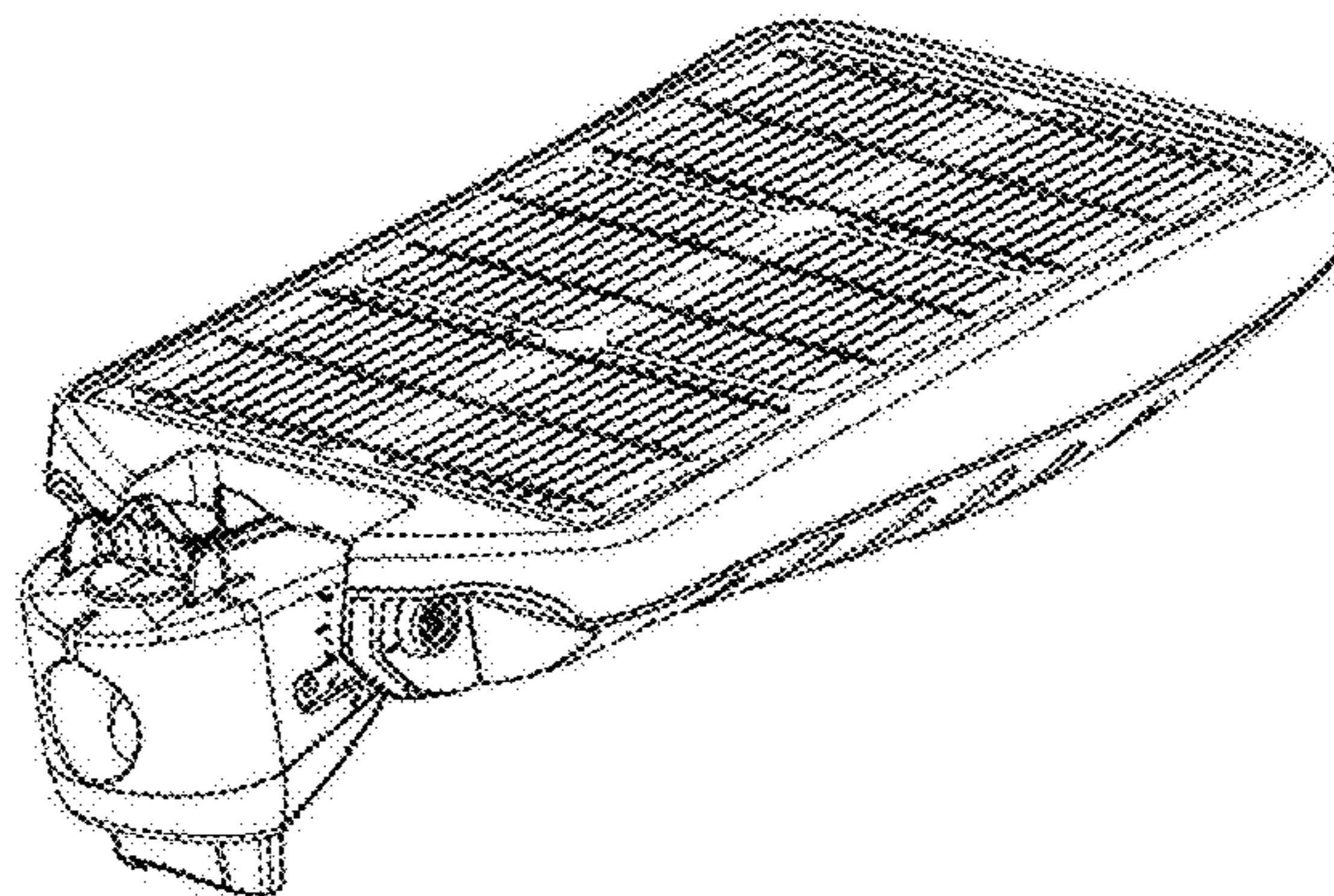
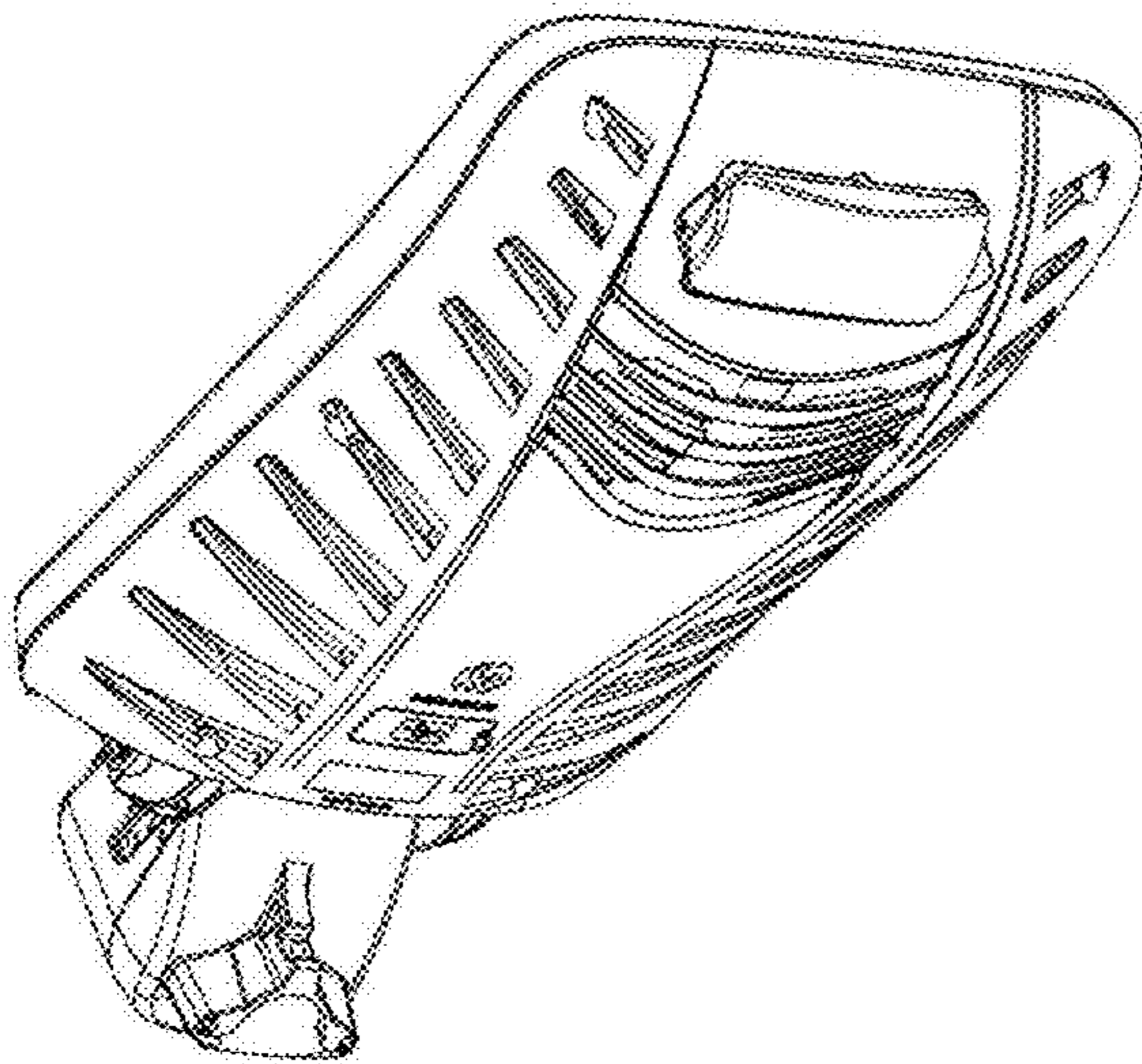
(57) **CLAIM**

The ornamental design for an integrated type of solar multimedia lamp, as shown and described.

DESCRIPTION

FIG. 1 is a left side view of a preferred embodiment of an integrated type of solar multimedia lamp in accordance with the present invention;
FIG. 2 is a right side view thereof;
FIG. 3 is a rear view thereof;
FIG. 4 is a front side view thereof;
FIG. 5 is a top view thereof;
FIG. 6 is bottom view thereof;
FIG. 7 is a perspective view thereof; and,
FIG. 8 is another perspective thereof.
The invention pertains to an ornamental design for an article of manufacture. The article is not limited to the scale shown herein.

1 Claim, 4 Drawing Sheets



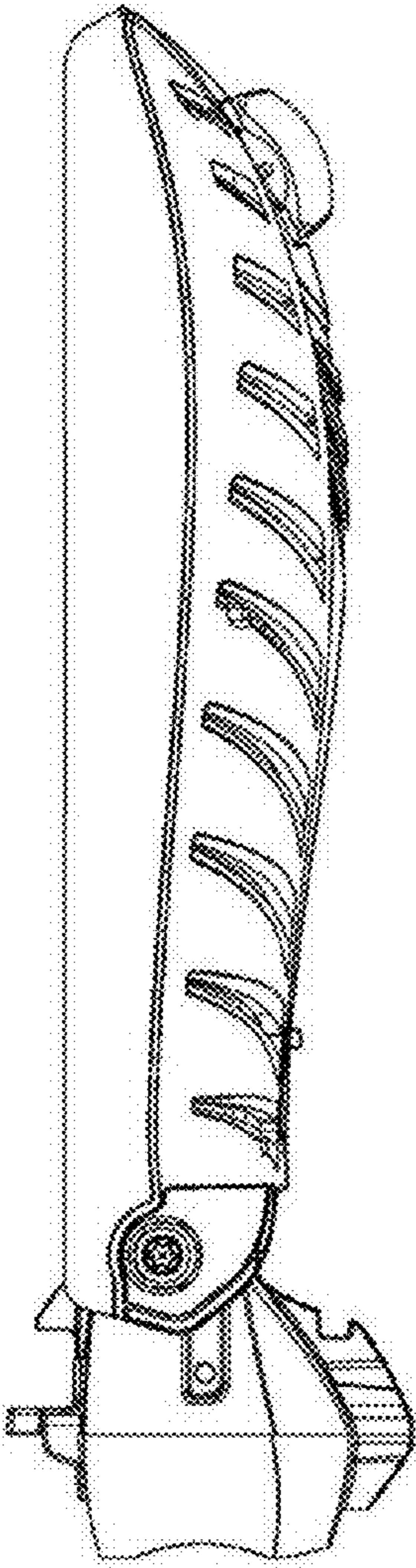


Fig. 1

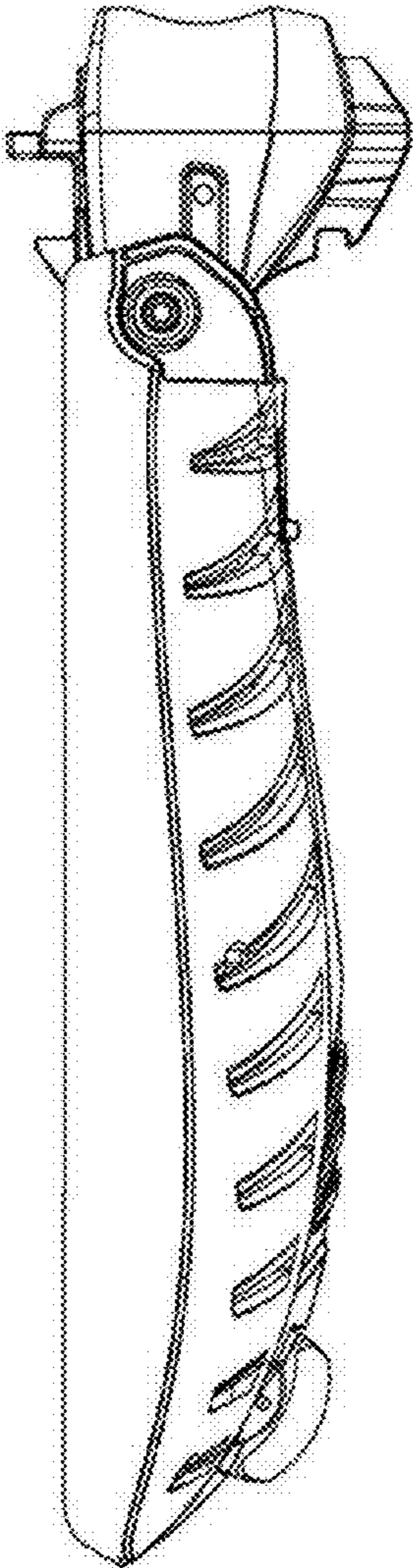


Fig. 2

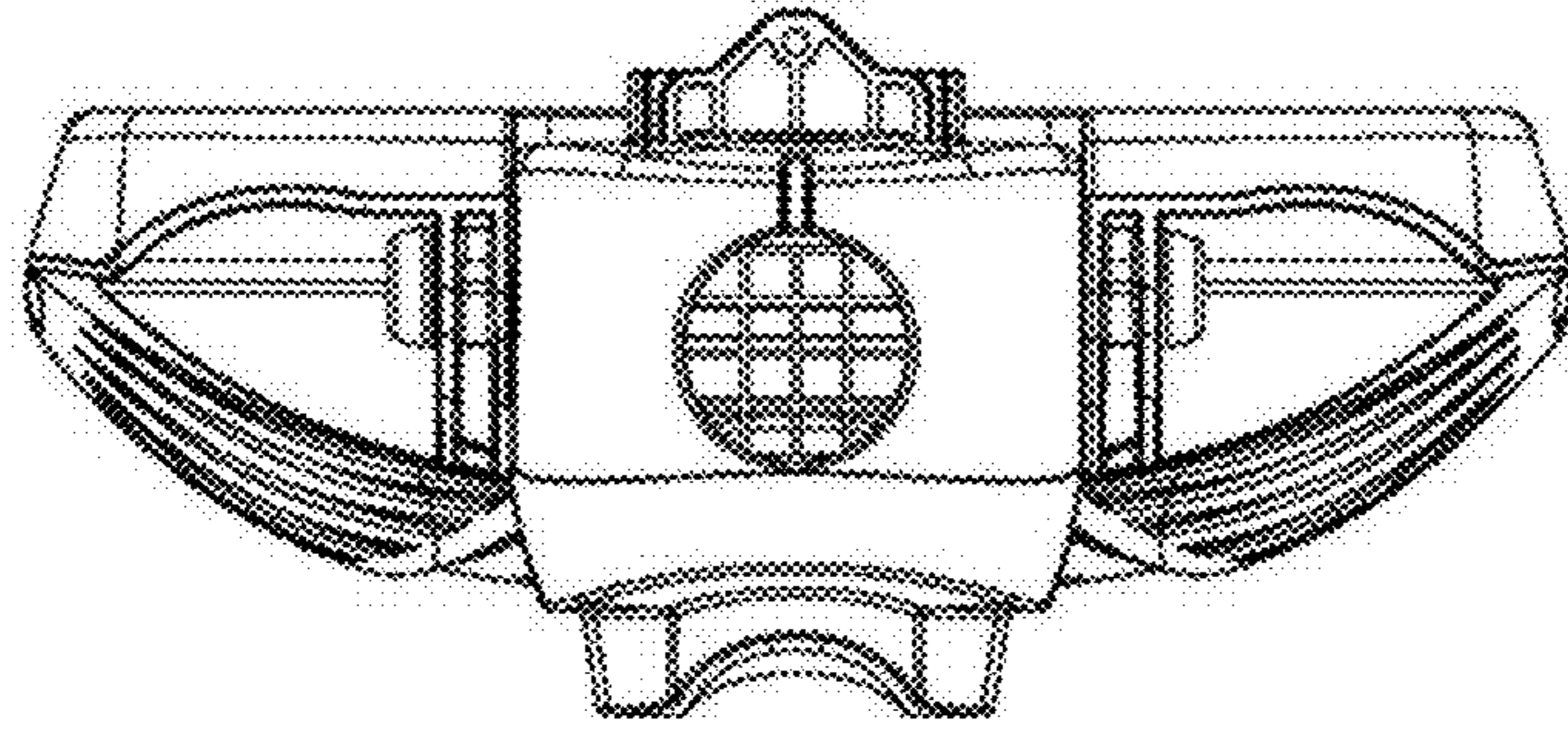


Fig. 3

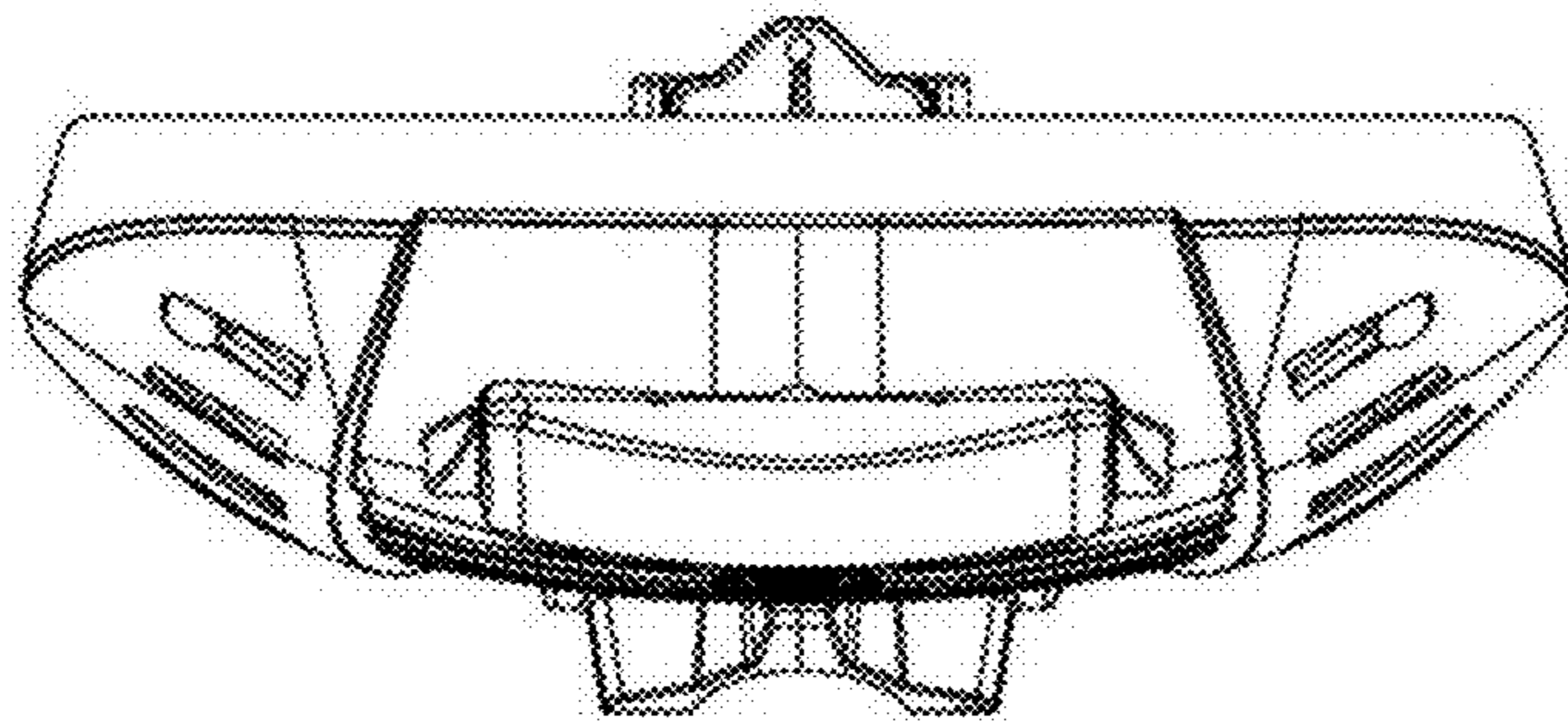


Fig. 4

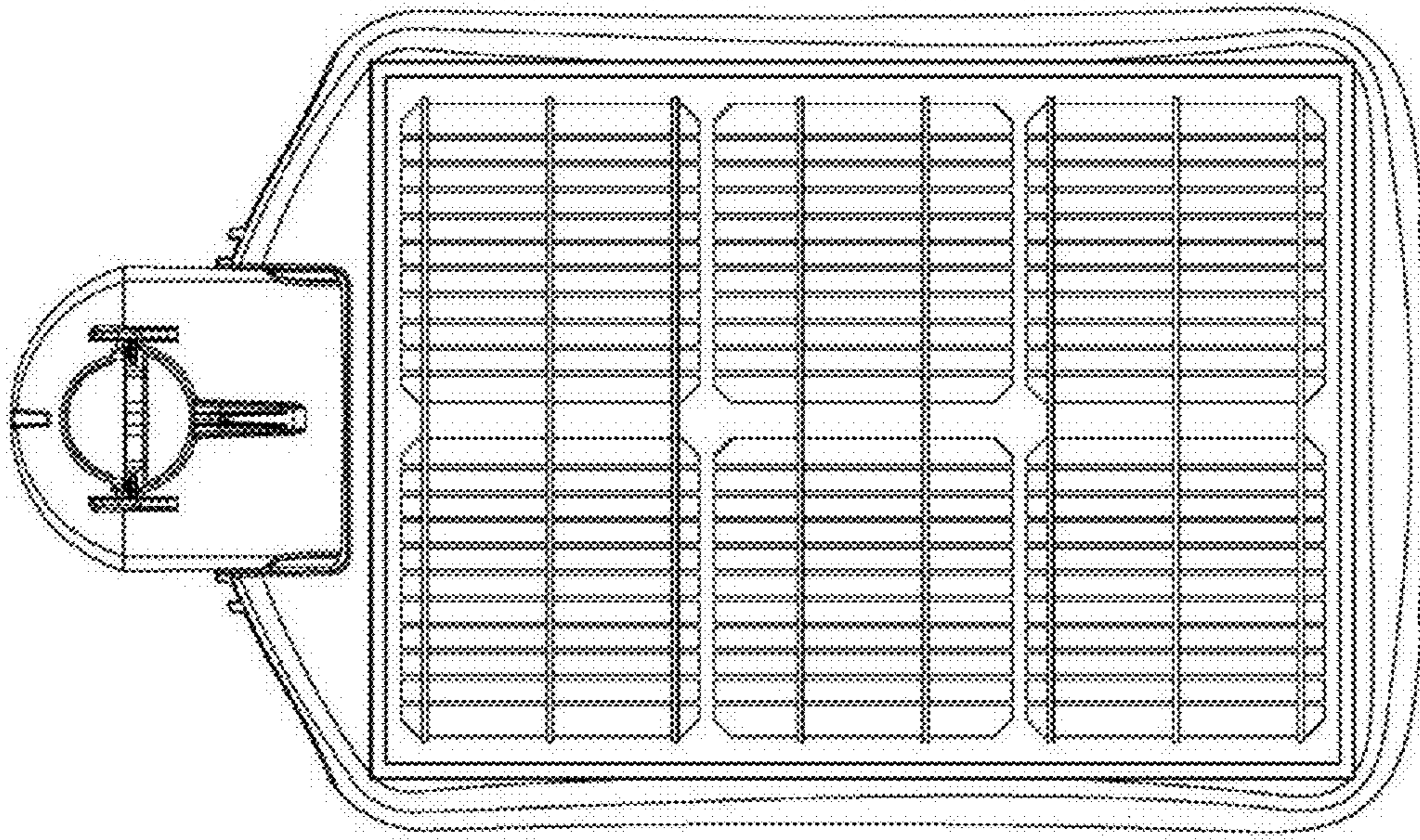


Fig. 5

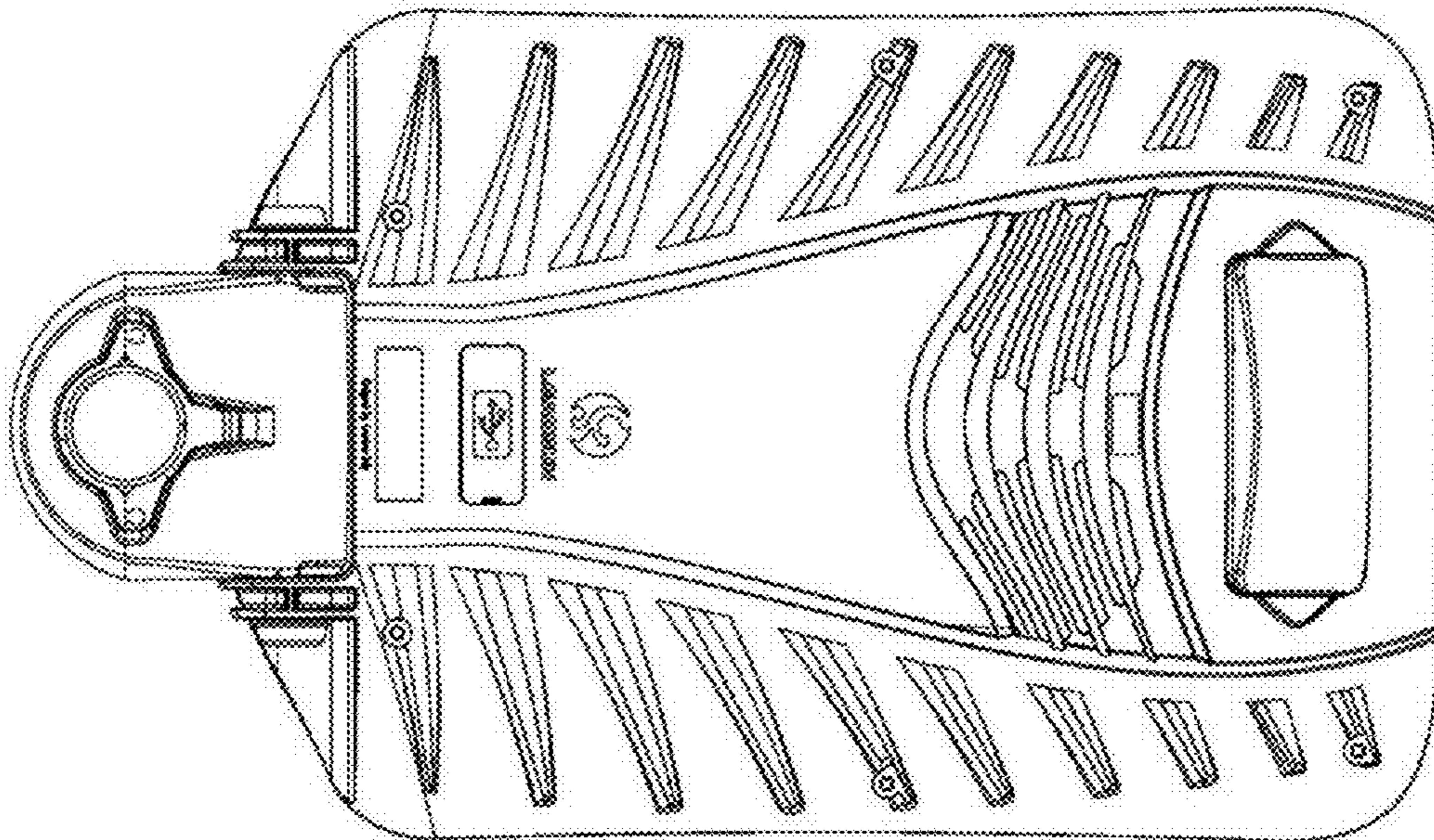


Fig. 6

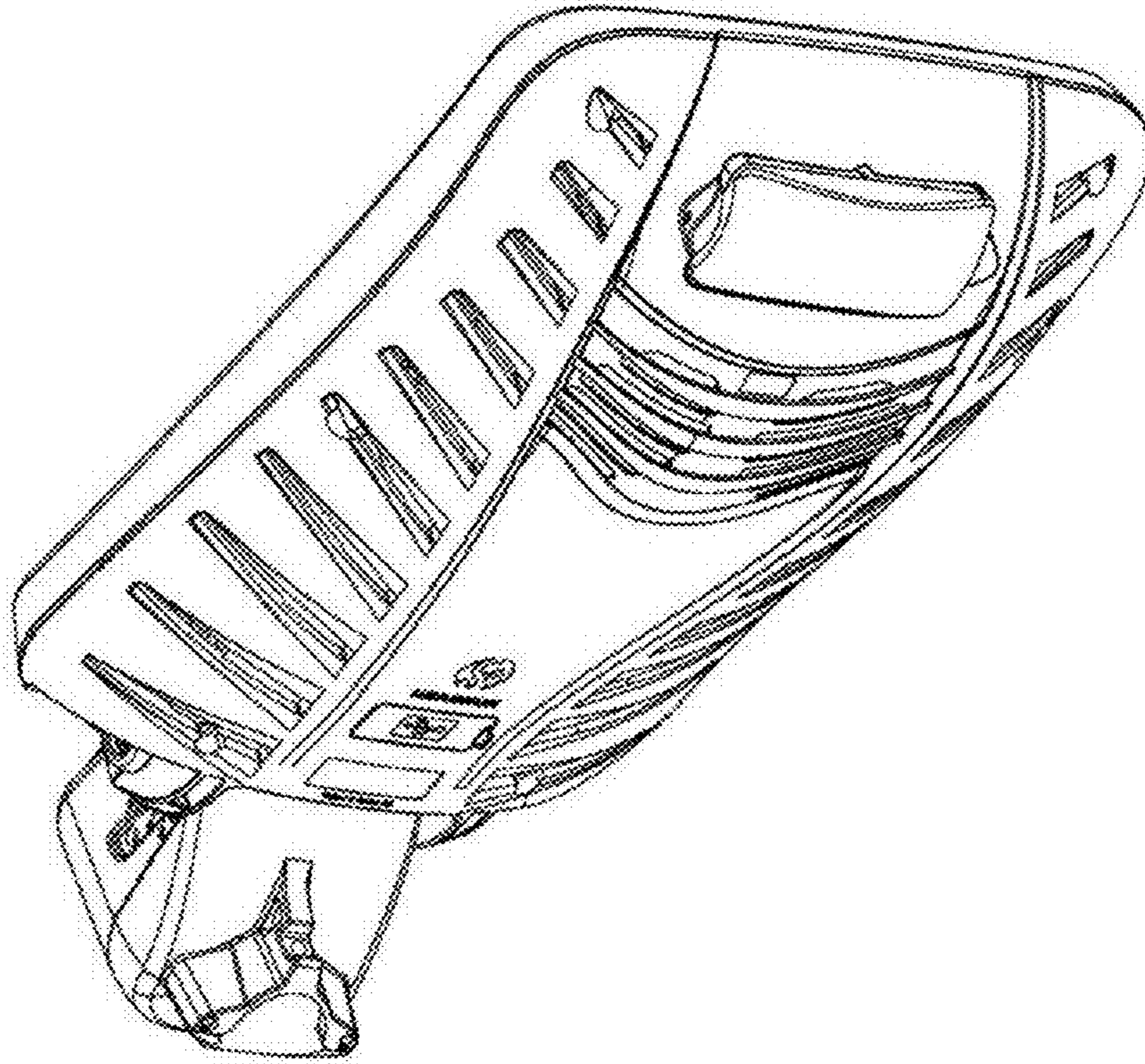


Fig. 7

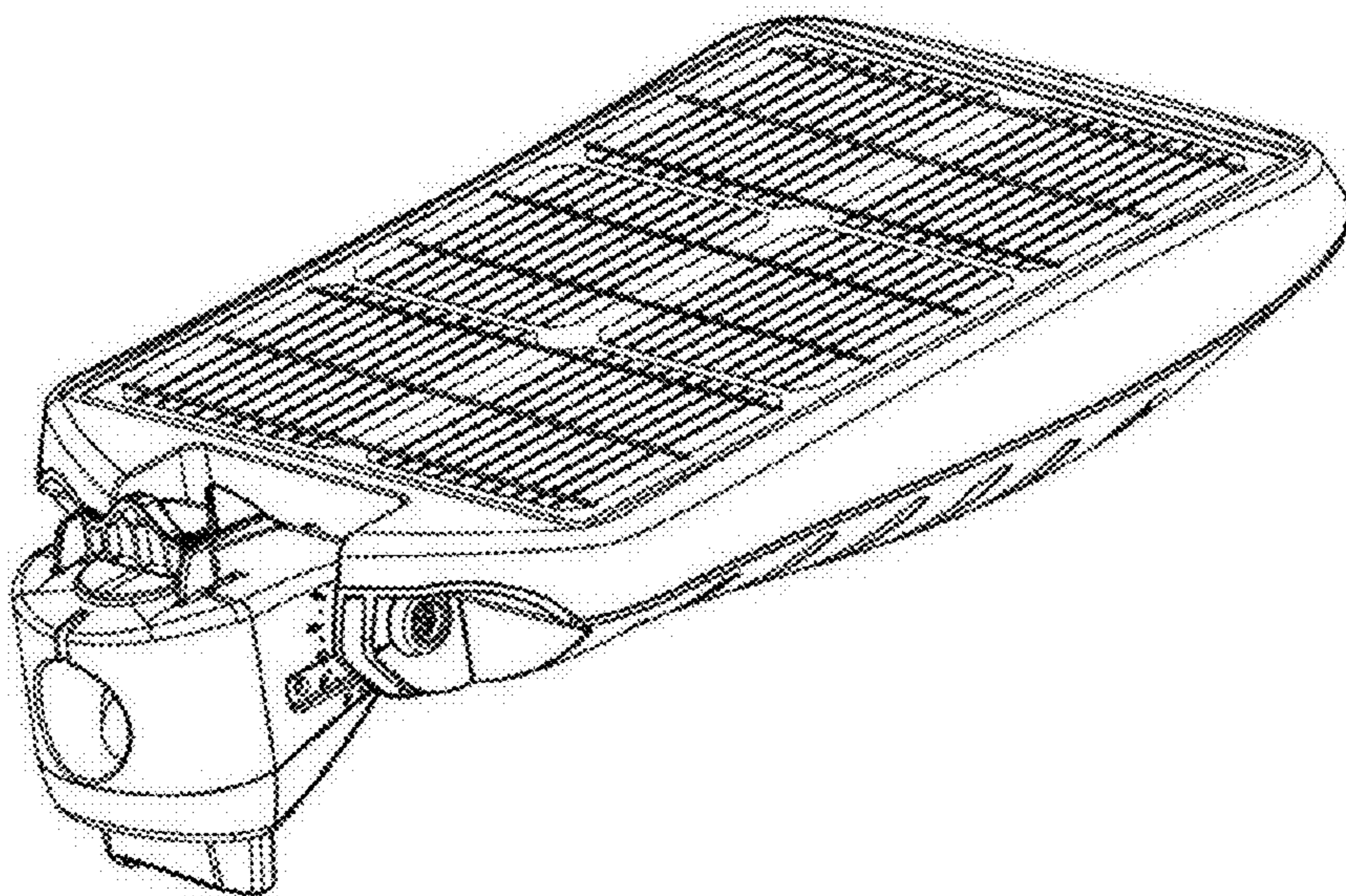


Fig. 8