



US00D708765S

(12) **United States Design Patent**
MacDonald

(10) **Patent No.:** **US D708,765 S**

(45) **Date of Patent:** **** Jul. 8, 2014**

(54) **LANDSCAPING BLOCK**

(75) Inventor: **Robert A. MacDonald**, Plymouth, MN (US)

(73) Assignee: **Keystone Retaining Wall Systems LLC**, West Chester, OH (US)

(**) Term: **14 Years**

(21) Appl. No.: **29/404,852**

(22) Filed: **Oct. 26, 2011**

Related U.S. Application Data

(62) Division of application No. 29/366,124, filed on Jul. 20, 2010, now Pat. No. Des. 663,858.

(51) **LOC (10) Cl.** **25-01**

(52) **U.S. Cl.**
USPC **D25/113**

(58) **Field of Classification Search**
USPC D25/102, 103, 106, 109, 112–118, 136, D25/138, 152, 159–162, 164; D21/484–491, 499–504; 405/16, 284, 405/286; 52/503–505, 574, 575, 596–612; 404/27–42
See application file for complete search history.

(56) **References Cited**

U.S. PATENT DOCUMENTS

D250,484 S	*	12/1978	Muse	D25/116
D296,007 S		5/1988	Forsberg		
D301,064 S		5/1989	Forsberg		
4,920,712 A		5/1990	Dean, Jr.		
D319,885 S		9/1991	Blomquist et al.		
D321,060 S		10/1991	Blomquist et al.		
5,062,610 A		11/1991	Woolford et al.		
5,161,918 A		11/1992	Hodel		
5,214,898 A		6/1993	Beretta		
5,252,017 A		10/1993	Hodel		
D341,215 S		11/1993	Blomquist et al.		

D346,667 S	5/1994	Blomquist et al.
D347,070 S	5/1994	Anderson et al.
D350,402 S	9/1994	Pribyl et al.
D352,789 S	11/1994	Adam
D363,787 S	10/1995	Powell
5,507,599 A	4/1996	Anderson et al.
5,568,994 A	10/1996	Dawson
5,601,384 A	2/1997	Dawson
5,619,835 A	4/1997	Bailey, II et al.
5,624,211 A	4/1997	Anderson et al.
D380,560 S	7/1997	Forsberg
D381,086 S	7/1997	Forsberg

(Continued)

Primary Examiner — Anhdao Doan

(74) *Attorney, Agent, or Firm* — Popovich, Wiles & O'Connell, P.A.

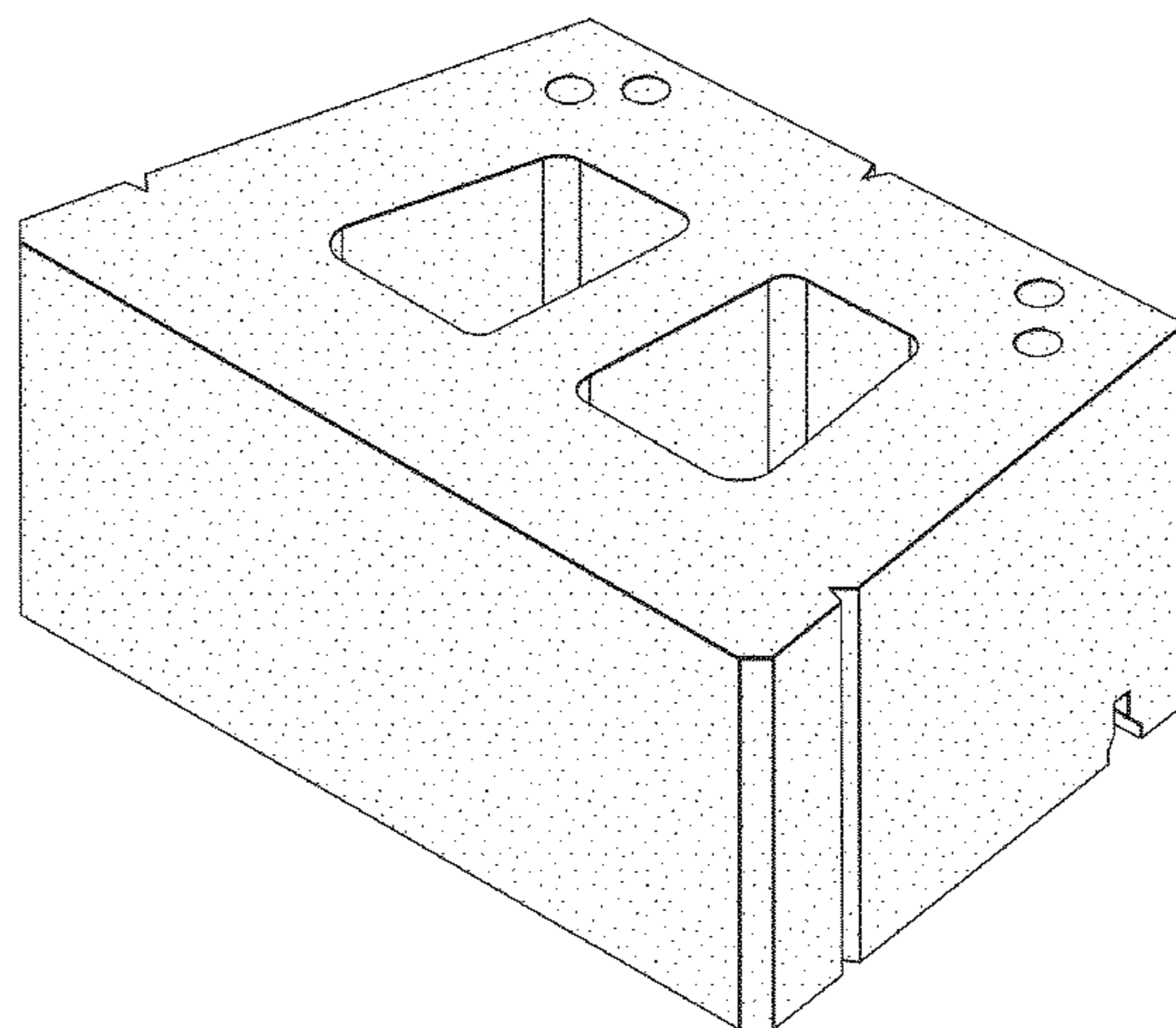
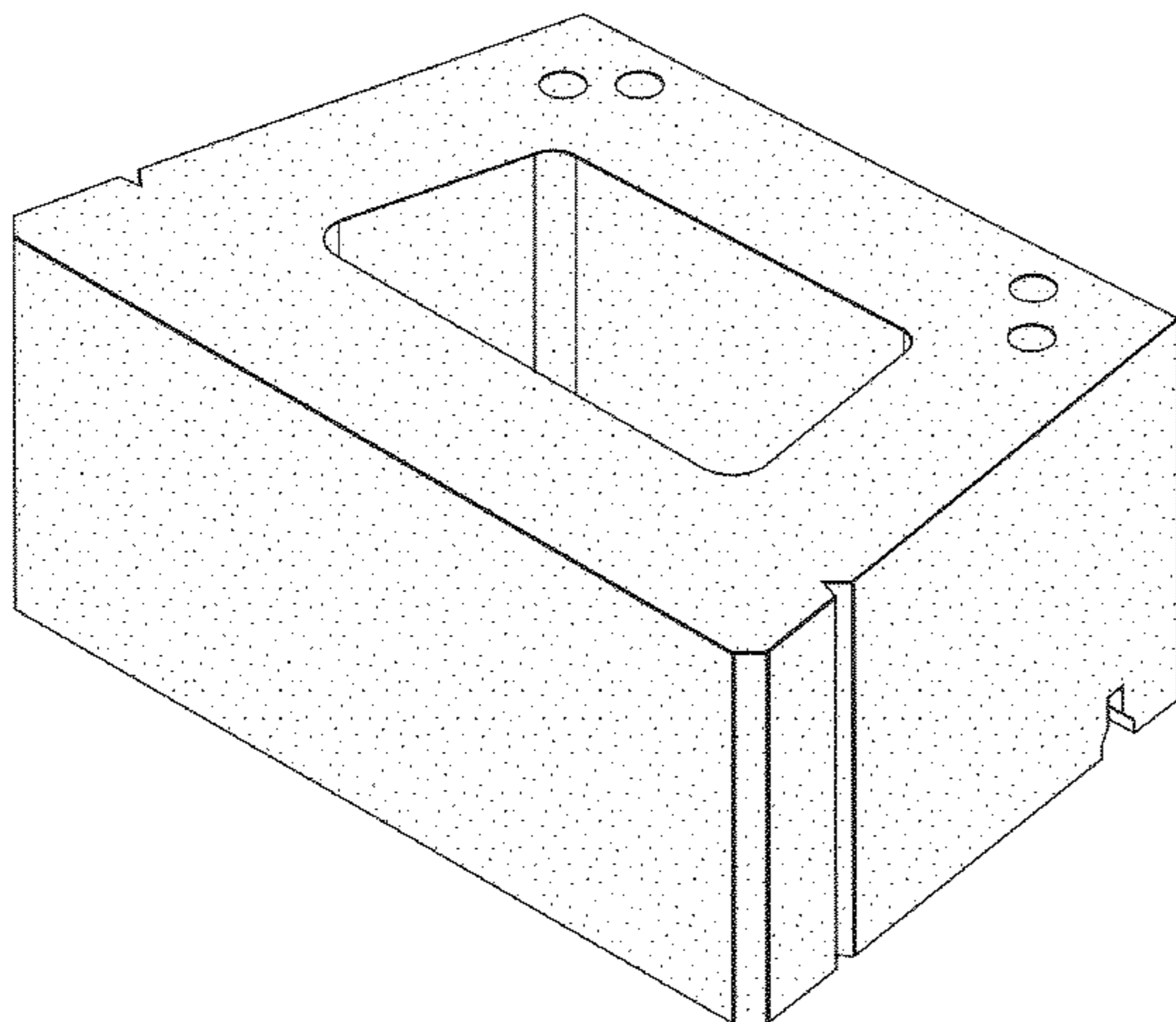
(57) **CLAIM**

The ornamental design for a landscaping block, as shown and described.

DESCRIPTION

FIG. 1 is a front perspective view of a first embodiment of a landscaping block;
 FIG. 2 is a top plan view thereof;
 FIG. 3 is a bottom plan view thereof;
 FIG. 4 is a left side elevational view thereof;
 FIG. 5 is a right side elevational view thereof;
 FIG. 6 is a rear elevational view thereof;
 FIG. 7 is a front elevational view thereof;
 FIG. 8 is a front perspective view of a second embodiment of a landscaping block;
 FIG. 9 is a top plan view thereof;
 FIG. 10 is a bottom plan view thereof;
 FIG. 11 is a left side elevational view thereof;
 FIG. 12 is a right side elevational view thereof;
 FIG. 13 is a rear elevational view thereof; and,
 FIG. 14 is a front elevational view thereof.
 The portions of the landscaping block shown in broken lines form no part of the claimed design.

1 Claim, 14 Drawing Sheets



(56)

References Cited

U.S. PATENT DOCUMENTS

D384,168 S	9/1997	Stevenson	6,854,231 B2	2/2005	MacDonald et al.
D387,434 S	12/1997	Dawson	6,912,823 B2	7/2005	MacDonald et al.
5,707,184 A	1/1998	Anderson et al.	7,048,472 B2	5/2006	Woolford et al.
D391,376 S	2/1998	Strand et al.	7,096,634 B2	8/2006	Dean, Jr.
D397,230 S	8/1998	Forsberg	D530,830 S	10/2006	Collison et al.
D397,451 S	8/1998	Stevenson	7,168,892 B1	1/2007	MacDonald et al.
D397,808 S	9/1998	Dawson	7,244,079 B1	7/2007	Blomquist et al.
5,827,015 A	10/1998	Woolford et al.	D551,360 S	9/2007	Price
5,865,006 A	2/1999	Dawson	D551,361 S	9/2007	Price
5,913,790 A	6/1999	Dawson	D556,919 S	12/2007	Price
5,941,042 A	8/1999	Dueck	7,328,537 B2	2/2008	Hammer
5,984,589 A	11/1999	Ciccarello	7,360,970 B2	4/2008	Woolford et al.
6,019,550 A	2/2000	Wrigley et al.	7,448,830 B2	11/2008	MacDonald et al.
6,035,599 A	3/2000	Sonnentag	7,641,178 B2	1/2010	MacDonald et al.
D429,004 S	8/2000	Strand et al.	D610,710 S	2/2010	LaCroix et al.
D430,308 S	8/2000	Dawson	7,654,776 B2	2/2010	MacDonald et al.
D433,158 S	10/2000	Hammer	D615,669 S	5/2010	Caggiano
6,149,352 A	11/2000	MacDonald	D620,135 S	7/2010	Adam
D435,917 S	1/2001	Hammer	D620,615 S	7/2010	MacDonald et al.
6,168,354 B1	1/2001	Martin et al.	D621,070 S	8/2010	MacDonald et al.
D439,678 S	3/2001	Blomquist et al.	7,780,141 B2	8/2010	Dawson et al.
D458,387 S	6/2002	Blomquist et al.	7,934,351 B2	5/2011	Clarno
D466,228 S	11/2002	Hammer	7,971,407 B2	7/2011	MacDonald
D467,009 S	12/2002	Agee	D645,575 S	9/2011	Bone
6,488,448 B1	12/2002	Blomquist et al.	2002/0001509 A1	1/2002	Hong
6,527,483 B1	3/2003	Agee	2005/0102949 A1	5/2005	Whitson
6,536,994 B2	3/2003	Race	2006/0110223 A1	5/2006	Dawson
D479,003 S	8/2003	Nordstrand	2008/0277561 A1	11/2008	MacDonald
6,615,561 B2	9/2003	MacDonald et al.	2008/0289282 A1	11/2008	MacDonald
6,622,445 B1	9/2003	Shillingburg et al.	2008/0302350 A1	12/2008	LaCroix
D485,371 S	1/2004	Burgess et al.	2008/0307740 A1	12/2008	MacDonald
6,701,687 B1	3/2004	Shillingburg	2008/0313988 A1	12/2008	MacDonald
6,709,201 B2	3/2004	Race	2009/0120029 A1	5/2009	LaCroix et al.
D488,242 S	4/2004	MacDonald	2009/0151281 A1	6/2009	MacDonald et al.
D488,568 S	4/2004	MacDonald	2009/0188196 A1	7/2009	MacDonald
D488,569 S	4/2004	Dawson	2009/0308015 A1	12/2009	MacDonald et al.
D490,542 S	5/2004	MacDonald	2009/0313936 A1	12/2009	MacDonald et al.
6,803,002 B2	10/2004	Suto et al.	2010/0308502 A1	12/2010	LaCroix et al.
6,821,058 B1	11/2004	Dawson	2010/0310695 A1	12/2010	LaCroix et al.
D501,935 S	2/2005	Dawson et al.	2011/0072753 A1	3/2011	MacDonald
			2011/0217127 A1	9/2011	MacDonald
			2011/0243669 A1	10/2011	Friederichs et al.

* cited by examiner

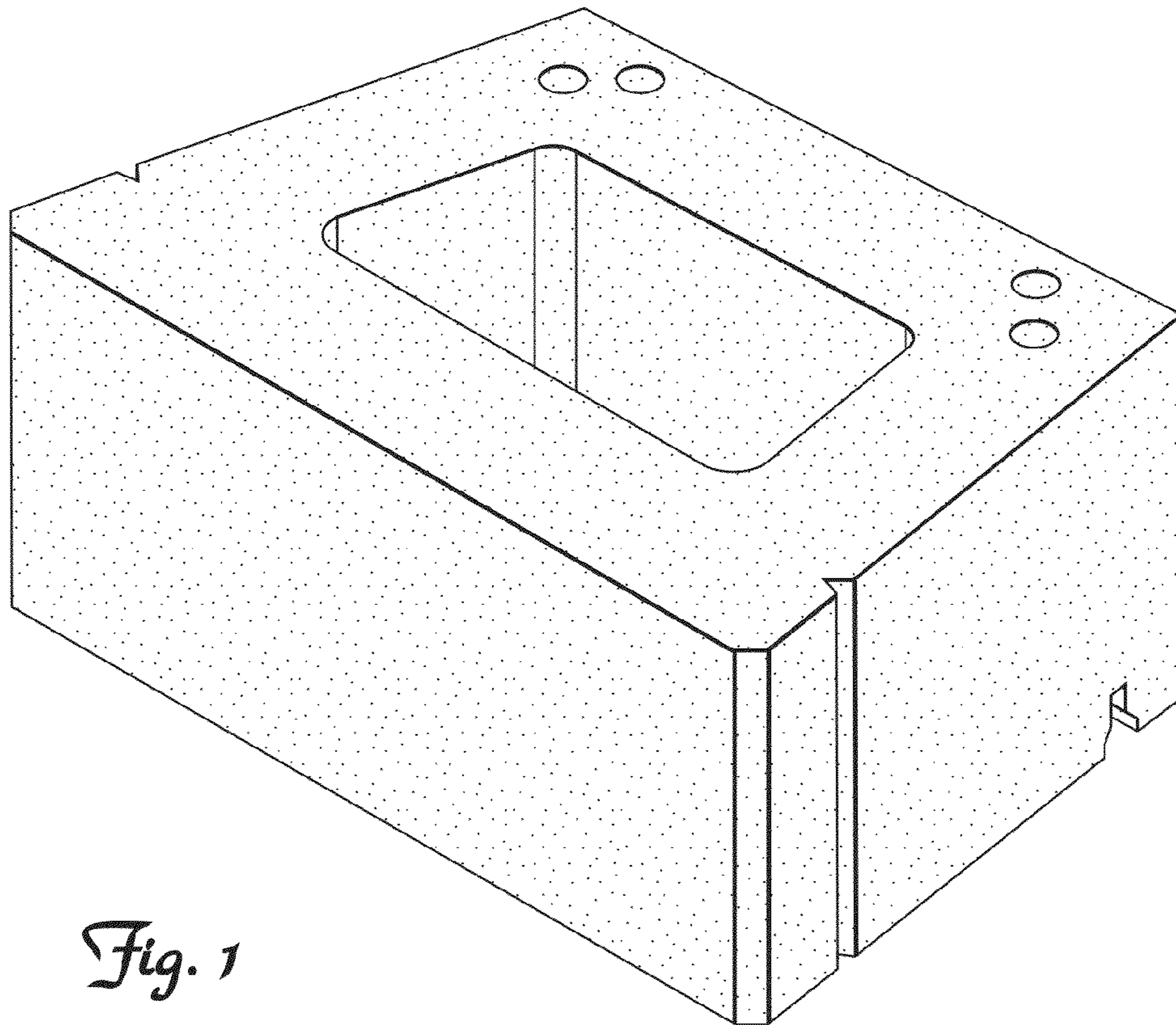


Fig. 1

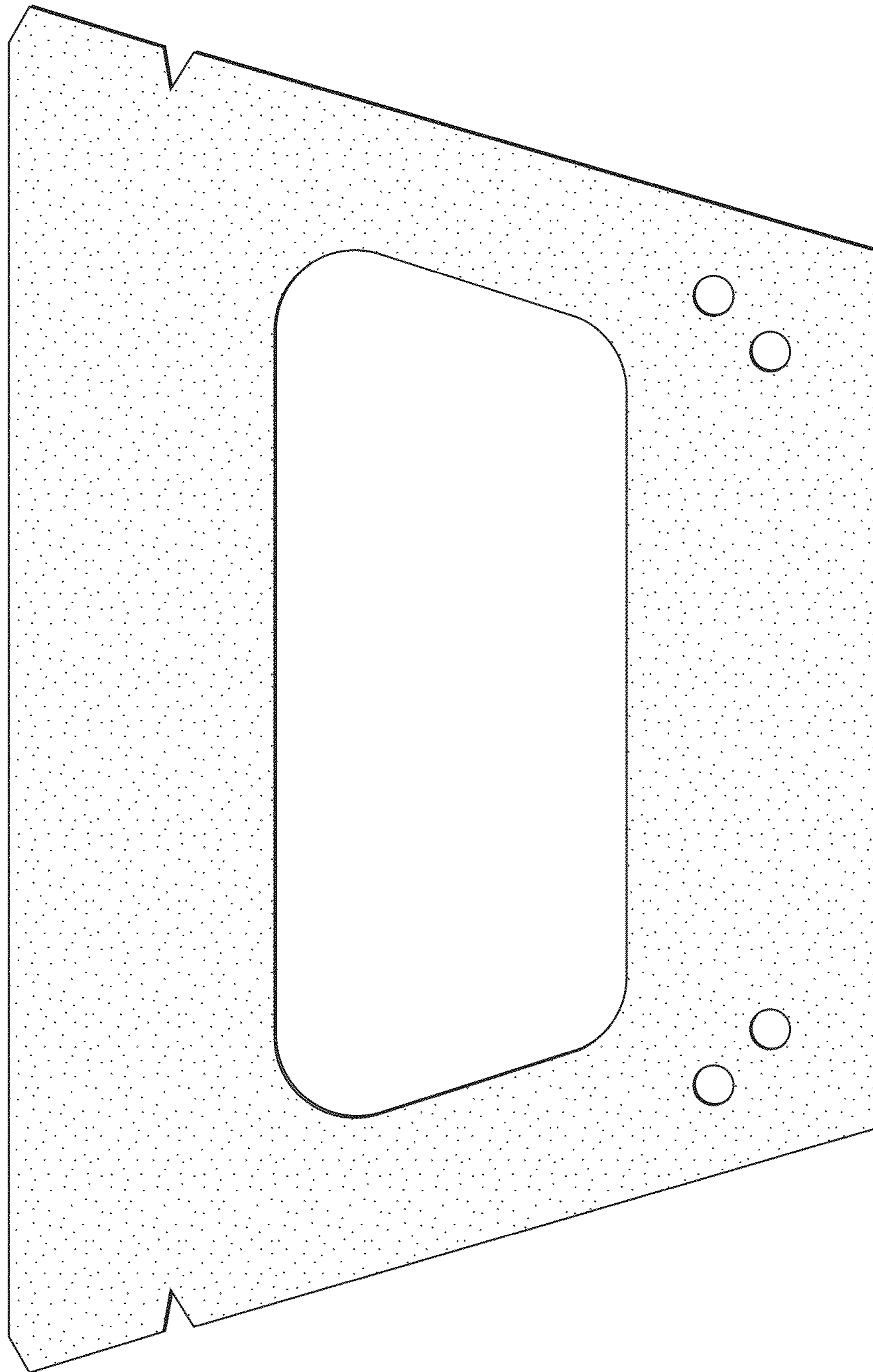


Fig. 2

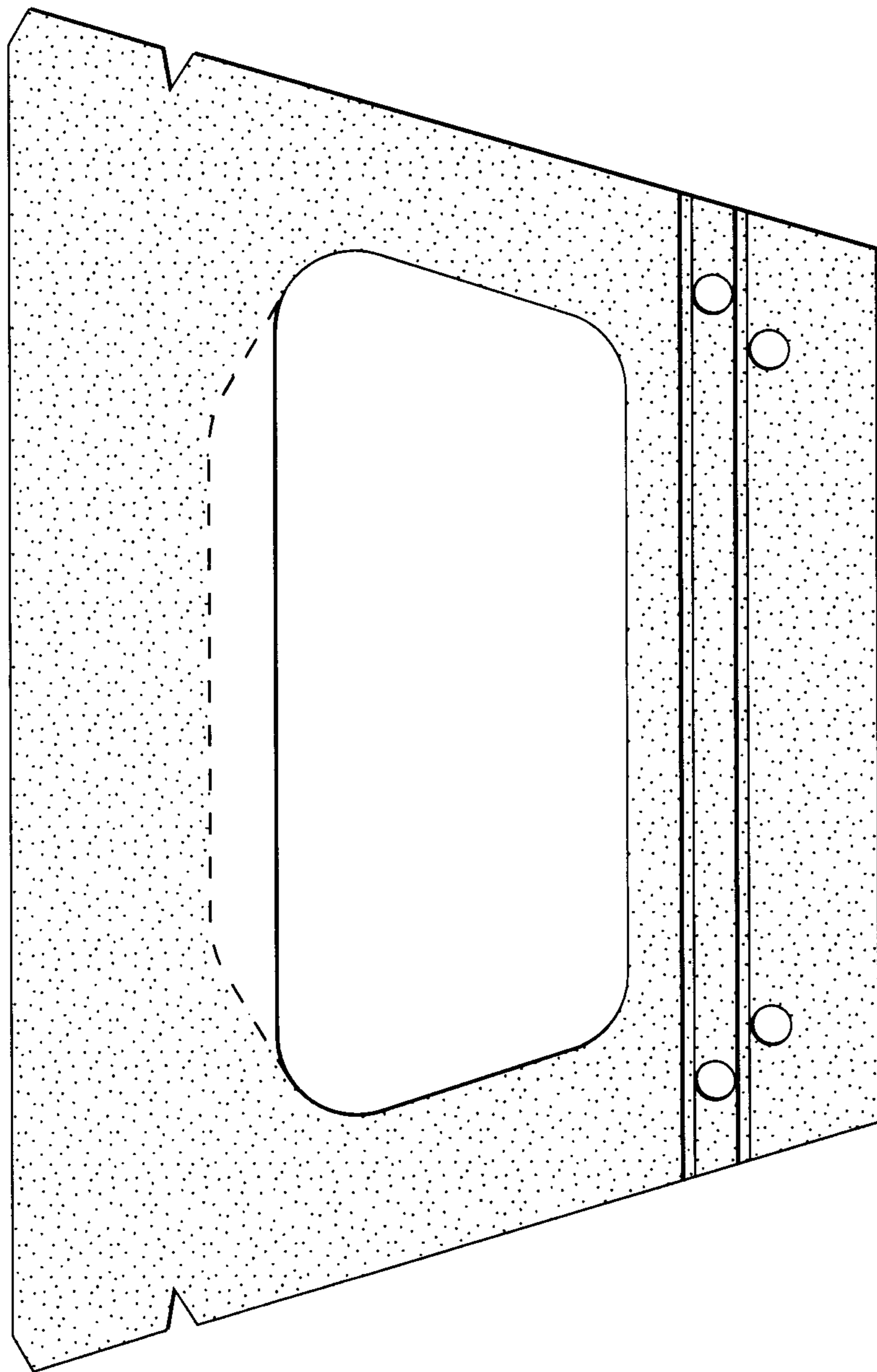


Fig. 3

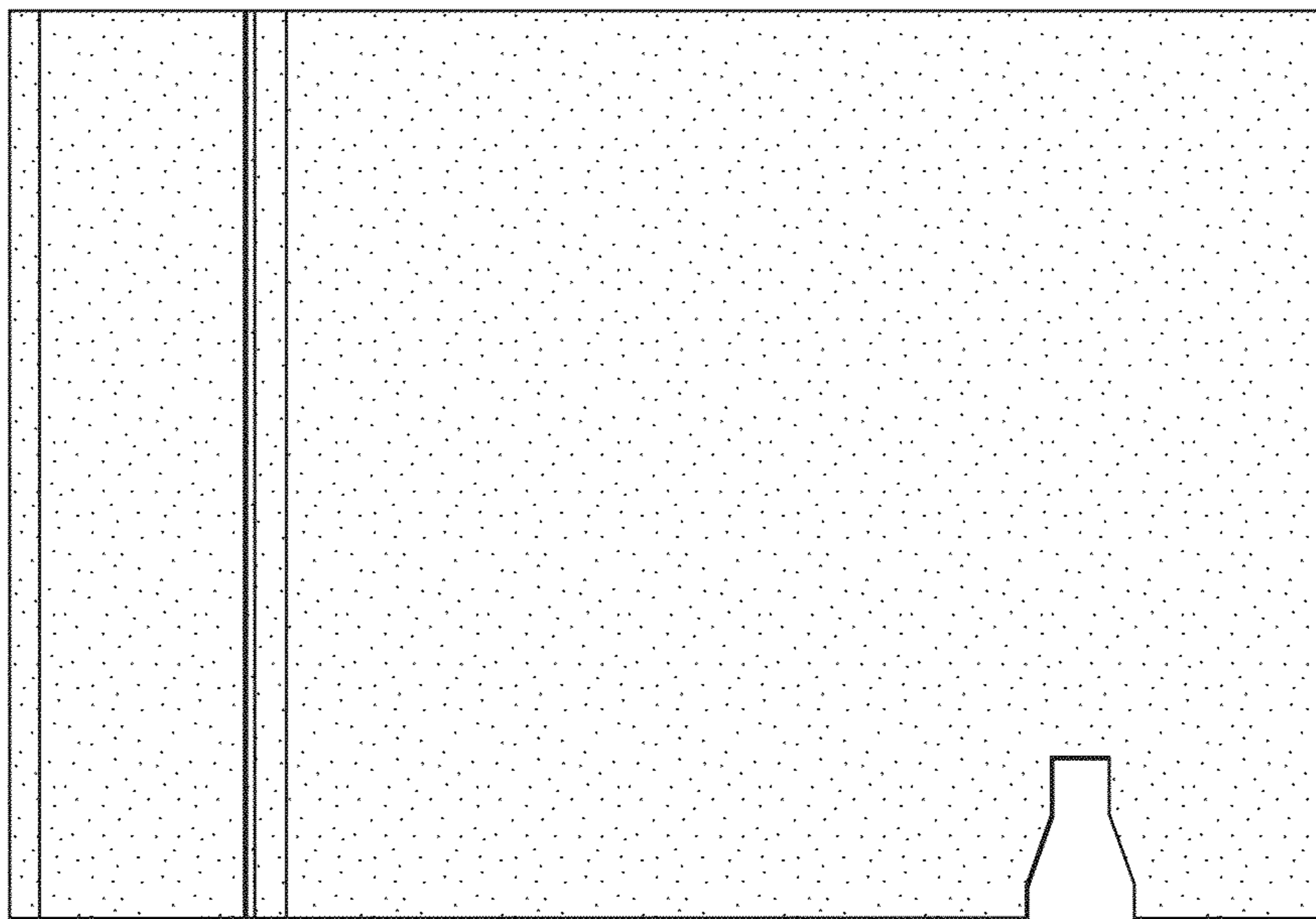


Fig. 4

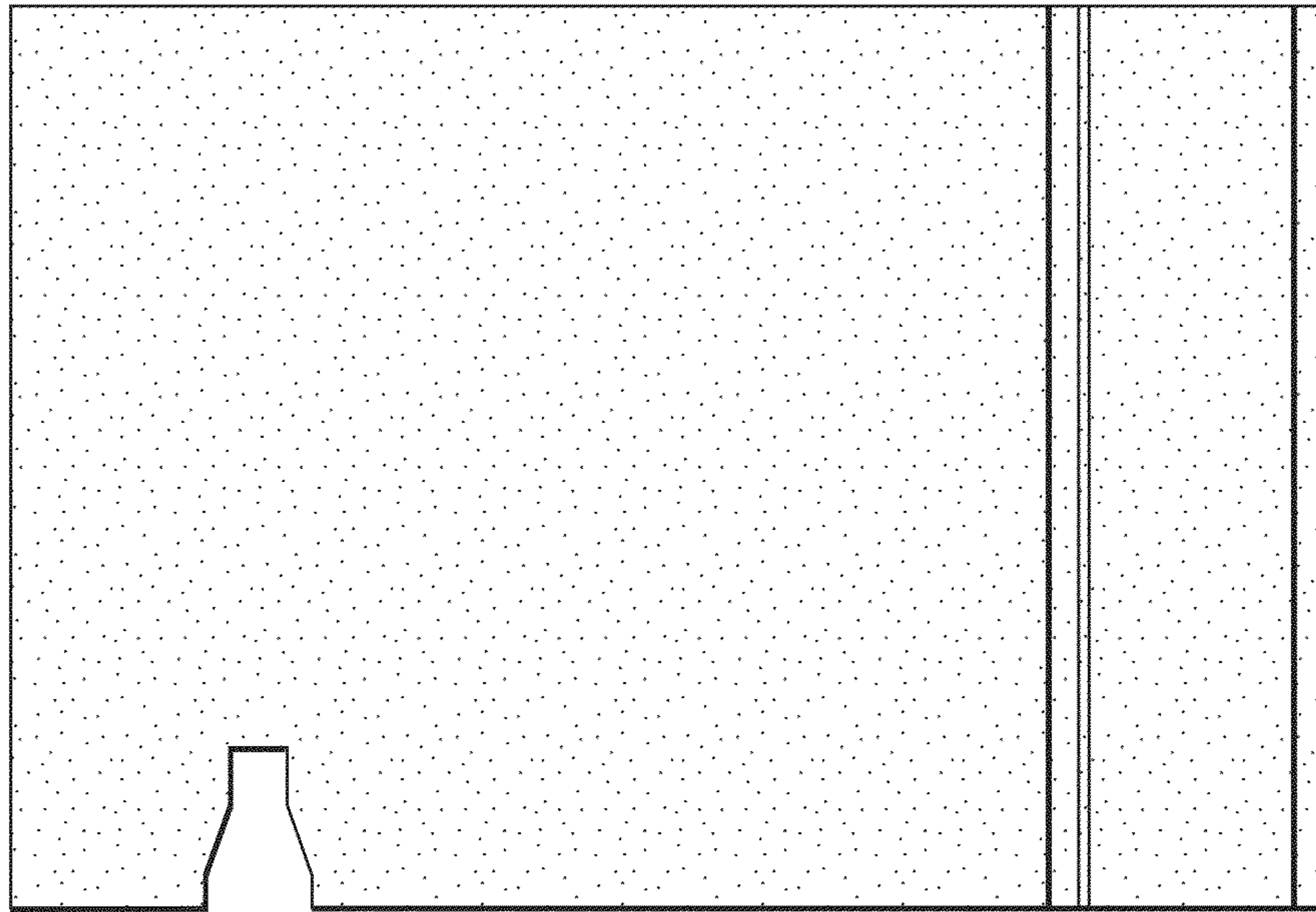


Fig. 5

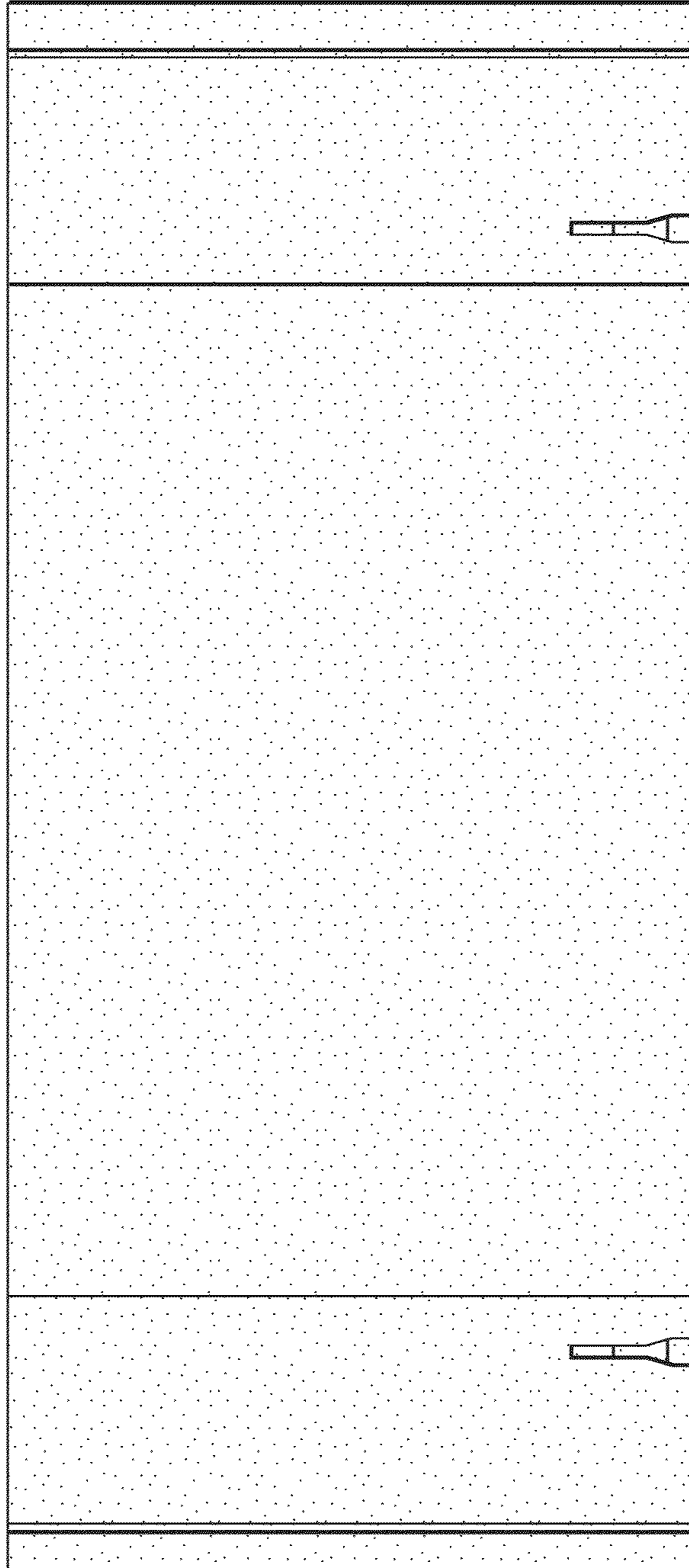


Fig. 6

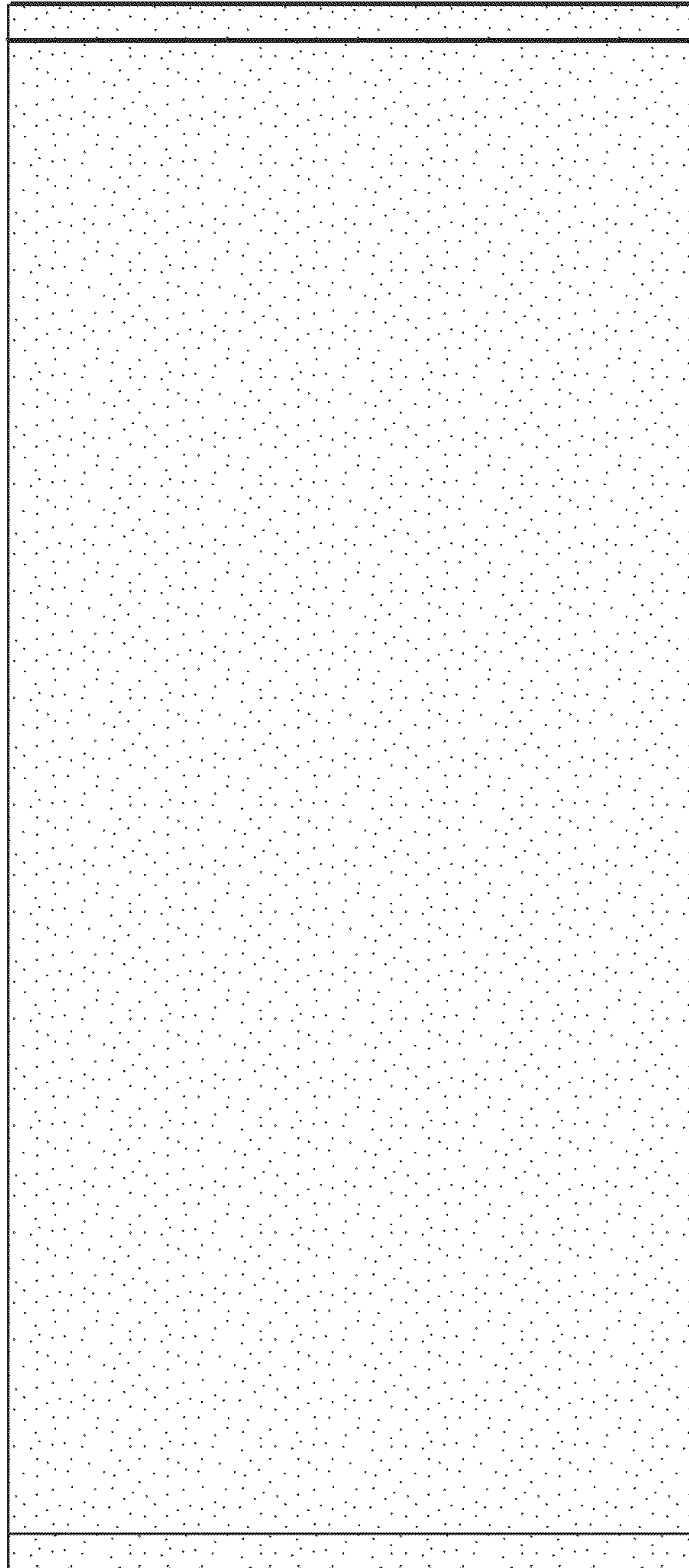


Fig. 7

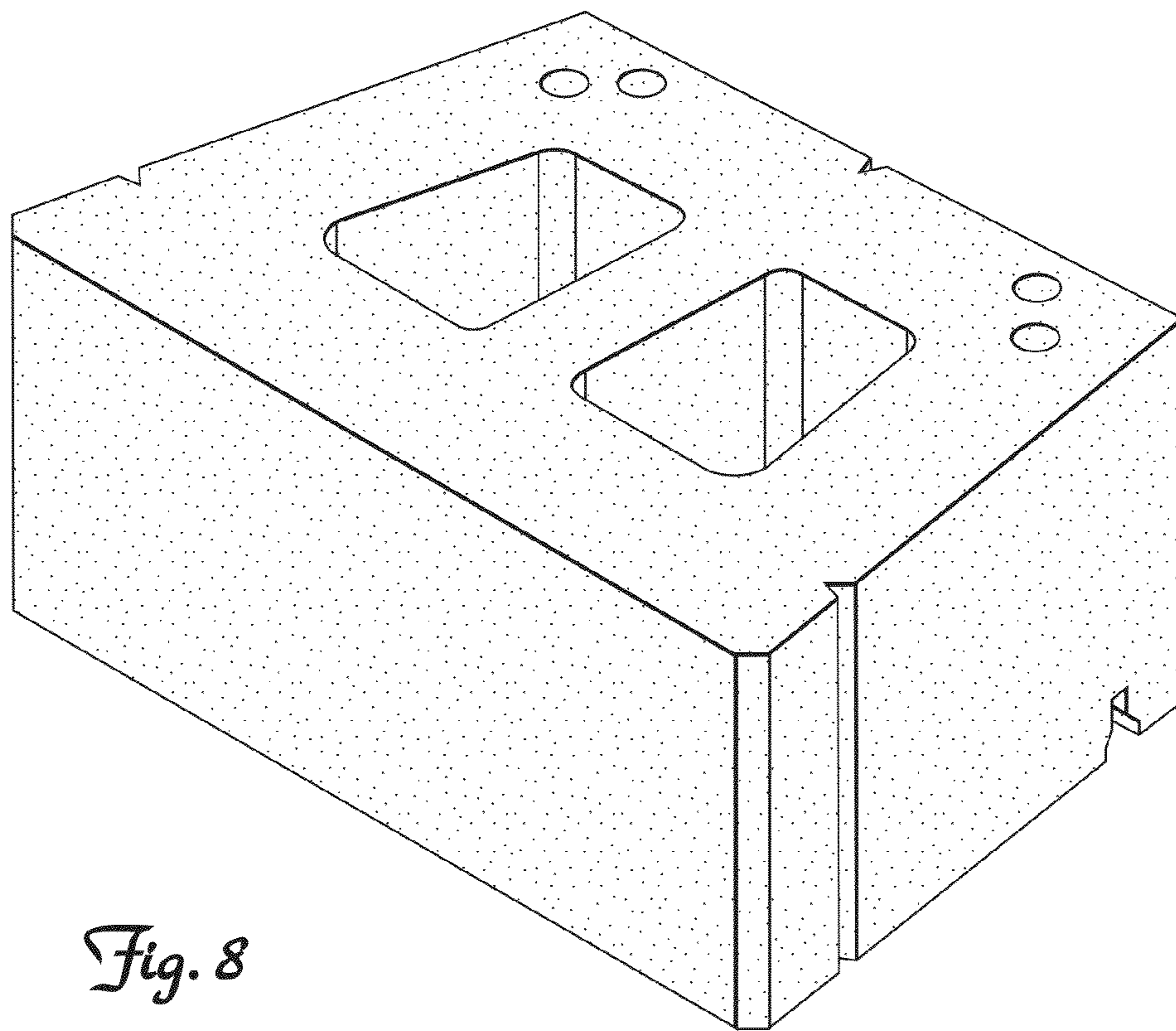


Fig. 8

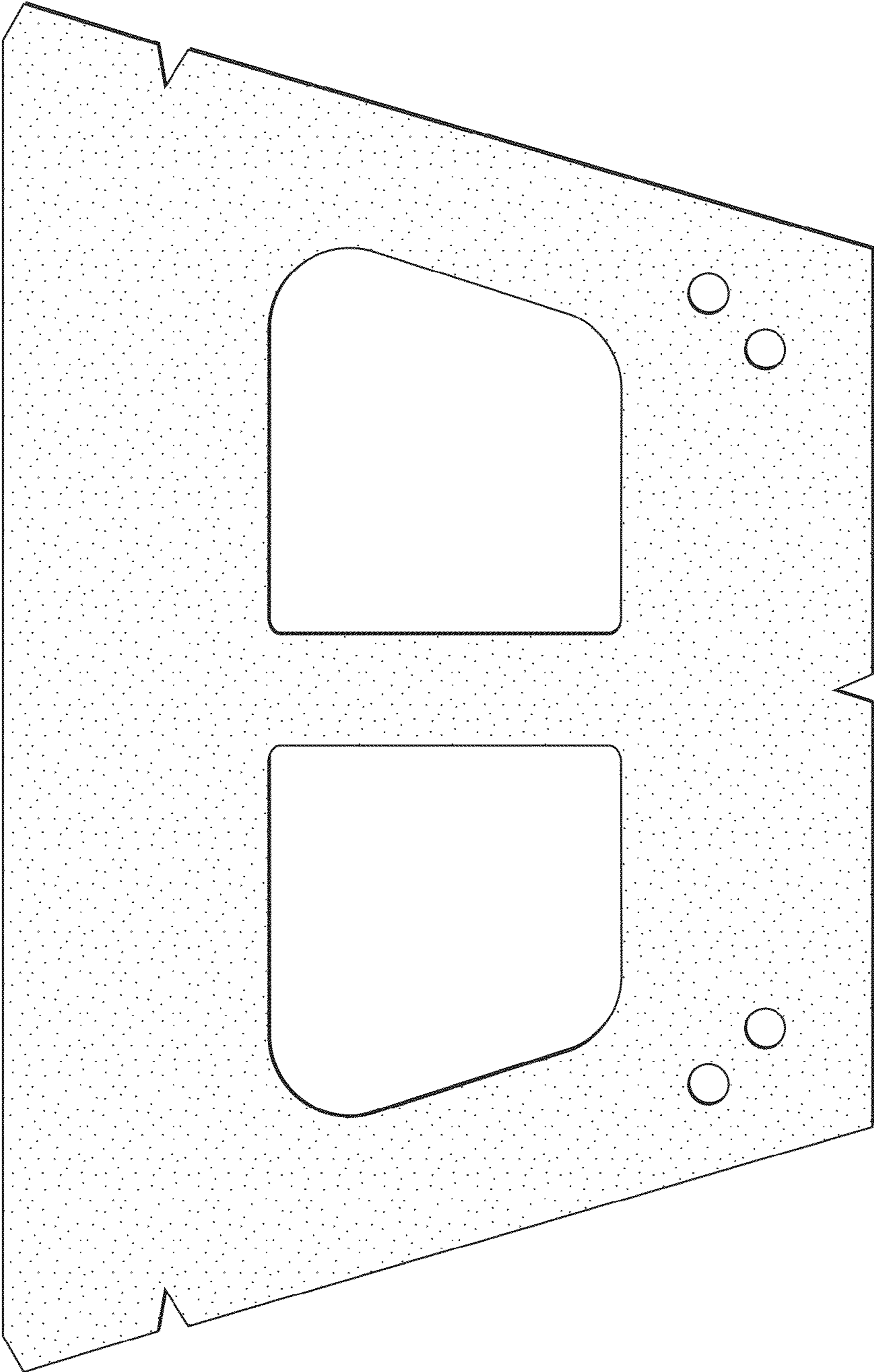


Fig. 9

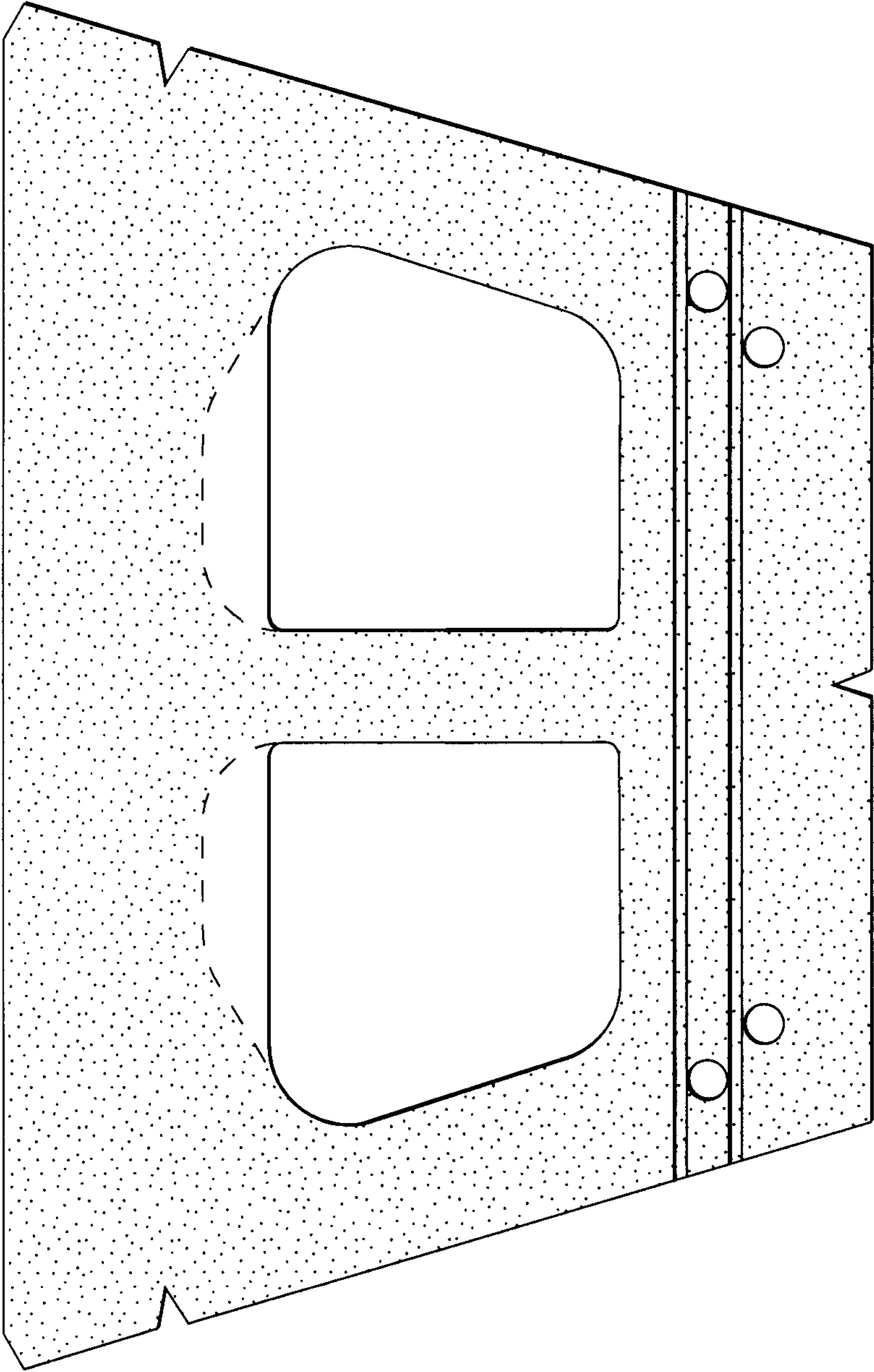


Fig. 10

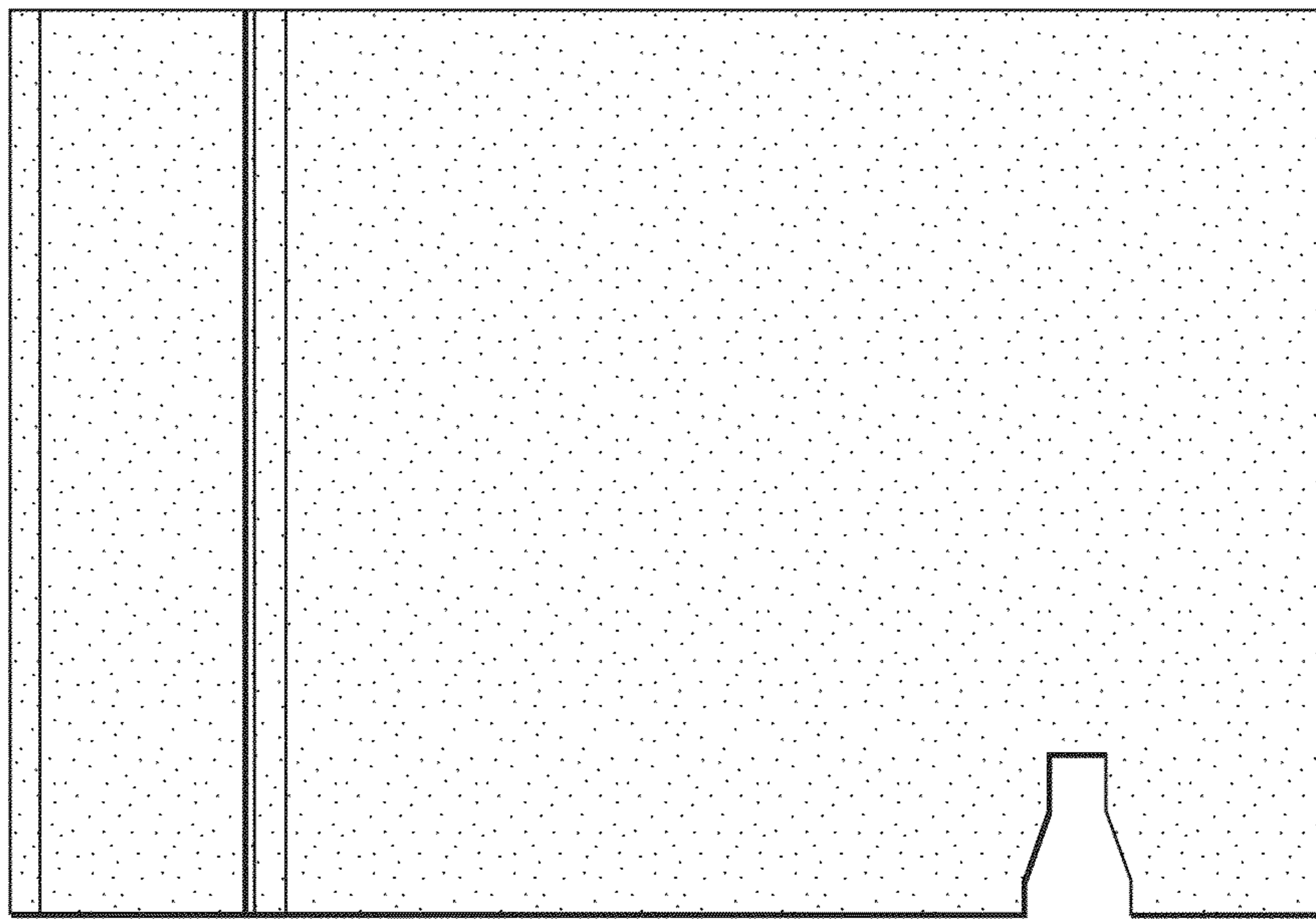


Fig. 11

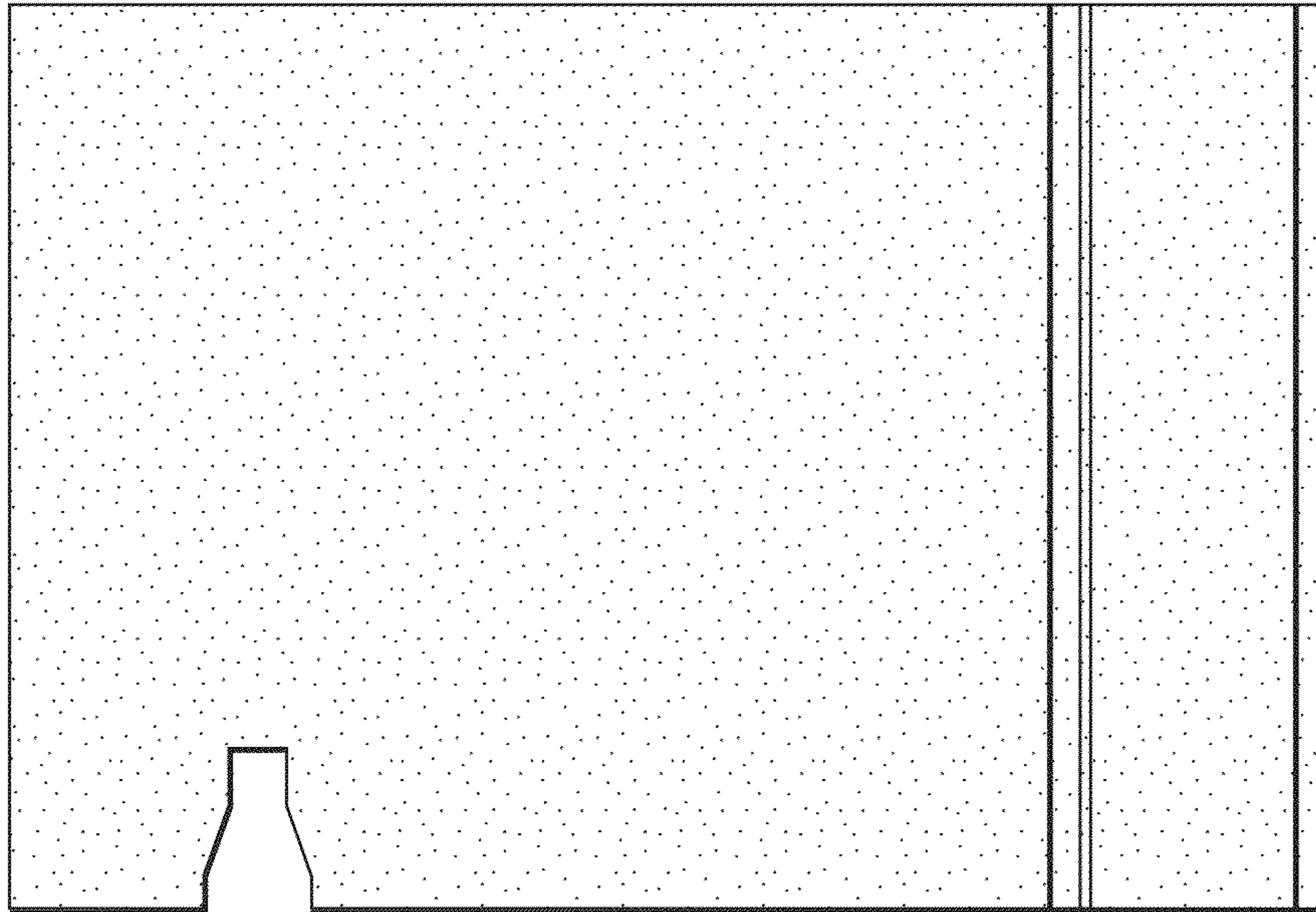


Fig. 12

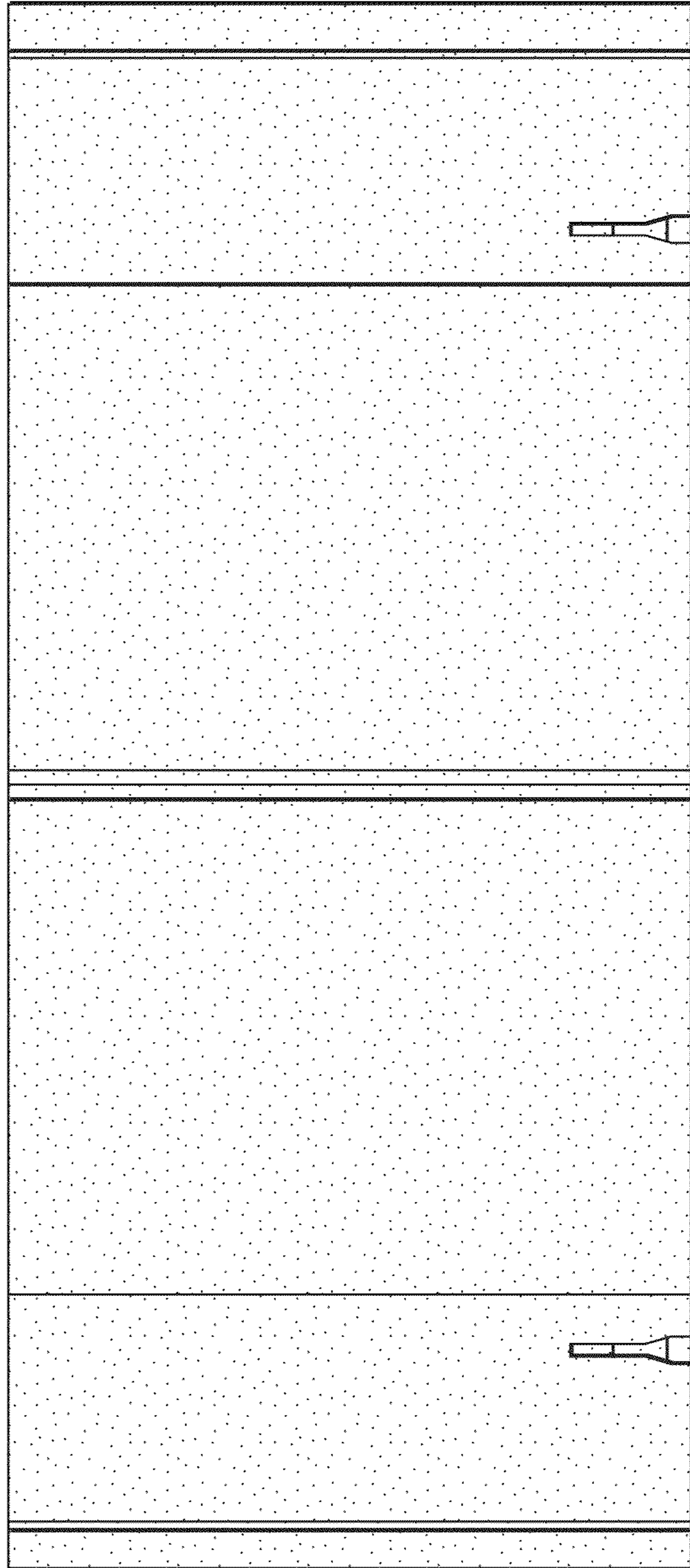


Fig. 13

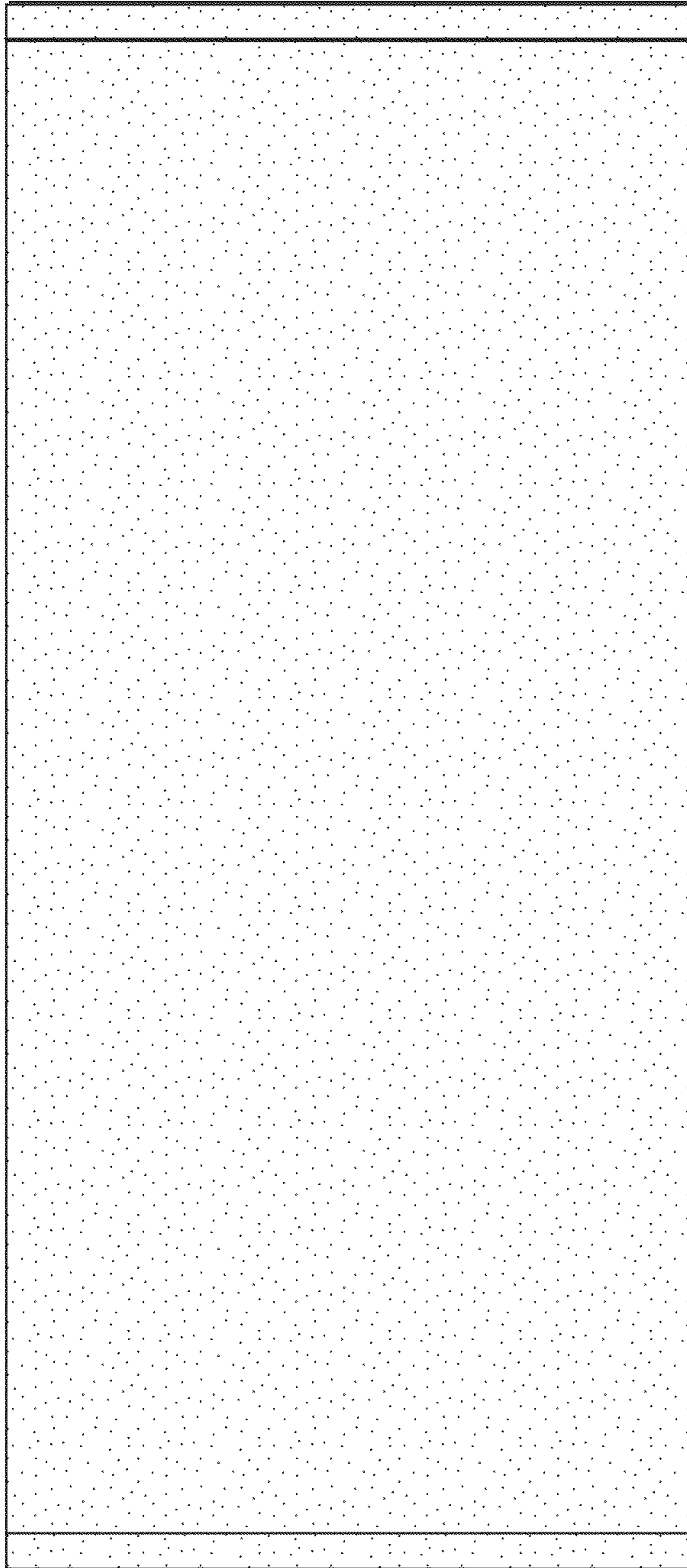


Fig. 14