



US00D708759S

(12) **United States Design Patent**
Heyman et al.

(10) **Patent No.:** **US D708,759 S**

(45) **Date of Patent:** **** Jul. 8, 2014**

(54) **RETINOPATHY INSTRUMENT TRAY**
(71) Applicants: **Arnold M. Heyman**, Los Angeles, CA (US); **Adam F. Weston**, Woodland Hills, CA (US)
(72) Inventors: **Arnold M. Heyman**, Los Angeles, CA (US); **Adam F. Weston**, Woodland Hills, CA (US)
(73) Assignee: **Neotech Products, Inc.**, Valencia, CA (US)

D565,743 S * 4/2008 Phillips et al. D24/229
D571,478 S * 6/2008 Horacek D24/217
D596,311 S * 7/2009 Antons D24/227
D608,015 S * 1/2010 Sandel D24/227
D608,456 S * 1/2010 Sandel D24/227
D618,821 S * 6/2010 Larsen D24/227
D631,558 S * 1/2011 Harmston et al. D24/229
D646,796 S * 10/2011 Walter D24/227
D647,628 S * 10/2011 Helfteren D24/229
D650,912 S * 12/2011 Tomes et al. D24/227
D662,218 S * 6/2012 Pittman D24/227

* cited by examiner

Primary Examiner — T. Chase Nelson

Assistant Examiner — Mark Cavanna

(74) *Attorney, Agent, or Firm* — William W. Haefliger

(**) Term: **14 Years**

(21) Appl. No.: **29/463,205**

(22) Filed: **Oct. 29, 2013**

(51) **LOC (10) Cl.** **24-01**

(52) **U.S. Cl.**
USPC **D24/229**

(58) **Field of Classification Search**
USPC D24/185, 216–232, 127–128;
D3/203.1–203.8, 304;
D6/406.1–406.3, 406.6; D9/341, 345,
D9/347, 348, 415, 418, 419, 430, 732;
422/58, 99, 102, 104, 297, 400,
422/560–564, 509, 942; 206/461–471, 526,
206/528, 531, 534–539; 211/85.13, 126.14,
211/174

See application file for complete search history.

(56) **References Cited**

U.S. PATENT DOCUMENTS

D334,973 S * 4/1993 Valentine et al. D24/227
D337,830 S * 7/1993 Coyne et al. D24/229
D387,177 S * 12/1997 Davis D24/227
D402,767 S * 12/1998 Davis et al. D24/229
D438,634 S * 3/2001 Merry D24/227
D442,697 S * 5/2001 Hajianpour D24/229

(57) **CLAIM**

The ornamental design for a retinopathy instrument tray, as shown and described.

DESCRIPTION

FIG. 1 is a frontal elevation view showing the retinopathy instrument tray;
FIG. 2 is a right side elevation view of the FIG. 1 retinopathy instrument tray, the left side elevation being the same;
FIG. 3 is a lower edge elevation view of the FIG. 1 retinopathy instrument tray, the top edge elevation being the same;
FIG. 4 is a rear elevation view of the FIG. 1 tray;
FIG. 5 is a section view taken on lines 5-5 of FIG. 1;
FIG. 6 is a section view taken on lines 6-6 of FIG. 1;
FIG. 7 is a section view taken on lines 7-7 of FIG. 1;
FIG. 8 is a section view taken on lines 8-8 of FIG. 1;
FIG. 9 is a section view taken on lines 9-9 of FIG. 1;
FIG. 10 is a section view taken on lines 10-10 of FIG. 1; and, FIG. 11 is a section view taken on lines 11-11 of FIG. 1.
The broken lines are included for the purpose of illustrating portions of the retinopathy instrument tray that form no part of the claimed design.

1 Claim, 3 Drawing Sheets

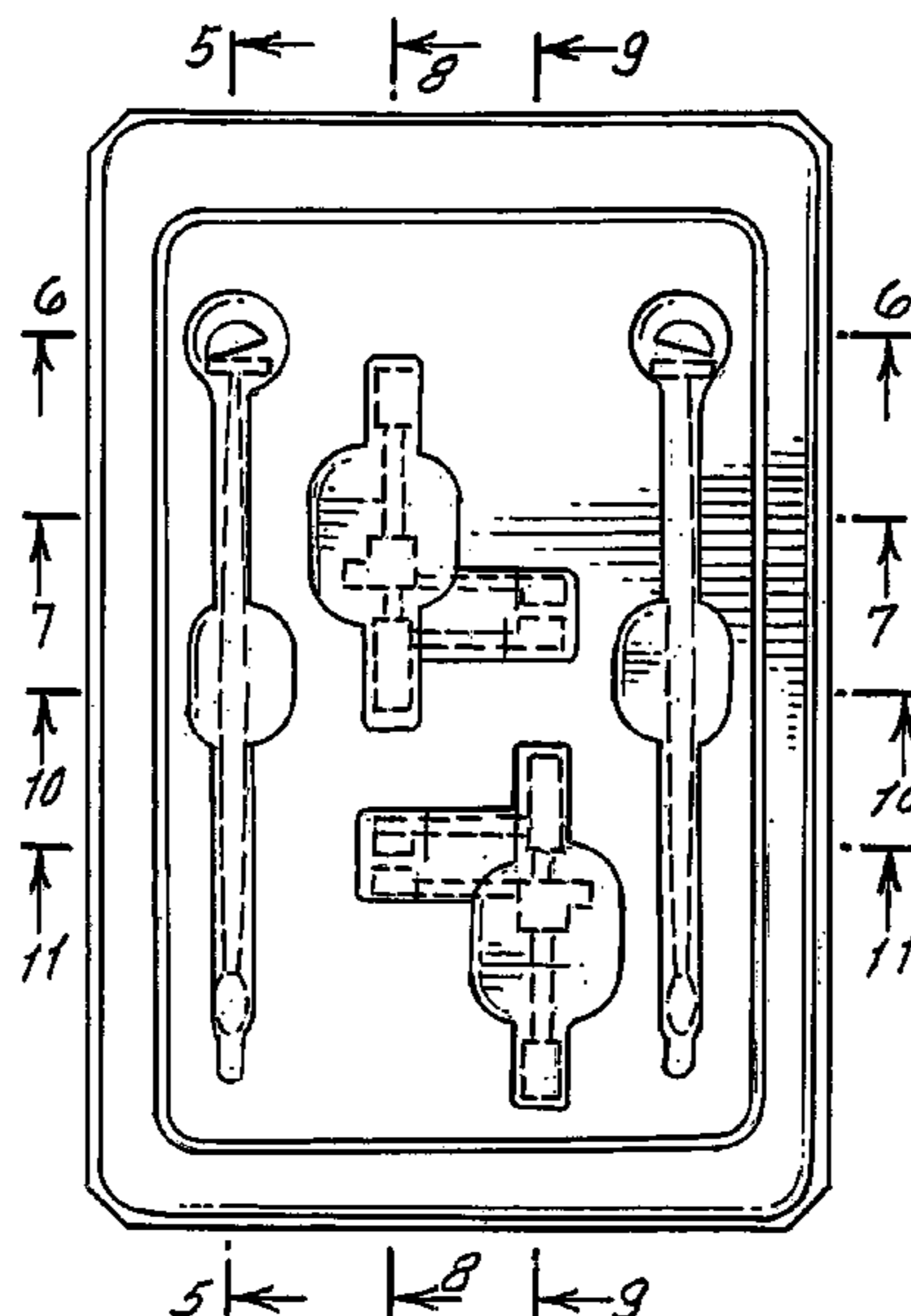
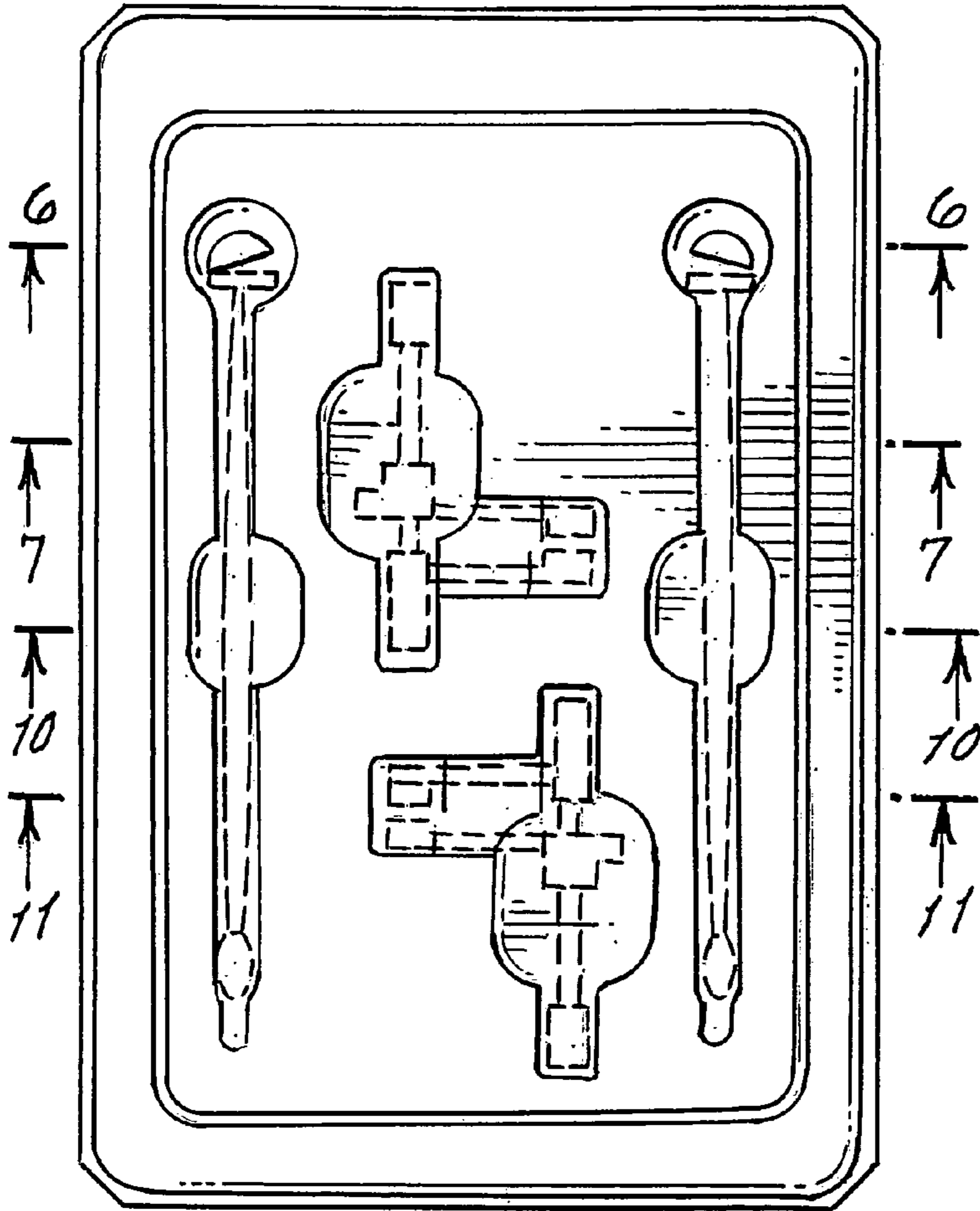


FIG. 1

5 ← 8 ← 9



5 ← 8 ← 9

FIG. 2

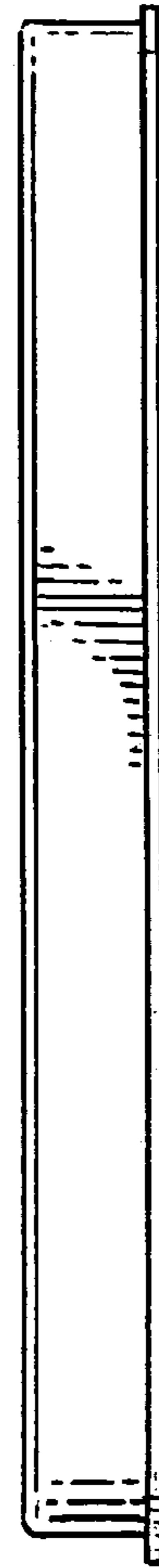


FIG. 3



FIG. 4

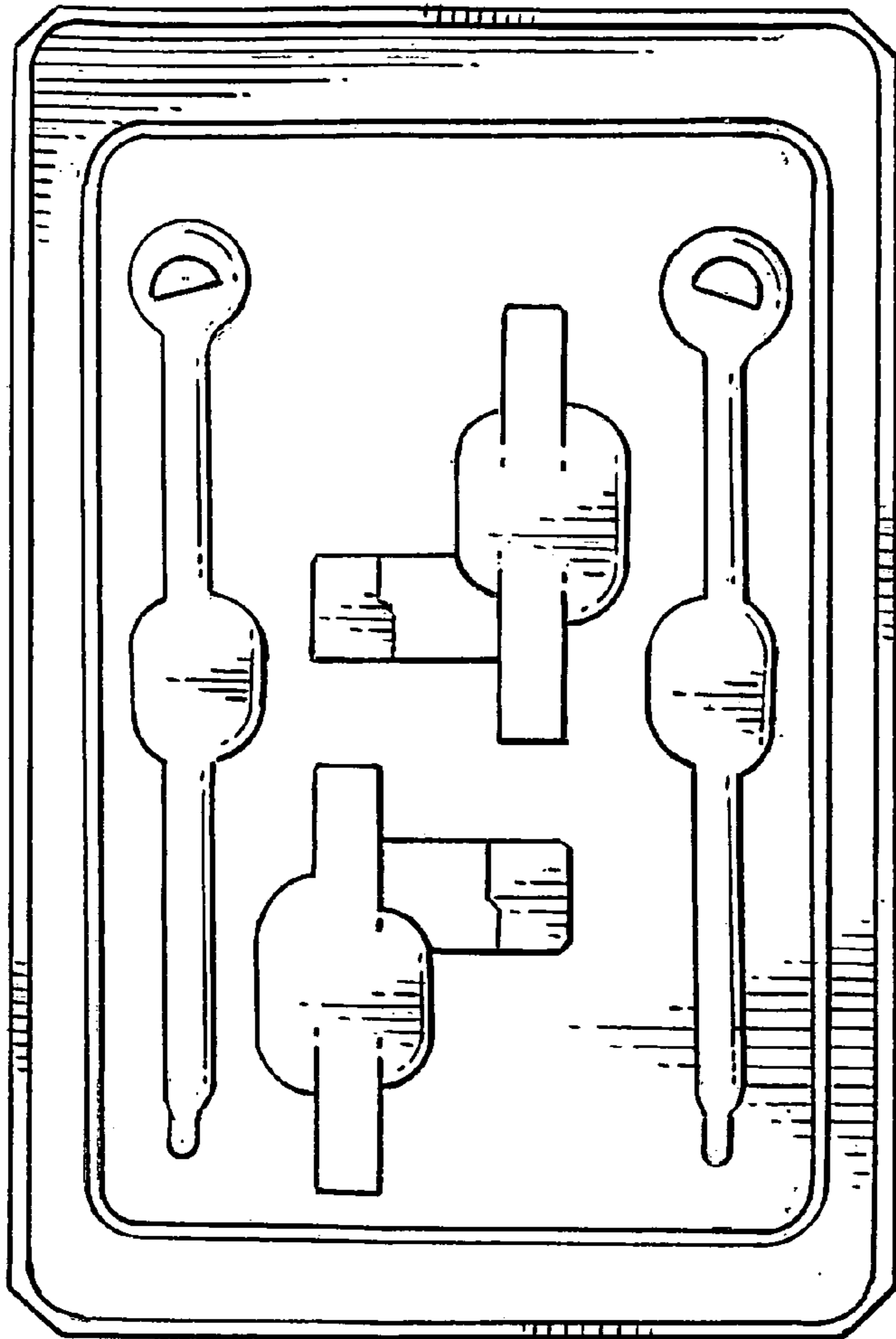


FIG. 5

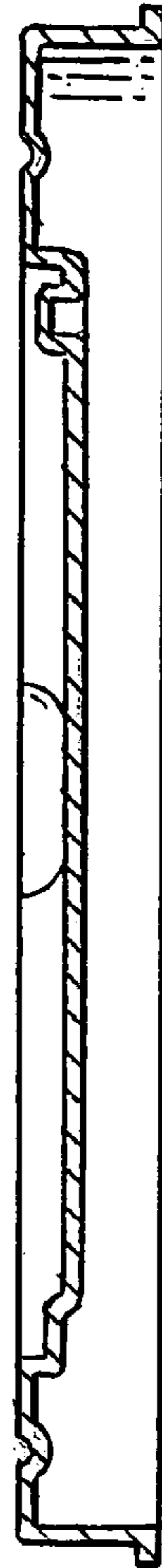


FIG. 6

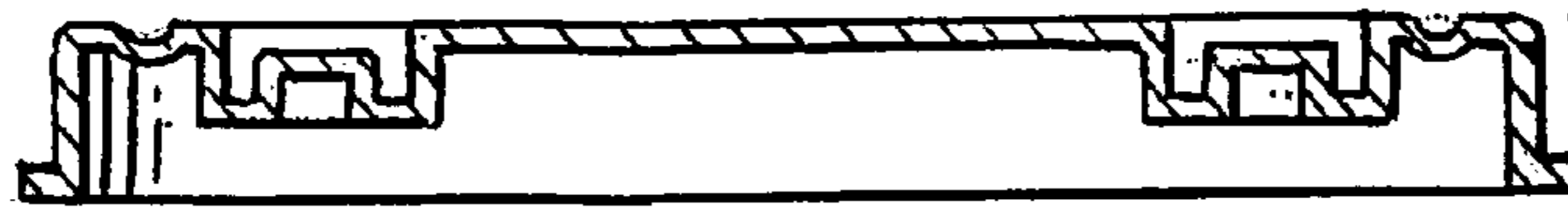


FIG. 7



FIG. 8

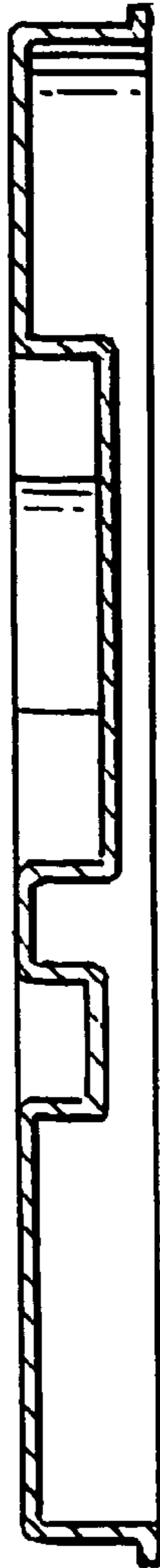


FIG. 9

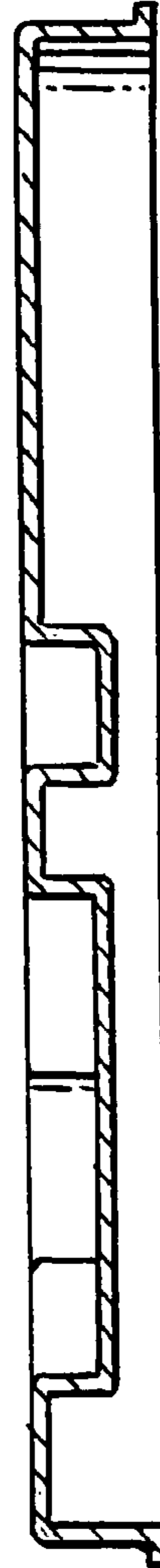


FIG. 10

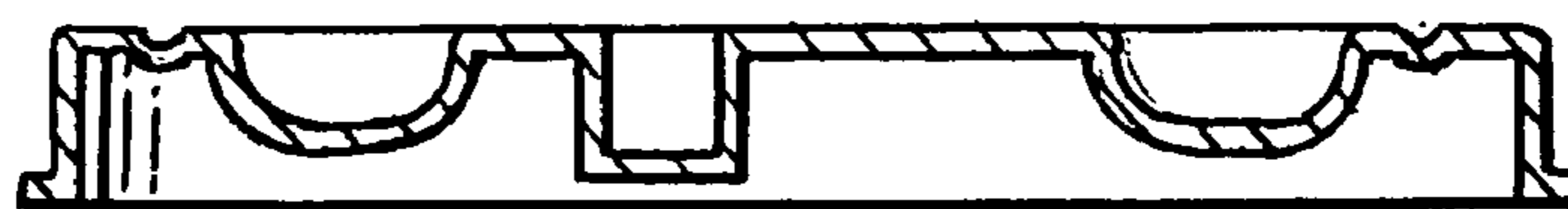


FIG. 11

