



US00D708756S

(12) **United States Design Patent**  
**Marshall**

(10) **Patent No.:** **US D708,756 S**  
(45) **Date of Patent:** **\*\* Jul. 8, 2014**

(54) **VIBRATOR**

(71) Applicant: **Ian Peter Marshall**, Kettering (GB)

(72) Inventor: **Ian Peter Marshall**, Kettering (GB)

(73) Assignee: **Rocks Off Limited**

(\*\*) Term: **14 Years**

(21) Appl. No.: **29/477,239**

(22) Filed: **Dec. 20, 2013**

(51) **LOC (10) Cl.** ..... **28-03**

(52) **U.S. Cl.**  
USPC ..... **D24/215**

(58) **Field of Classification Search**  
USPC ..... D24/200, 211, 212, 213, 214, 215;  
601/19, 27-32, 46, 49, 52, DIG. 12,  
601/DIG. 14, DIG. 15, DIG. 16, DIG. 17;  
D21/685

See application file for complete search history.

(56) **References Cited**

U.S. PATENT DOCUMENTS

D248,668	S	*	7/1978	Brehm	.....	D24/211
D357,323	S	*	4/1995	Leonard et al.	.....	D24/215
D390,966	S	*	2/1998	Huang	.....	D24/211
D630,761	S	*	1/2011	Marshall	.....	D24/215
D638,134	S	*	5/2011	Nikitczuk et al.	.....	D24/215
D639,442	S	*	6/2011	Chandler	.....	D24/190
D652,527	S	*	1/2012	Marshall	.....	D24/215
D666,733	S	*	9/2012	Caggiano et al.	.....	D24/215
D695,413	S	*	12/2013	Grust et al.	.....	D24/214

\* cited by examiner

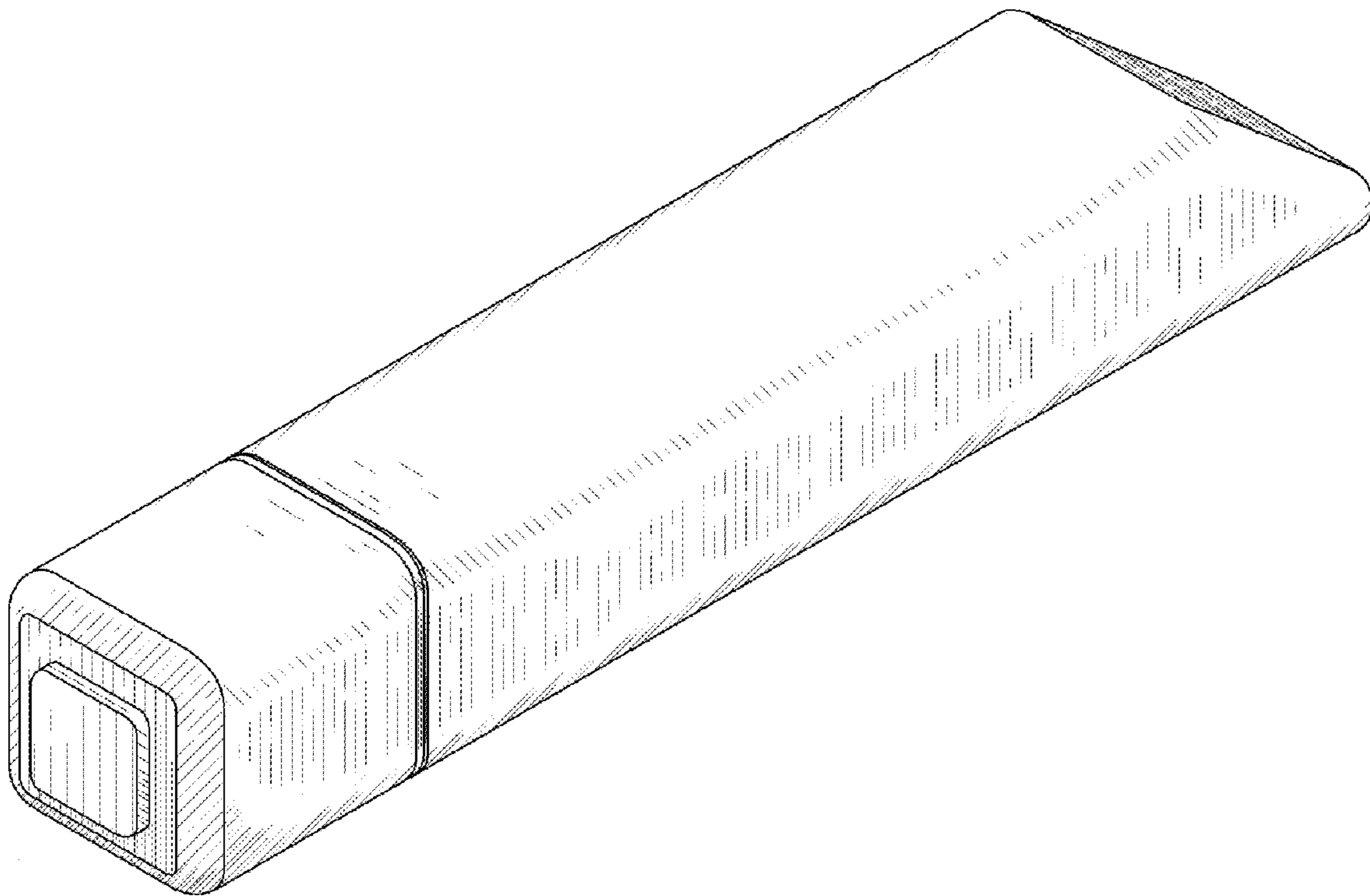
*Primary Examiner* — Sandra Snapp

(57) **CLAIM**  
The ornamental design for a vibrator, as shown and described.

**DESCRIPTION**

FIG. 1 is an isometric view of a vibrator showing my new design;  
FIG. 2 is a front view thereof;  
FIG. 3 is a rear view thereof;  
FIG. 4 is a left view thereof;  
FIG. 5 is a right view thereof;  
FIG. 6 is a top plan view thereof; and,  
FIG. 7 is a bottom plan view thereof.

**1 Claim, 6 Drawing Sheets**



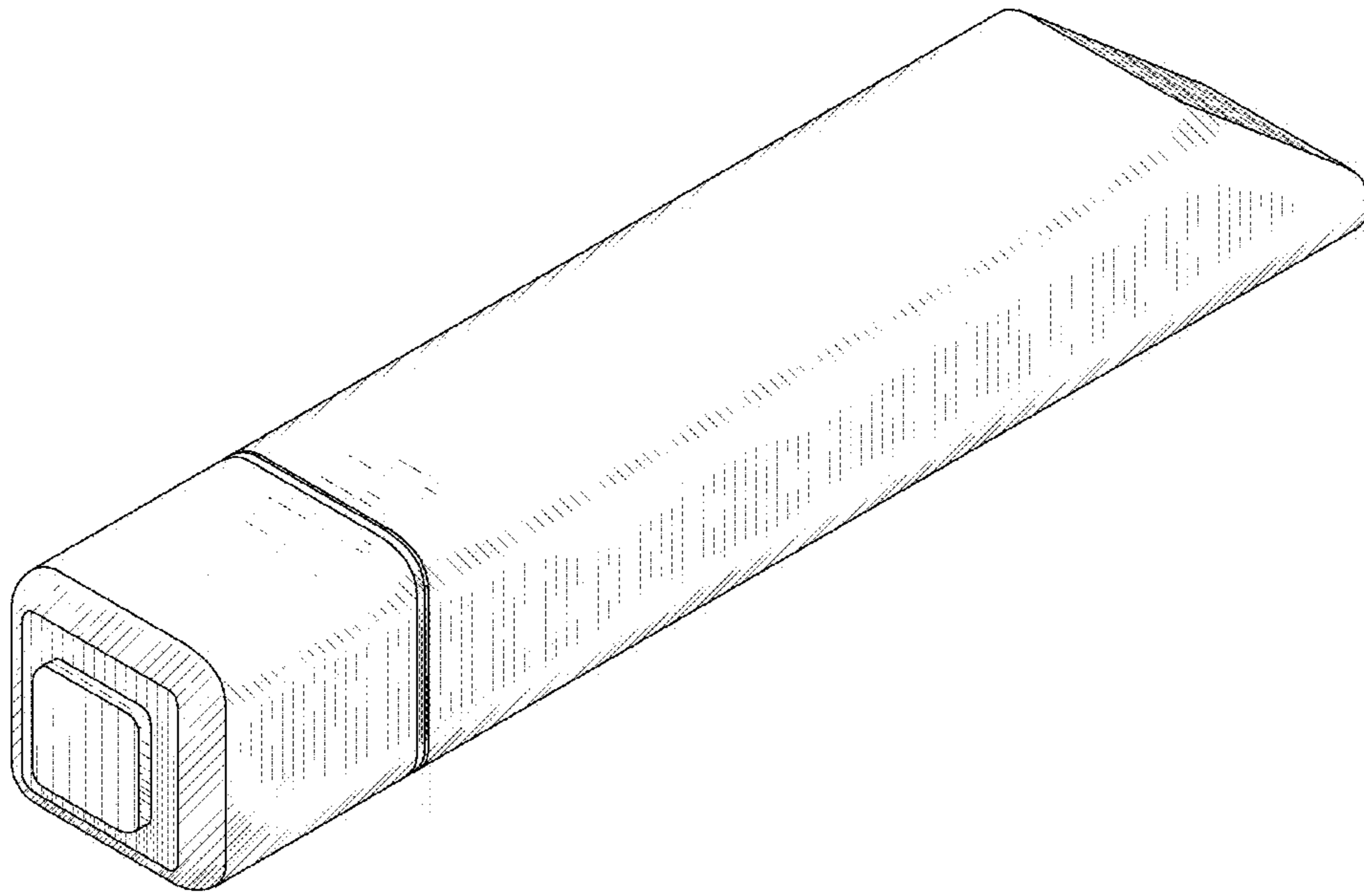


FIG. 1

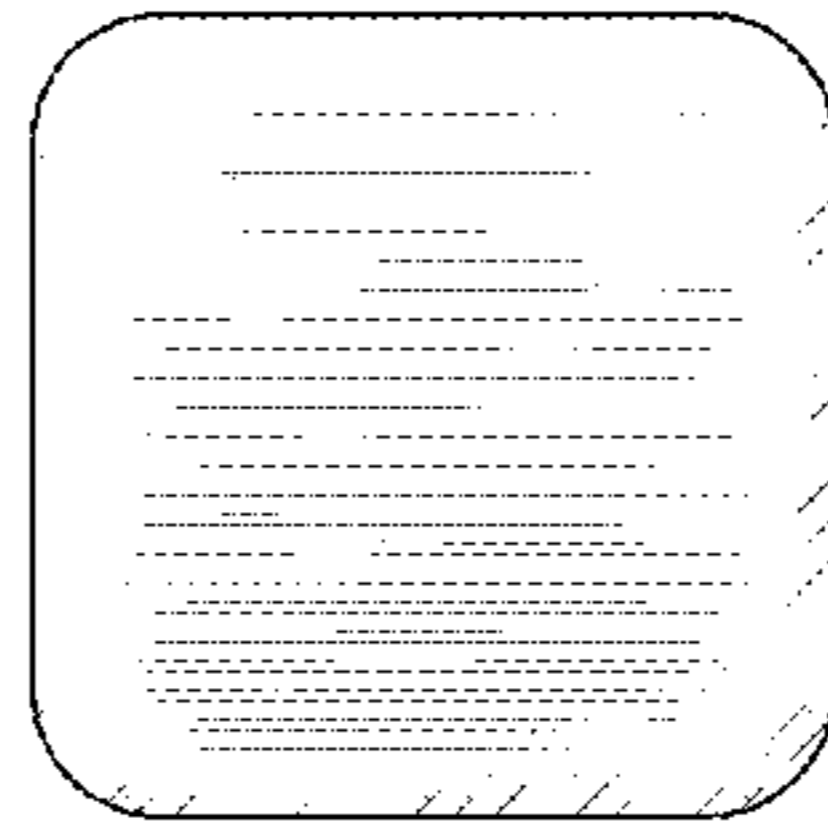


FIG. 2

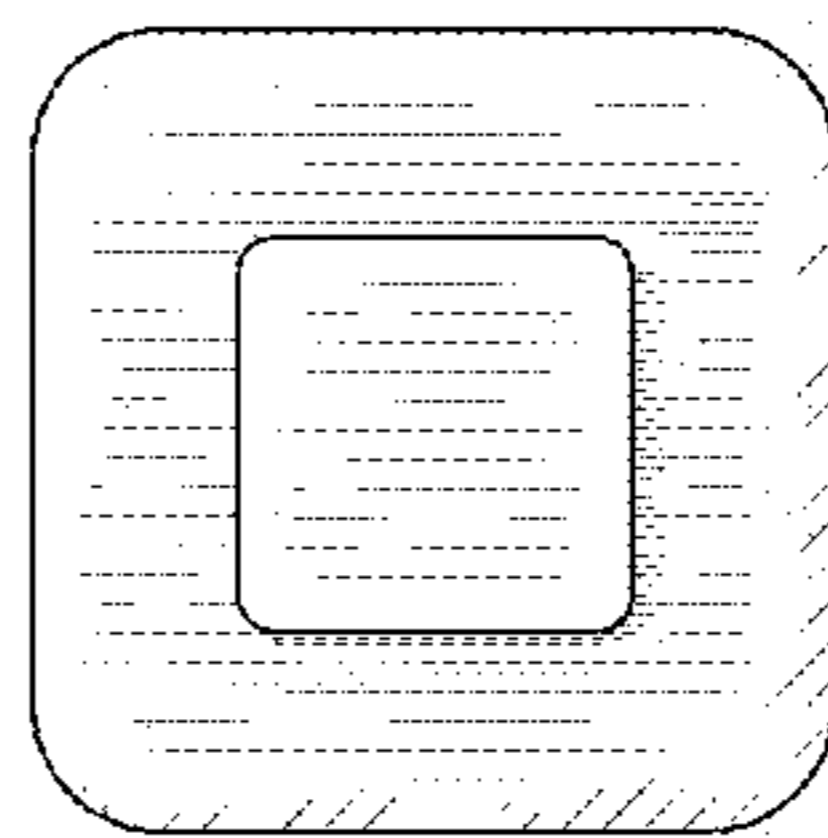


FIG. 3

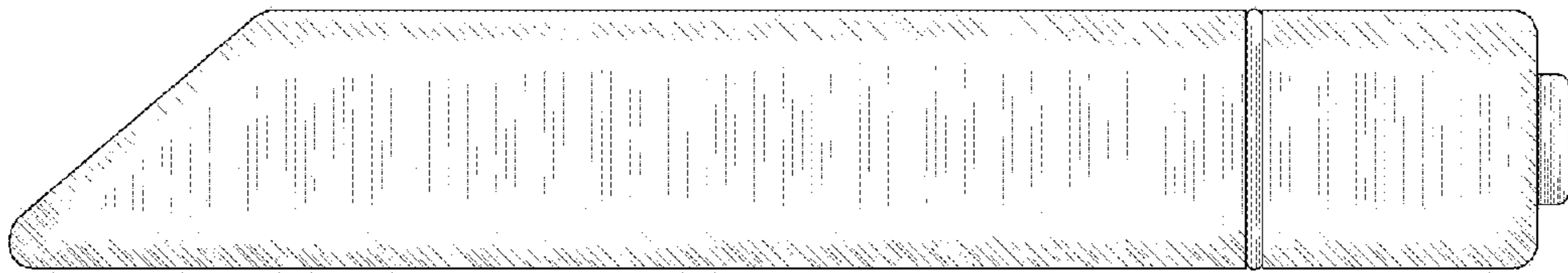


FIG. 4

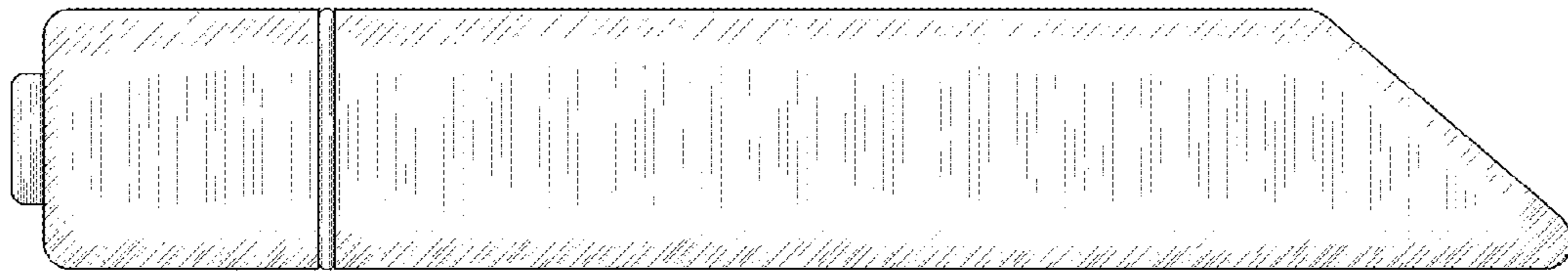


FIG. 5

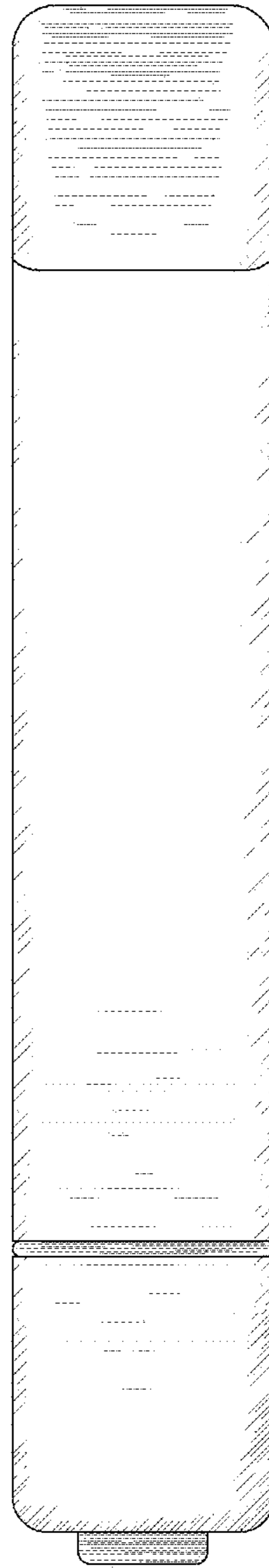


FIG. 6



FIG. 7