



US00D708754S

(12) **United States Design Patent**
Harangvolgyi

(10) **Patent No.:** **US D708,754 S**

(45) **Date of Patent:** **** Jul. 8, 2014**

(54) **THERAPY DEVICE**

(74) *Attorney, Agent, or Firm* — Jack A. Kanz

(71) Applicant: **Anna Maria Harangvolgyi**, Budapest (HU)

(57) **CLAIM**

The ornamental design for a therapy device, as shown and described.

(72) Inventor: **Anna Maria Harangvolgyi**, Budapest (HU)

DESCRIPTION

(**) Term: **14 Years**

FIG. 1 is a front perspective view of a therapy device showing my new design;

(21) Appl. No.: **29/480,909**

FIG. 2 is a front elevation view thereof, the back elevation view and side elevation views being identical thereto;

(22) Filed: **Jan. 30, 2014**

FIG. 3 is a top view thereof;

(51) **LOC (10) Cl.** **28-03**

FIG. 4 is a bottom view thereof;

(52) **U.S. Cl.**
USPC **D24/211**

FIG. 5 is a front perspective view of a first alternative embodiment thereof;

(58) **Field of Classification Search**
USPC D24/200, 211, 212, 213, 214, 215;
601/19, 27–32, 46, 49, 52, DIG. 12,
601/DIG. 14, DIG. 15, DIG. 16, DIG. 17;
D21/685

FIG. 6 is a front elevation view of a first alternative embodiment, the back elevation view and side elevation views being identical thereto;

See application file for complete search history.

FIG. 7 is a top view of the first alternative embodiment thereof;

(56) **References Cited**

FIG. 8 is a front perspective view of a second alternative embodiment thereof;

U.S. PATENT DOCUMENTS

FIG. 9 is a front elevation view of a second alternative embodiment, the back elevation view and side elevation views being identical thereto;

4,182,317	A *	1/1980	Ash	601/41
4,807,603	A *	2/1989	Yasui	601/121
7,250,032	B2 *	7/2007	Fink	601/118
D567,952	S *	4/2008	Fink	D24/200
D567,954	S *	4/2008	Fink	D24/200
D567,955	S *	4/2008	Fink	D24/200
D695,413	S *	12/2013	Grust et al.	D24/214
D700,346	S *	2/2014	Palizzi et al.	D24/211
D700,709	S *	3/2014	Khodabakhshian	D24/211

FIG. 10 is a top view of the second alternative embodiment thereof;

FIG. 11 is a front perspective view of a third alternative embodiment thereof;

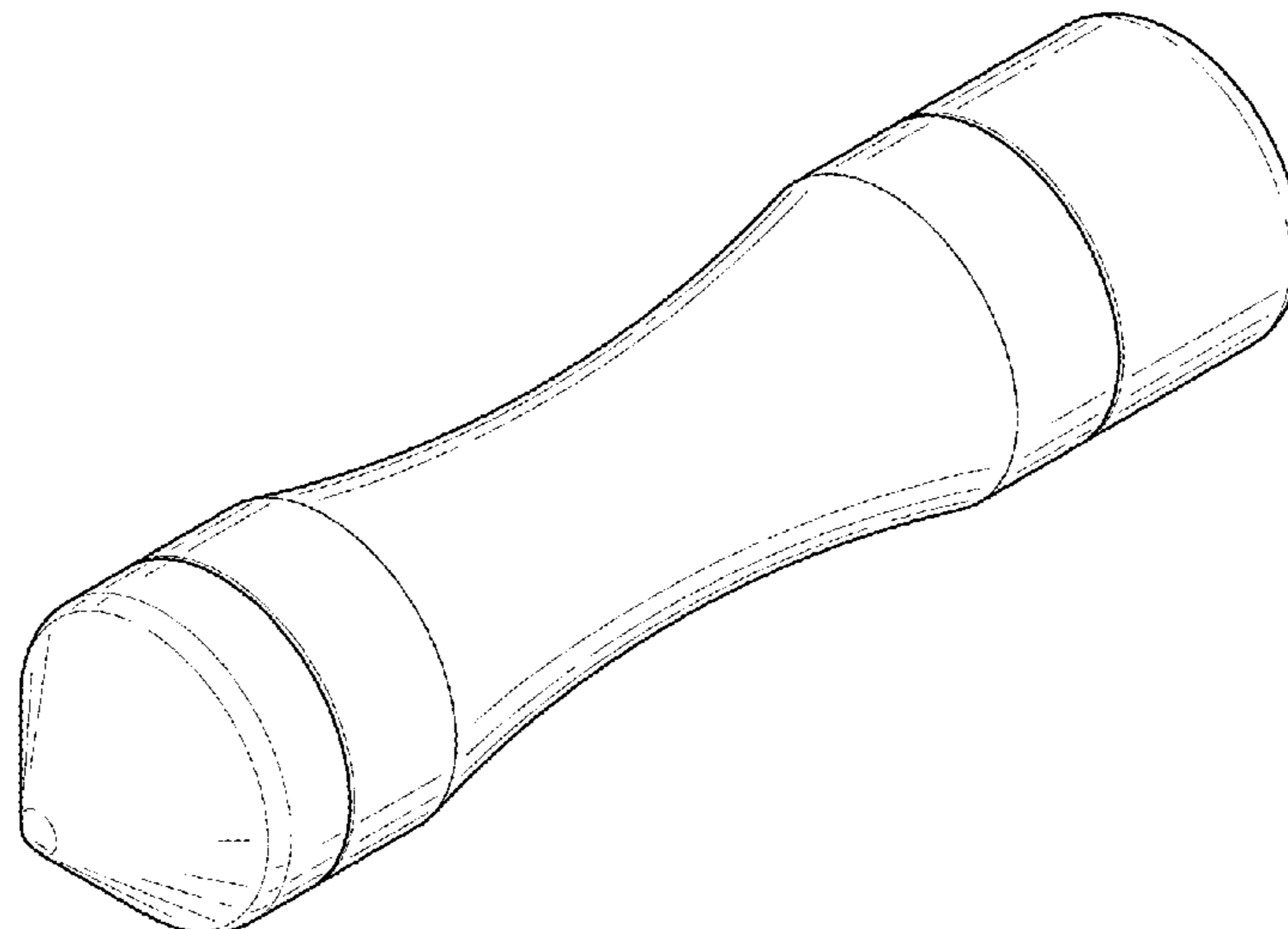
FIG. 12 is a front elevation view of a third alternative embodiment, the back elevation view and side elevation views being identical thereto; and,

* cited by examiner

FIG. 13 is a top view of the third alternative embodiment of my new design for a therapy device.

Primary Examiner — Sandra Snapp

1 Claim, 8 Drawing Sheets



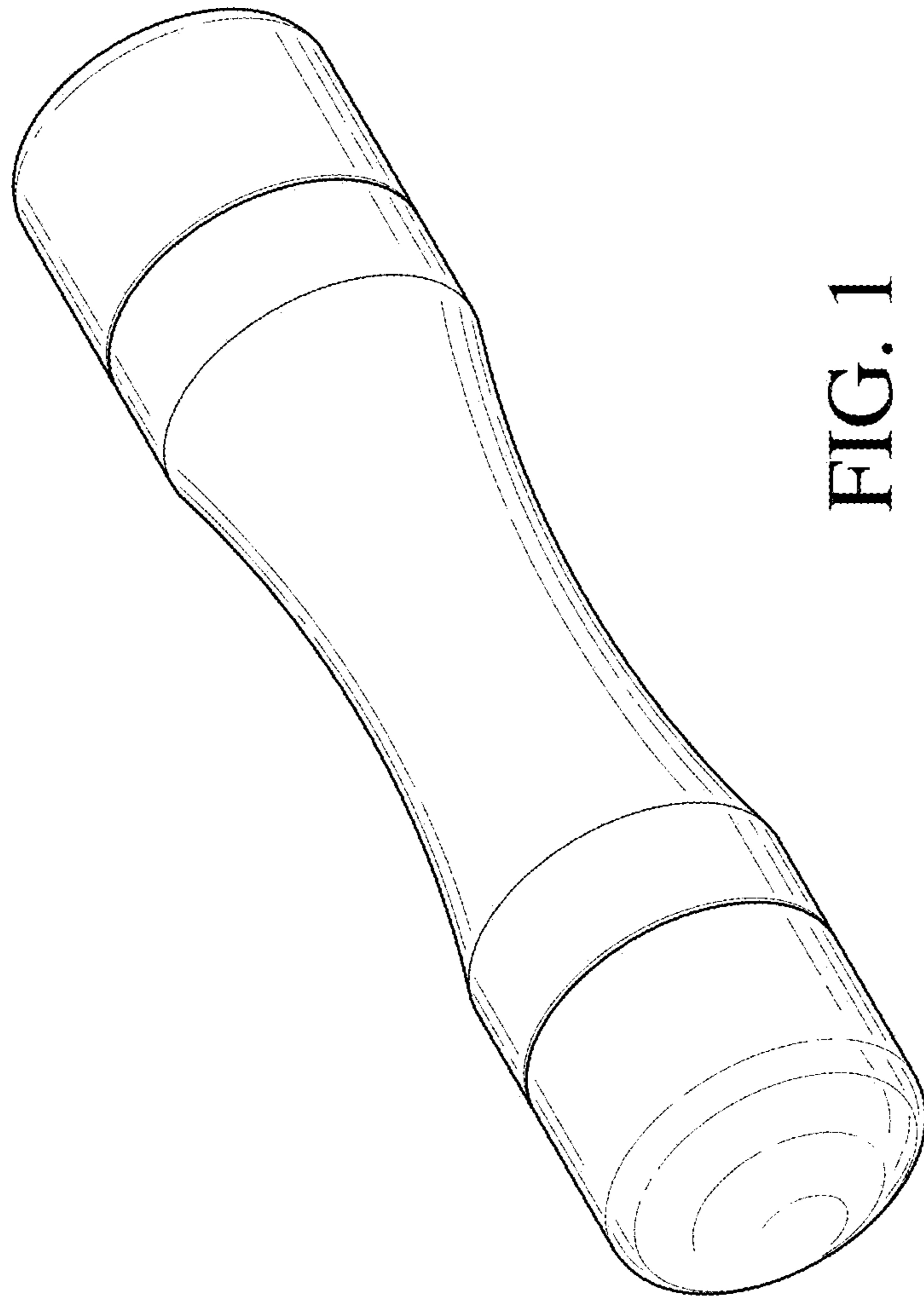


FIG. 1

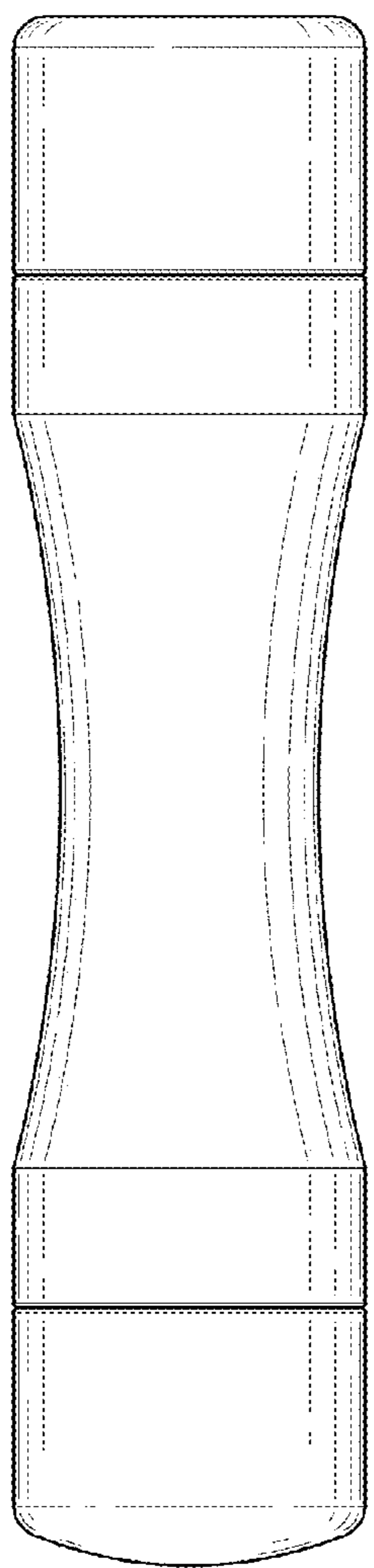


FIG. 2

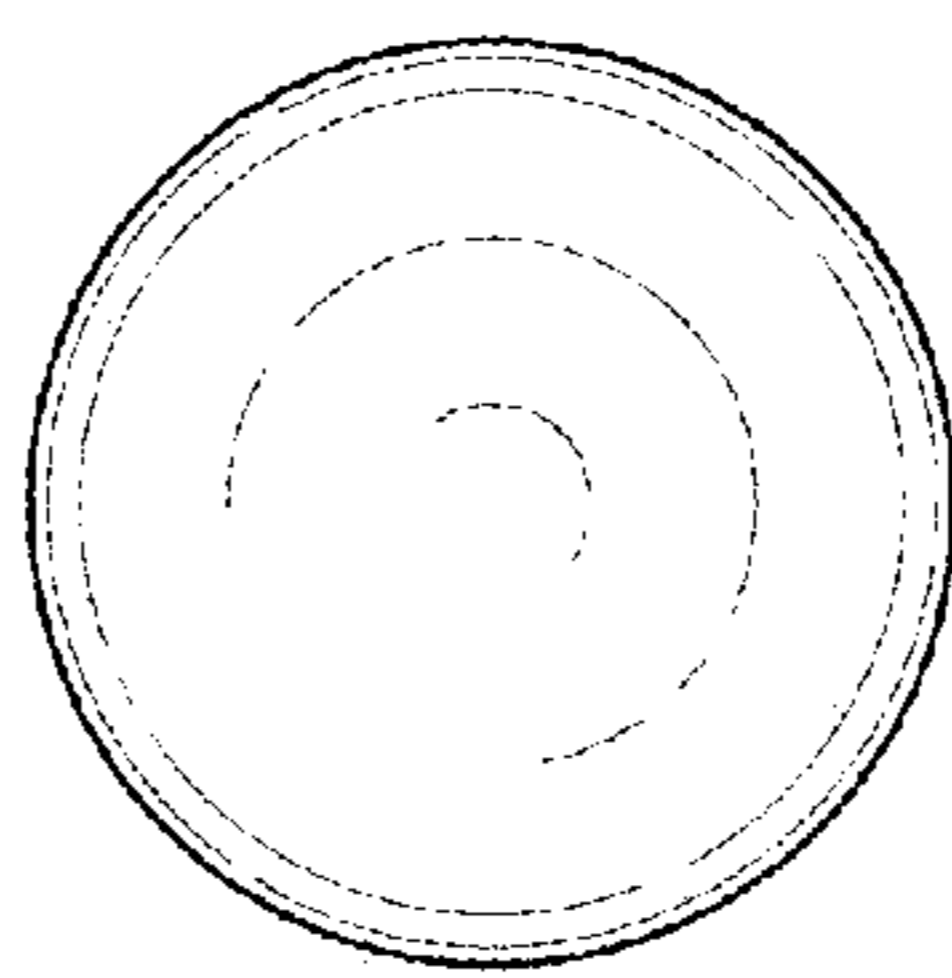


FIG. 3

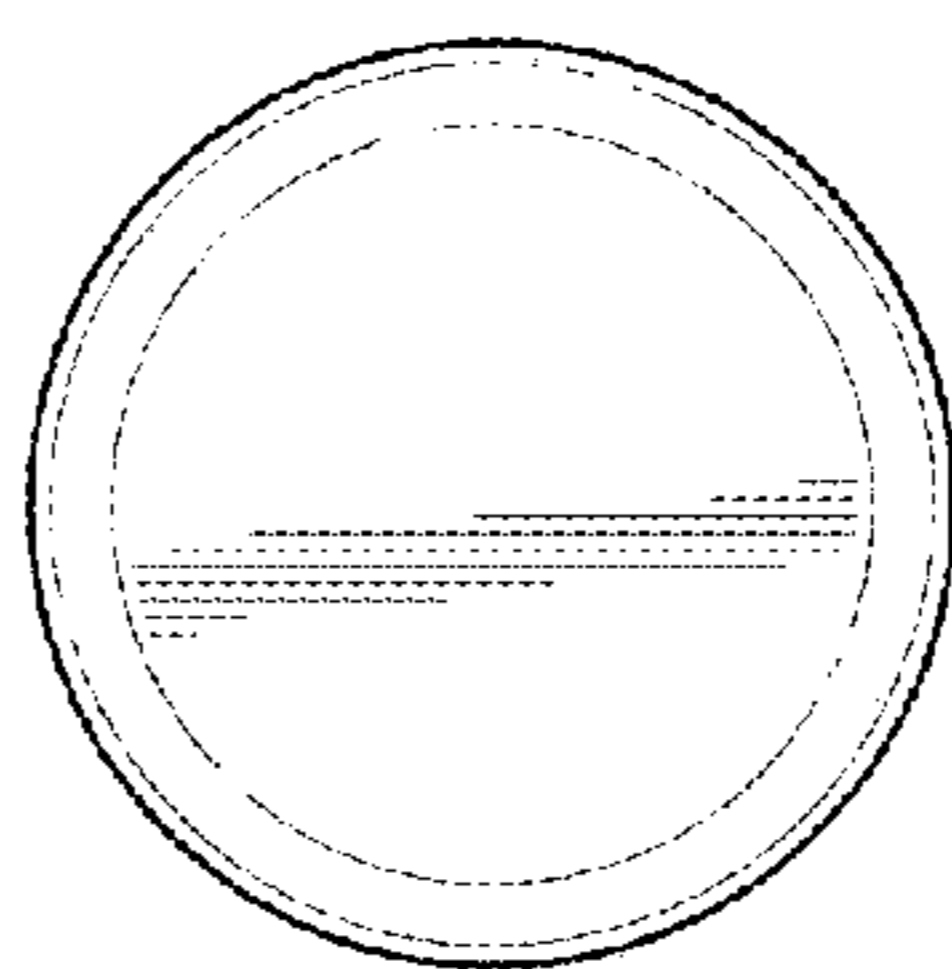


FIG. 4

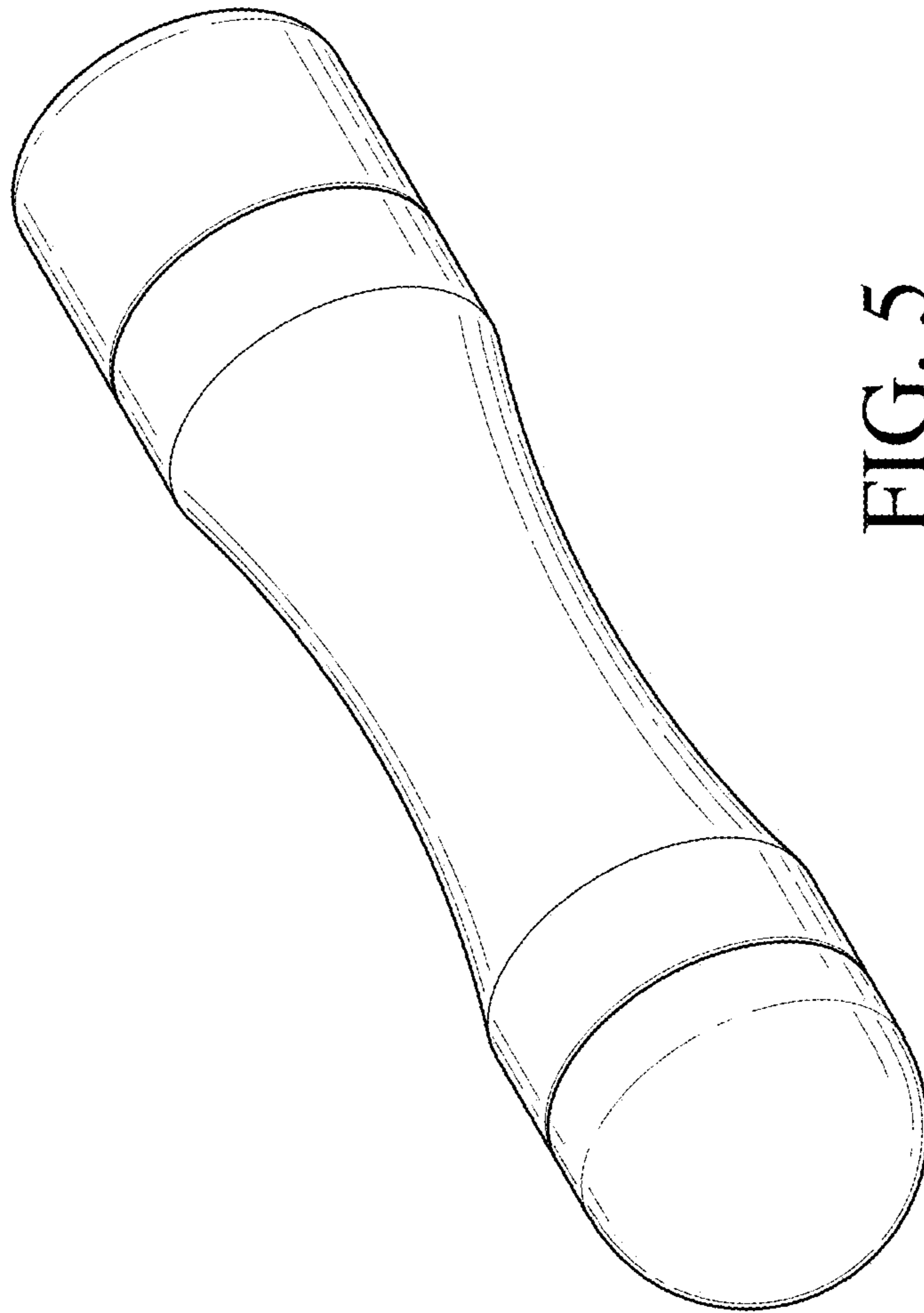


FIG. 5

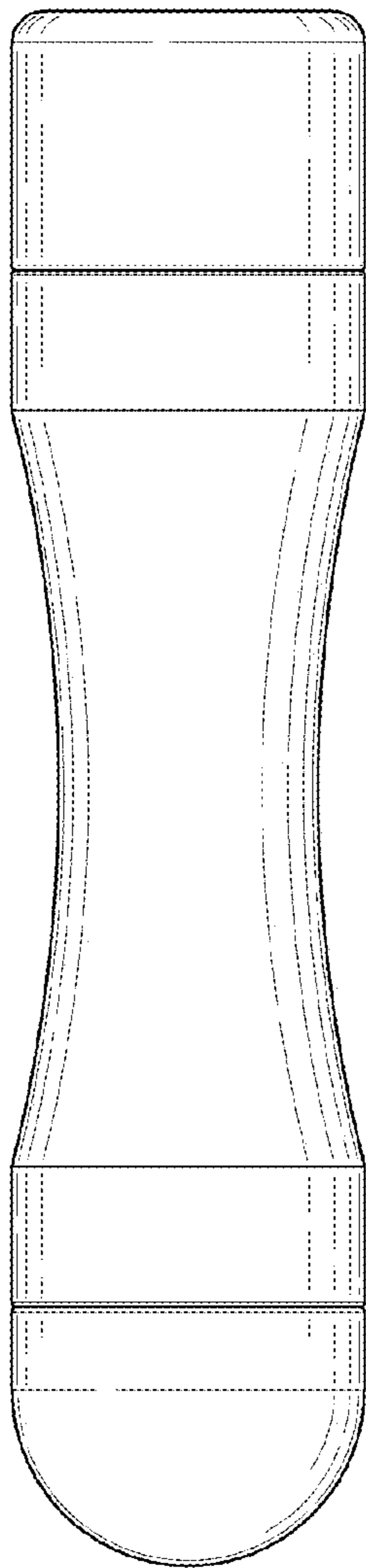


FIG. 6

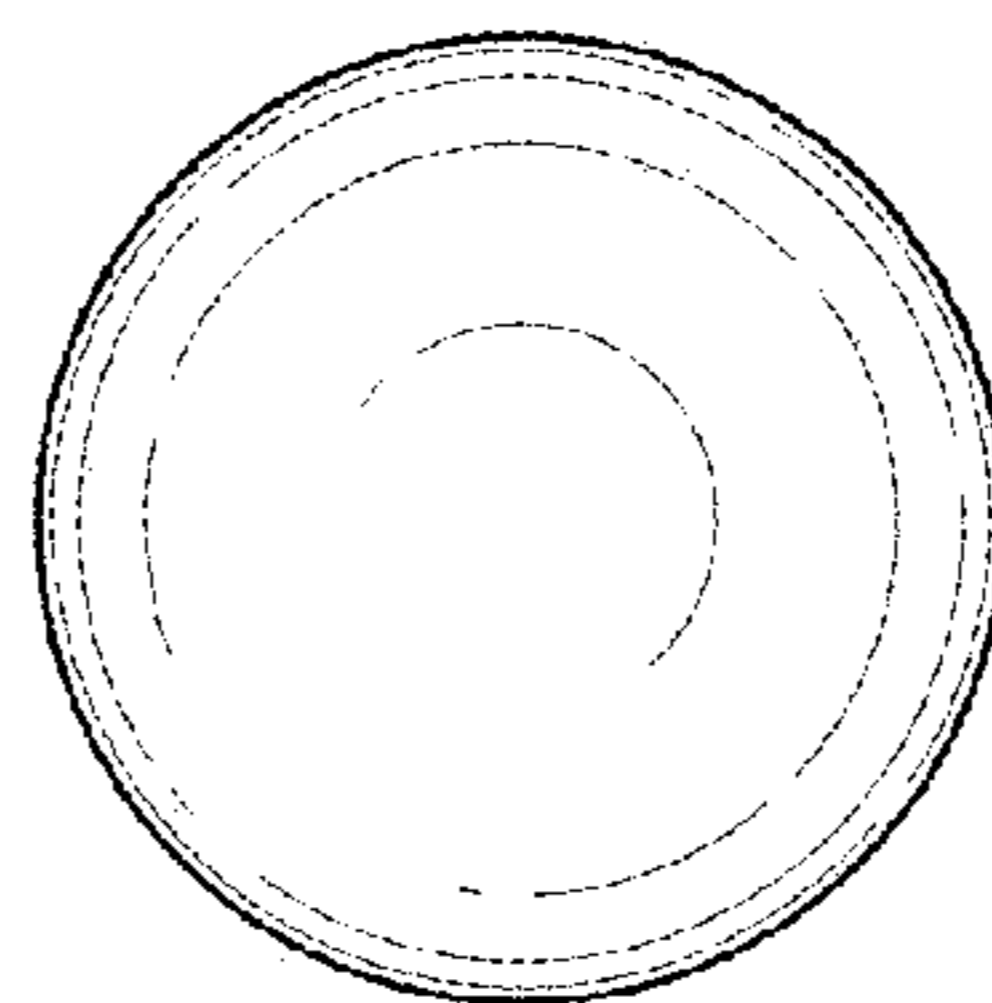


FIG. 7

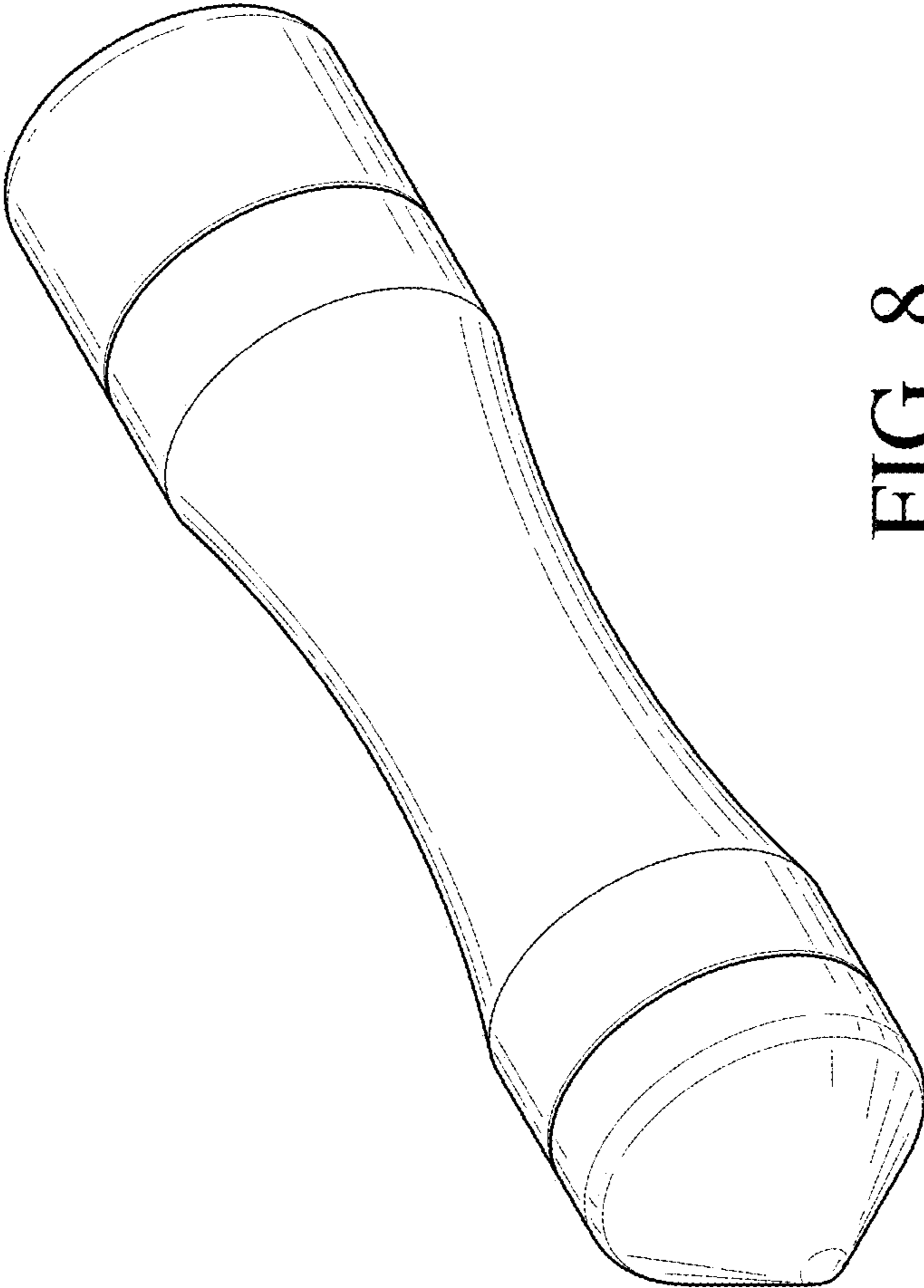


FIG. 8

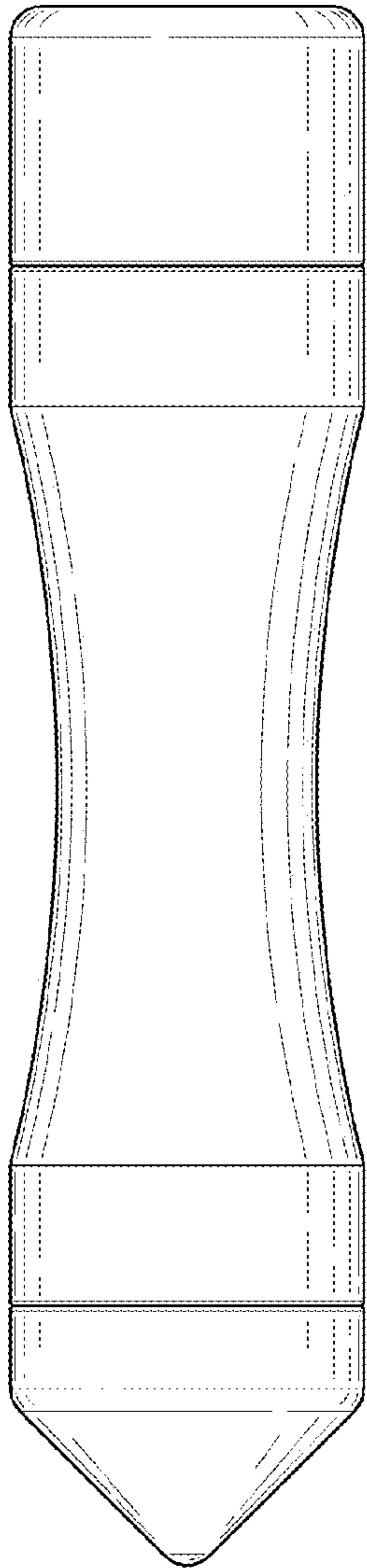


FIG. 9

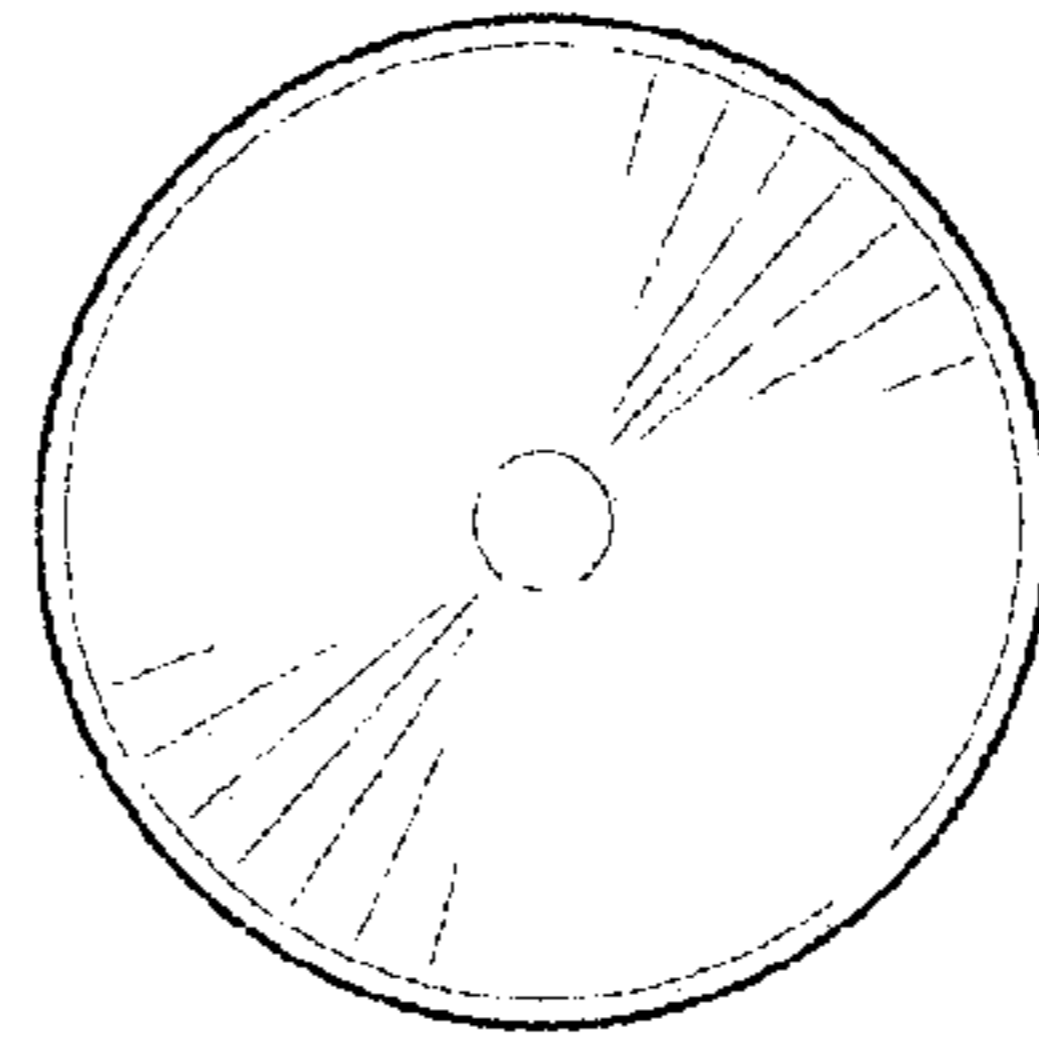


FIG. 10

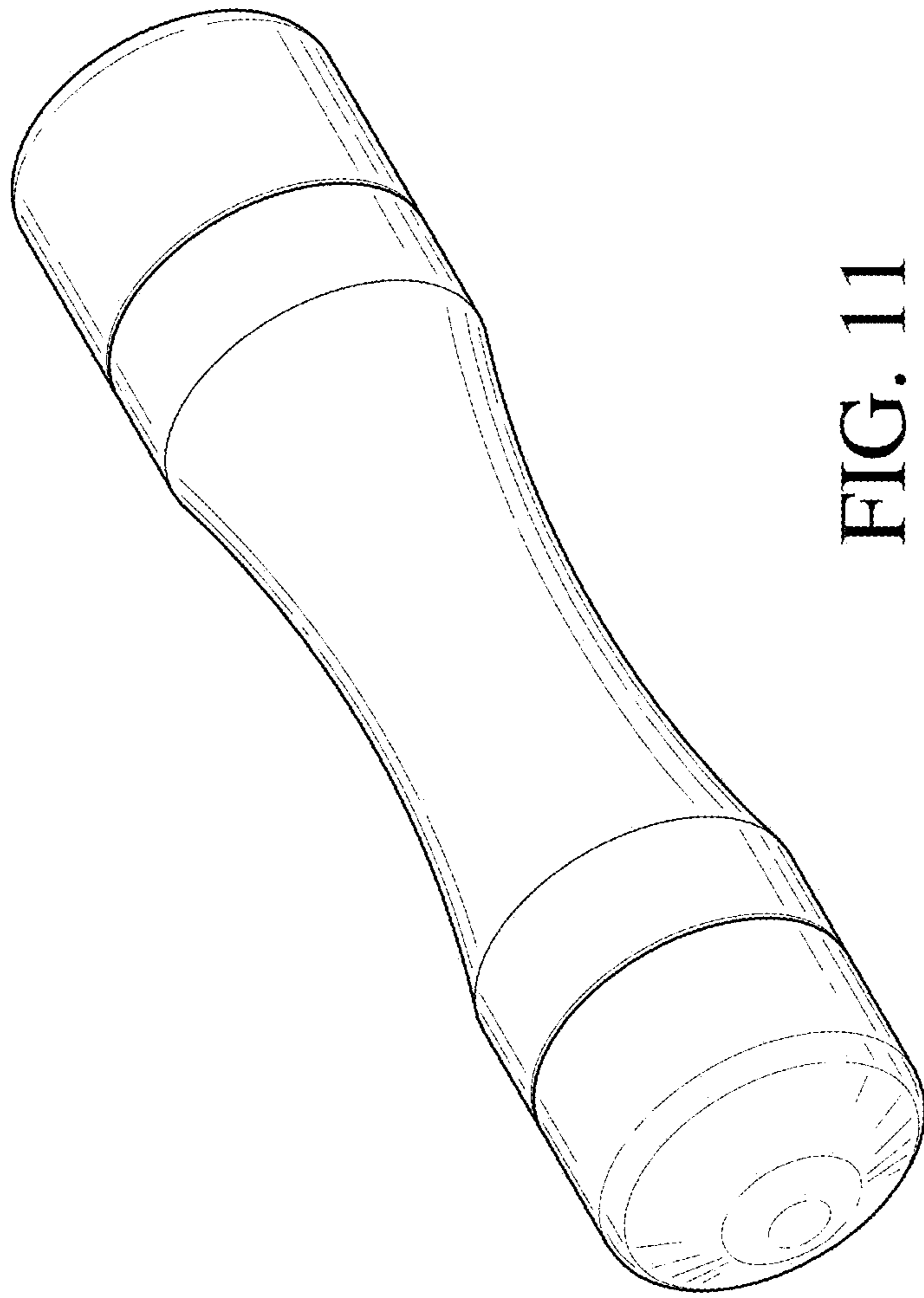


FIG. 11

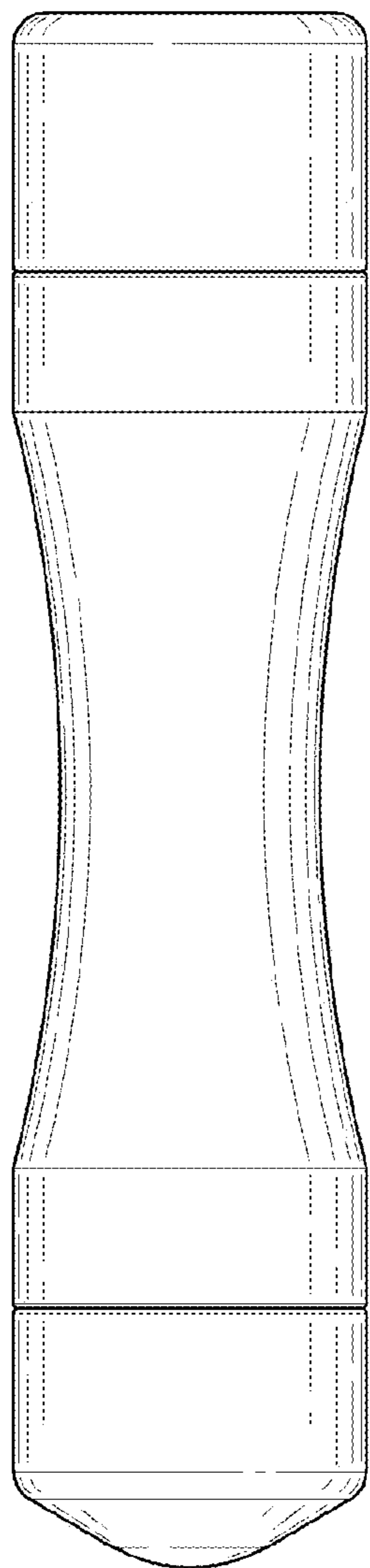


FIG. 12

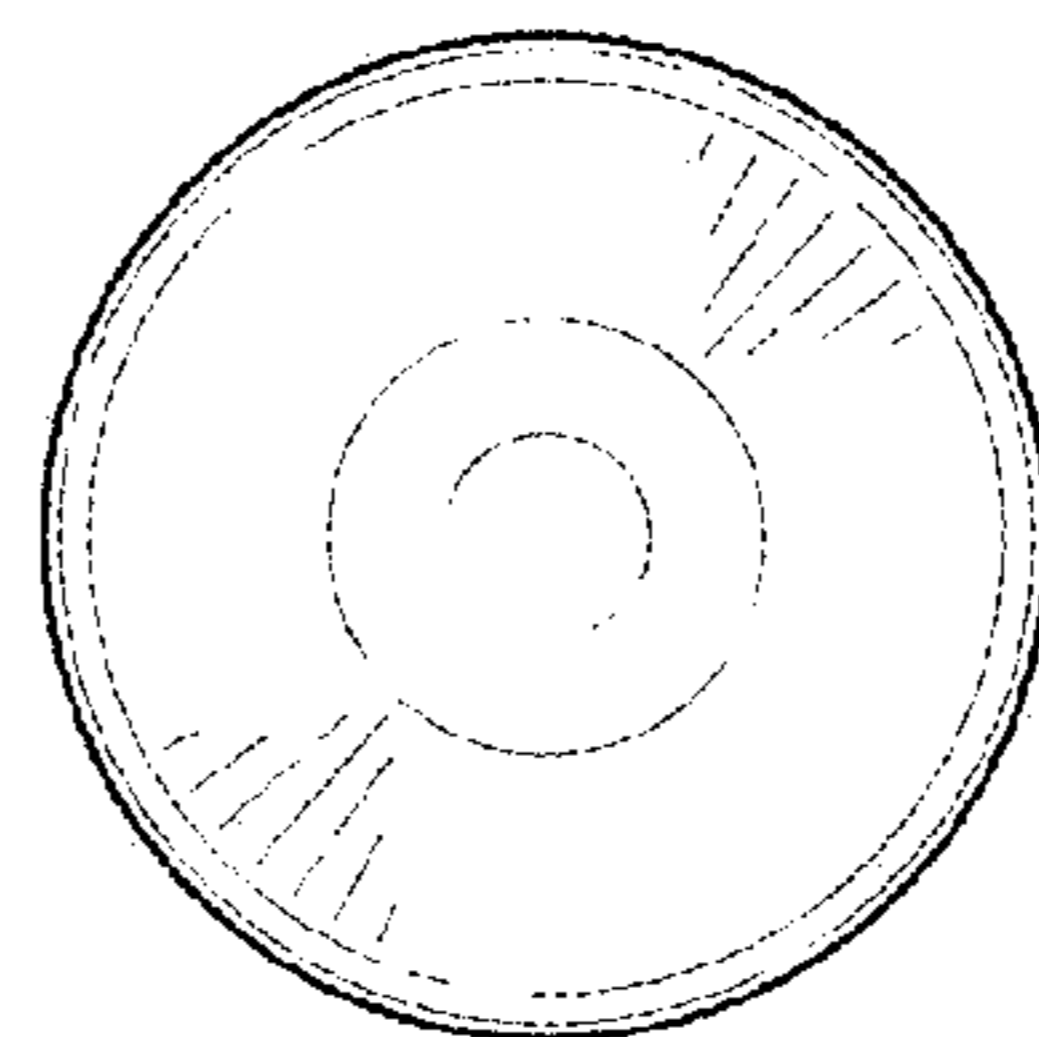


FIG. 13