



US00D708753S

(12) **United States Design Patent**
Wright

(10) **Patent No.:** **US D708,753 S**
(45) **Date of Patent:** **** Jul. 8, 2014**

- (54) **SPA COVER**
- (71) Applicant: **LMI Roto, LLC**, Lake Mary, FL (US)
- (72) Inventor: **David A. Wright**, Lakeland, FL (US)
- (73) Assignee: **LMI IP, LLC**, Winter Park, FL (US)
- (**) Term: **14 Years**
- (21) Appl. No.: **29/445,615**
- (22) Filed: **Feb. 14, 2013**
- (51) **LOC (10) Cl.** **23-02**
- (52) **U.S. Cl.**
USPC **D24/204**
- (58) **Field of Classification Search**
USPC D24/201, 204, 205; D23/277, 278, 276,
D23/280.1–280.3; 601/154–158; 4/498,
4/541.1–541.6, 547, 578.1, 579; D6/610;
D25/2; 150/158, 165
See application file for complete search history.

7,490,368	B2 *	2/2009	Procida	4/498
7,752,685	B2 *	7/2010	Tudor	4/498
7,971,287	B2 *	7/2011	Buzzetti et al.	4/498
7,992,234	B2 *	8/2011	Bates et al.	4/579
D645,567	S *	9/2011	Walker et al.	D24/204
8,516,626	B2 *	8/2013	Gardenier et al.	4/498
8,578,524	B2 *	11/2013	Koren	4/498

* cited by examiner

Primary Examiner — David Muller
(74) *Attorney, Agent, or Firm* — Larson & Larson, P.A.;
Frank Liebenow; Justin P. Miller

(57) **CLAIM**
I claim the ornamental design for a spa cover, as shown and described.

DESCRIPTION

FIG. 1 is a front elevation view of the spa cover showing my new design;
FIG. 2 is a rear elevation view thereof;
FIG. 3 is a left side view thereof;
FIG. 4 is a right side view thereof.
FIG. 5 is a top view thereof;
FIG. 6 is a bottom view thereof;
FIG. 7 is a perspective view thereof in a partially folded configuration; and,
FIG. 8 is a front cross-sectional view thereof taken along line 8-8 in FIG. 5, with part of the edge enlarged for clarity.
The broken lines depicting an exemplary spa in FIGS. 7 and 8 depict environmental subject matter only and form no part of the claimed design.

1 Claim, 5 Drawing Sheets

- (56) **References Cited**
U.S. PATENT DOCUMENTS
D260,930 S * 9/1981 Watkins D24/205
5,996,137 A * 12/1999 Genova 4/498
6,000,072 A * 12/1999 LaHay 4/498
6,859,952 B2 * 3/2005 Perry 4/498
7,290,297 B2 * 11/2007 Cunerty 4/498
7,353,548 B2 * 4/2008 Bartosik 4/541.1

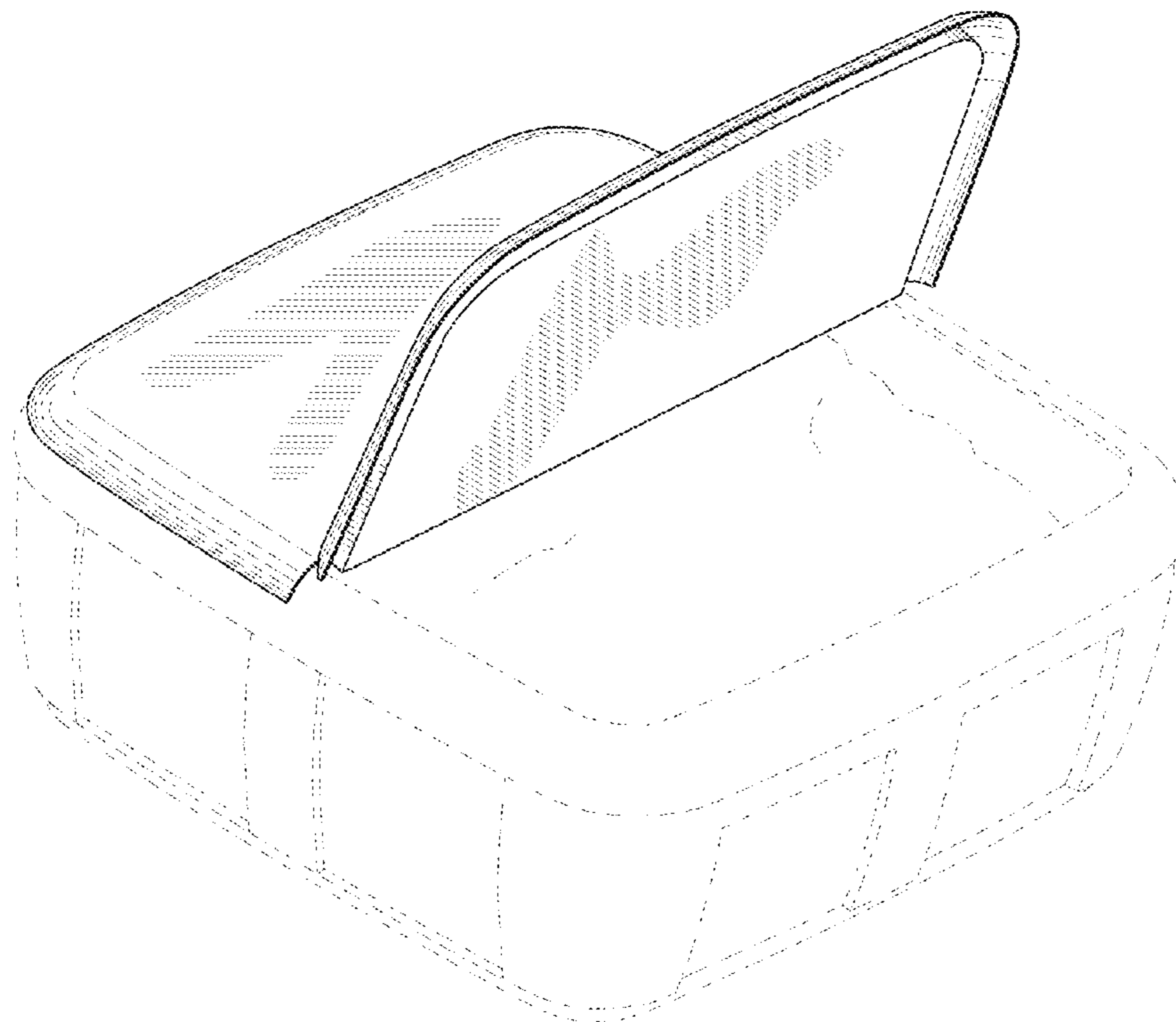


FIG. 1

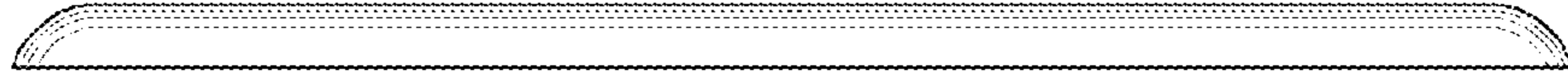


FIG. 2

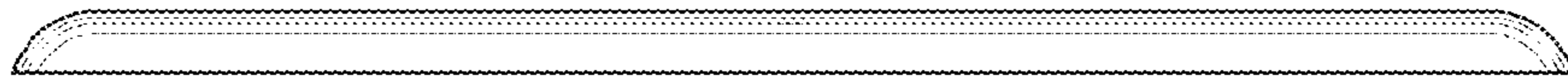


FIG. 3

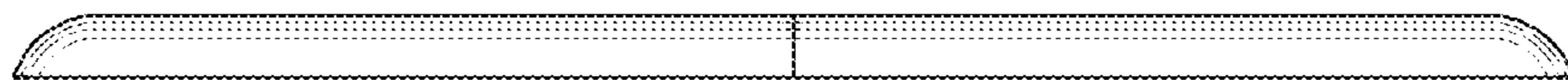


FIG. 4

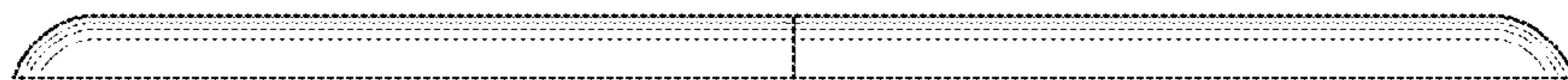


FIG. 5

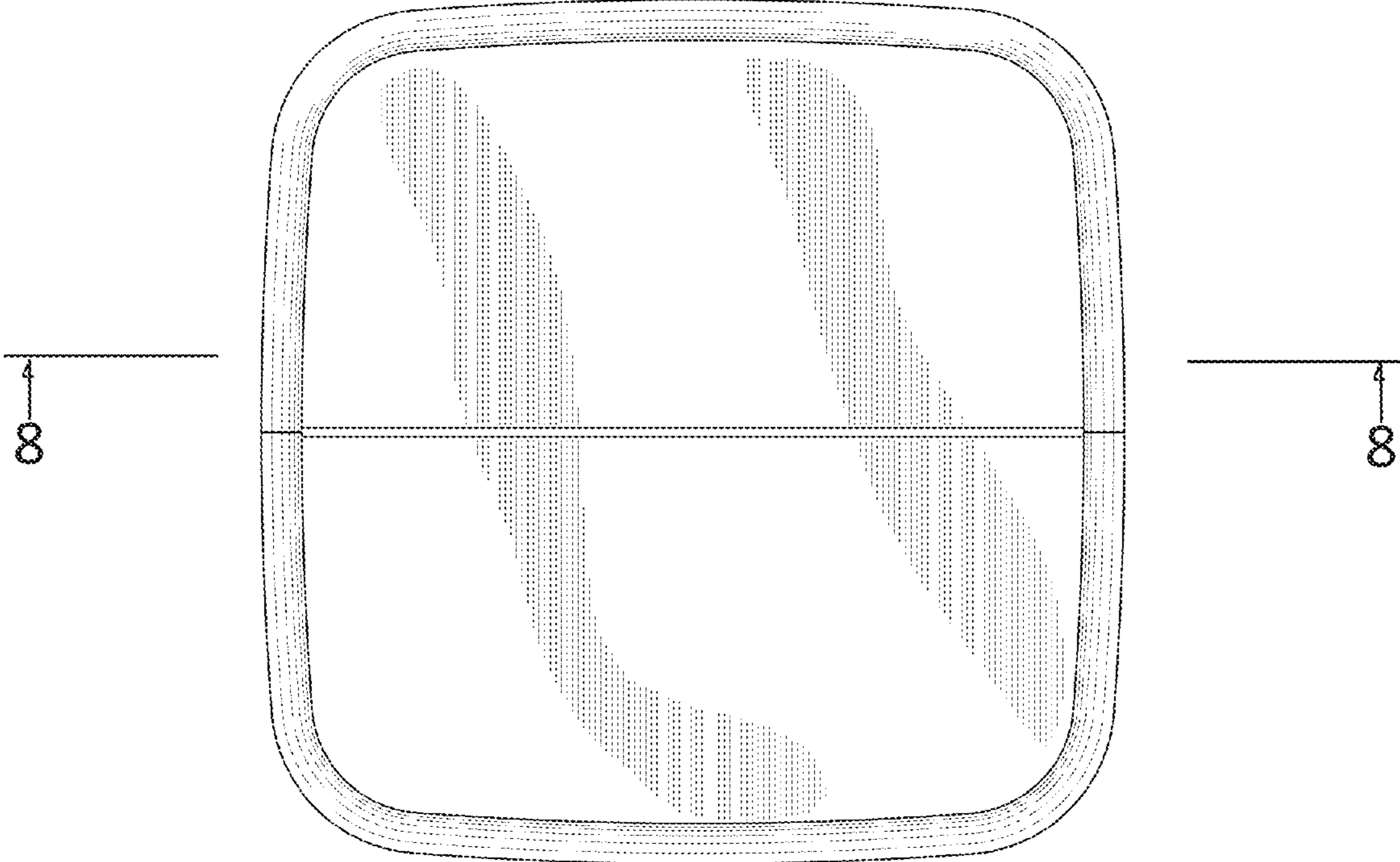


FIG. 6

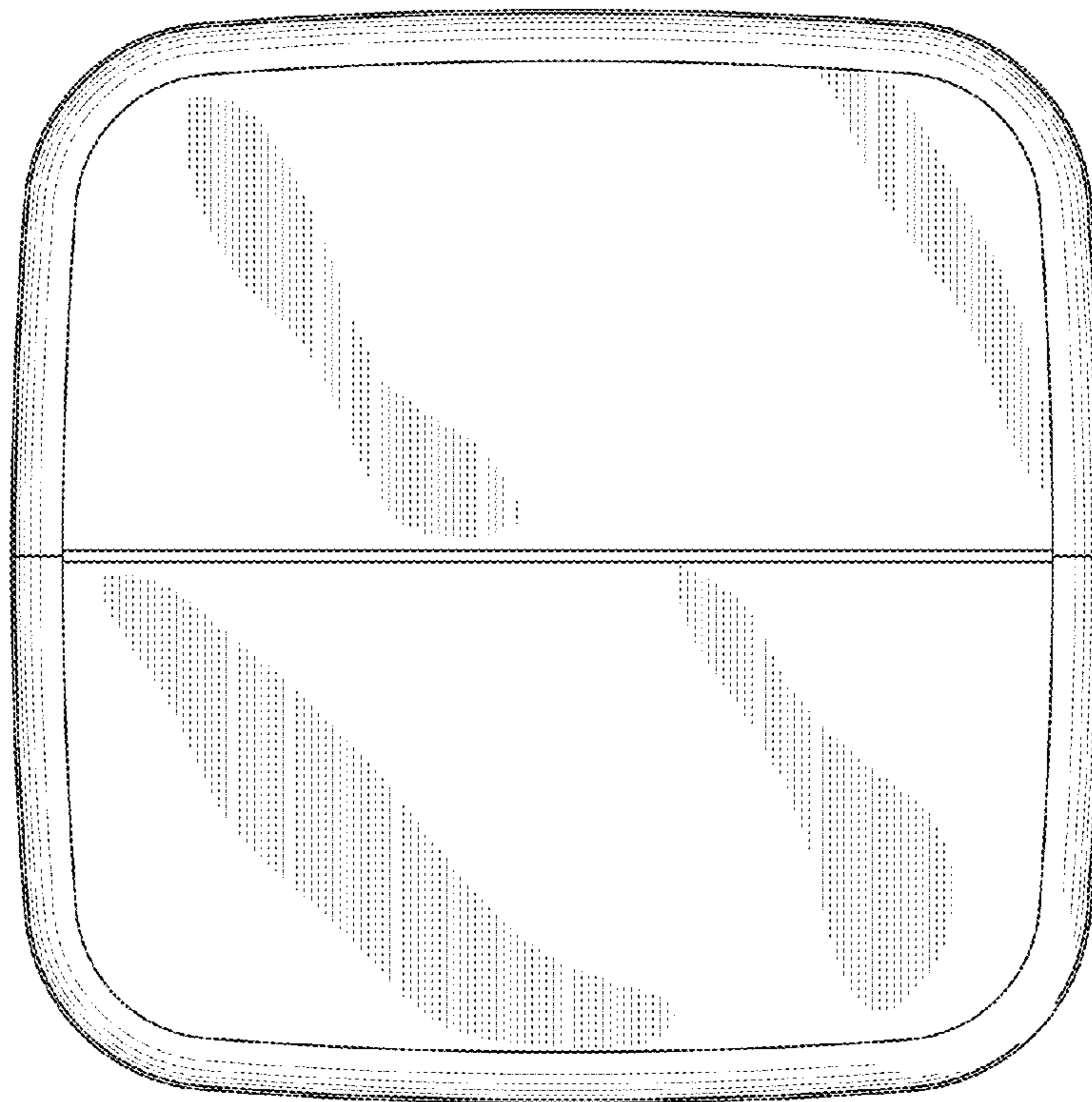
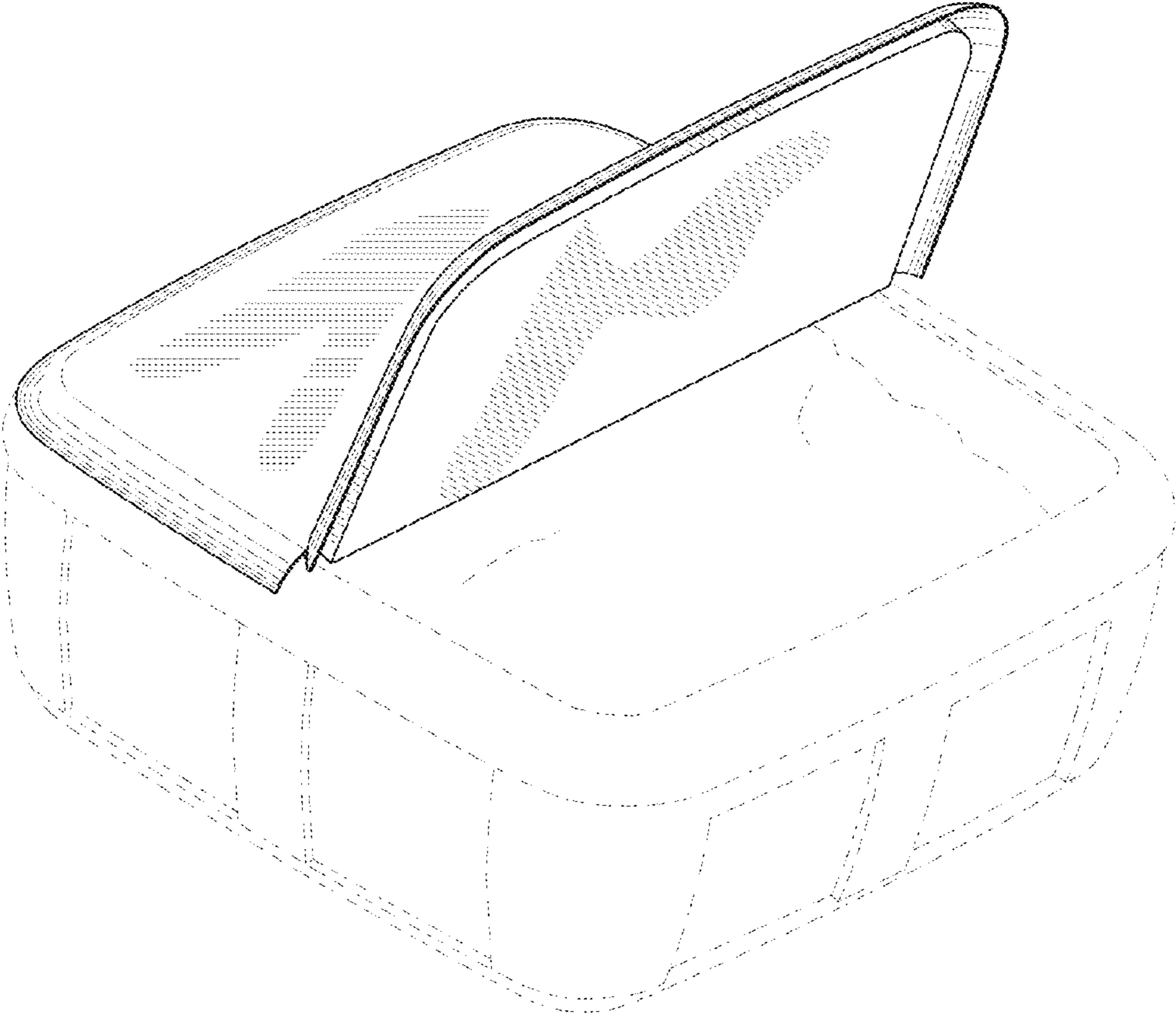


FIG. 7



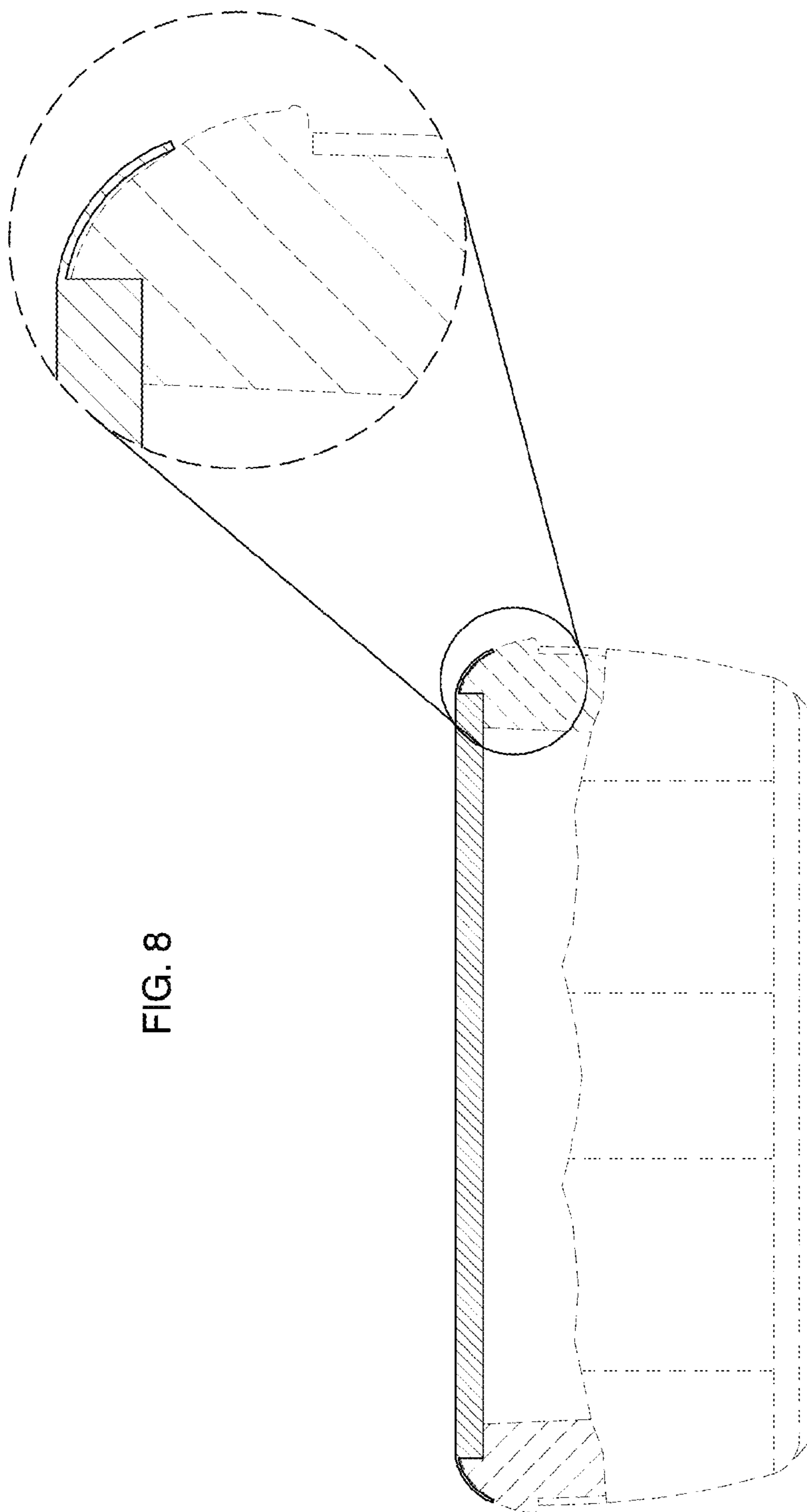


FIG. 8