



US00D708752S

(12) **United States Design Patent**  
**Oberst**

(10) **Patent No.:** **US D708,752 S**  
(45) **Date of Patent:** **\*\* Jul. 8, 2014**

(54) **LIMB SUPPORT DEVICE**  
(75) Inventor: **Dawn Valentina Oberst**, Combine, TX (US)  
(73) Assignee: **Dawn Valentina Oberst**, Combine, TX (US)

(\*\*) Term: **14 Years**

(21) Appl. No.: **29/425,358**

(22) Filed: **Jun. 21, 2012**

(51) **LOC (10) Cl.** ..... **24-01**

(52) **U.S. Cl.**  
USPC ..... **D24/190**

(58) **Field of Classification Search**  
CPC ..... A61G 13/12; A61G 13/1245; A61G 13/1235; A61G 7/0755; A61G 13/125; A61G 13/0036; A61G 7/075; A61G 2005/127; A61G 2005/128; A61G 5/12  
USPC ..... D24/183, 184, 186, 190; D6/349, 601; 602/4-6, 20, 23, 24, 60-62; 128/891, 128/892; 5/632, 633, 636, 646, 647, 648, 5/654

See application file for complete search history.

(56) **References Cited**

**U.S. PATENT DOCUMENTS**

1,349,072	A *	8/1920	Lines	5/645
2,351,849	A *	6/1944	Wells et al.	4/520
2,531,724	A *	11/1950	Cevasco	4/572.1
D222,349	S *	10/1971	Sorensen	D6/502
3,931,654	A	1/1976	Spann	
3,946,451	A	3/1976	Spann	
3,995,846	A	12/1976	Frick	
4,270,235	A	6/1981	Gutmann	
D277,316	S *	1/1985	Meares	D24/190
4,579,324	A	4/1986	McConnell	
D327,198	S *	6/1992	Erker et al.	D6/601
D336,134	S *	6/1993	Kalatsky	D24/190

D345,797	S *	4/1994	Gardner	D24/183
D347,476	S *	5/1994	McDonald	D24/190
D359,804	S *	6/1995	Carter	D24/183
5,431,618	A *	7/1995	Levi	482/142
5,477,866	A	12/1995	Davenport	
D413,981	S *	9/1999	Swedberg et al.	D24/190
6,026,812	A	2/2000	Lpson et al.	
6,032,669	A	3/2000	Klein	
6,085,371	A	7/2000	Umhofer	
D451,568	S *	12/2001	Gordon	D21/802
6,490,742	B2	12/2002	Hall et al.	

(Continued)

*Primary Examiner* — Eric Goodman

*Assistant Examiner* — Jennifer Watkins

(74) *Attorney, Agent, or Firm* — Edwin S. Flores; Chainey P. Singleton; Chalker Flores, LLP

(57) **CLAIM**

The ornamental design for a limb support device, as shown and described.

**DESCRIPTION**

FIG. 1 is a top perspective view of the limb support device present invention.

FIG. 2 is a front view thereof.

FIG. 3 is a rear view thereof.

FIG. 4 is a right view thereof.

FIG. 5 is a left view thereof.

FIG. 6 is a top view thereof.

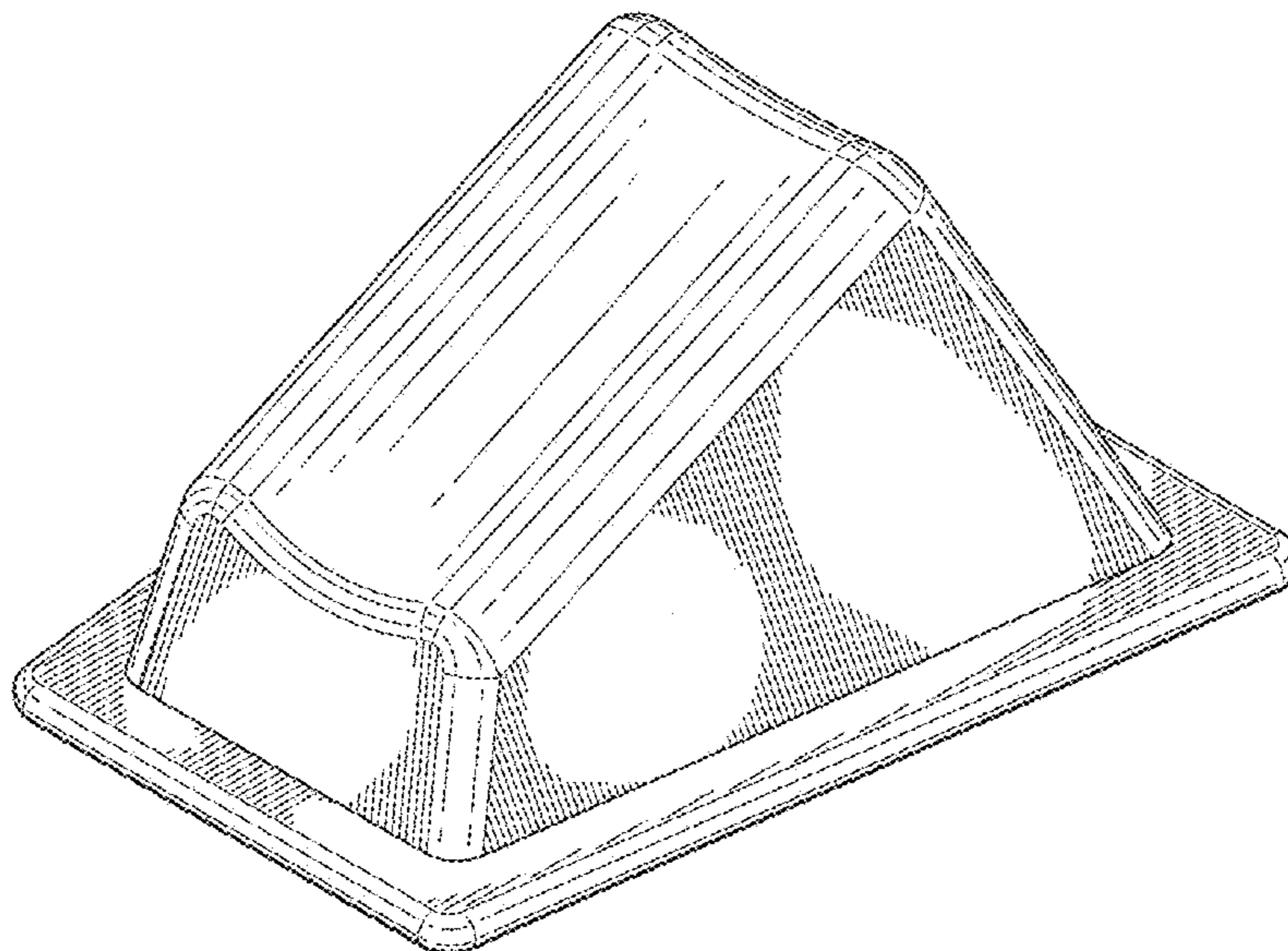
FIG. 7 is a bottom view thereof; and,

FIG. 8 is a bottom perspective view of the present invention.

The shading is intended to represent that the design is constructed of a rigid material. The grip-like portion in the bottom and bottom and perspective views are intended to show a handle.

The nature and intended use of the article in which the design is embodied is a limb support device used to support a patient's limb while providing treatment to the patient.

**1 Claim, 6 Drawing Sheets**



(56)

**References Cited**

U.S. PATENT DOCUMENTS

6,572,573	B1	6/2003	Klein		
6,920,657	B2	7/2005	Murray		
D521,301	S	5/2006	Dickson		
7,118,544	B2	10/2006	Murray		
7,150,057	B1	12/2006	Santiago et al.		
D539,066	S *	3/2007	Coquillette .....	D6/601	
D599,603	S *	9/2009	Berland et al. ....	D6/601	
D610,852	S *	3/2010	Rothschild et al. ....	D6/601	
7,908,691	B2 *	3/2011	Small .....	5/632	
D642,694	S *	8/2011	Sharps et al. ....	D24/190	
D680,654	S *	4/2013	Borreli .....	D24/188	
2002/0128575	A1	9/2002	Robinson		
2003/0182727	A1 *	10/2003	DuDonis et al. ....	5/648	
2003/0208846	A1 *	11/2003	Guarino .....	5/636	
2004/0215122	A1 *	10/2004	Hansen .....	602/23	
2006/0288486	A1 *	12/2006	Kidwell .....	5/632	
2007/0294829	A1 *	12/2007	Callahan et al. ....	5/636	
2013/0340171	A1 *	12/2013	Oberst .....	5/630	

\* cited by examiner

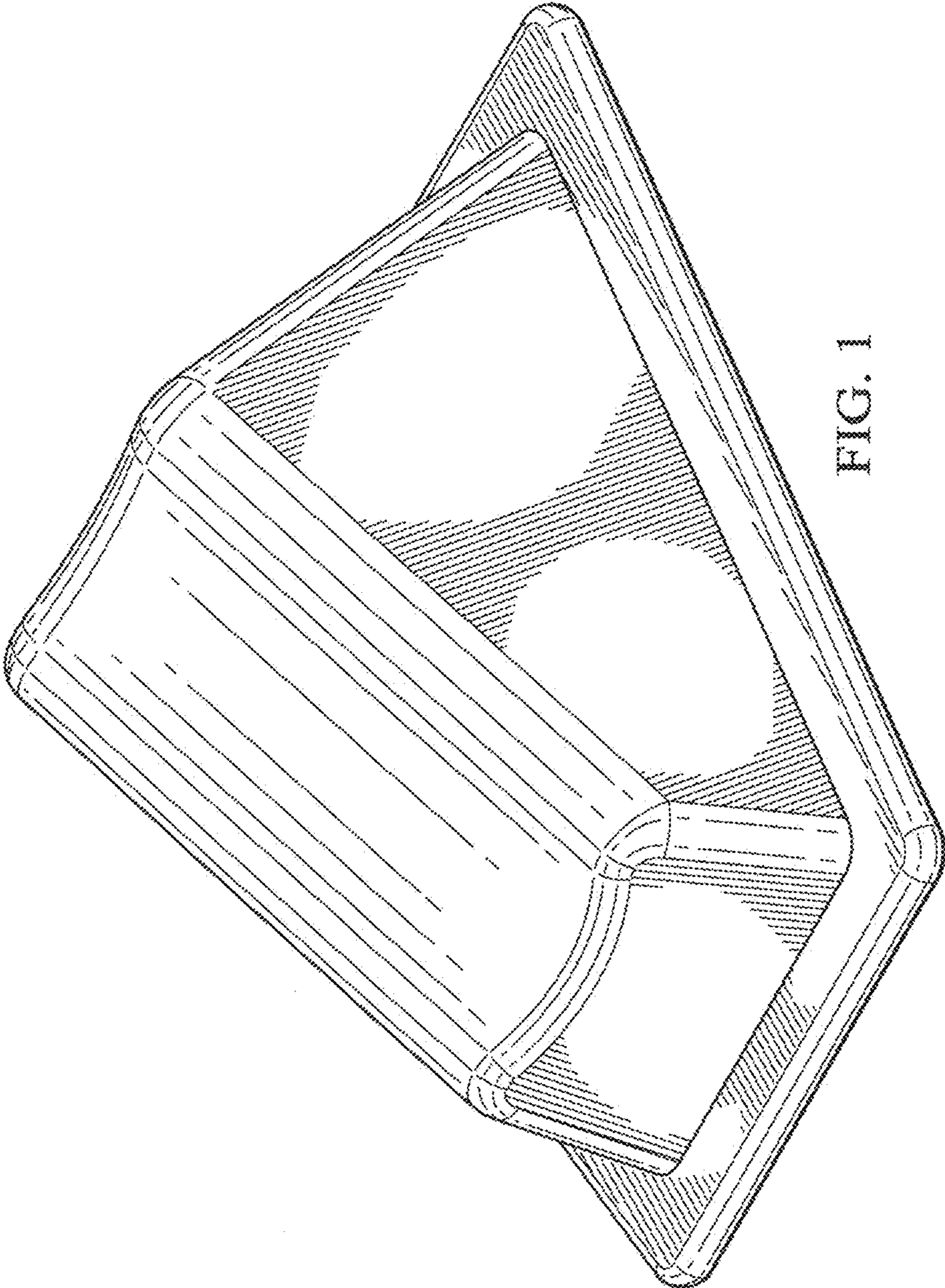


FIG. 1

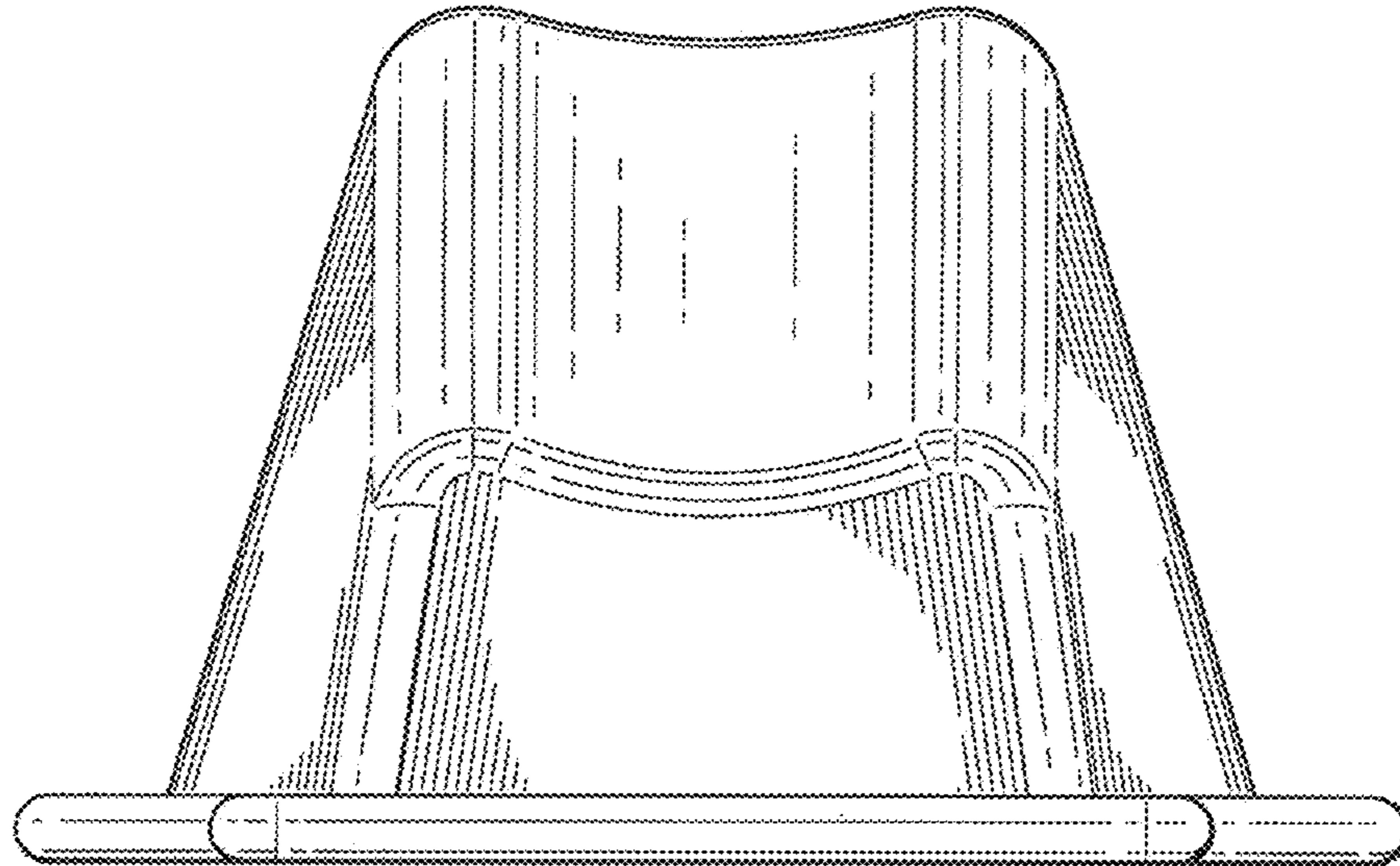


FIG. 2

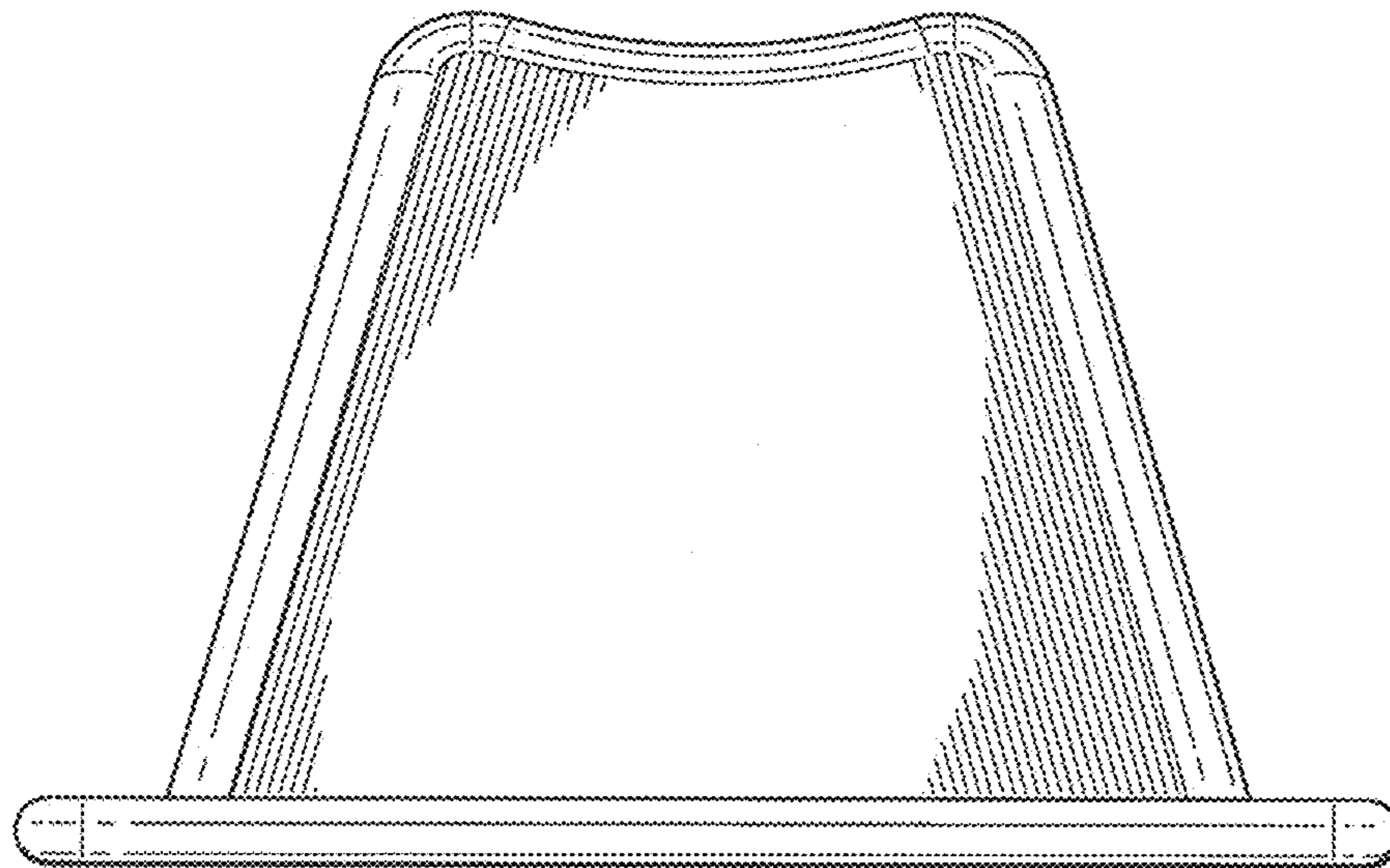


FIG. 3

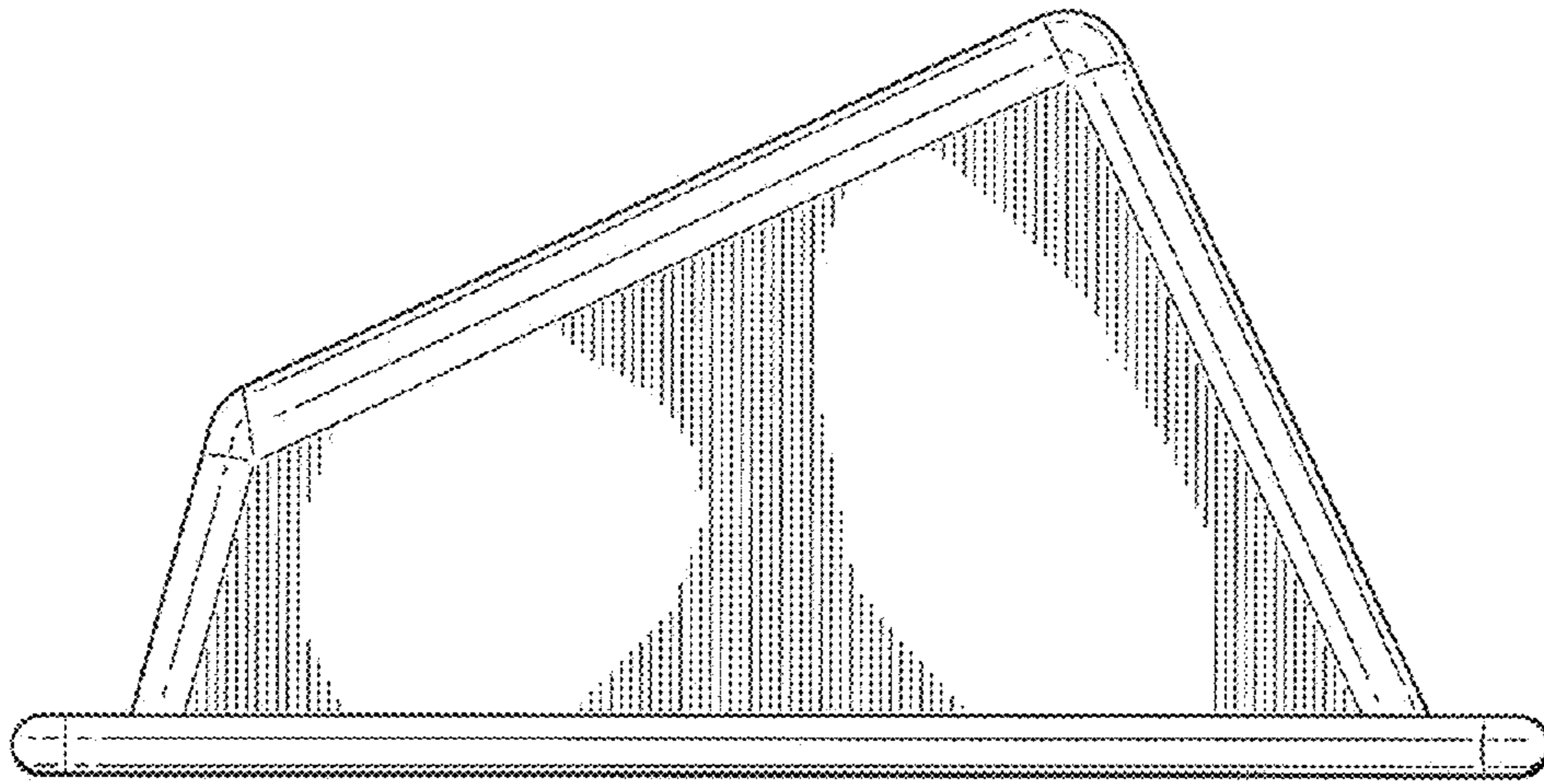


FIG. 4

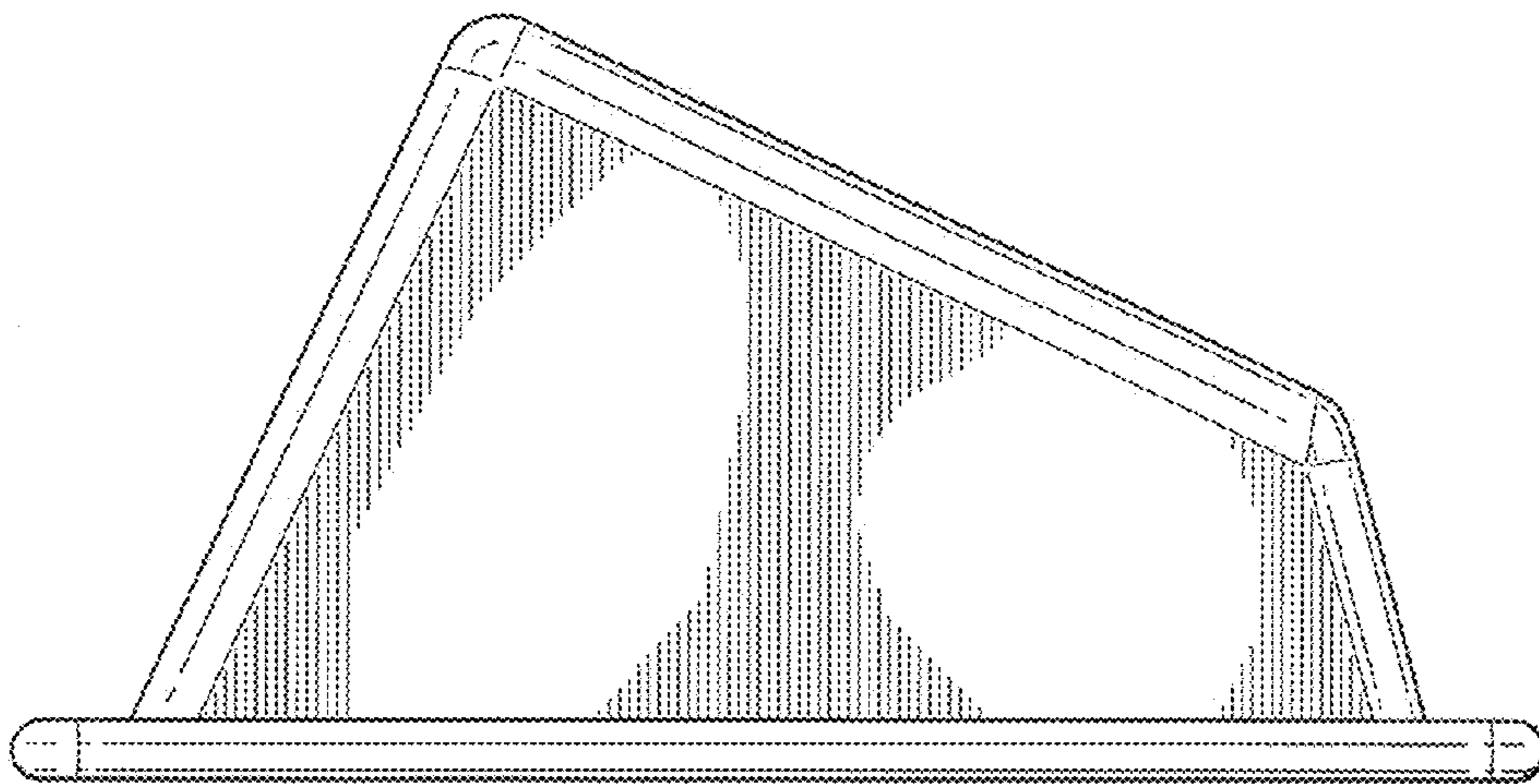


FIG. 5

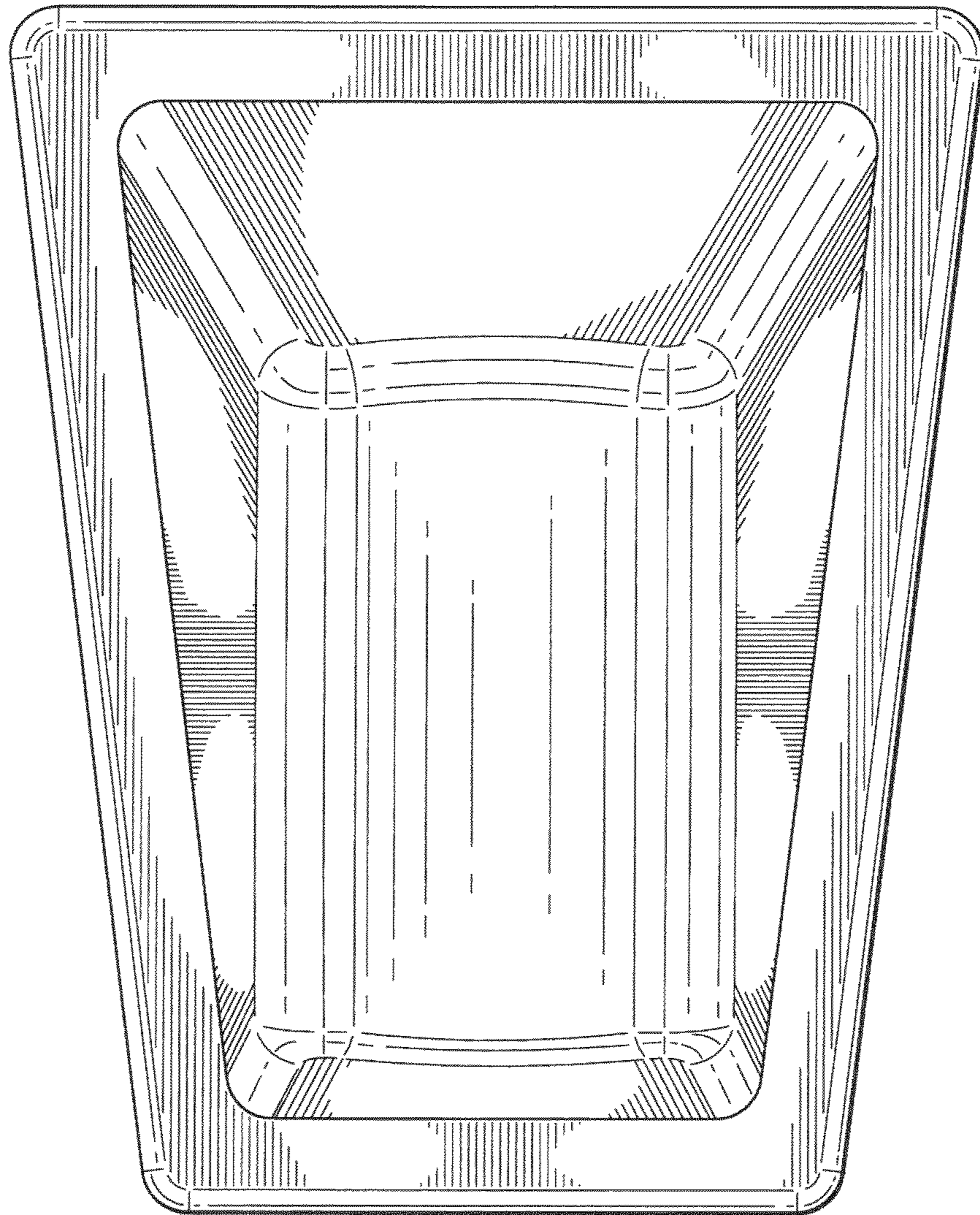


FIG. 6

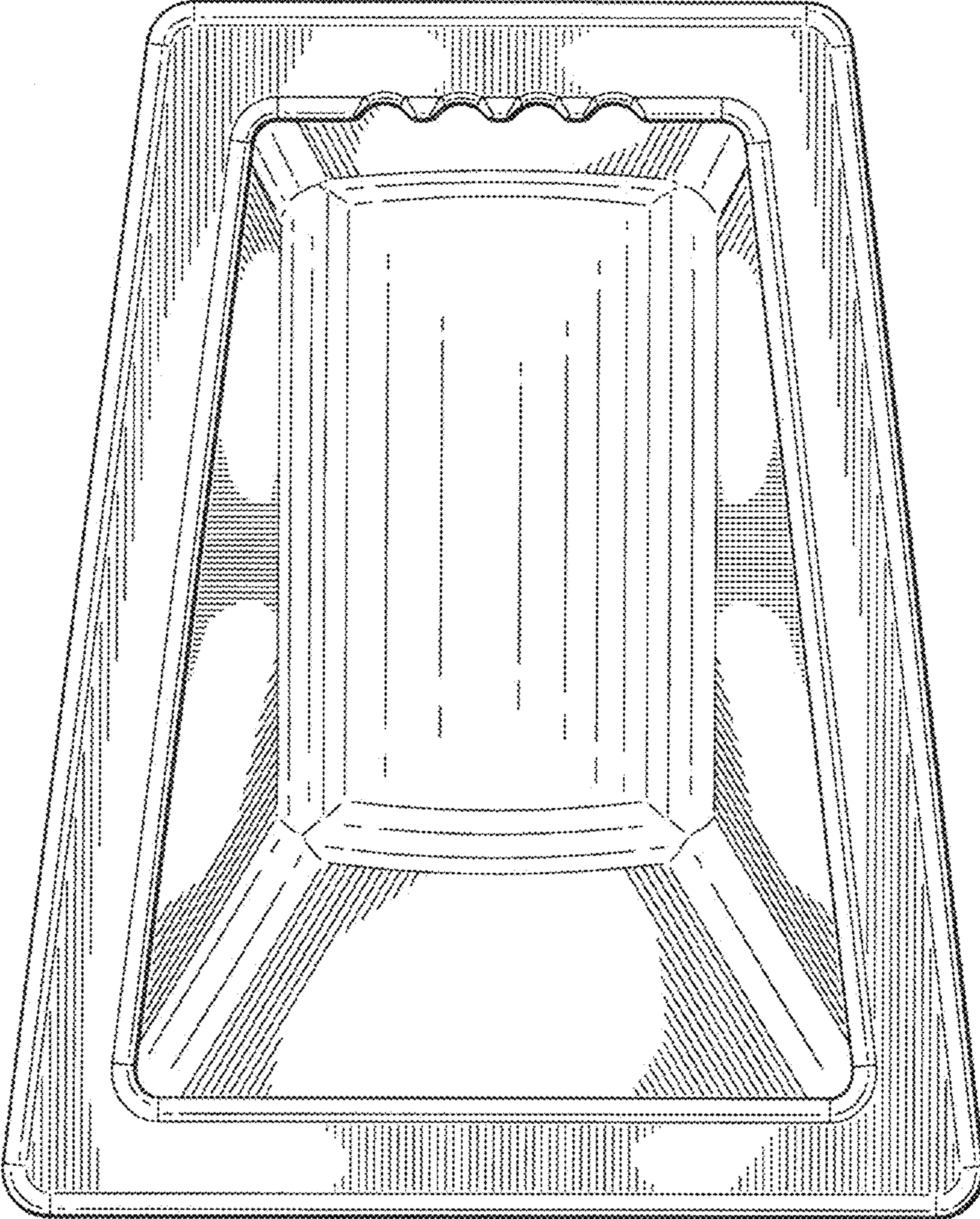


FIG. 7

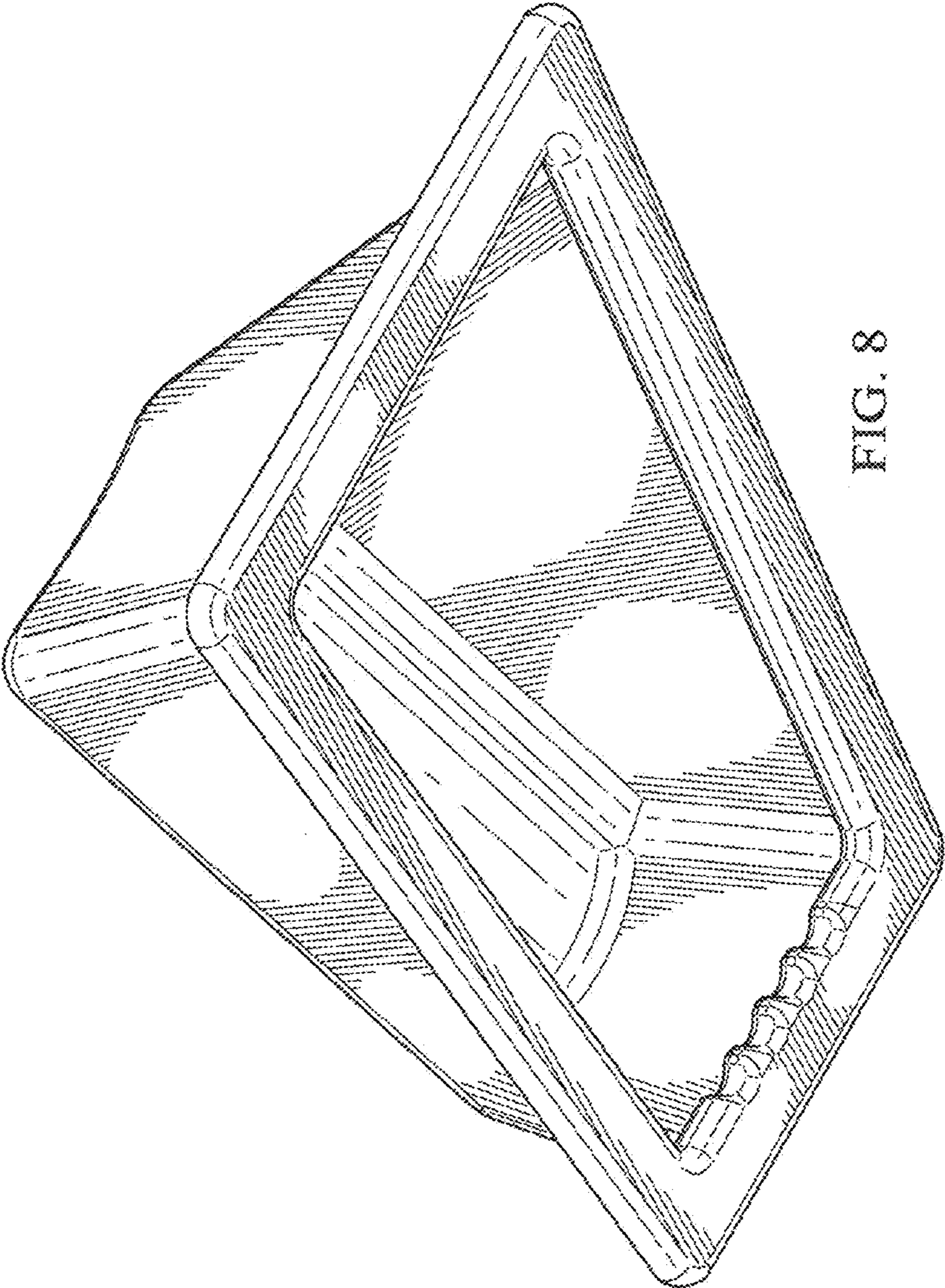


FIG. 8