



US00D708750S

(12) **United States Design Patent**  
**Hirsch**

(10) **Patent No.:** **US D708,750 S**  
(45) **Date of Patent:** **\*\* Jul. 8, 2014**

(54) **DENTAL ASPIRATION DEVICE**

(71) Applicant: **Innerlite, Inc.**, Santa Barbara, CA (US)

(72) Inventor: **James A. Hirsch**, Santa Barbara, CA (US)

(73) Assignee: **Innerlite, Inc.**, Santa Barbara, CA (US)

(\*\*) Term: **14 Years**

(21) Appl. No.: **29/452,217**

(22) Filed: **Apr. 12, 2013**

(51) **LOC (10) Cl.** ..... **24-02**

(52) **U.S. Cl.**  
USPC ..... **D24/176; D24/129**

(58) **Field of Classification Search**  
USPC ..... D24/176-178, 180-181, 112, 127-129;  
D23/228, 241; 601/162; 604/902;  
433/29, 80, 84, 87, 91, 93, 95-96, 116  
See application file for complete search history.

(56) **References Cited**

**U.S. PATENT DOCUMENTS**

3,090,122	A *	5/1963	Erickson	433/93
3,924,333	A *	12/1975	Erickson	433/93
4,192,071	A *	3/1980	Erickson	433/93
4,802,851	A *	2/1989	Rhoades	433/93
5,470,305	A *	11/1995	Arnett et al.	433/80
7,287,981	B2 *	10/2007	Hirsch	433/29
8,292,620	B2 *	10/2012	Black et al.	433/93

**OTHER PUBLICATIONS**

New Dental Product: Isovac Dental Isolation Adapter from Isolite Systems. [Retrieved on Mar. 12, 2014]. Retrieved from the Internet: <URL: http://www.dentalcompare.com/News/149416-New-Dental-Product-Isovac-Dental-Isolation-Adapter-from-Isol . . . >.\*

\* cited by examiner

*Primary Examiner* — Wan Laymon

(74) *Attorney, Agent, or Firm* — Stephen C. Beuerle; Procopio Cory Hargreaves & Savitch LLP

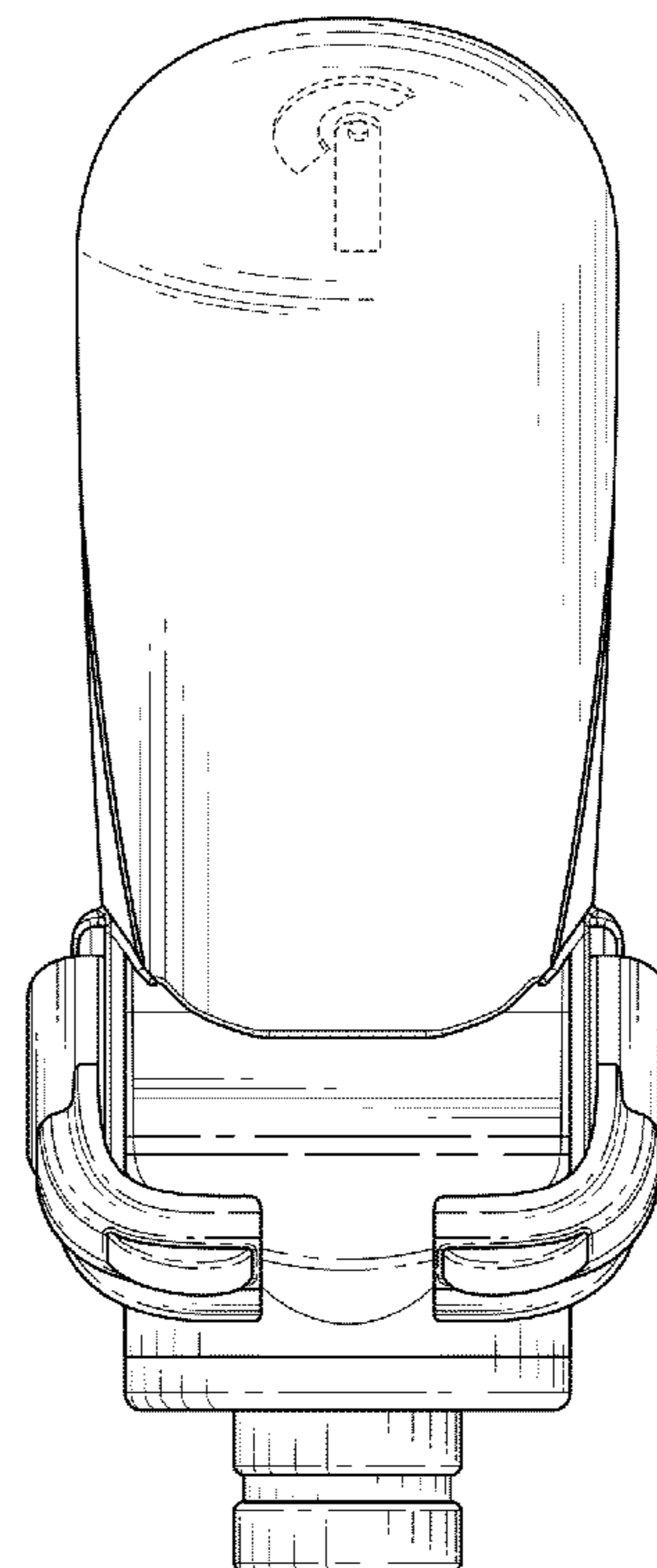
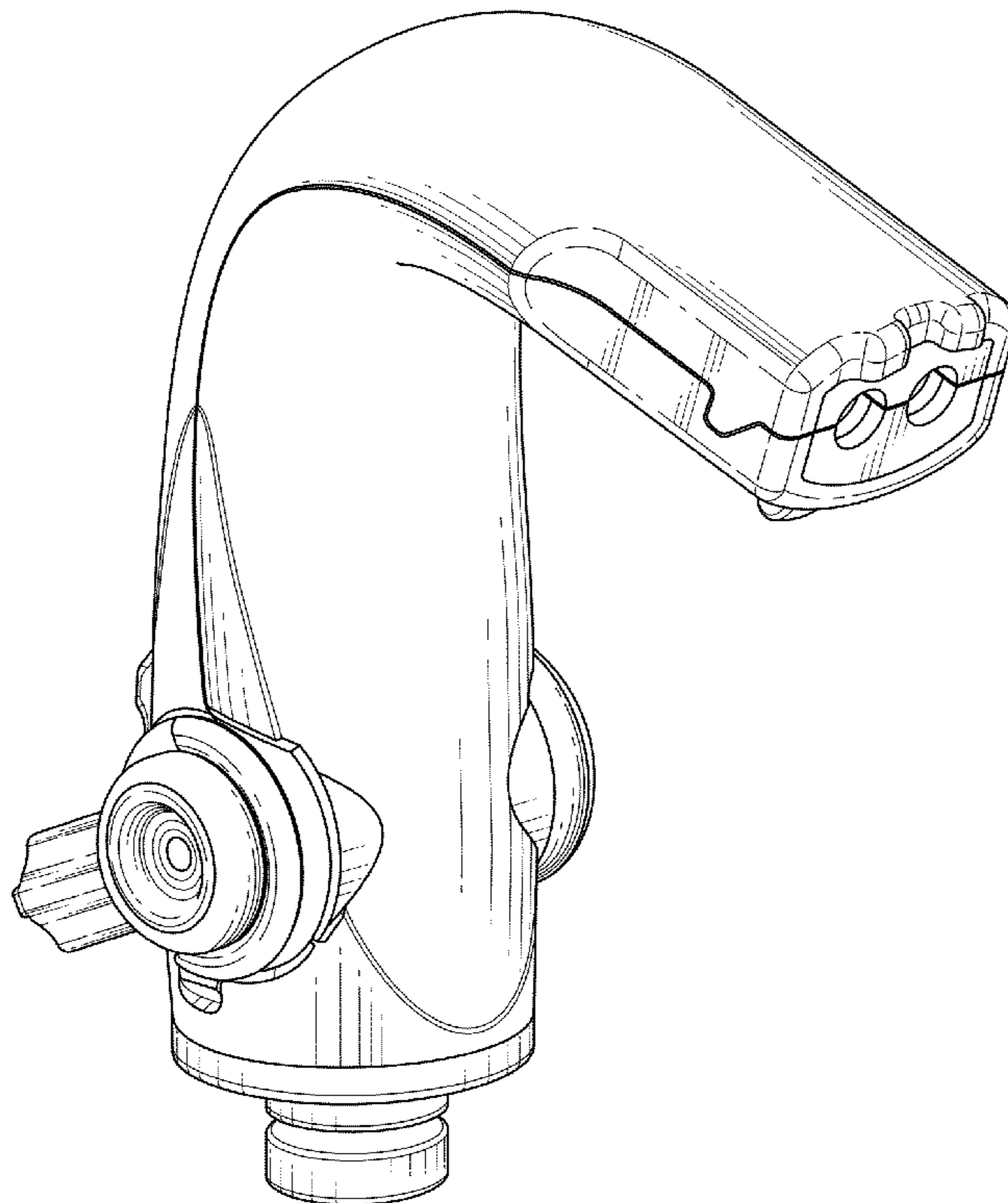
(57) **CLAIM**

The ornamental design for a dental aspiration device, as shown and described.

**DESCRIPTION**

FIG. 1 is a perspective view of a dental aspiration device; FIG. 2 is a front view of the dental aspiration device; FIG. 3 is a back view of the dental aspiration device; FIG. 4 is a right elevational view of the dental aspiration device; FIG. 5 is a left elevational view of the dental aspiration device; FIG. 6 is a top plan view of the dental aspiration device; and, FIG. 7 is a bottom plan view of the dental aspiration device. The broken lines shown in the figures represent portions of the dental aspiration device that form no part of the claimed design.

**1 Claim, 6 Drawing Sheets**



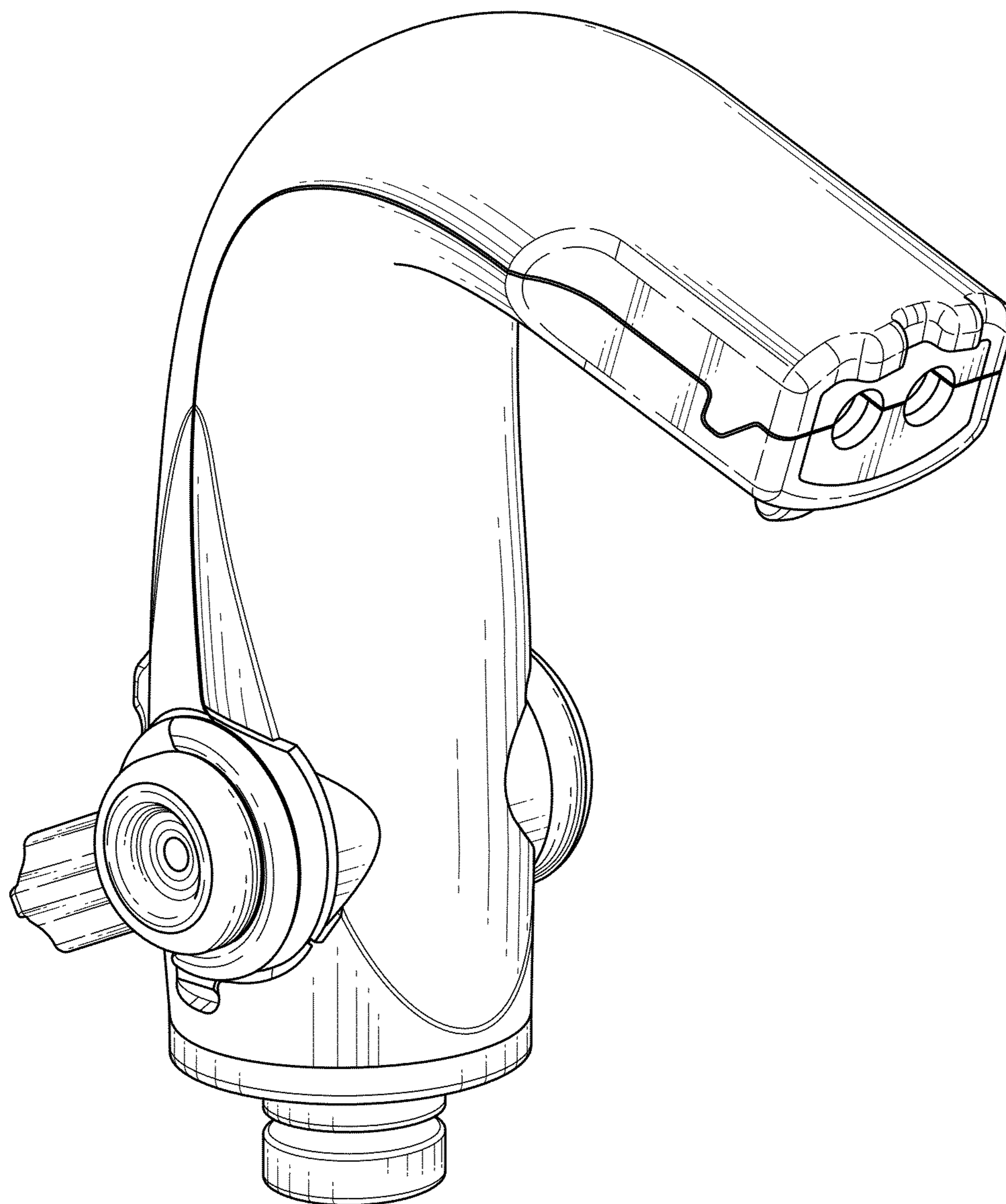


FIG. 1

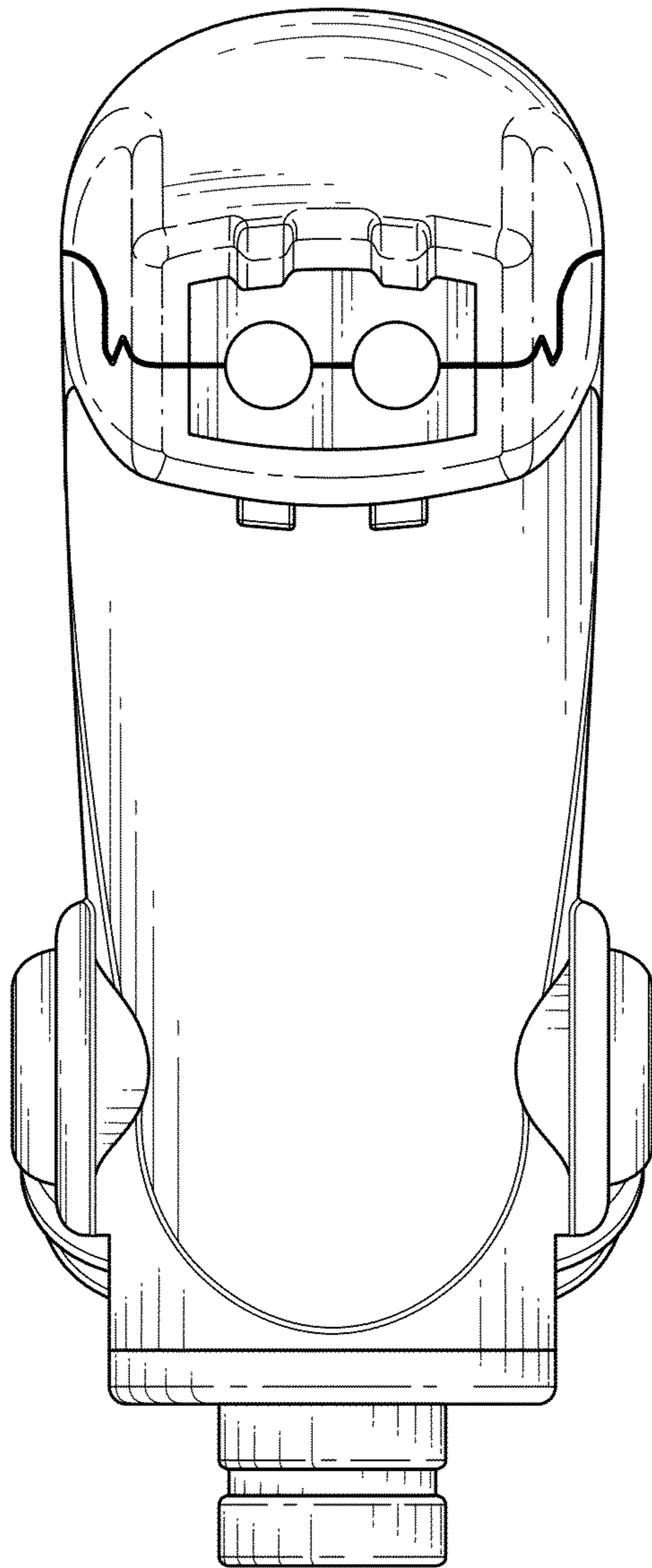


FIG. 2

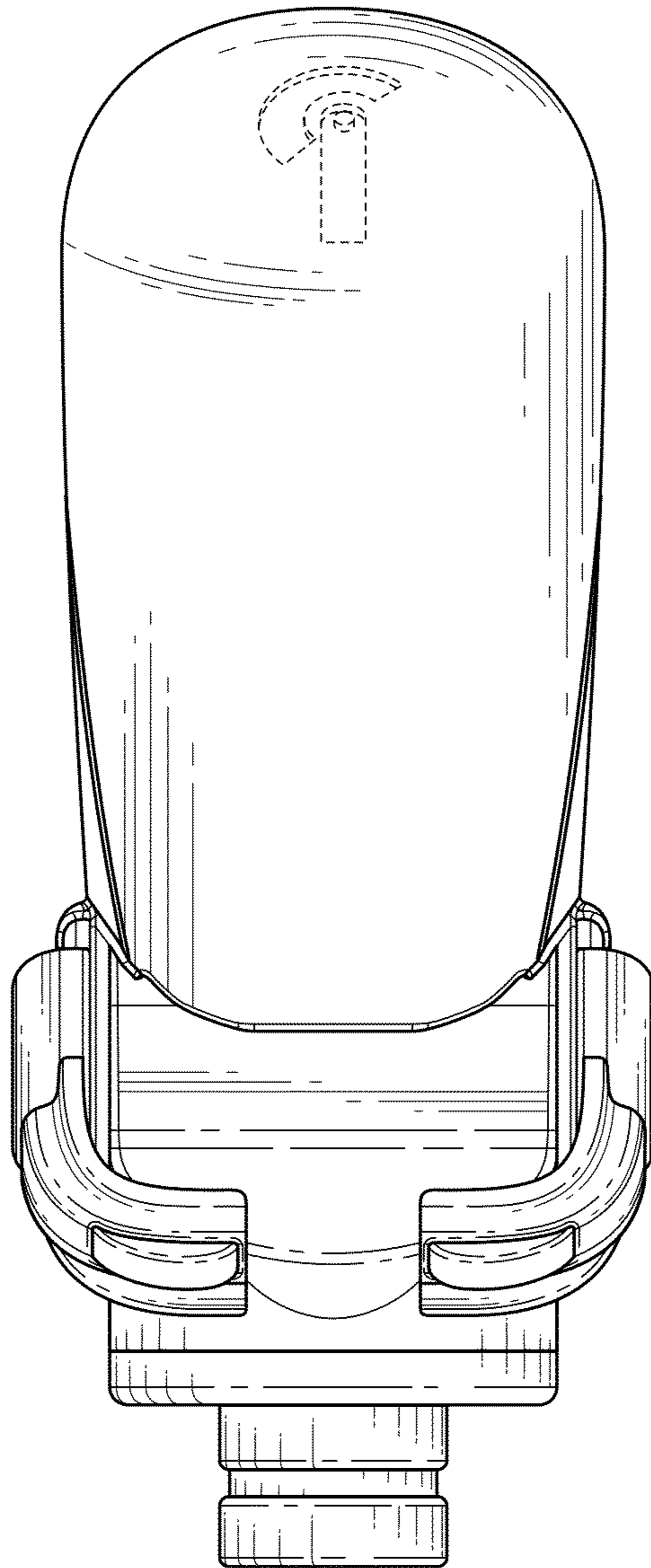


FIG. 3

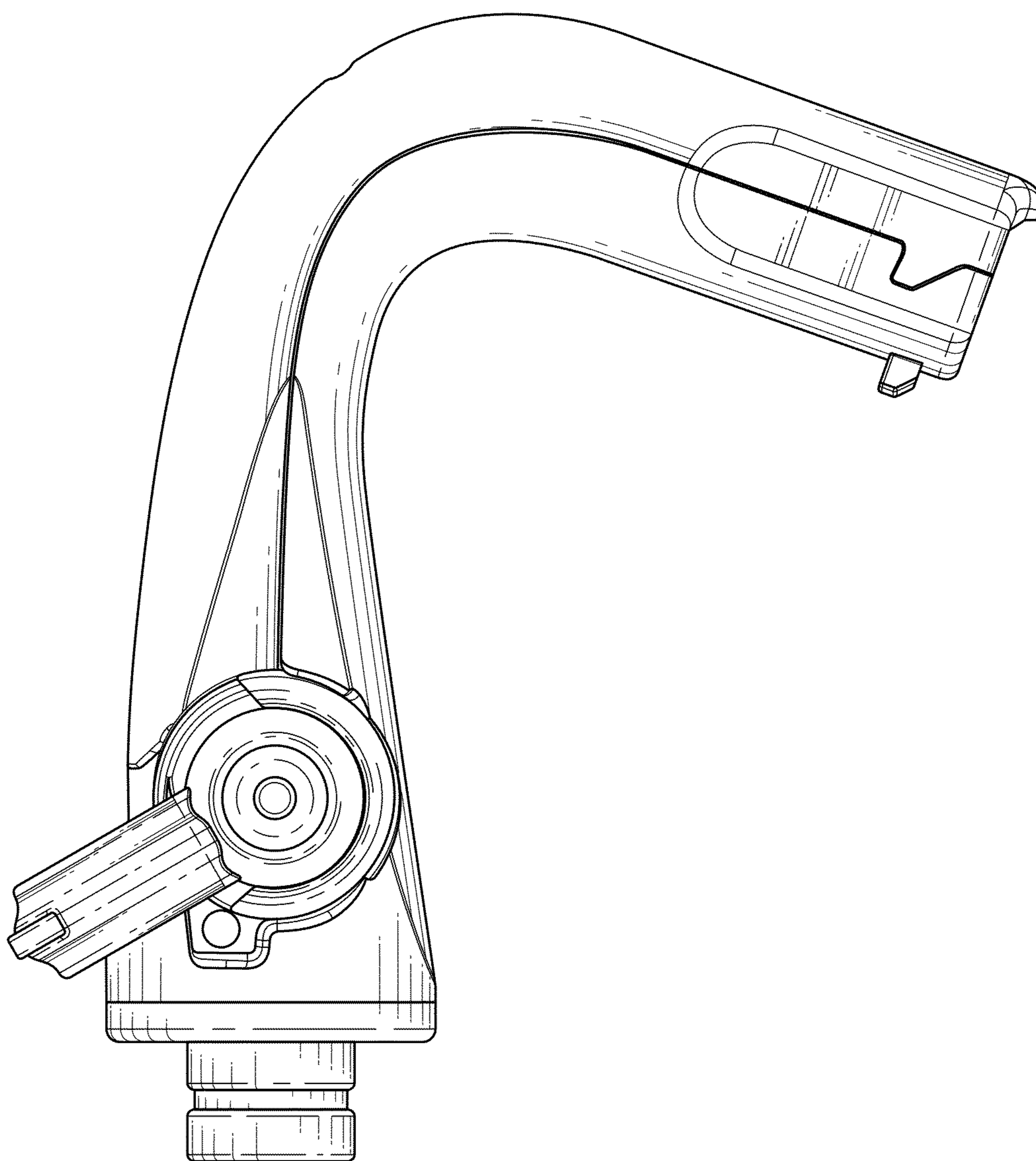


FIG. 4

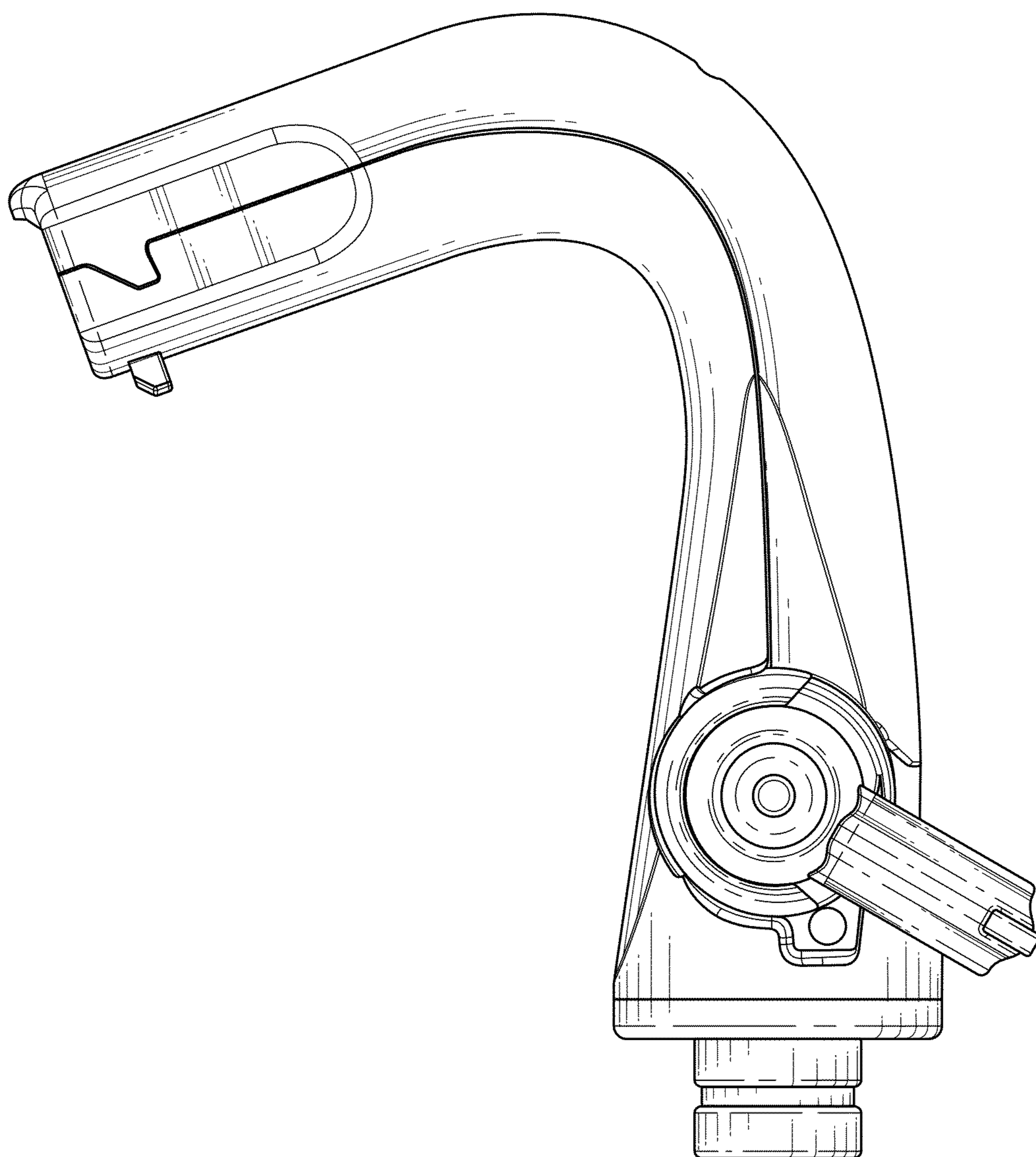


FIG. 5

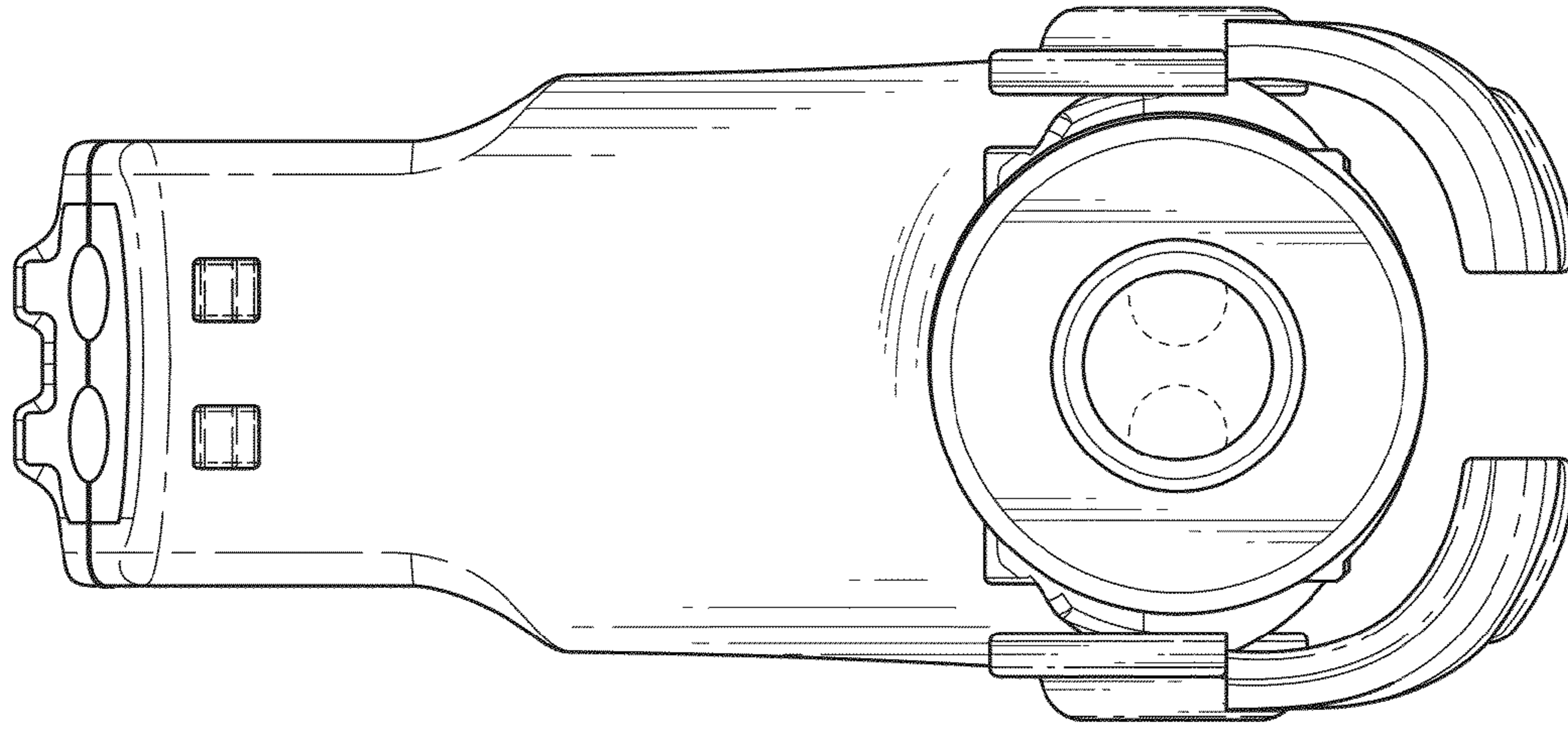


FIG. 7

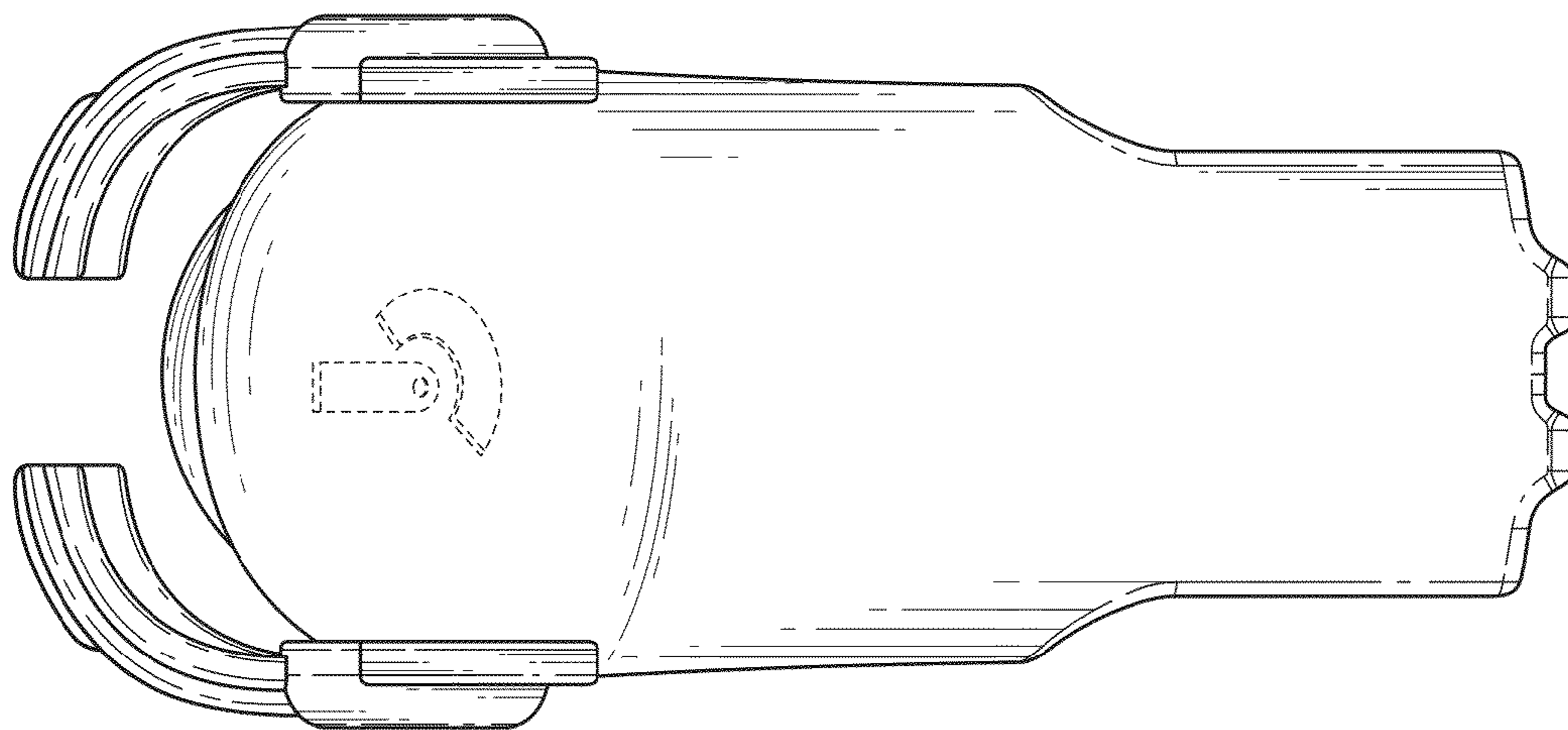


FIG. 6