



US00D708749S

(12) **United States Design Patent**  
**Appling et al.**

(10) **Patent No.:** **US D708,749 S**

(45) **Date of Patent:** **\*\* Jul. 8, 2014**

(54) **DUAL FILTER**

(75) Inventors: **William M. Appling**, Granville, NY  
(US); **Matthew G. Barton**, Wilton, NY  
(US)

(73) Assignee: **Delcath Systems, Inc.**, New York, NY  
(US)

(\*\*) Term: **14 Years**

(21) Appl. No.: **29/409,867**

(22) Filed: **Dec. 29, 2011**

(51) **LOC (10) Cl.** ..... **24-01**

(52) **U.S. Cl.**  
USPC ..... **D24/162**

(58) **Field of Classification Search**  
USPC ..... D24/162, 164, 169; D23/209;  
210/198.2, 444-446, 455  
See application file for complete search history.

(56) **References Cited**

**U.S. PATENT DOCUMENTS**

D384,128 S \* 9/1997 Scott ..... D23/209  
D438,932 S \* 3/2001 McKinney ..... D23/207

D621,001 S \* 8/2010 Maziel et al. .... D23/209  
D656,578 S \* 3/2012 Sherman et al. .... D23/209  
D656,579 S \* 3/2012 Sherman et al. .... D23/209

\* cited by examiner

*Primary Examiner* — T. Chase Nelson

*Assistant Examiner* — Ania Aman

(74) *Attorney, Agent, or Firm* — Franklin S. Abrams

(57) **CLAIM**

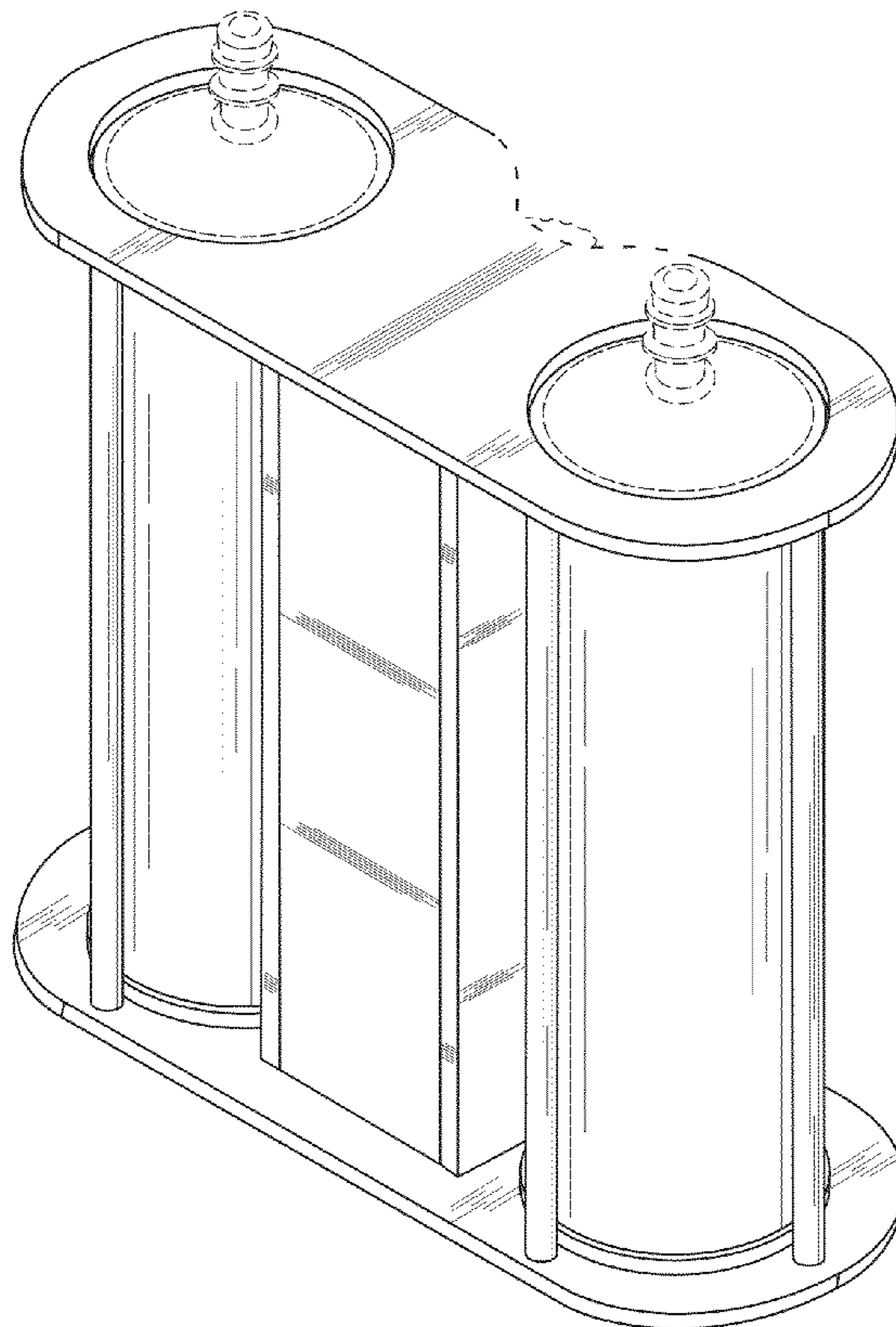
The ornamental design for a dual filter, as shown and described.

**DESCRIPTION**

FIG. 1 is a front perspective view of the dual filter;  
FIG. 2 is a front view of the dual filter;  
FIG. 3 is a rear view of the dual filter;  
FIG. 4 is a side view of the dual filter;  
FIG. 5 is a top view of the dual filter; and,  
FIG. 6 is a bottom view of the dual filter.

The broken lines shown in the drawings are for illustrative purposes only and form no part of the claimed design. The right side view and the left side view of the dual filter are identical and FIG. 4 is a view of either the left or right side of the dual filter.

**1 Claim, 5 Drawing Sheets**



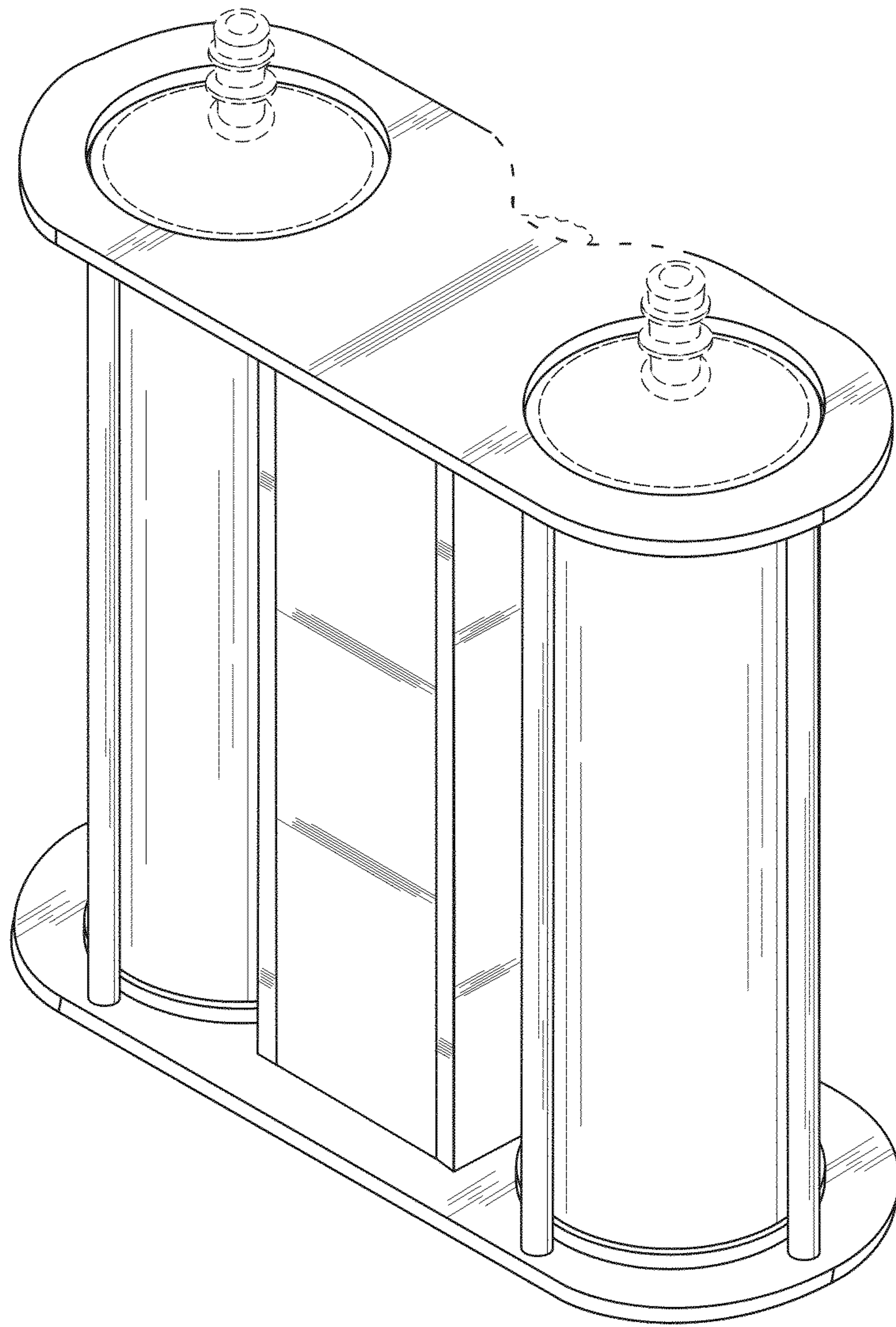


FIG. 1

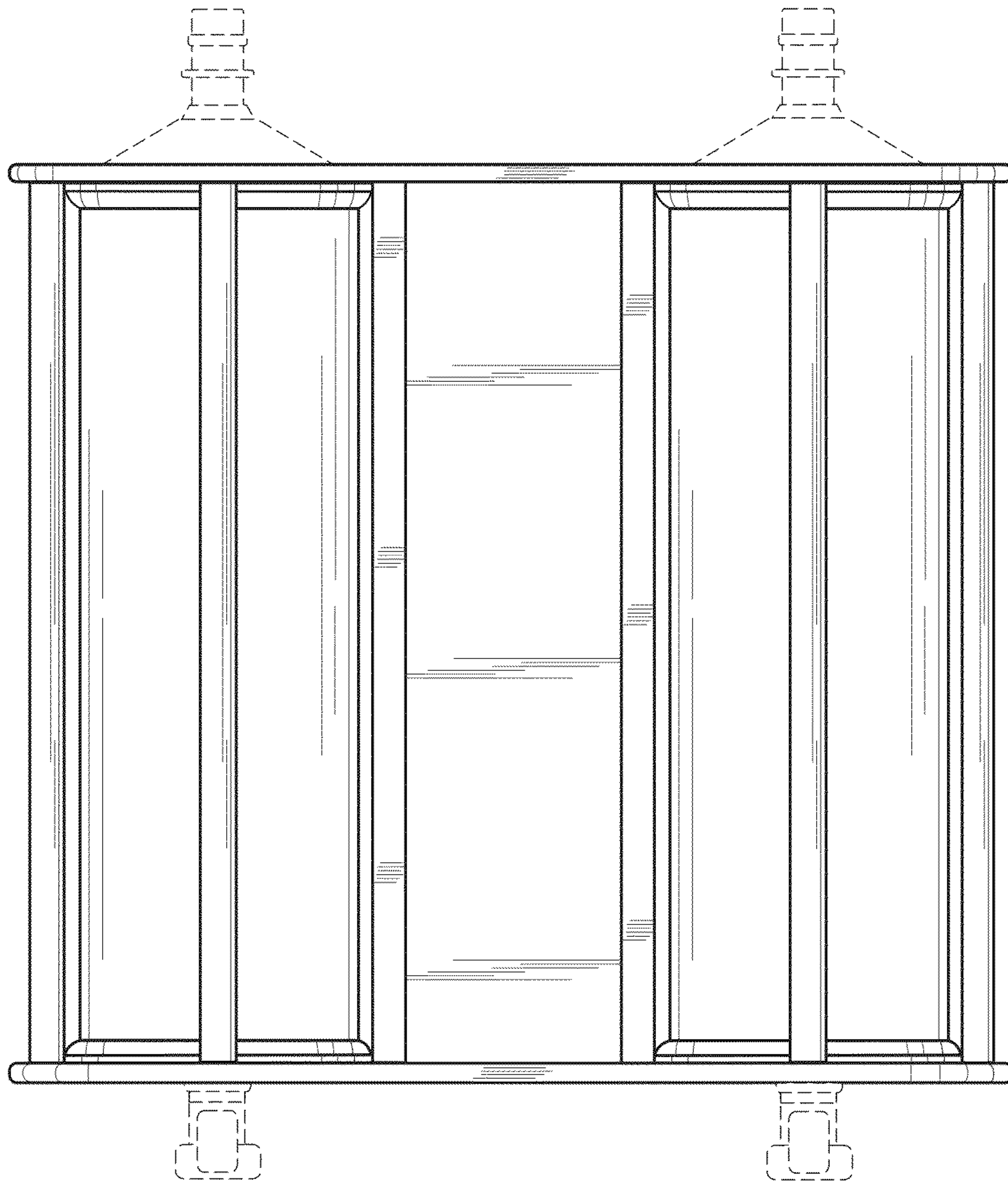


FIG. 2



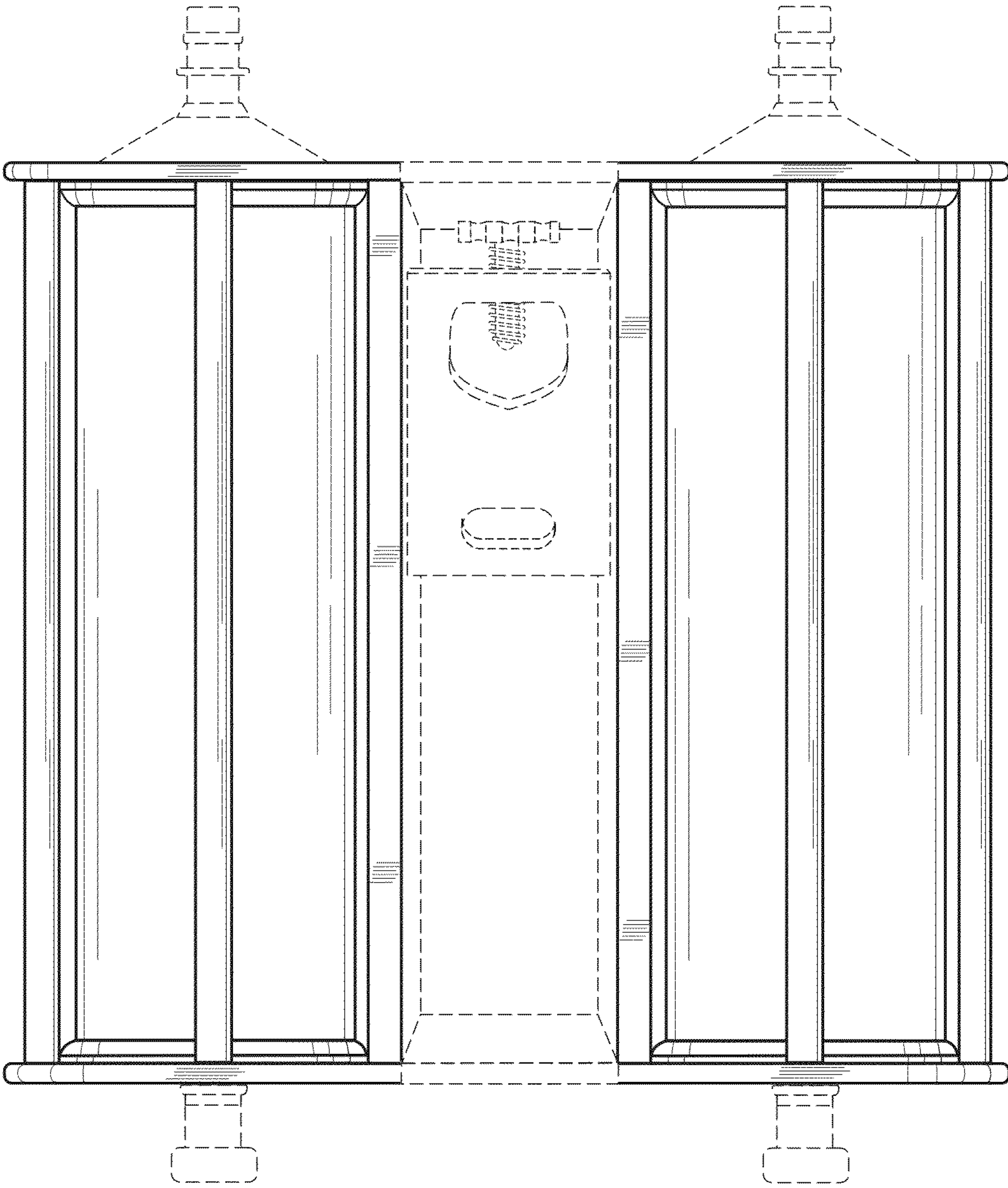


FIG. 3

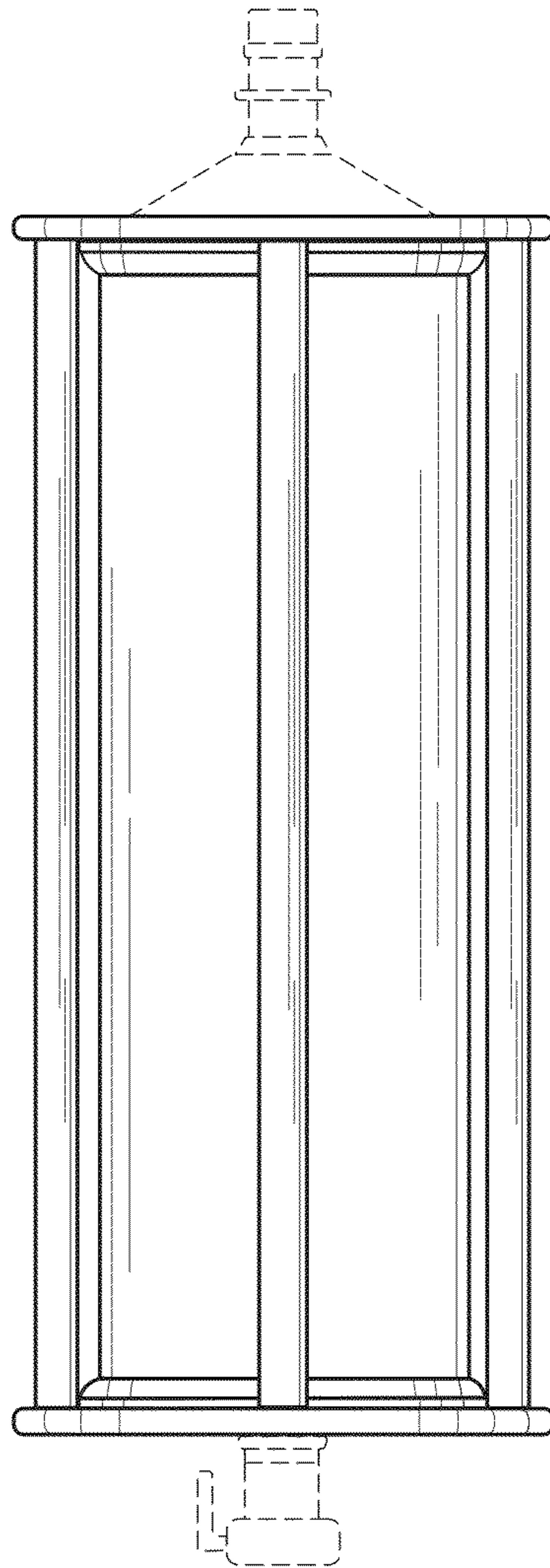
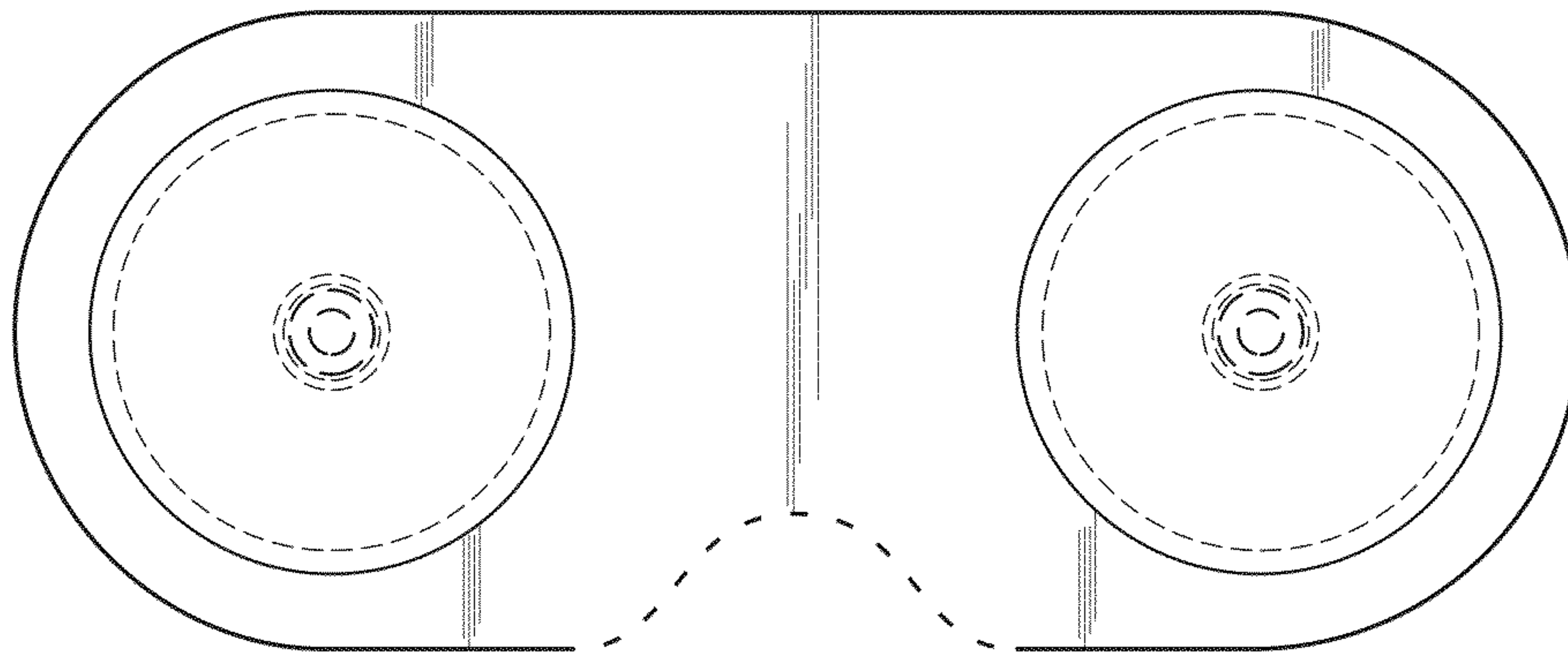
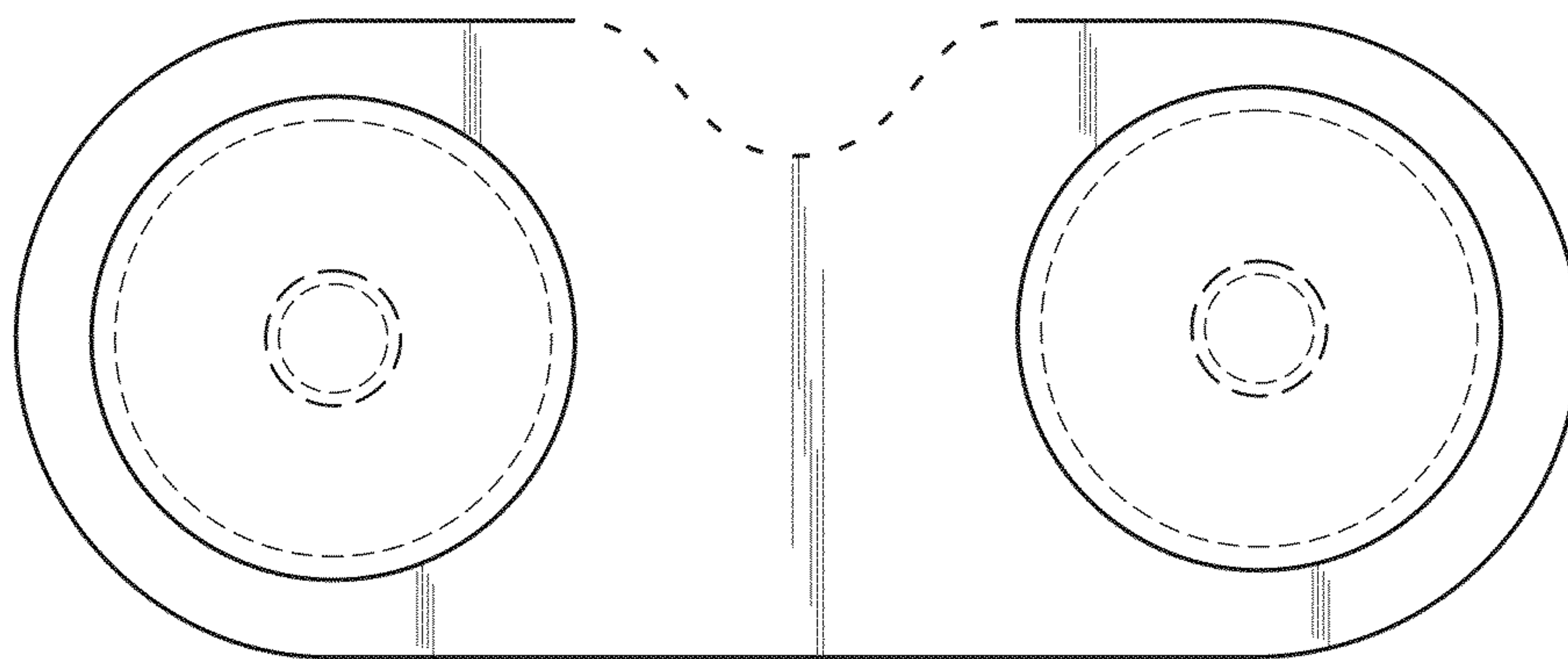


FIG. 4



**FIG. 5**



**FIG. 6**