



US00D708748S

(12) **United States Design Patent**  
**Lei**

(10) **Patent No.:** **US D708,748 S**  
(45) **Date of Patent:** **\*\* Jul. 8, 2014**

(54) **HOST OF THERAPY APPARATUS**  
(71) Applicant: **Chongqing Derma Optic and Electronic Technique Co., Ltd.,**  
Chongqing (CN)  
(72) Inventor: **Xiaobing Lei,** Chongqing (CN)  
(73) Assignee: **Chongqing Derma Optic and Electronic Technique Co., Ltd.,**  
Chongqing (CN)

(\*\*) Term: **14 Years**  
(21) Appl. No.: **29/439,294**  
(22) Filed: **Dec. 10, 2012**

(30) **Foreign Application Priority Data**  
Jun. 9, 2012 (CN) ..... 2012 3 0235713  
(51) **LOC (10) Cl.** ..... **24-01**  
(52) **U.S. Cl.**  
USPC ..... **D24/158**  
(58) **Field of Classification Search**  
USPC ..... D24/158-161, 185, 186, 107, 200;  
D28/9; 378/64, 65, 195, 198; 600/2, 9  
See application file for complete search history.

(56) **References Cited**  
U.S. PATENT DOCUMENTS  
D115,291 S \* 6/1939 McDonald ..... D24/158  
D273,892 S \* 5/1984 Fenne et al. .... D24/158  
D286,922 S \* 11/1986 Takigawa ..... D24/200  
D391,638 S \* 3/1998 Coons et al. .... D24/160  
D426,892 S \* 6/2000 Beale et al. .... D24/160

D448,522 S \* 9/2001 Minami ..... D28/9  
D492,997 S \* 7/2004 DiStasio ..... D24/158  
D561,342 S \* 2/2008 Zimmer ..... D24/185  
D566,283 S \* 4/2008 Brafford et al. .... D24/186  
D639,948 S \* 6/2011 Personelli ..... D24/158  
D639,960 S \* 6/2011 Boudier et al. .... D24/185  
D646,393 S \* 10/2011 Juliana et al. .... D24/186  
D648,855 S \* 11/2011 Smith et al. .... D24/158  
D657,470 S \* 4/2012 Schon et al. .... D24/186  
D668,770 S \* 10/2012 Tucek et al. .... D24/209

\* cited by examiner

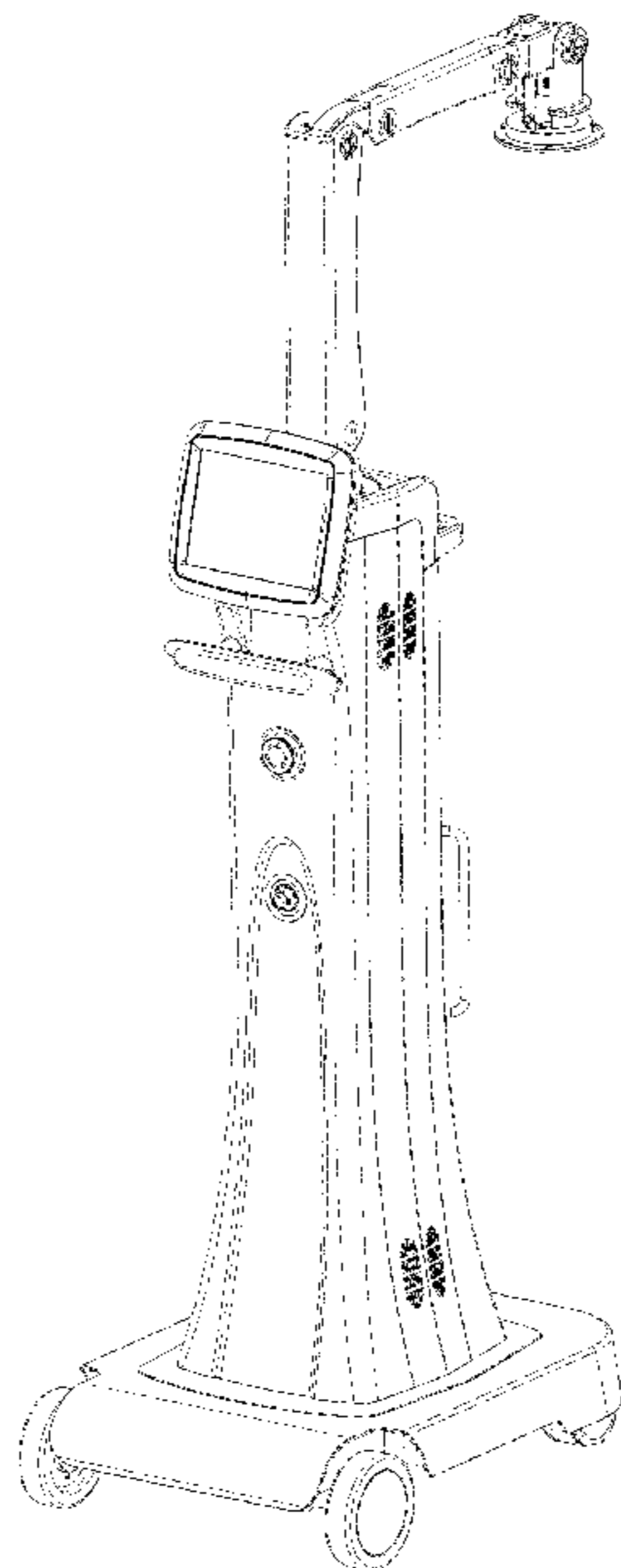
*Primary Examiner* — Anhdao Doan

(57) **CLAIM**  
The ornamental design for a host of therapy apparatus, as shown and described.

**DESCRIPTION**

FIG. 1 is a perspective view of a host of therapy apparatus showing my new design;  
FIG. 2 is a front elevational view of the host of therapy apparatus thereof;  
FIG. 3 is a rear elevational view of the host of therapy apparatus thereof;  
FIG. 4 is a left side elevational view of the host of therapy apparatus thereof;  
FIG. 5 is a right side elevational view of the host of therapy apparatus thereof  
FIG. 6 is a top plan view of the host of therapy apparatus thereof; and,  
FIG. 7 is a bottom plan view of the host of therapy apparatus thereof.  
The broken lines in the drawings illustrate the portions of the design that form no part of the claim.

**1 Claim, 7 Drawing Sheets**



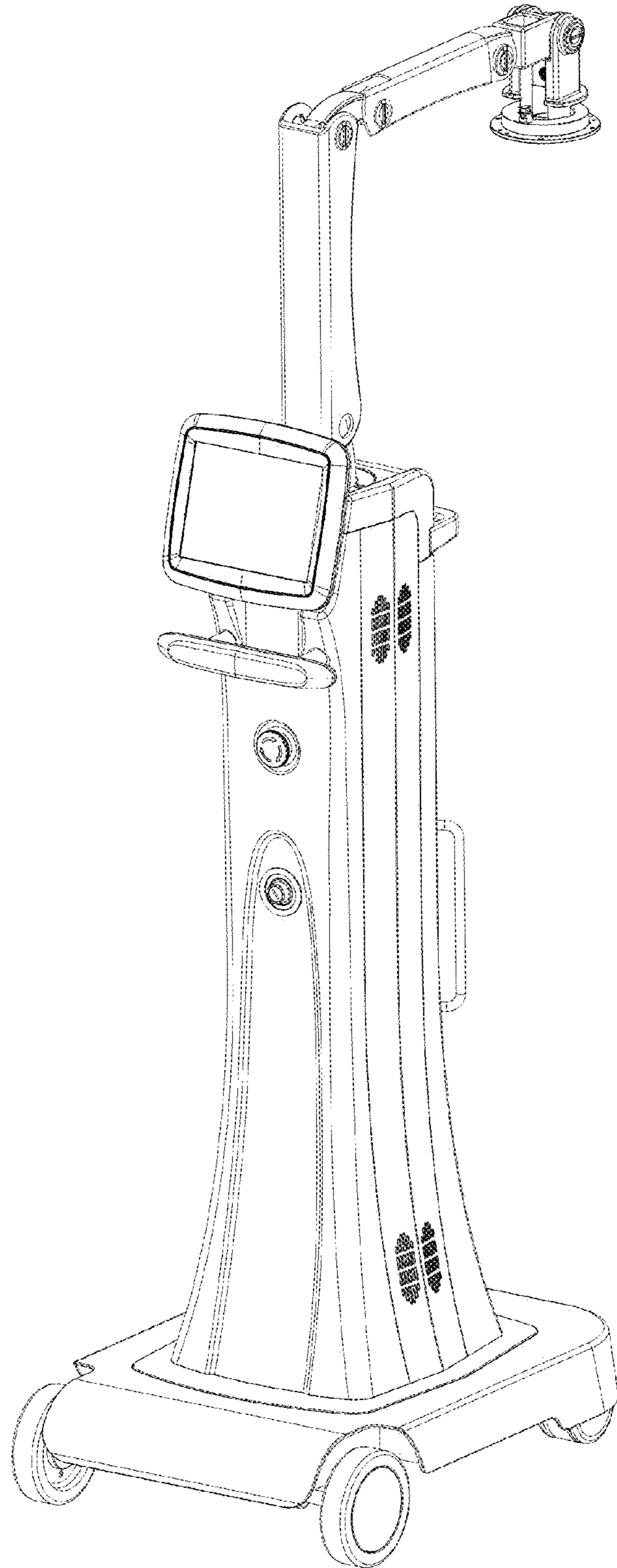


FIG. 1

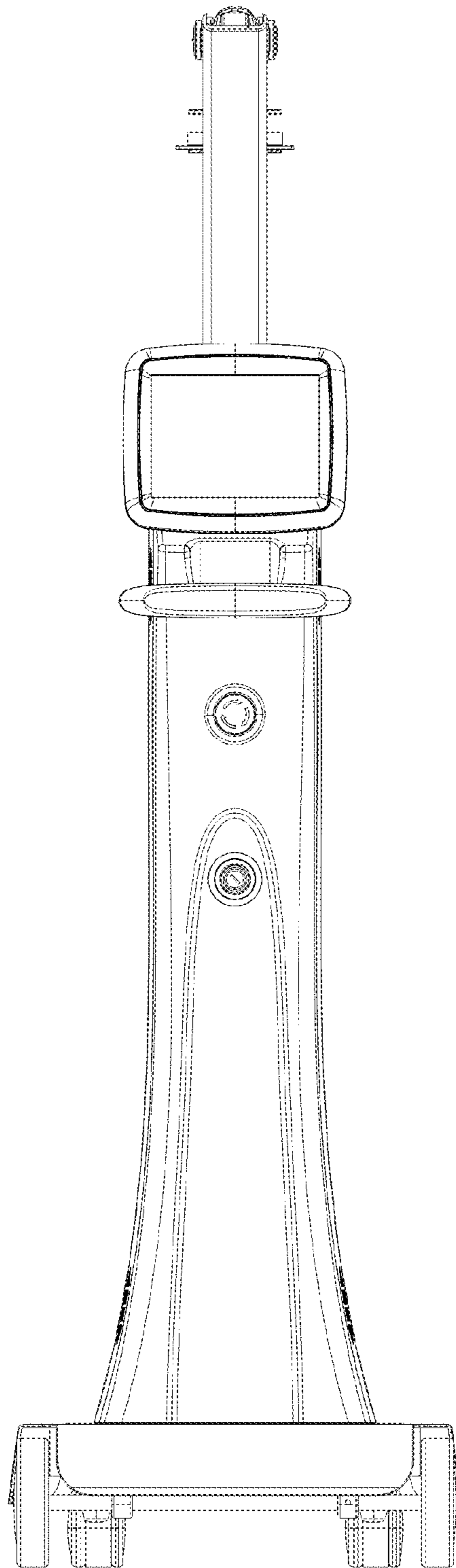


FIG. 2

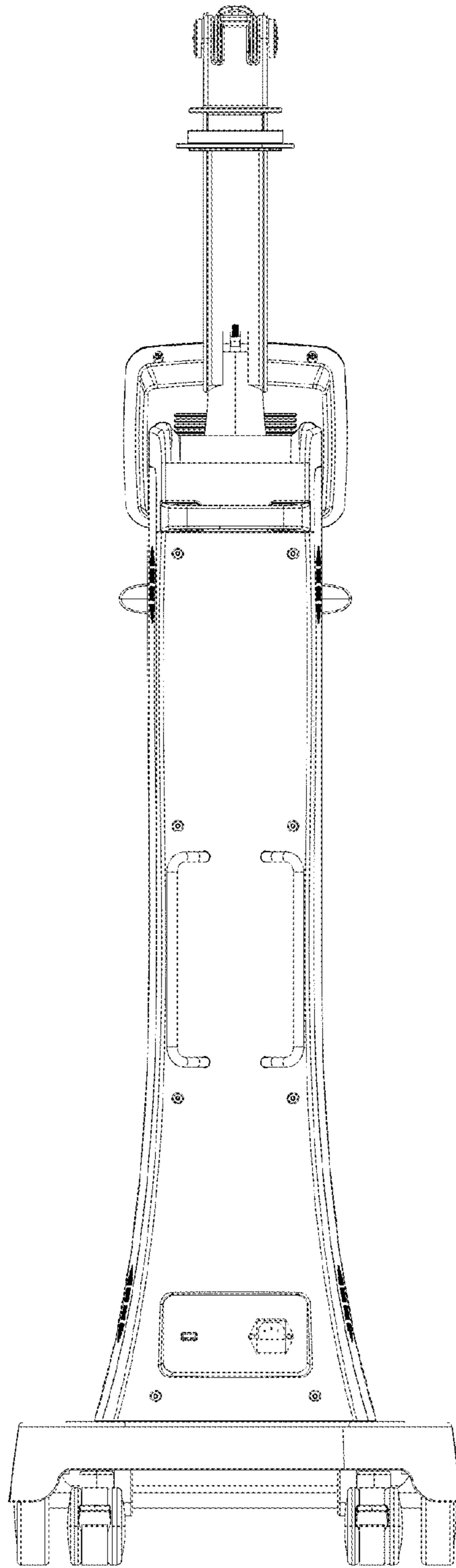


FIG. 3

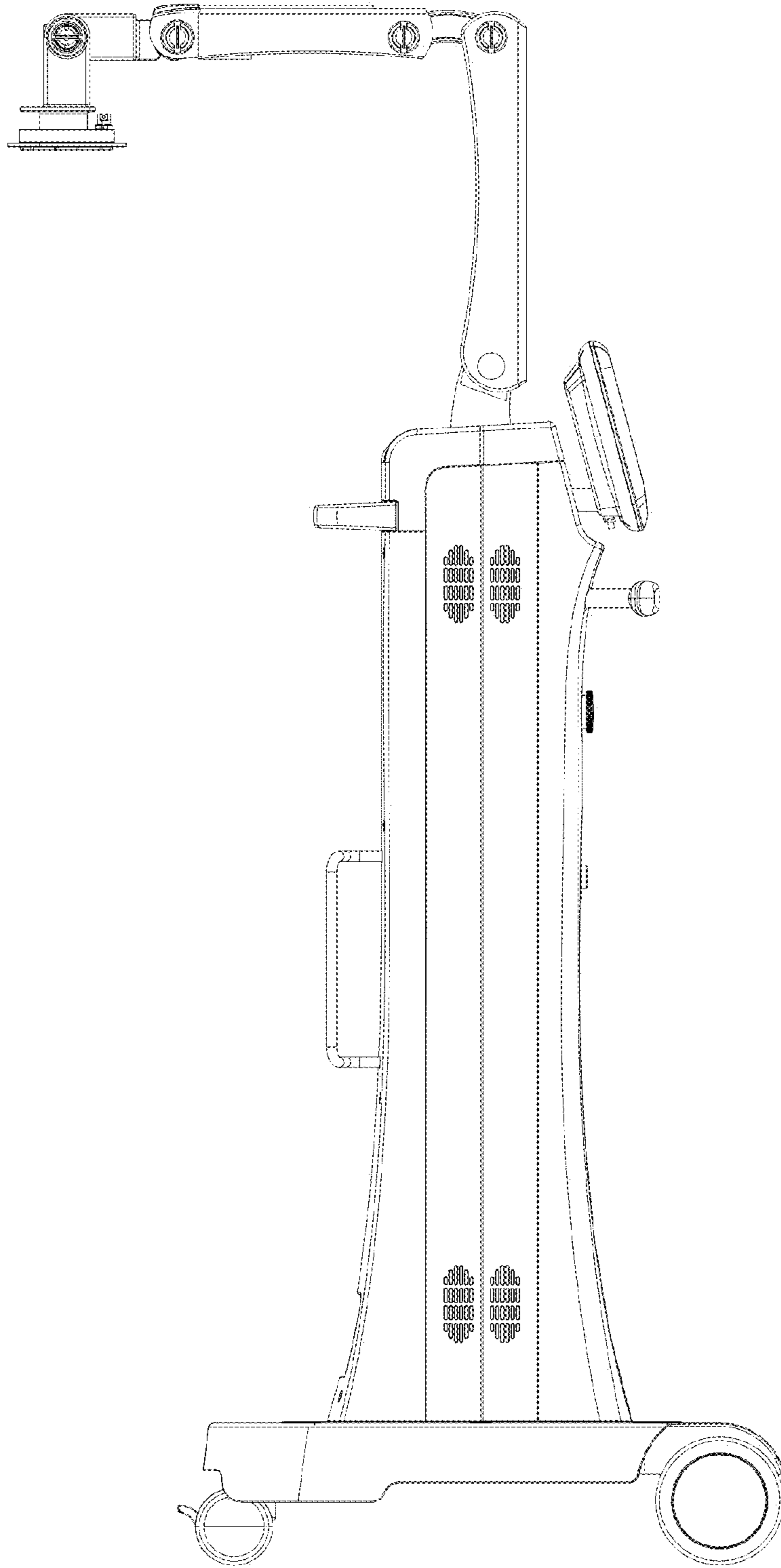


FIG. 4

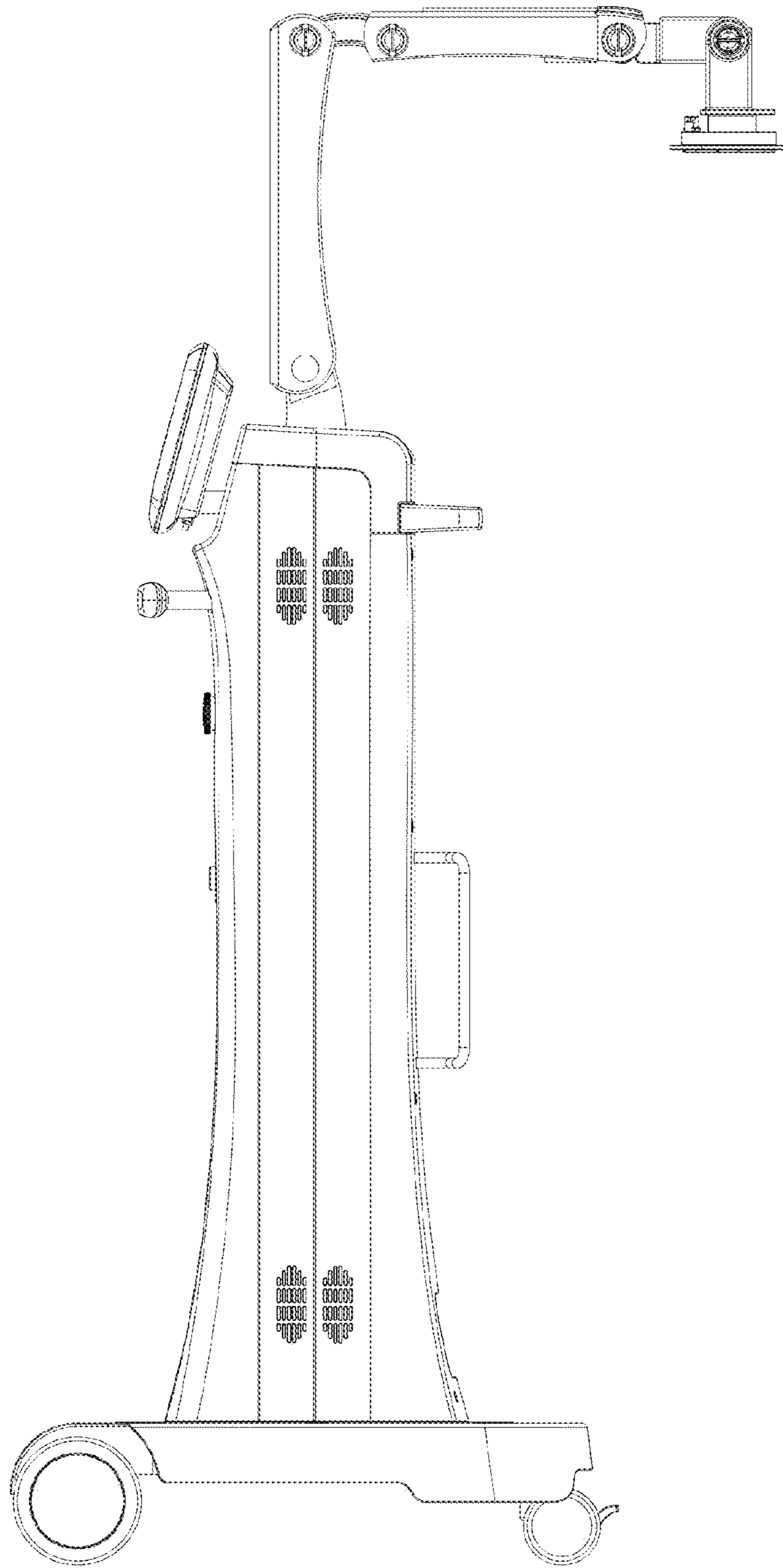


FIG. 5

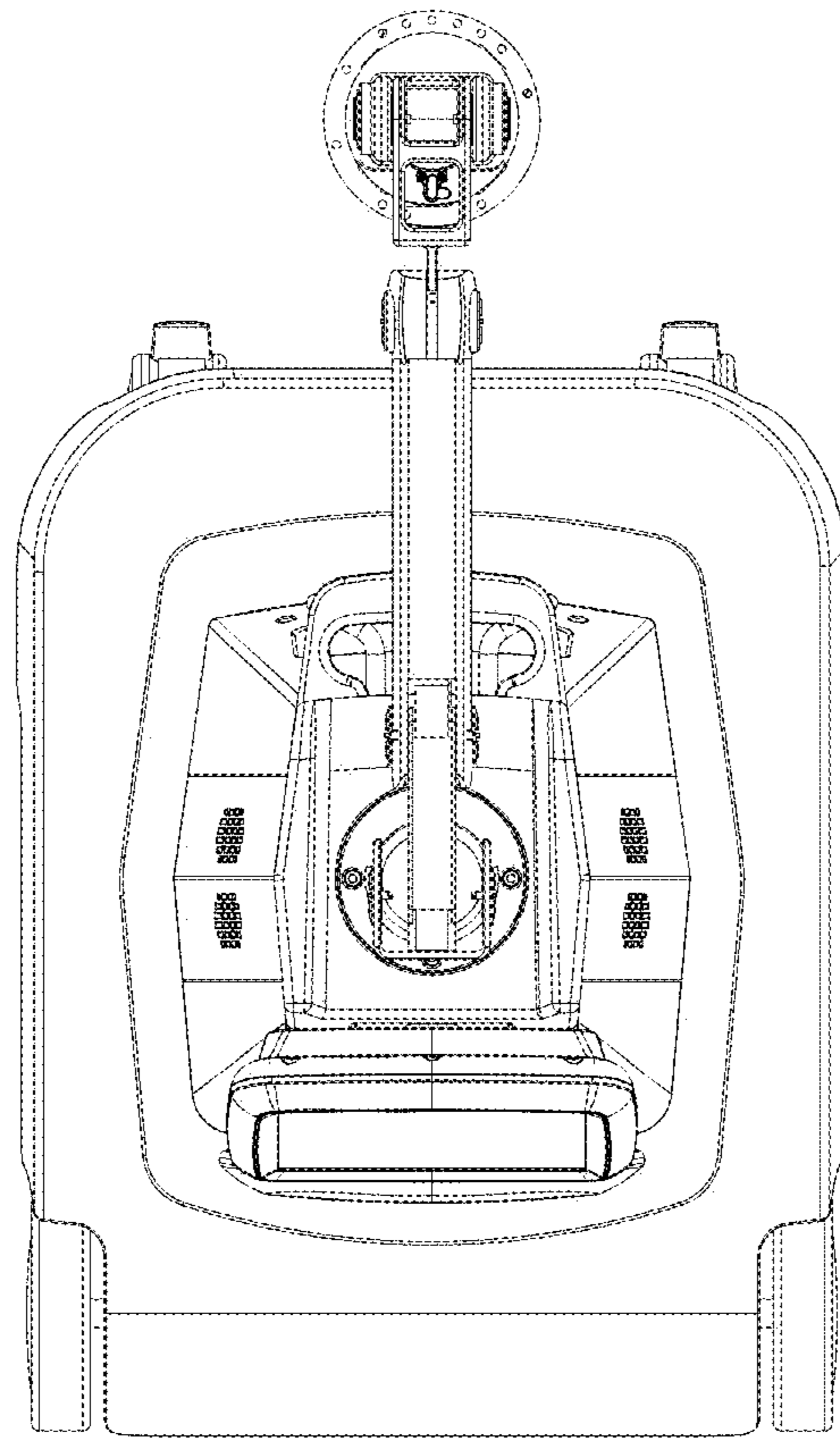


FIG. 6

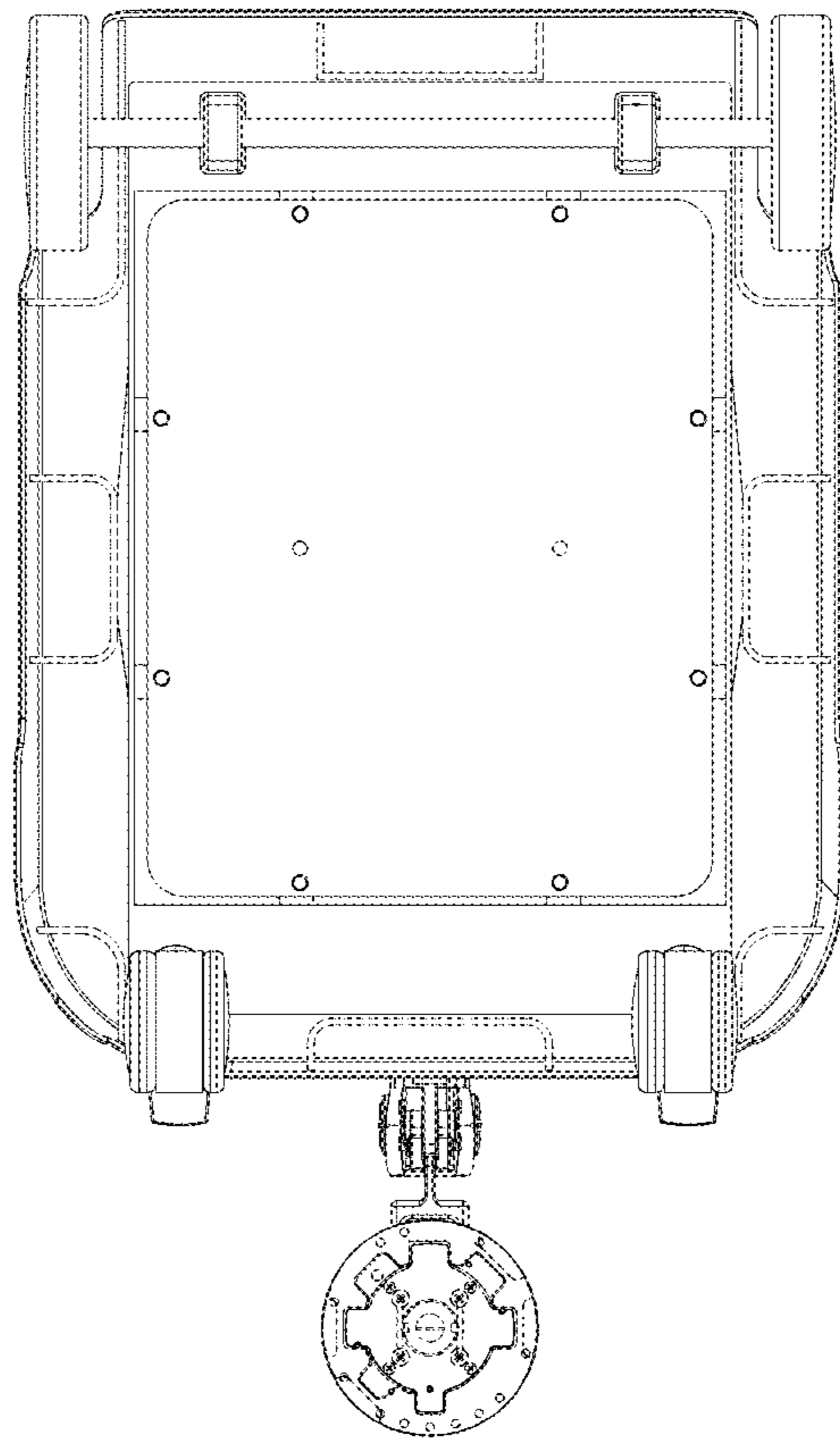


FIG. 7