



US00D708747S

(12) **United States Design Patent**
Curran et al.

(10) **Patent No.:** **US D708,747 S**
(45) **Date of Patent:** **** Jul. 8, 2014**

- (54) **SPINAL FUSION IMPLANT**
- (75) Inventors: **Matthew Curran**, Carlsbad, CA (US);
Caleb Granger, San Diego, CA (US);
W. Dan Bradley, Denton, TX (US);
Ravinder Bains, Orinda, CA (US); **G. Bryan Cornwall**, San Diego, CA (US)
- (73) Assignee: **NuVasive, Inc.**, San Diego, CA (US)
- (**) Term: **14 Years**
- (21) Appl. No.: **29/381,796**
- (22) Filed: **Dec. 22, 2010**

Related U.S. Application Data

- (63) Continuation of application No. 11/526,421, filed on Sep. 25, 2006, now abandoned.
- (51) **LOC (10) Cl.** **24-02**
- (52) **U.S. Cl.**
USPC **D24/155**
- (58) **Field of Classification Search**
USPC D24/155, 133, 135; 606/61, 69, 90,
606/86 R, 248, 249; 623/17.15, 17.16,
623/17.12, 16.11, 20.14; 604/500
See application file for complete search history.

(56) **References Cited**

U.S. PATENT DOCUMENTS

4,493,317 A	1/1985	Klaue
4,599,999 A	7/1986	Klaue
4,743,256 A	5/1988	Brantigan
4,904,261 A	2/1990	Dove et al.
4,955,908 A	9/1990	Frey et al.
5,192,327 A	3/1993	Brantigan
5,364,399 A	11/1994	Lowery et al.
5,397,364 A	3/1995	Kozak et al.
5,405,391 A	4/1995	Hednerson et al.
5,423,826 A	6/1995	Coates et al.

5,507,801 A	4/1996	Gisin et al.
5,578,034 A	11/1996	Estes
5,601,553 A	2/1997	Trebing et al.
5,616,144 A	4/1997	Yapp et al.
5,713,899 A	2/1998	Marnay et al.
5,755,721 A	5/1998	Hearn
5,772,661 A	6/1998	Michelson
5,851,207 A	12/1998	Cesarone
5,876,402 A	3/1999	Errico et al.
5,888,223 A	3/1999	Bray
5,916,267 A	6/1999	Tienboon
5,931,838 A	8/1999	Vito
5,951,558 A	9/1999	Fiz
5,954,722 A	9/1999	Bono
6,066,175 A	5/2000	Henderson et al.
6,080,193 A	6/2000	Hochshuler et al.
6,093,205 A	7/2000	McLeod et al.
6,120,503 A	9/2000	Michelson
6,136,001 A	10/2000	Michelson
6,139,550 A	10/2000	Michelson
6,152,927 A	11/2000	Farris et al.
6,156,037 A	12/2000	LeHuec et al.
6,193,721 B1	2/2001	Michelson

(Continued)

Primary Examiner — Ian Simmons

Assistant Examiner — Charles Hanson

(74) *Attorney, Agent, or Firm* — NuVasive, Inc.; Jonathan Spangler; Jennifer Russell

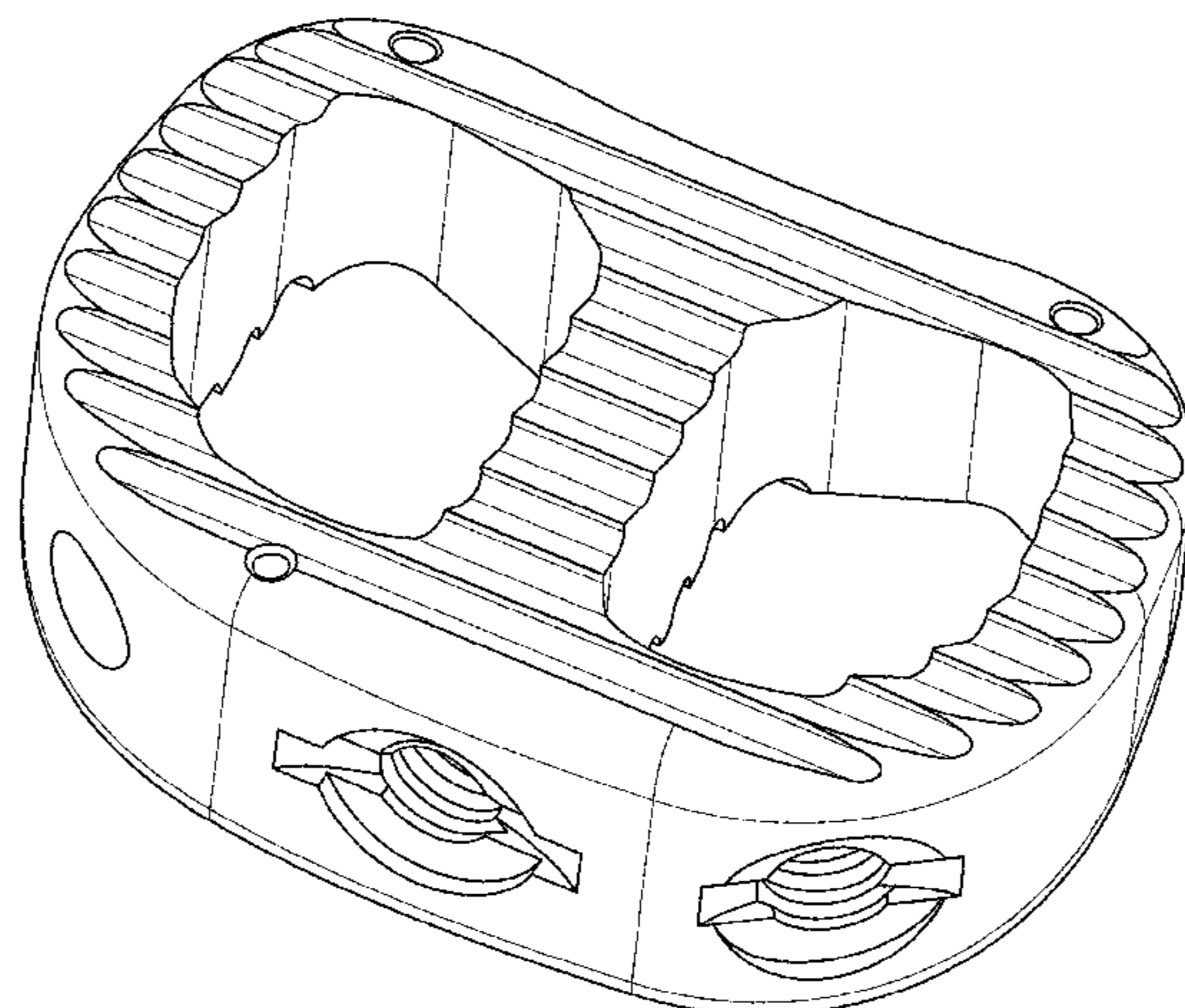
(57) **CLAIM**

The ornamental design for a spinal fusion implant, substantially as shown and described.

DESCRIPTION

FIG. 1 is a perspective view of a spinal fusion implant showing our new design;
FIG. 2 is a top view thereof;
FIG. 3 is a bottom view thereof;
FIG. 4 is a side view thereof; and,
FIG. 5 is a front view thereof.

1 Claim, 3 Drawing Sheets



(56)

References Cited

U.S. PATENT DOCUMENTS

6,210,415	B1	4/2001	Bester	7,331,994	B2	2/2008	Gordon
6,228,118	B1	5/2001	Gordon	7,354,452	B2	4/2008	Foley
6,235,034	B1	5/2001	Bray	D580,551	S *	11/2008	Cohen D24/155
6,235,059	B1	5/2001	Benezech et al.	7,452,370	B2	11/2008	Anderson
6,241,771	B1 *	6/2001	Gresser et al. 623/17.16	7,618,456	B2	11/2009	Mathieu et al.
6,261,291	B1	7/2001	Talaber et al.	7,662,174	B2	2/2010	Doubler et al.
6,306,139	B1	10/2001	Fuentes	D616,546	S *	5/2010	Vraney et al. D24/155
6,306,170	B2	10/2001	Ray	D619,255	S *	7/2010	Richter et al. D24/155
6,331,179	B1	12/2001	Freid et al.	D620,111	S *	7/2010	Courtney et al. D24/155
6,342,055	B1	1/2002	Eisermann et al.	D623,747	S *	9/2010	Horton D24/155
6,342,057	B1	1/2002	Brace et al.	D623,749	S *	9/2010	Horton et al. D24/155
6,364,880	B1	4/2002	Michelson	D627,466	S *	11/2010	Courtney et al. D24/155
6,379,364	B1	4/2002	Brace et al.	2003/0083667	A1	5/2003	Ralph
6,398,783	B1	6/2002	Michelson	2003/0125739	A1	7/2003	Bagga et al.
6,413,259	B1	7/2002	Lyons et al.	2003/0139813	A1	7/2003	Messerli et al.
6,432,106	B1	8/2002	Fraser	2003/0187440	A1	10/2003	Richelsoph
6,454,771	B1	9/2002	Michelson	2003/0225409	A1	12/2003	Freid
6,461,359	B1	10/2002	Tribus et al.	2004/0039387	A1	2/2004	Gause
6,471,724	B2	10/2002	Zdeblick et al.	2004/0122518	A1	6/2004	Rhoda
6,485,517	B1	11/2002	Michelson	2004/0186482	A1	9/2004	Kolb
6,527,776	B1	3/2003	Michelson	2004/0193272	A1	9/2004	Zubok
6,558,423	B1	5/2003	Michelson	2004/0210232	A1	10/2004	Patel
6,562,073	B2	5/2003	Foley	2004/0215195	A1	10/2004	Shipp
6,572,619	B2	6/2003	Santilli	2004/0267274	A1	12/2004	Patel
6,576,017	B2	6/2003	Foley et al.	2005/0015092	A1	1/2005	Rathbun
6,579,290	B1	6/2003	Hardcastle et al.	2005/0015093	A1	1/2005	Suh
6,582,468	B1	6/2003	Gauchet	2005/0027301	A1	2/2005	Stihl
6,602,255	B1	8/2003	Campbell et al.	2005/0033294	A1	2/2005	Garden
6,629,998	B1	10/2003	Lin	2005/0038444	A1	2/2005	Binder
6,669,700	B1	12/2003	Farris et al.	2005/0043738	A1	2/2005	Ryan
6,682,563	B2	1/2004	Scharf	2005/0049593	A1	3/2005	Duong
6,692,503	B2	2/2004	Foley et al.	2005/0137606	A1	6/2005	Binder
6,695,846	B2	2/2004	Richelsoph et al.	2005/0143824	A1	6/2005	Richelsoph
6,712,818	B1	3/2004	Michelson	2005/0234455	A1	10/2005	Binder et al.
6,730,127	B2	5/2004	Michelson	2005/0261690	A1	11/2005	Binder et al.
6,773,460	B2	8/2004	Jackson	2006/0030851	A1	2/2006	Bray
6,837,905	B1	1/2005	Lieberman	2006/0079961	A1	4/2006	Michelson
6,896,676	B2	5/2005	Zubok et al.	2006/0100637	A1	5/2006	Rathbun
6,916,320	B2	7/2005	Michelson	2006/0129244	A1	6/2006	Ensign
6,936,050	B2	8/2005	Michelson	2006/0206208	A1	9/2006	Michelson
6,936,051	B2	8/2005	Michelson	2006/0224241	A1	10/2006	Butler
6,972,019	B2	12/2005	Michelson	2006/0235403	A1	10/2006	Blain
7,001,387	B2	2/2006	Farris et al.	2006/0235409	A1	10/2006	Blain
7,001,389	B1	2/2006	Navarro et al.	2007/0055252	A1	3/2007	Blain
7,004,944	B2	2/2006	Gause	2007/0233120	A1	10/2007	Thramann
7,033,394	B2	4/2006	Michelson	2008/0097433	A1	4/2008	Molz
7,041,135	B2	5/2006	Michelson	2008/0119933	A1	5/2008	Aebi et al.
7,048,739	B2	5/2006	Konieczynski et al.	2008/0161925	A1	7/2008	Brittan
7,060,067	B2	6/2006	Needham et al.	2008/0177307	A1	7/2008	Moskowitz
7,077,866	B2 *	7/2006	Gresser et al. 623/17.16	2008/0249569	A1	10/2008	Waugh et al.
7,112,222	B2	9/2006	Fraser et al.	2008/0249575	A1	10/2008	Waugh et al.
7,137,984	B2	11/2006	Michelson	2008/0249625	A1	10/2008	Waugh et al.
7,163,561	B2	1/2007	Michelson	2008/0287999	A1	11/2008	Markworth
7,172,627	B2	2/2007	Fiere et al.	2008/0306596	A1	12/2008	Jones
7,182,782	B2	2/2007	Kirschman	2009/0088849	A1	4/2009	Armstrong et al.
7,204,837	B2	4/2007	Paul	2009/0210064	A1	8/2009	Lechmann et al.
7,232,464	B2	6/2007	Mathieu et al.	2009/0264934	A1	10/2009	Youssef et al.
7,238,203	B2	7/2007	Bagga et al.	2010/0042159	A1	2/2010	Butler
7,255,698	B2	8/2007	Michelson	2010/0057206	A1	3/2010	Duffield et al.
7,320,708	B1	1/2008	Bernstein	2010/0087925	A1	4/2010	Kostuik et al.
				2010/0094421	A1	4/2010	Mathieu et al.
				2010/0121383	A1	5/2010	Stanaford et al.

* cited by examiner

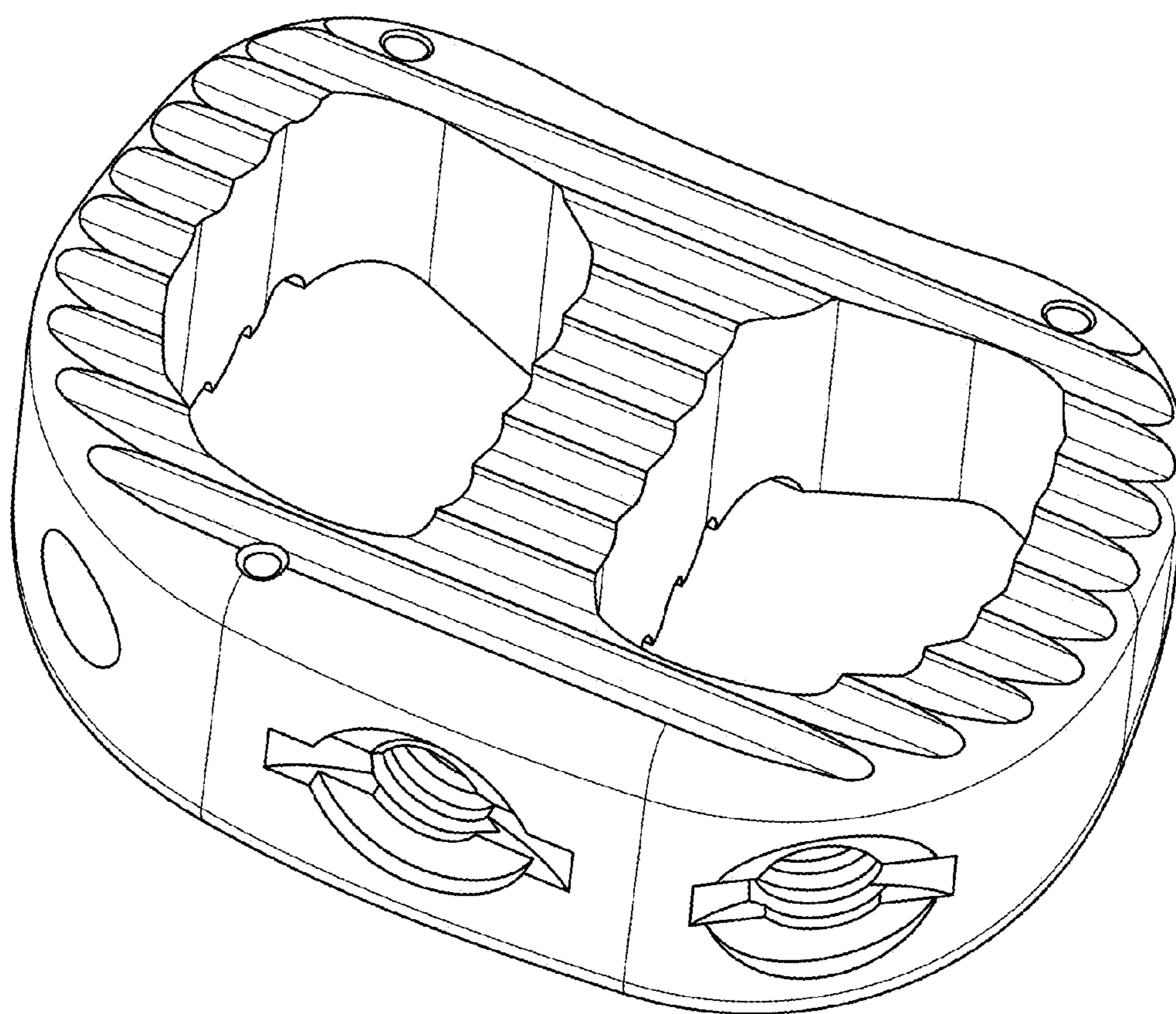


FIG. 1

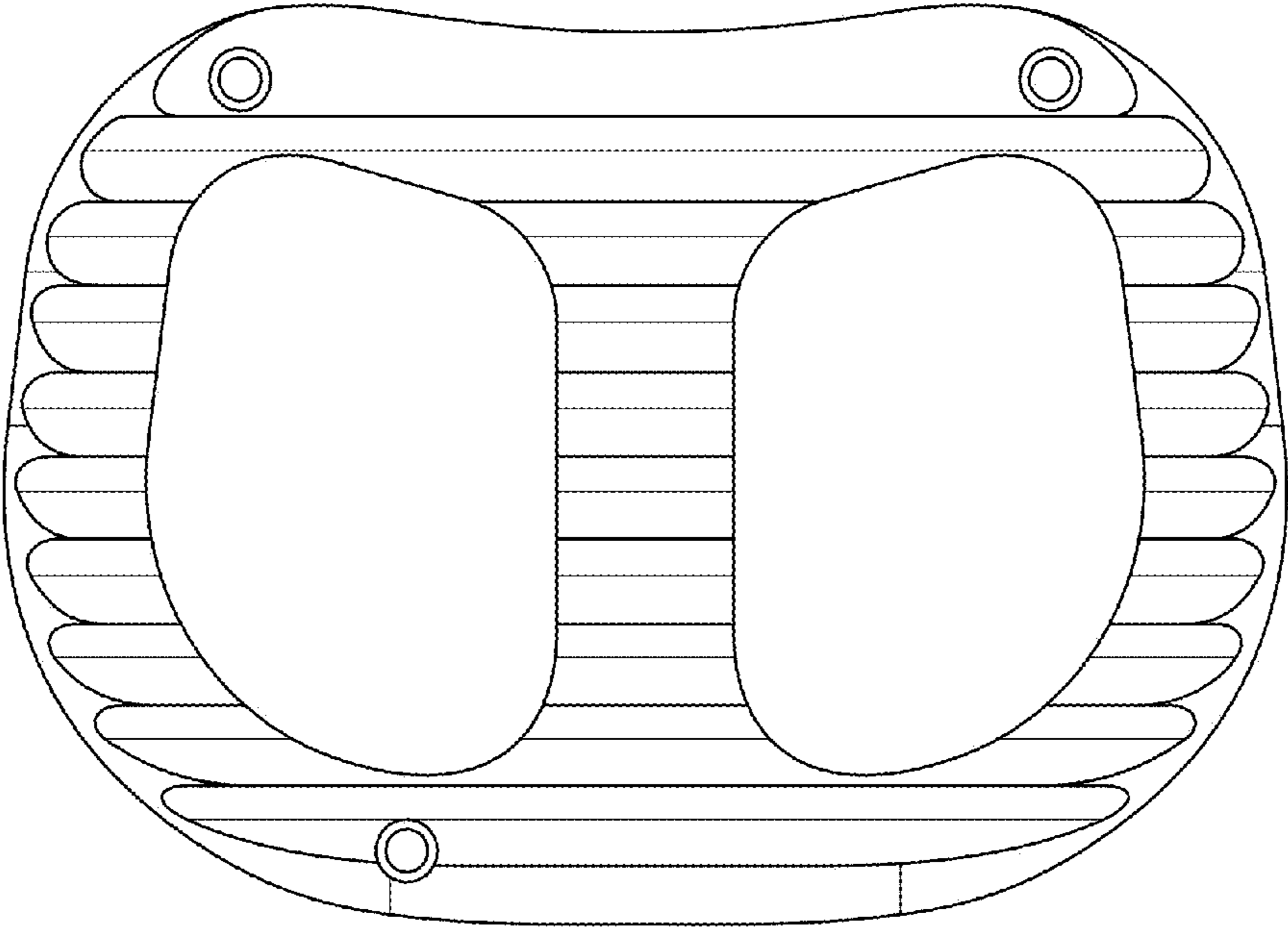


FIG. 2

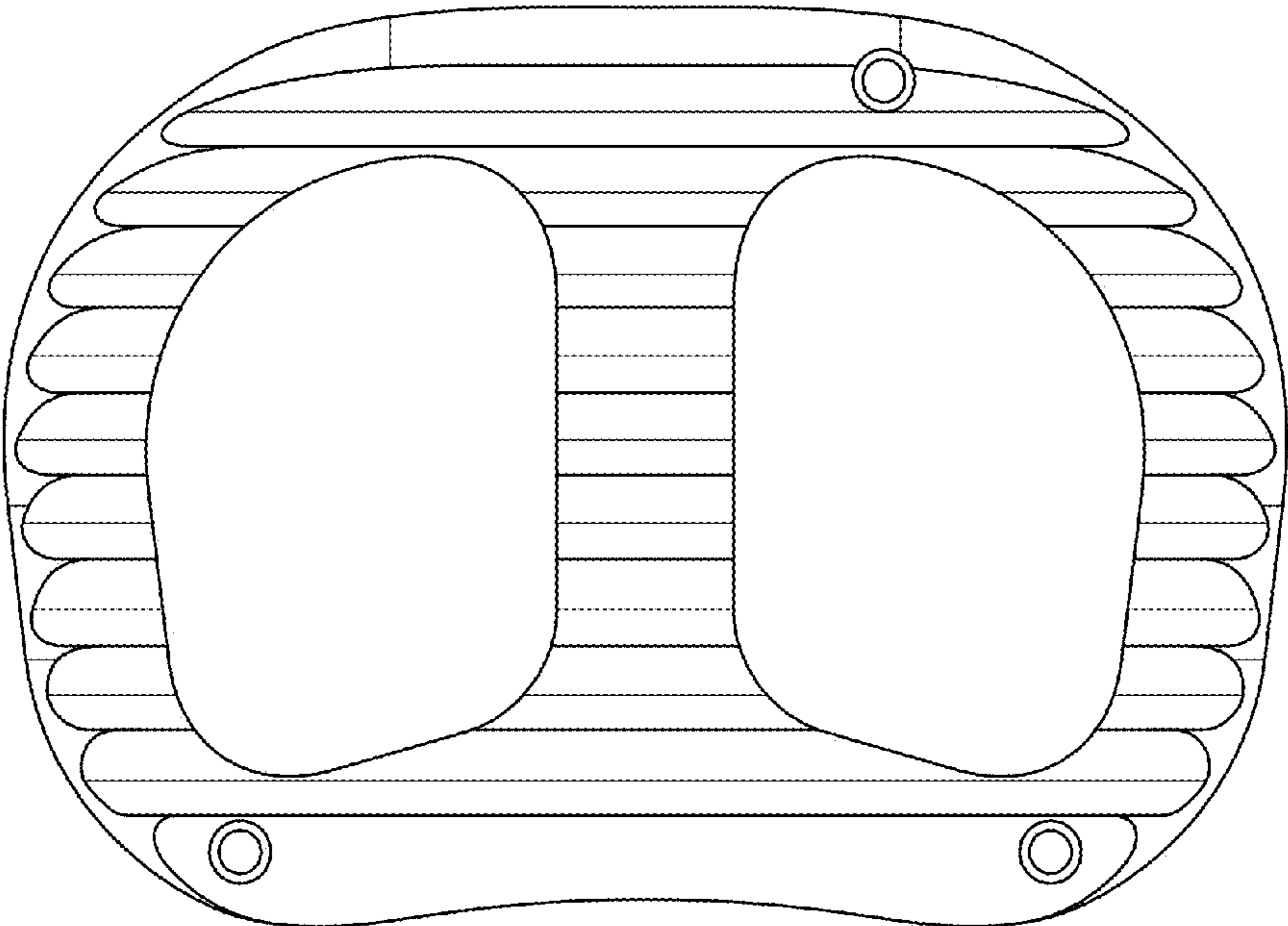


FIG. 3

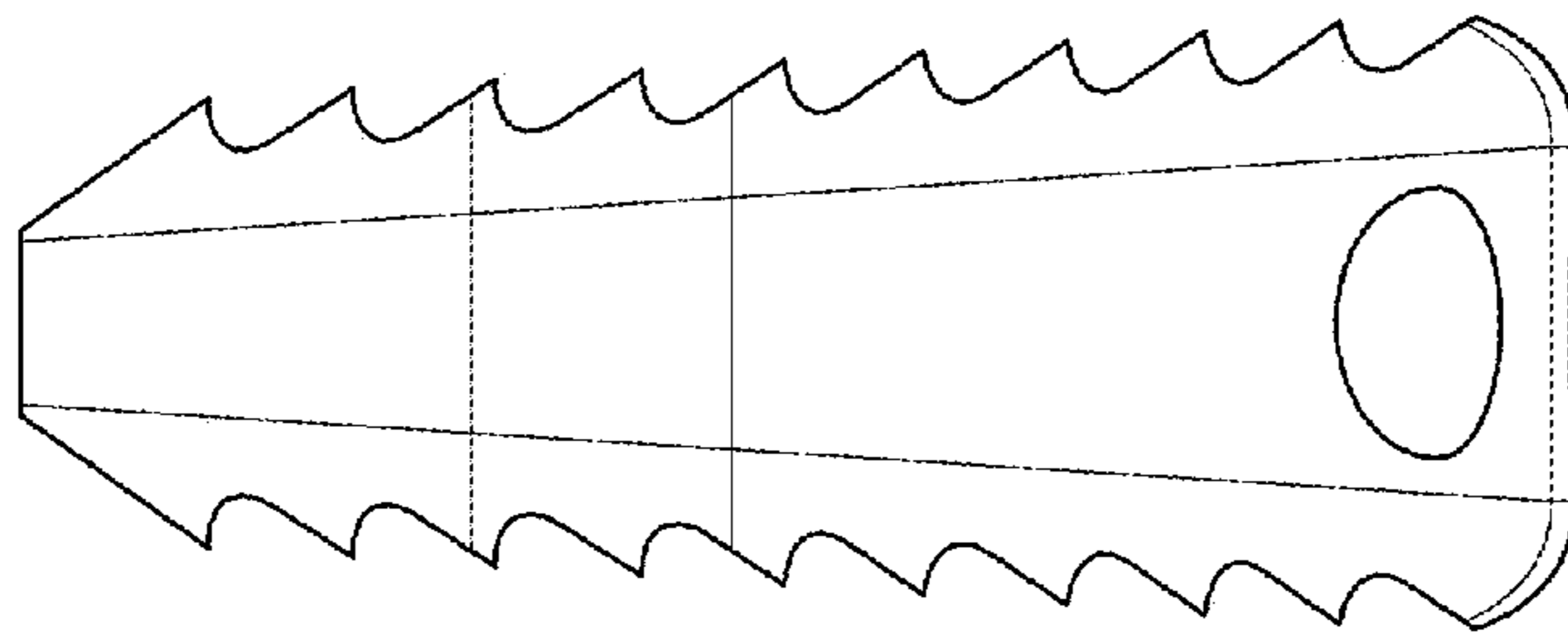


FIG. 4

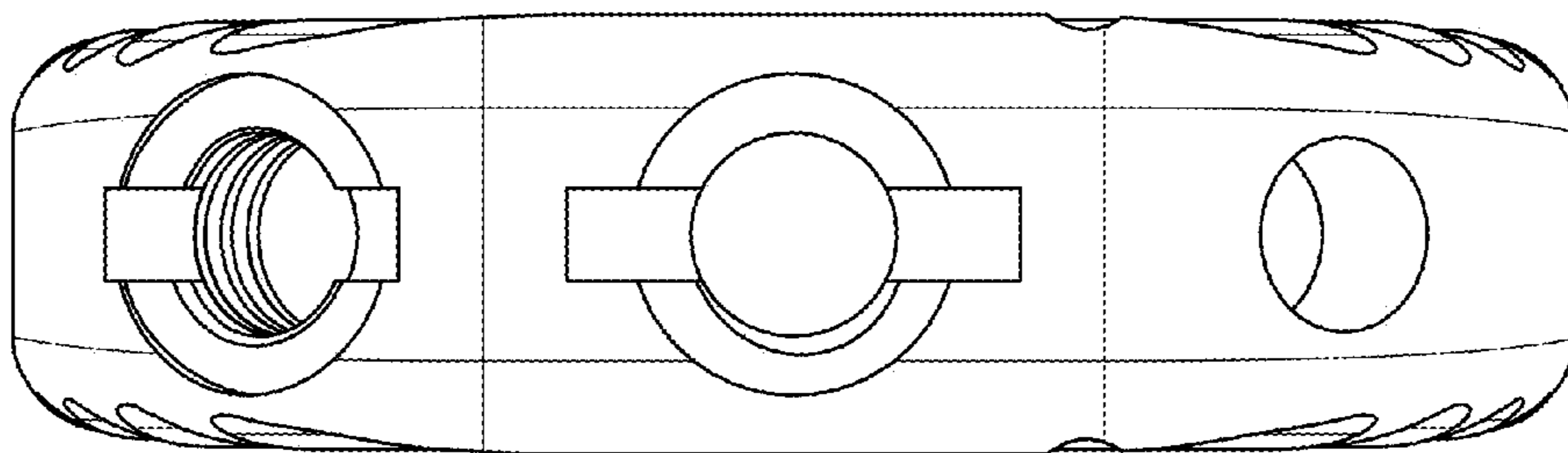


FIG. 5