



US00D708742S

(12) **United States Design Patent**
Dallemagne et al.

(10) **Patent No.:** **US D708,742 S**

(45) **Date of Patent:** **** Jul. 8, 2014**

(54) **HANDLE FOR MEDICAL DEVICE**

(71) Applicant: **Karl Storz GmbH & Co. KG,**
Tuttlingen (DE)

(72) Inventors: **Bernard Dallemagne,** Beauafys (BE);
Silvana Perretta, Strasbourg (FR);
Sebastian Wagner, Bretten (DE);
Sabine Zahler, Ebersberg (DE)

(73) Assignee: **Karl Storz GmbH & Co. KG,**
Tuttlingen (DE)

(**) Term: **14 Years**

(21) Appl. No.: **29/439,434**

(22) Filed: **Dec. 11, 2012**

(30) **Foreign Application Priority Data**

Jun. 12, 2012 (EM) 002055913-0003

(51) **LOC (10) Cl.** **24-02**

(52) **U.S. Cl.**
USPC **D24/133**

(58) **Field of Classification Search**
USPC D24/133, 137, 138, 143, 144, 145, 146,
D24/147, 148, 149; 606/1, 80, 85, 130, 139,
606/148, 167, 169, 170, 171, 174, 175, 176,
606/180, 205, 206; 604/22, 27; 600/104,
600/153, 154, 564

See application file for complete search history.

(56) **References Cited**

U.S. PATENT DOCUMENTS

D568,993 S * 5/2008 Melanson et al. D24/133
D604,844 S * 11/2009 Summerer et al. D24/133

D606,192 S * 12/2009 Summerer et al. D24/133
D609,809 S * 2/2010 Summerer et al. D24/138
D628,290 S * 11/2010 Romero D24/133
D631,155 S * 1/2011 Peine et al. D24/133
D636,872 S * 4/2011 Marescaux et al. D24/133
D640,789 S * 6/2011 Peine et al. D24/133
D650,073 S * 12/2011 Pedersen et al. D24/133
D650,480 S * 12/2011 Scholly D24/138
D658,759 S * 5/2012 Marescaux et al. D24/133
D693,466 S * 11/2013 Dallemagne et al. D24/144
2013/0237907 A1 * 9/2013 Bacher et al. 604/95.04

* cited by examiner

Primary Examiner — Bridget L Eland

(74) *Attorney, Agent, or Firm* — Muncy, Geissler, Olds & Lowe, P.C.

(57) **CLAIM**

The ornamental design for a handle for medical device, as shown and described.

DESCRIPTION

FIG. 1 is a left side elevational view of a handle for medical device according to the present invention.

FIG. 2 is a right side elevational view of the handle for medical device of FIG. 1.

FIG. 3 is a front elevational view of the handle for medical device of FIG. 1.

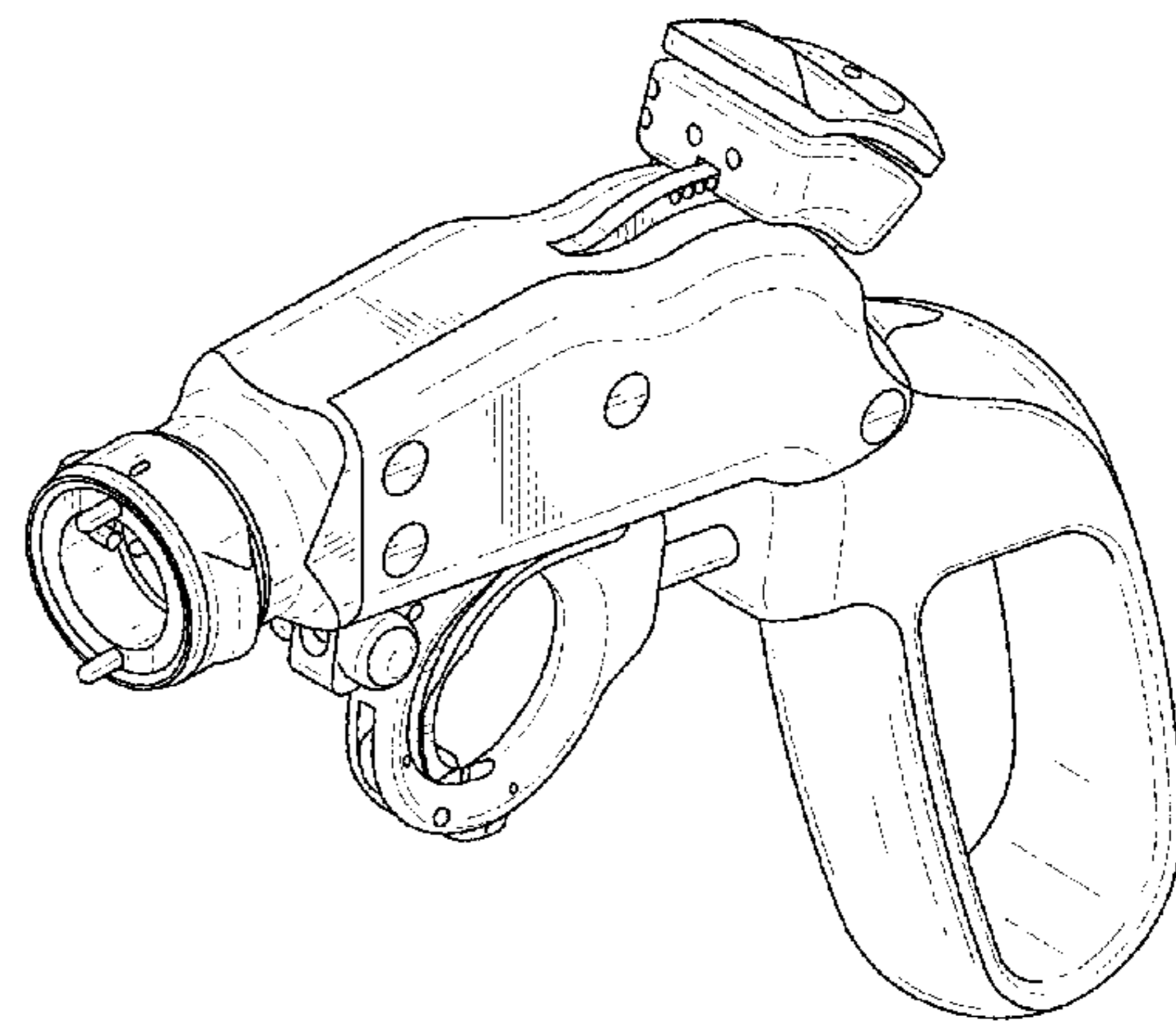
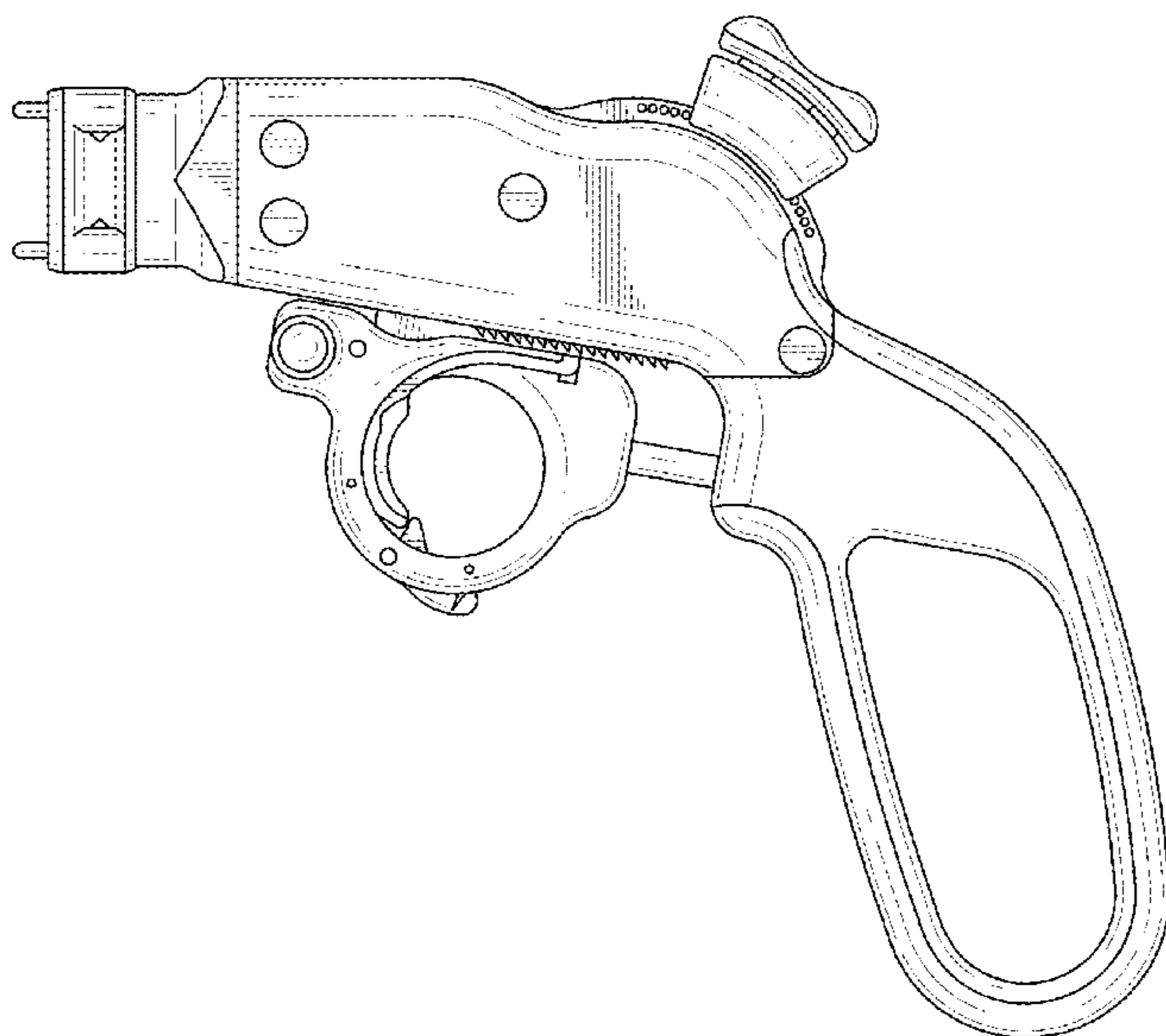
FIG. 4 is a rear elevational view of the handle for medical device of FIG. 1.

FIG. 5 is a top plan view of the handle for medical device of FIG. 1.

FIG. 6 is a bottom plan view of the handle for medical device of FIG. 1; and,

FIG. 7 is a perspective view of the handle for medical device of FIG. 1.

1 Claim, 7 Drawing Sheets



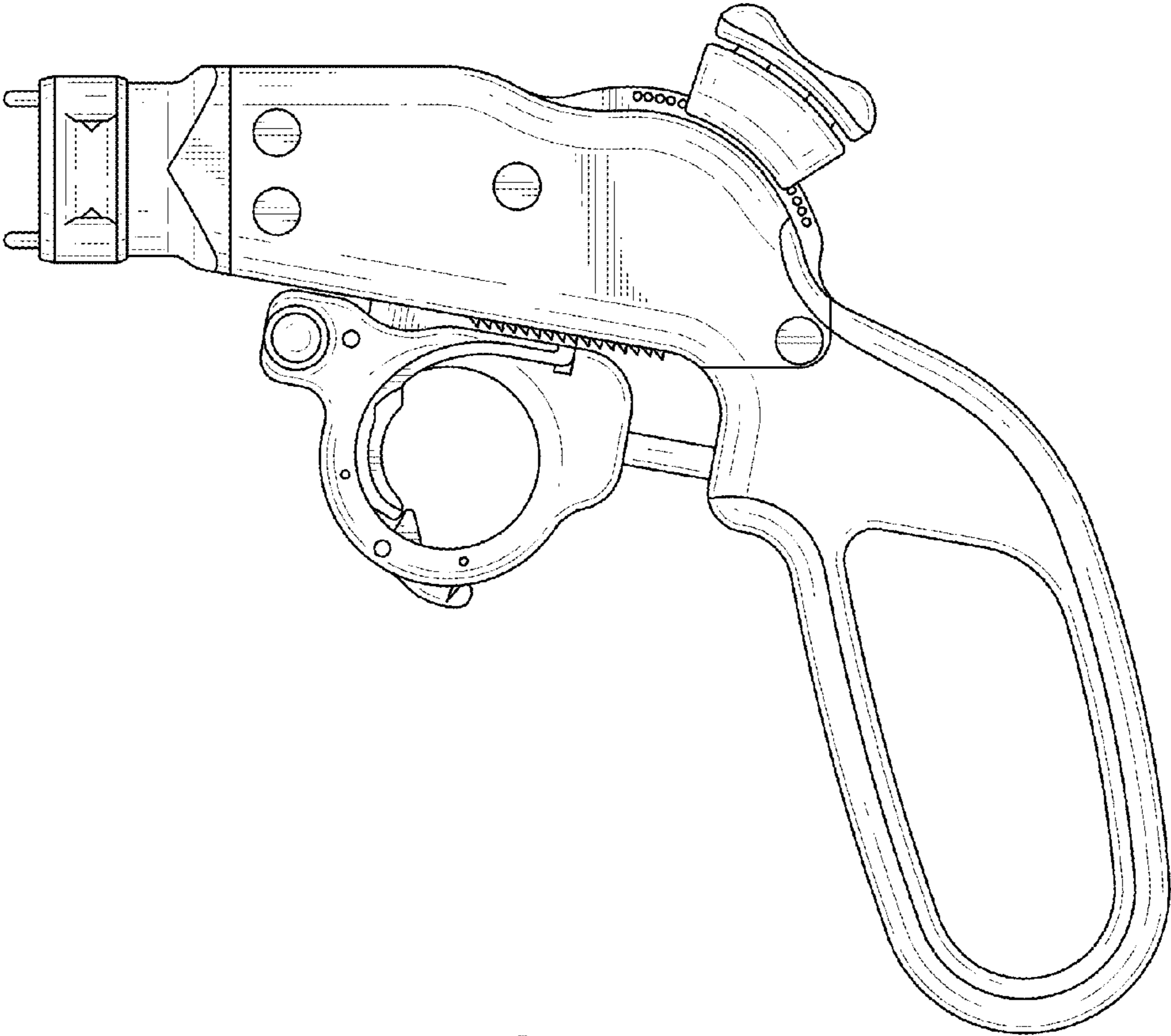


FIG. 1

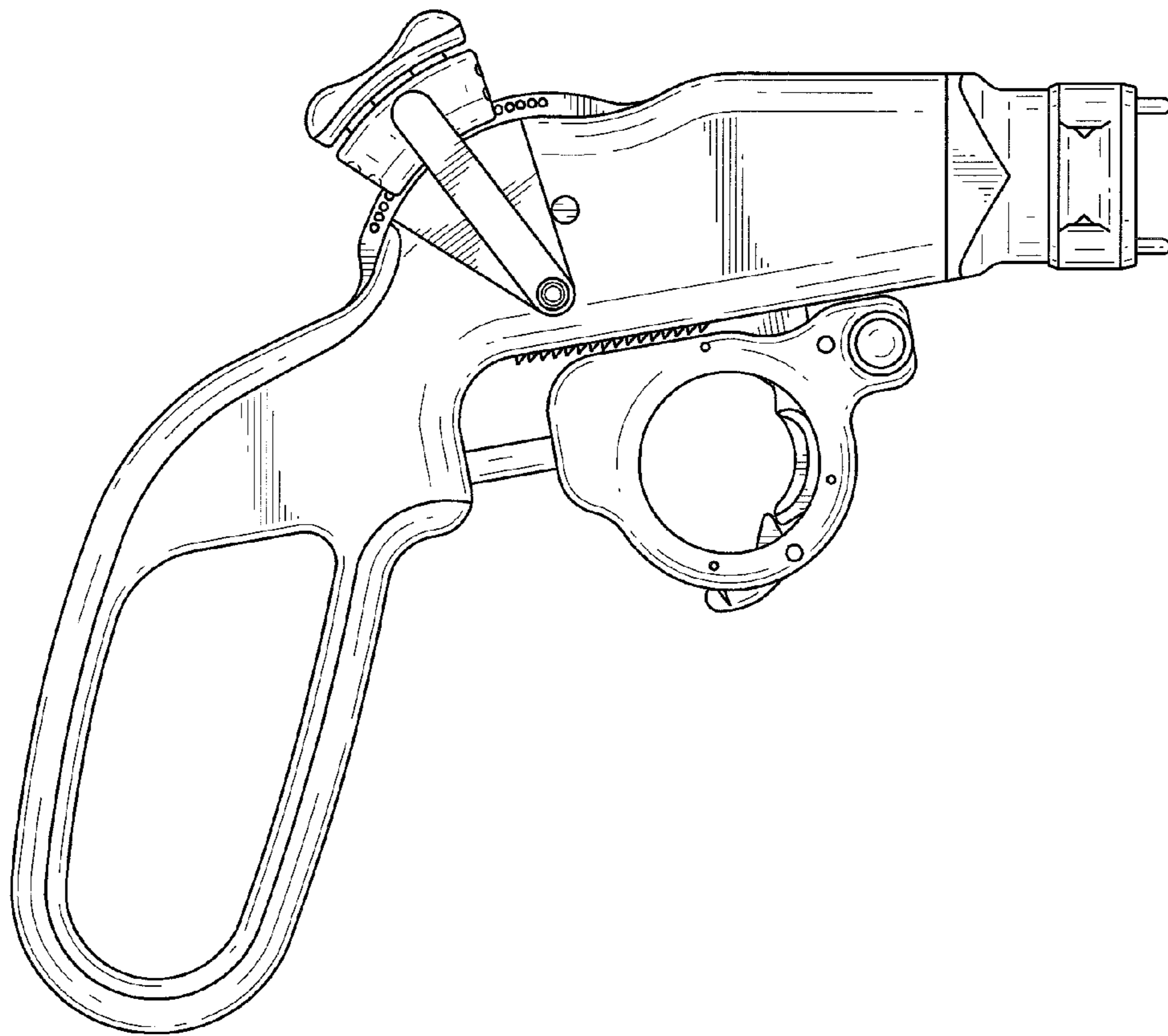


FIG.2

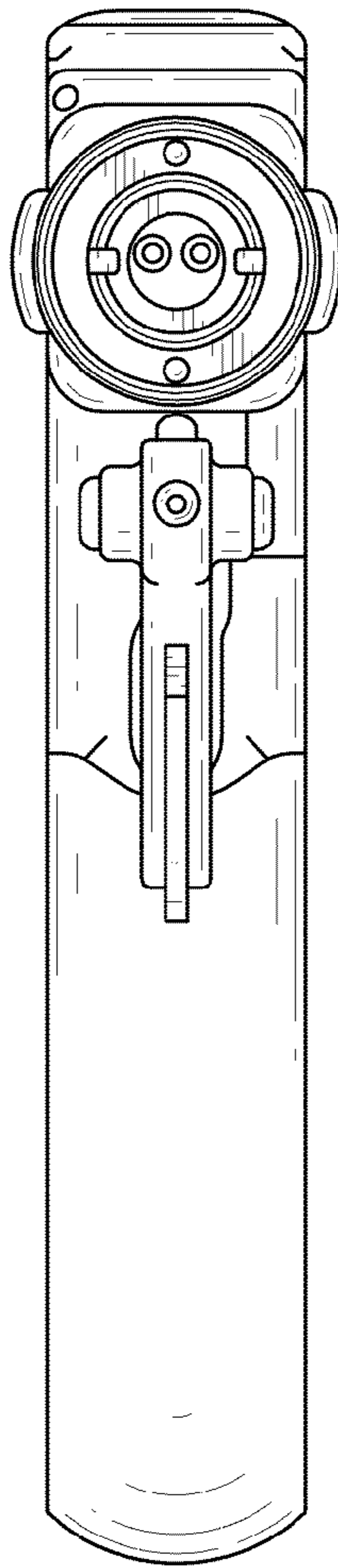


FIG.3

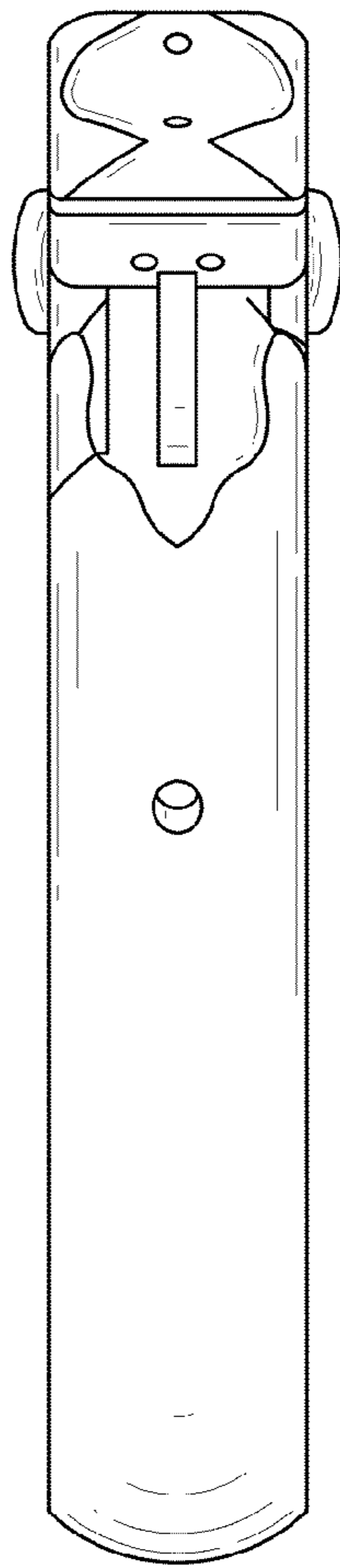


FIG.4

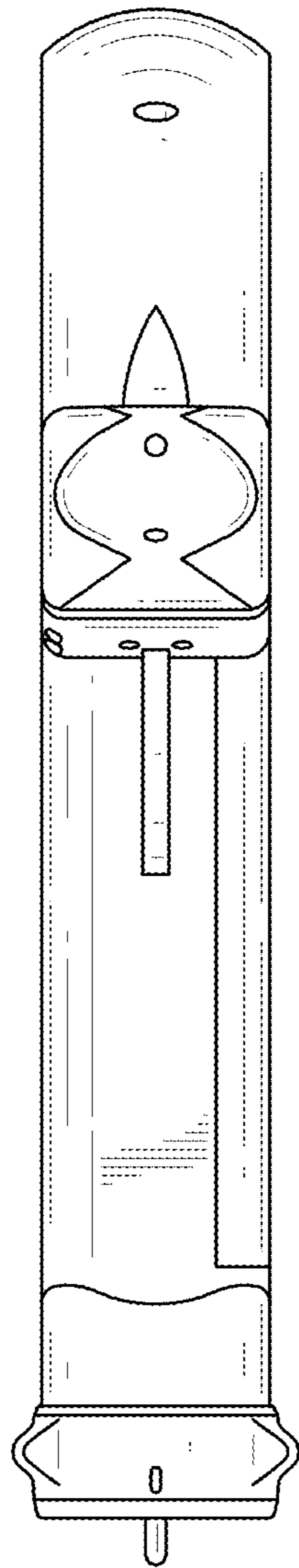


FIG.5

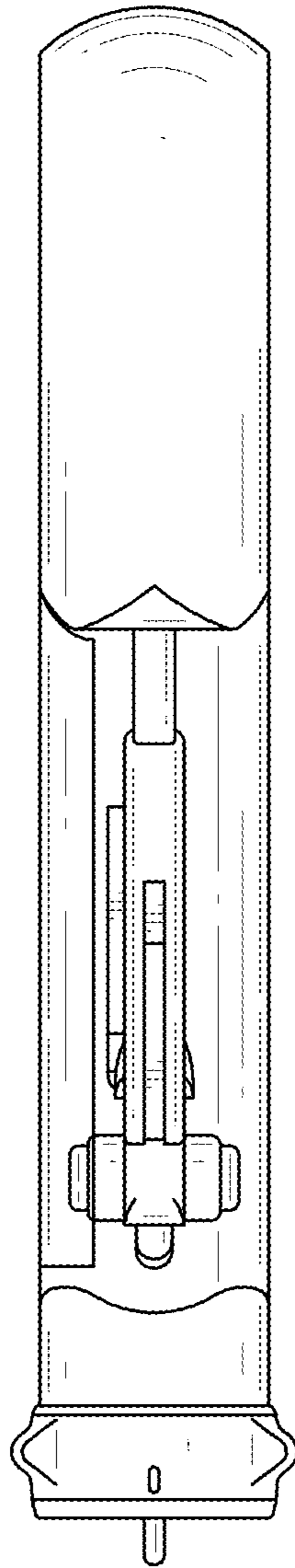


FIG.6

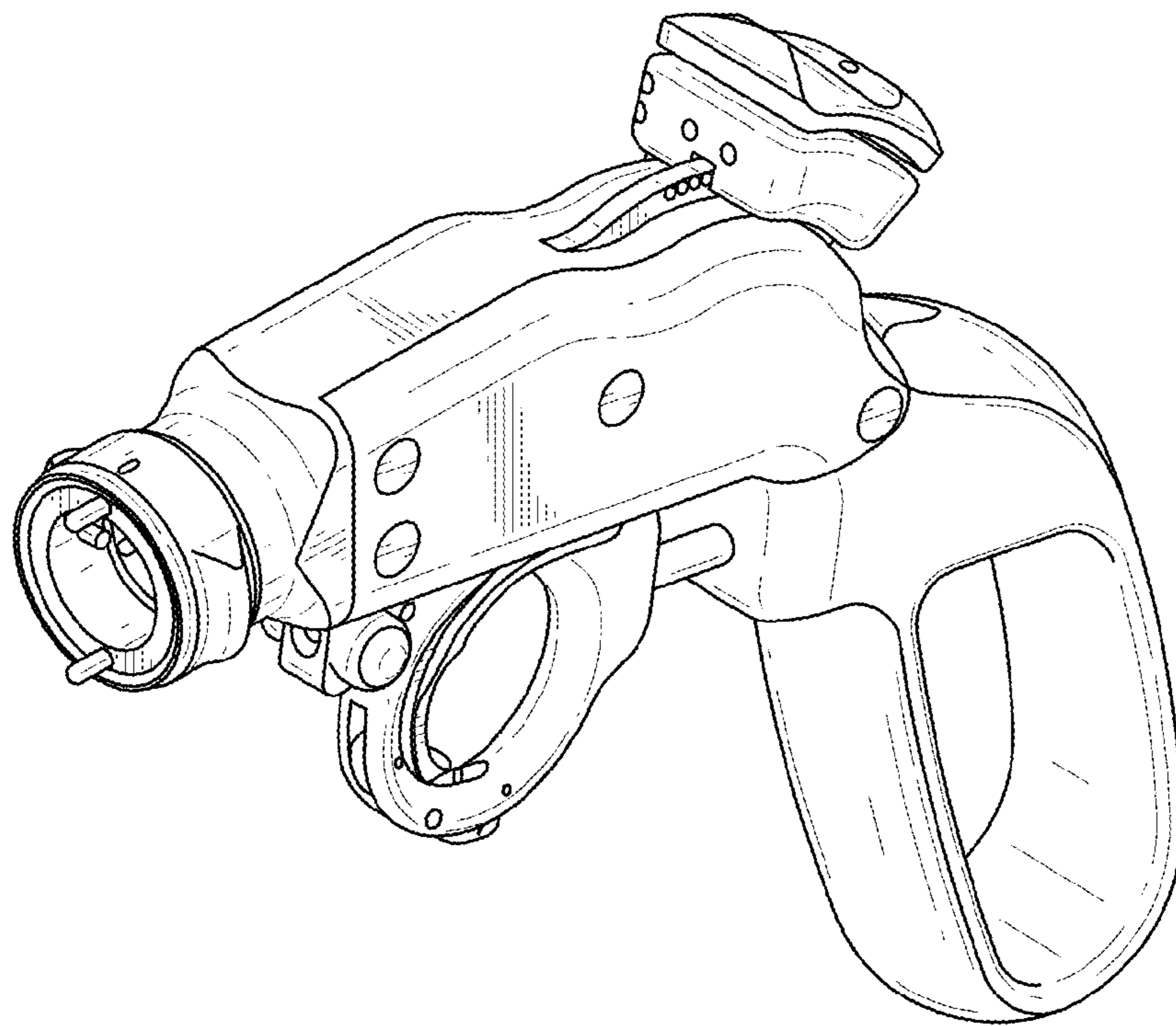


FIG.7