



US00D708740S

(12) **United States Design Patent**
Osyka et al.

(10) **Patent No.:** **US D708,740 S**
(45) **Date of Patent:** **** Jul. 8, 2014**

(54) **STEERABLE GUIDING SHEATH HANDLE**

(71) Applicant: **Oscor Inc.**, Palm Harbor, FL (US)

(72) Inventors: **Thomas P. Osypka**, Palm Harbor, FL (US); **Michael John Gelineau**, Odessa, FL (US)

(73) Assignee: **Oscor Inc.**, Palm Harbor, FL (US)

(**) Term: **14 Years**

(21) Appl. No.: **29/460,328**

(22) Filed: **Jul. 10, 2013**

(51) **LOC (10) Cl.** **24-02**

(52) **U.S. Cl.**
USPC **D24/127**

(58) **Field of Classification Search**
USPC D24/127-131, 112-114, 133, 186;
606/181, 185; 604/264, 272, 115, 232,
604/187, 158, 164.08, 192, 263, 163, 181,
604/184, 198, 227; 600/101, 139, 143;
128/200.24, 207.14, 207.15
See application file for complete search history.

(56) **References Cited**

U.S. PATENT DOCUMENTS

4,240,411 A * 12/1980 Hosono D24/129
5,984,907 A * 11/1999 McGee et al. 604/525
6,485,411 B1 * 11/2002 Konstorum et al. 600/139

6,527,749 B1 * 3/2003 Roby et al. 604/187
D484,244 S * 12/2003 Starnes D24/130
6,716,196 B2 * 4/2004 Lesh et al. 604/264
7,104,972 B2 * 9/2006 Moller et al. 604/232
7,717,115 B2 * 5/2010 Barrett et al. 128/207.14
8,317,771 B2 * 11/2012 Mittelberg et al. 604/506
D677,380 S * 3/2013 Julian et al. D24/113
D686,321 S * 7/2013 Essinger et al. D24/130
8,585,586 B2 * 11/2013 Yamaguchi et al. 600/160
8,597,179 B2 * 12/2013 Kokubo 600/169

* cited by examiner

Primary Examiner — David Muller

(74) *Attorney, Agent, or Firm* — Edwards Wildman Palmer LLP; Scott D. Wofsy

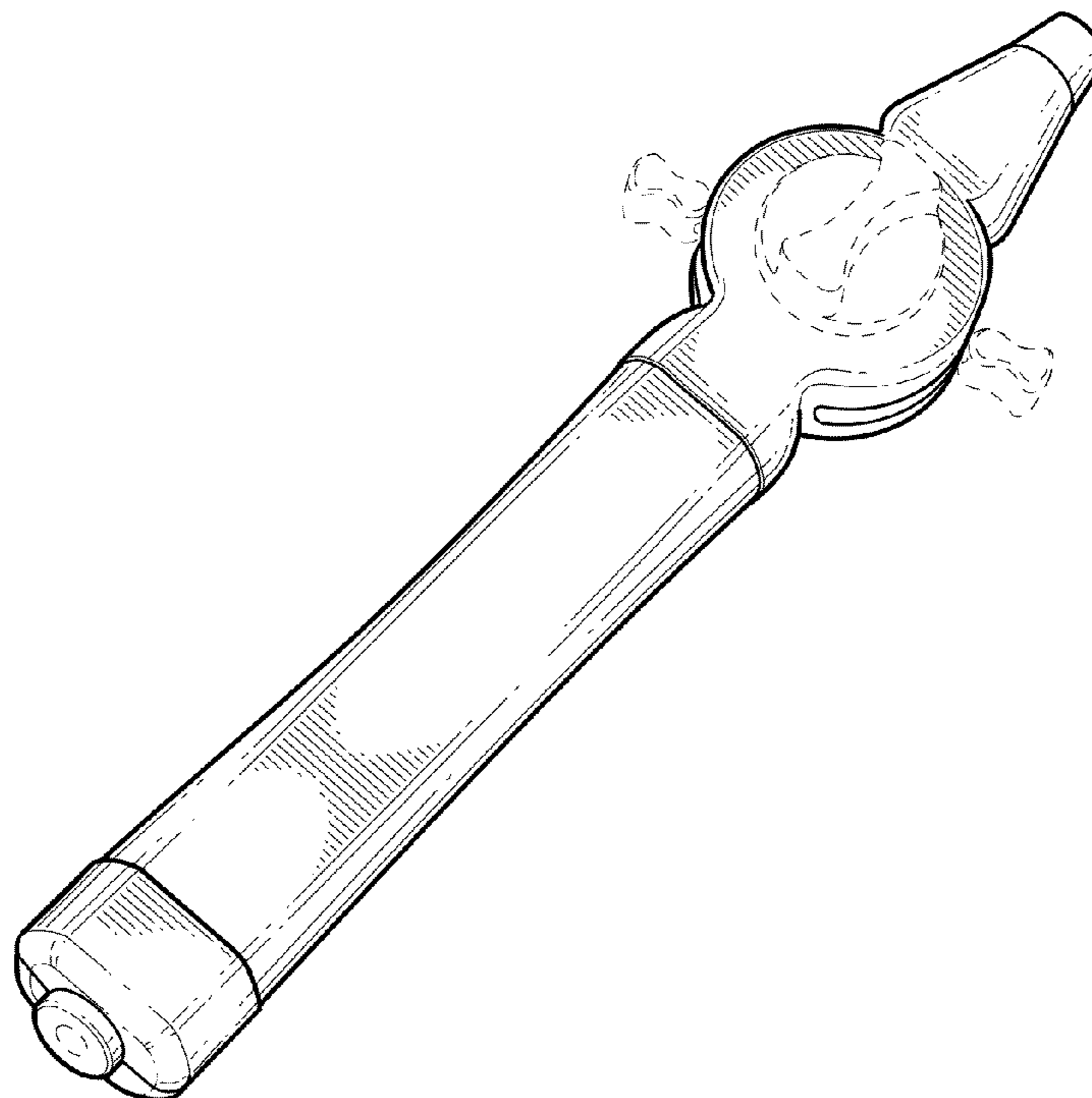
(57) **CLAIM**

The ornamental design for a steerable guiding sheath handle, as shown and described.

DESCRIPTION

FIG. 1 is a perspective view of the steerable guiding sheath handle;
FIG. 2 is a top plan view thereof;
FIG. 3 is a left side elevation view thereof;
FIG. 4 is a right side elevation view thereof;
FIG. 5 is a front elevation view thereof;
FIG. 6 is a rear elevation view thereof; and,
FIG. 7 is a bottom plan view thereof.
The features shown in broken lines depict environmental subject matter only and form no part of the claimed design.

1 Claim, 3 Drawing Sheets



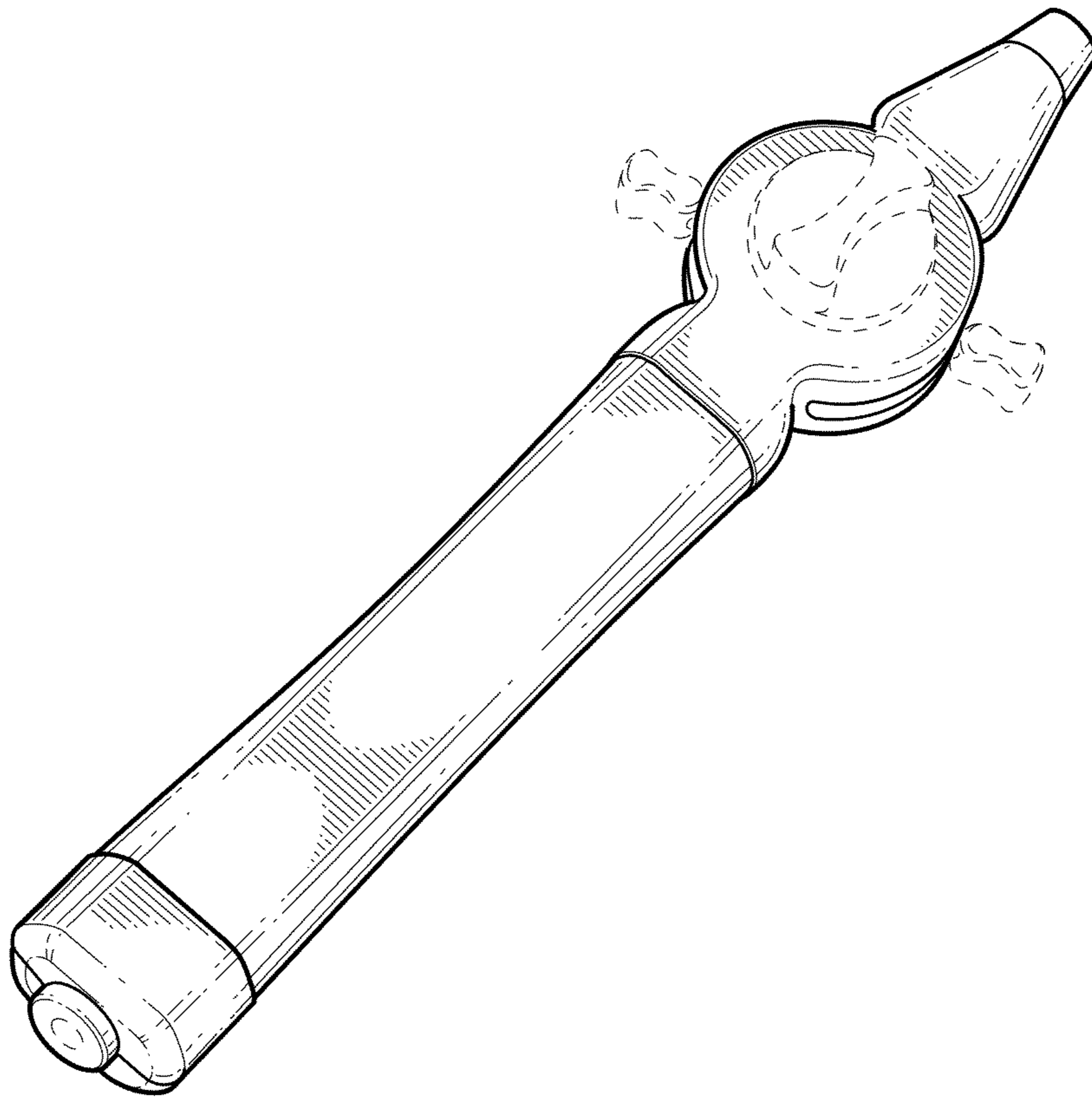


FIG. 1

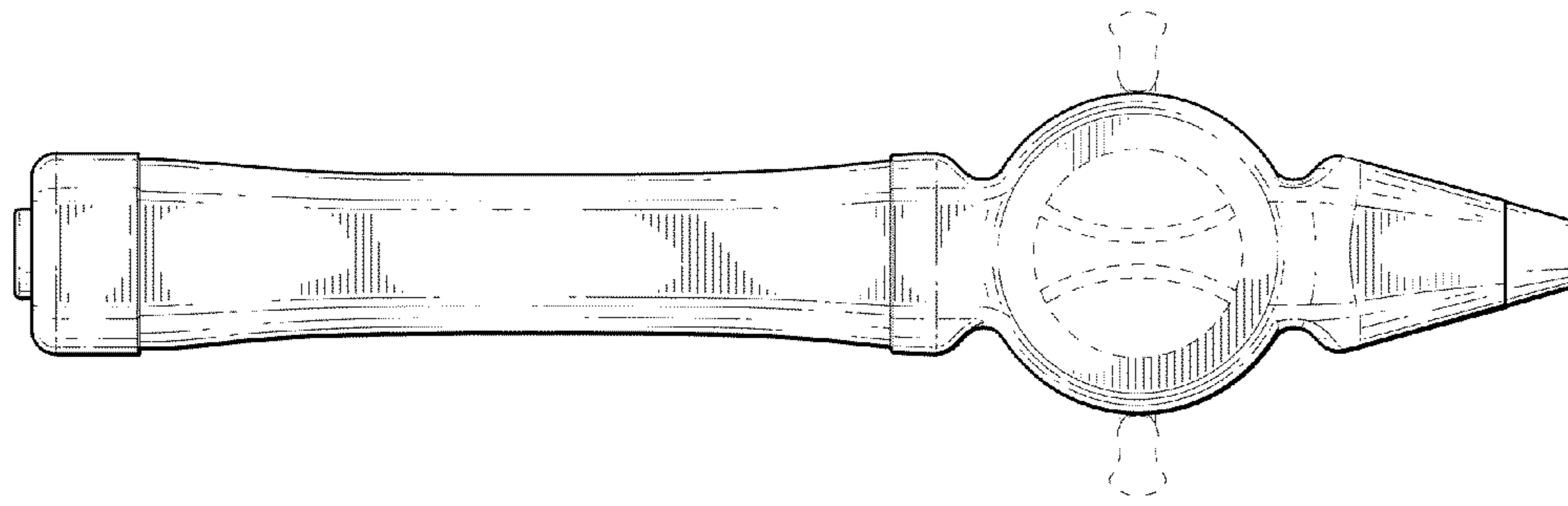


FIG. 2

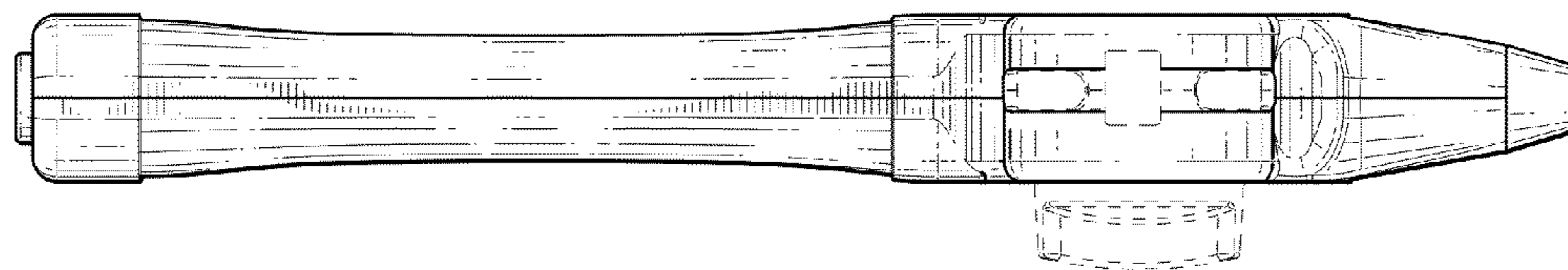


FIG. 3

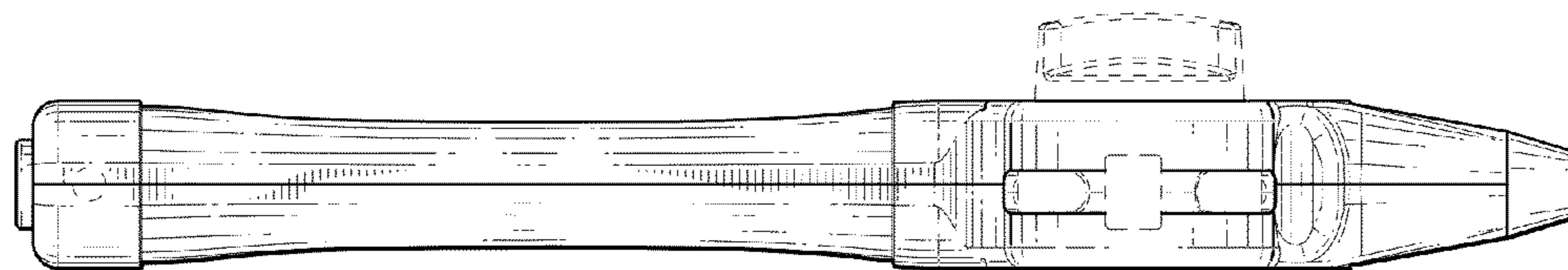


FIG. 4

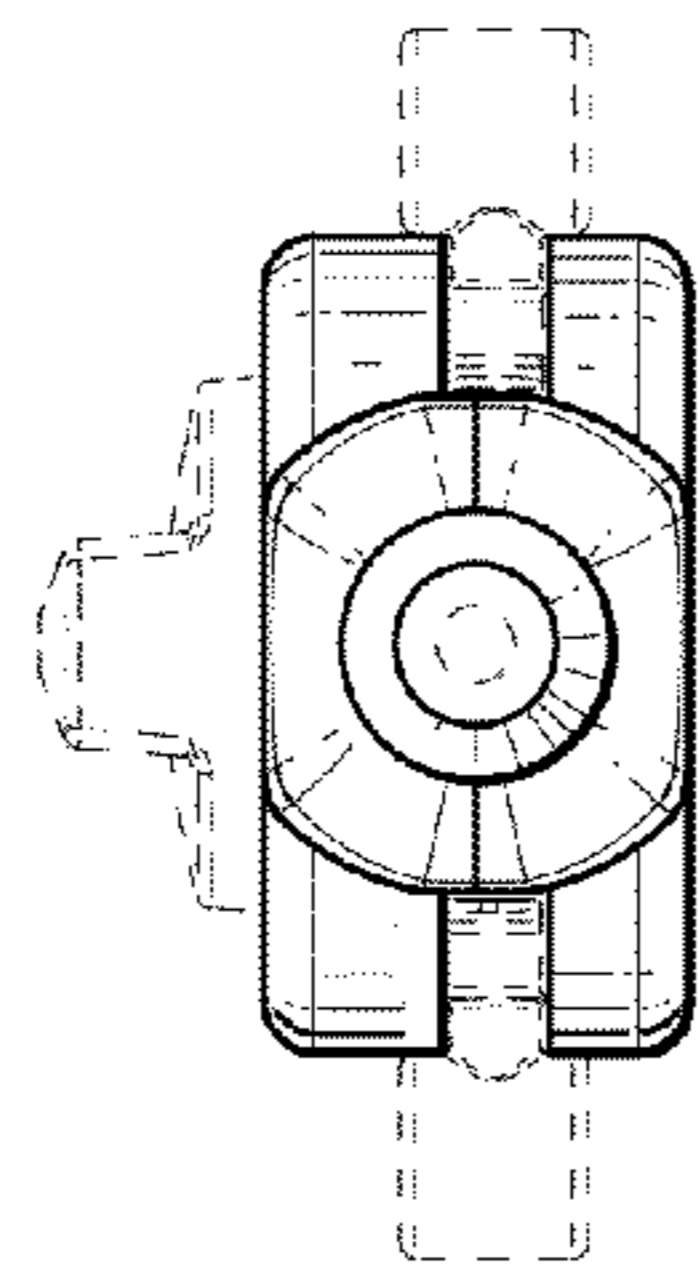


FIG. 5

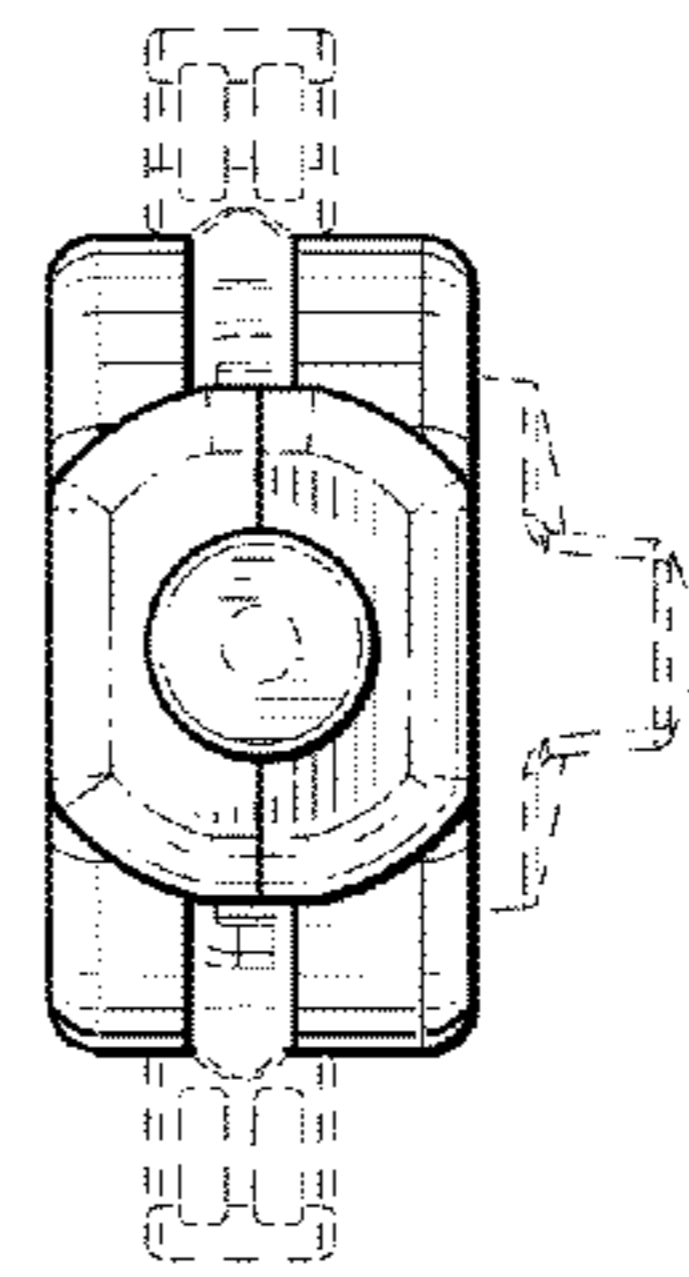


FIG. 6

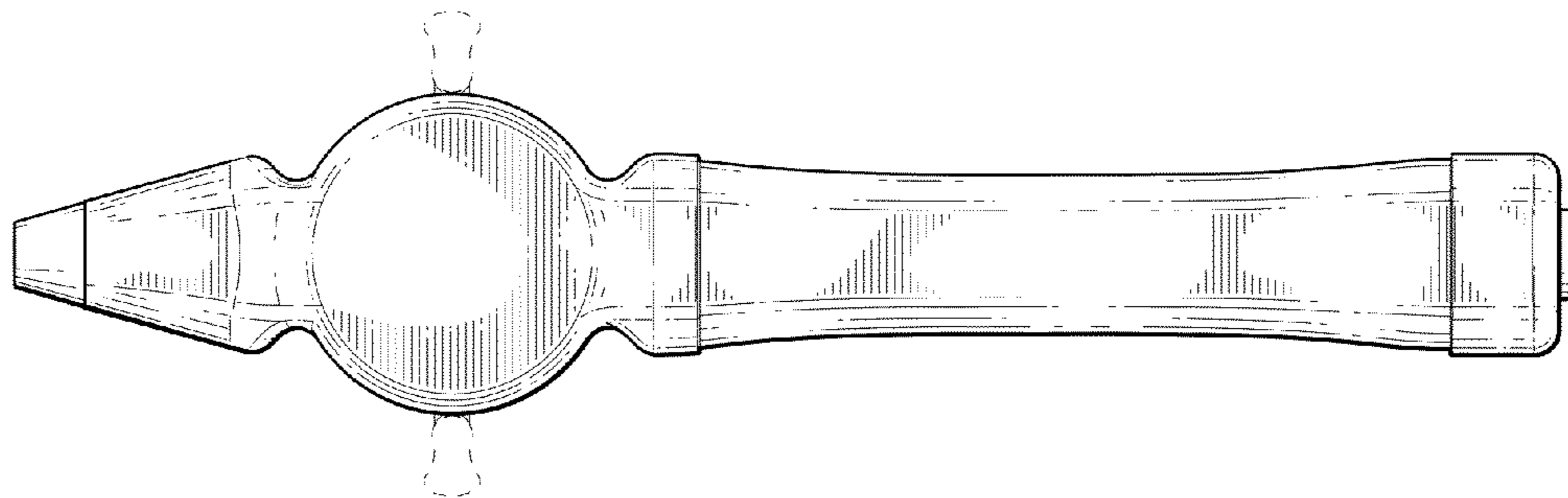


FIG. 7