



US00D708738S

(12) **United States Design Patent**  
**Berman et al.**

(10) **Patent No.:** **US D708,738 S**  
(45) **Date of Patent:** **\*\* Jul. 8, 2014**

(54) **BIOMATERIAL DELIVERY DEVICE**

4,356,941 A 11/1982 McRoskey et al.  
D270,183 S \* 8/1983 Govenius ..... D24/112  
4,468,218 A \* 8/1984 Armstrong ..... 604/264

(71) Applicant: **Medtronic Xomed, Inc.**, Jacksonville,  
FL (US)

(Continued)

(72) Inventors: **Phillip J. Berman**, Jacksonville, FL  
(US); **Matthew J. Friend**, Jacksonville,  
FL (US); **Ethan G. Sherman**,  
Jacksonville, FL (US)

FOREIGN PATENT DOCUMENTS

CN 201643226 11/2010  
EP 0 405 320 A2 1/1991

(Continued)

(73) Assignee: **Medtronix Xomed, Inc.**, Jacksonville,  
FL (US)

OTHER PUBLICATIONS

Arista® Absorbable Hemostatic Particles AH Product Information  
Sheets, Medafor Hemostatic Polymer Technologies, 3 pages down-  
loaded from <http://www.medafor.com/products/arista.aspx> on May  
2, 2012.

(Continued)

(\*\*) Term: **14 Years**

*Primary Examiner* — David Muller

(21) Appl. No.: **29/447,079**

(74) *Attorney, Agent, or Firm* — IPLM Group, P.A.

(22) Filed: **Feb. 28, 2013**

(51) **LOC (10) Cl.** ..... **24-02**

(52) **U.S. Cl.**  
USPC ..... **D24/112**

(58) **Field of Classification Search**  
USPC ..... D24/112-114, 130, 127, 133, 186, 108,  
D24/176; 606/92, 93, 181, 185; 604/218,  
604/264, 272, 115, 164.01-164.09, 533,  
604/232, 187, 168.01, 192, 19, 48, 93.01,  
604/523, 524, 526; 600/101, 139, 143;  
128/200.24, 207.14, 207.15; 433/80,  
433/89, 90

See application file for complete search history.

(57) **CLAIM**

The ornamental design for a biomaterial delivery device, as  
shown and described.

**DESCRIPTION**

FIG. 1 is a top perspective view of a biomaterial delivery  
device showing our new design;  
FIG. 2 is a bottom perspective view thereof;  
FIG. 3 is a left side view thereof;  
FIG. 4 is a right side view thereof;  
FIG. 5 is a top plan view thereof;  
FIG. 6 is a bottom plan view thereof;  
FIG. 7 is a front view thereof; and,  
FIG. 8 is a back view thereof.

The shade lines in the Figures show contour and not surface  
ornamentation.

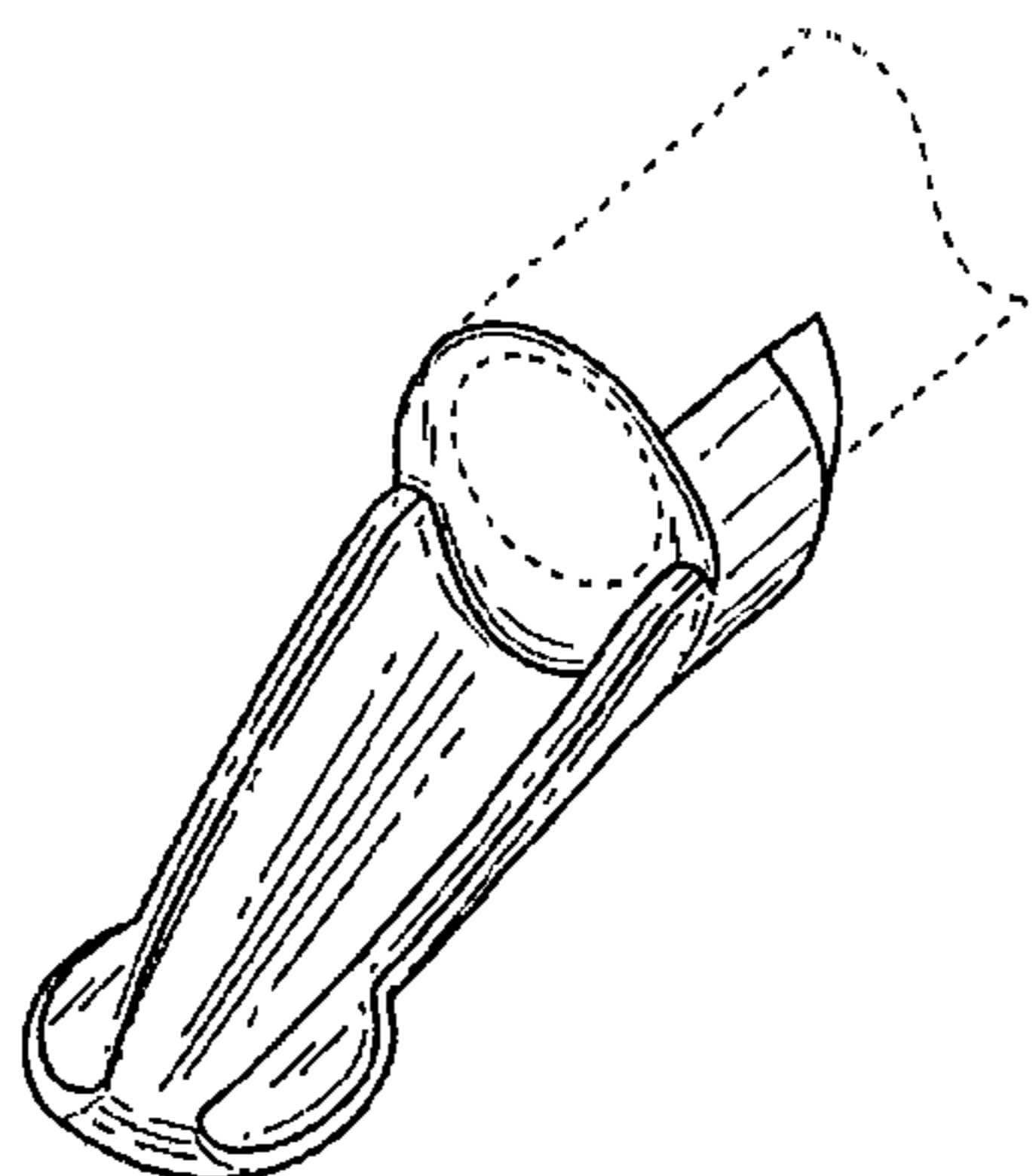
The broken lines in the Figures show portions of the bioma-  
terial delivery device which form no part of the claimed  
design.

(56) **References Cited**

U.S. PATENT DOCUMENTS

1,642,950 A 9/1927 Haas  
2,151,418 A 3/1939 Bolte  
2,664,891 A 1/1954 Kempel  
2,672,144 A 3/1954 Cohen  
2,754,590 A 7/1956 Cohen  
4,015,753 A 4/1977 Bennett  
4,261,488 A 4/1981 Bennett  
4,307,823 A 12/1981 Heiss et al.

**1 Claim, 1 Drawing Sheet**



(56)

References Cited

U.S. PATENT DOCUMENTS

4,515,586 A 5/1985 Mendenhall et al.  
 4,769,011 A 9/1988 Swaniger  
 4,776,704 A 10/1988 Kopunek et al.  
 4,801,008 A 1/1989 Rich  
 4,801,263 A 1/1989 Clark  
 4,963,093 A 10/1990 Dragan  
 D331,970 S \* 12/1992 Creamer, Jr. .... D24/176  
 5,181,918 A 1/1993 Braudhorst et al.  
 5,244,388 A 9/1993 Frush  
 5,322,440 A 6/1994 Steele  
 D368,963 S \* 4/1996 Gomes ..... D24/176  
 5,520,174 A \* 5/1996 Evans et al. .... 128/207.14  
 5,554,136 A \* 9/1996 Luther ..... 604/264  
 D374,932 S \* 10/1996 Engelman ..... D24/176  
 5,758,967 A 6/1998 King  
 5,800,059 A 9/1998 Cooke et al.  
 5,816,804 A 10/1998 Fischer  
 6,013,050 A 1/2000 Bellhouse et al.  
 6,059,570 A 5/2000 Dragan et al.  
 6,099,307 A 8/2000 Discko, Jr.  
 6,210,377 B1 \* 4/2001 Ouchi ..... 604/264  
 6,238,212 B1 5/2001 Khachatoorian et al.  
 RE37,760 E 6/2002 Mathison et al.  
 6,585,511 B2 7/2003 Dragan et al.  
 6,682,348 B2 1/2004 Lawter et al.  
 6,976,842 B1 12/2005 Miggantz  
 7,040,893 B2 5/2006 Fischer

7,207,967 B1 4/2007 Bellhouse et al.  
 D554,264 S \* 10/2007 Watson et al. .... D24/186  
 7,357,789 B2 4/2008 Bills  
 7,547,292 B2 6/2009 Sheldrake et al.  
 D603,113 S \* 10/2009 Morton ..... D7/691  
 7,834,065 B2 11/2010 Nakajima et al.  
 D655,812 S \* 3/2012 Ramini et al. .... D24/127  
 D685,087 S \* 6/2013 Voic ..... D24/133  
 2002/0119417 A1 8/2002 Ashman  
 2005/0155901 A1 7/2005 Krueger et al.  
 2006/0100572 A1 \* 5/2006 DiMatteo et al. .... 604/264  
 2008/0281289 A1 11/2008 Lewis

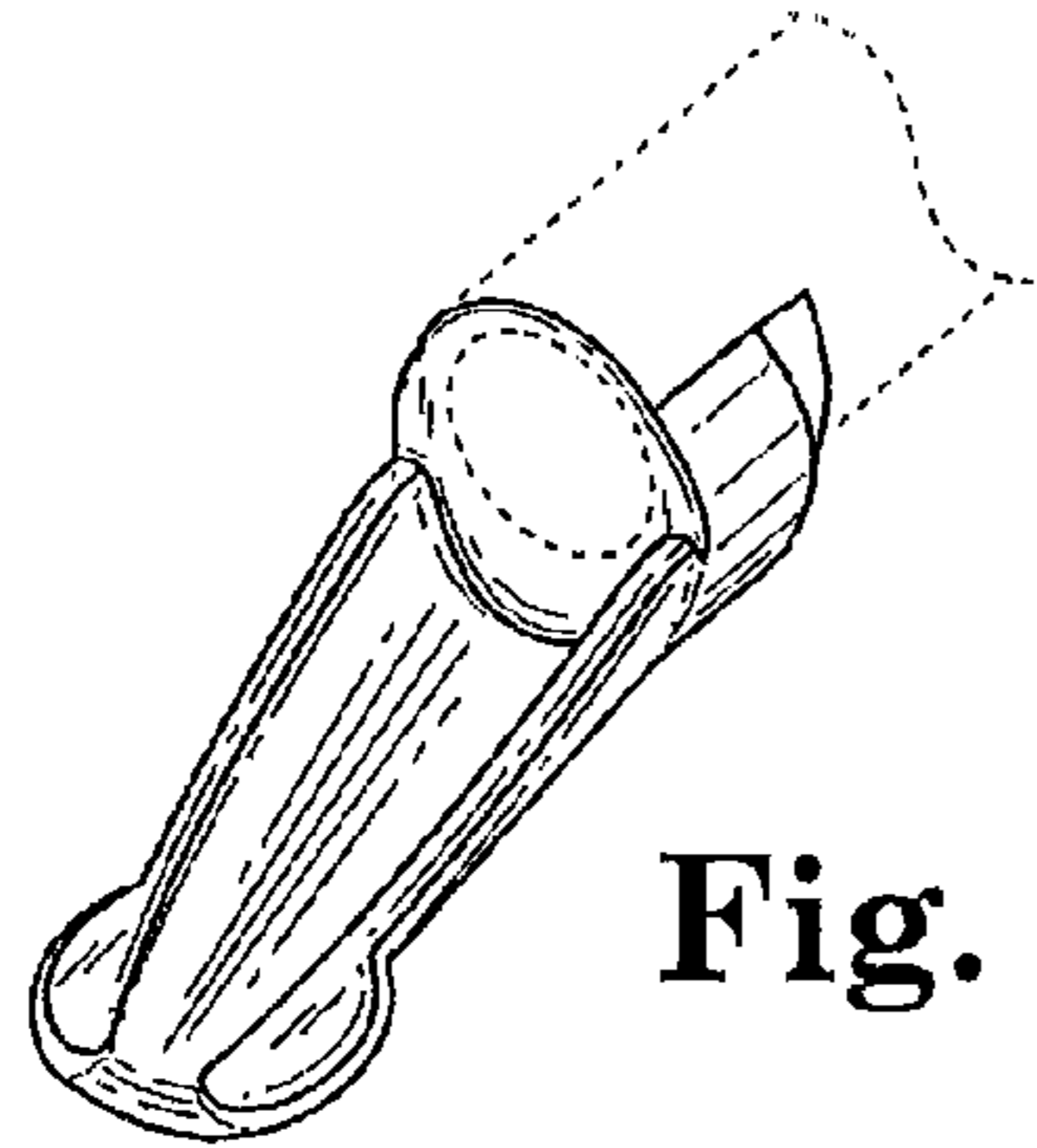
FOREIGN PATENT DOCUMENTS

EP 1 093 767 B1 3/2005  
 FR 2 787 717 6/2000  
 GB 628675 9/1949  
 GB 761588 11/1956  
 GB 1127201 9/1968  
 GB 357180 9/1981  
 JP 10 263421 A 10/1998  
 JP 2009-131629 A 6/2009  
 WO WO 2004/043533 A2 5/2004

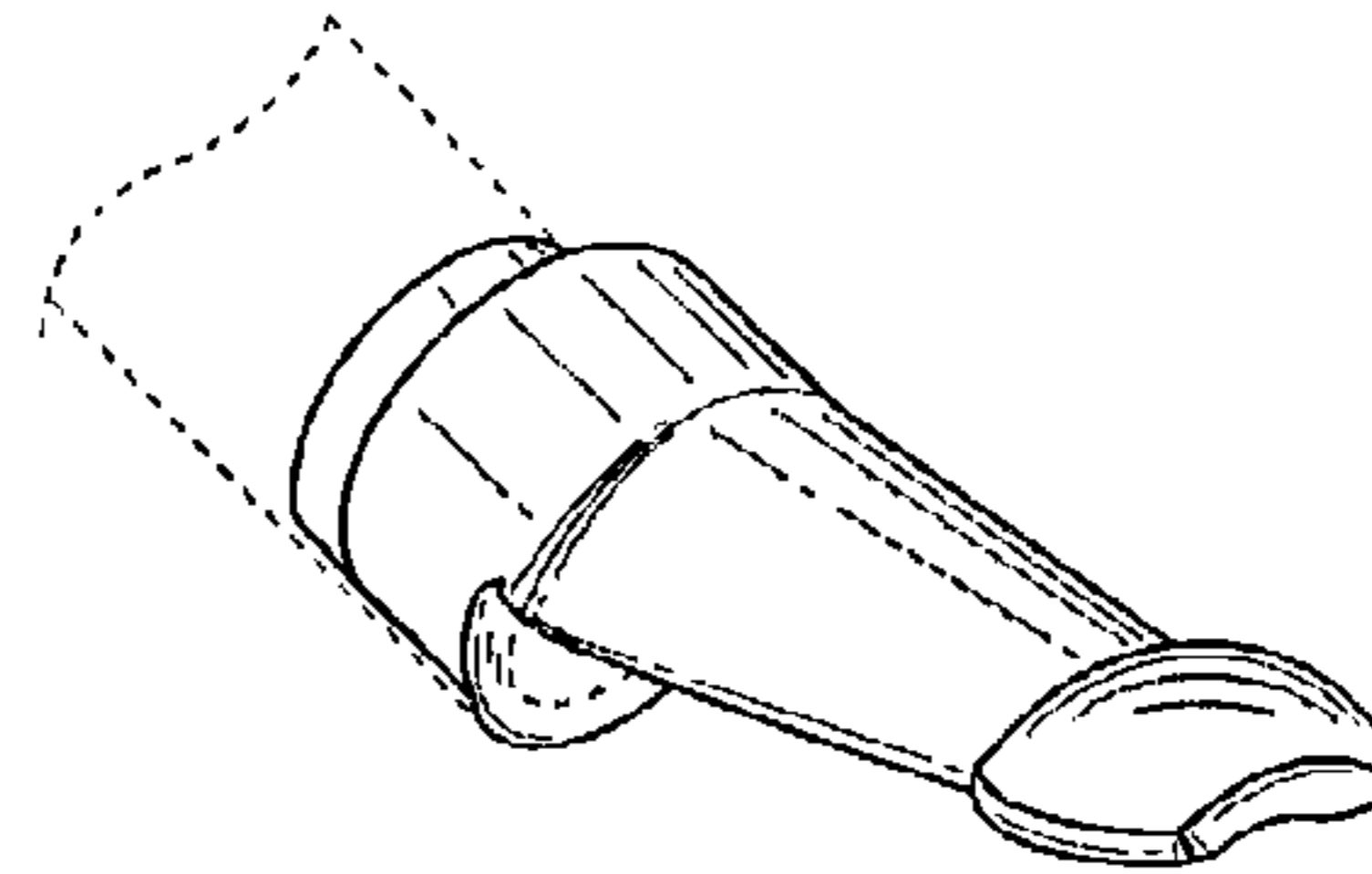
OTHER PUBLICATIONS

DryPette® Hand Held Manual Powder Dispensing System, Product Information Sheets, Zinsser Analytic, 4 pages (2009).

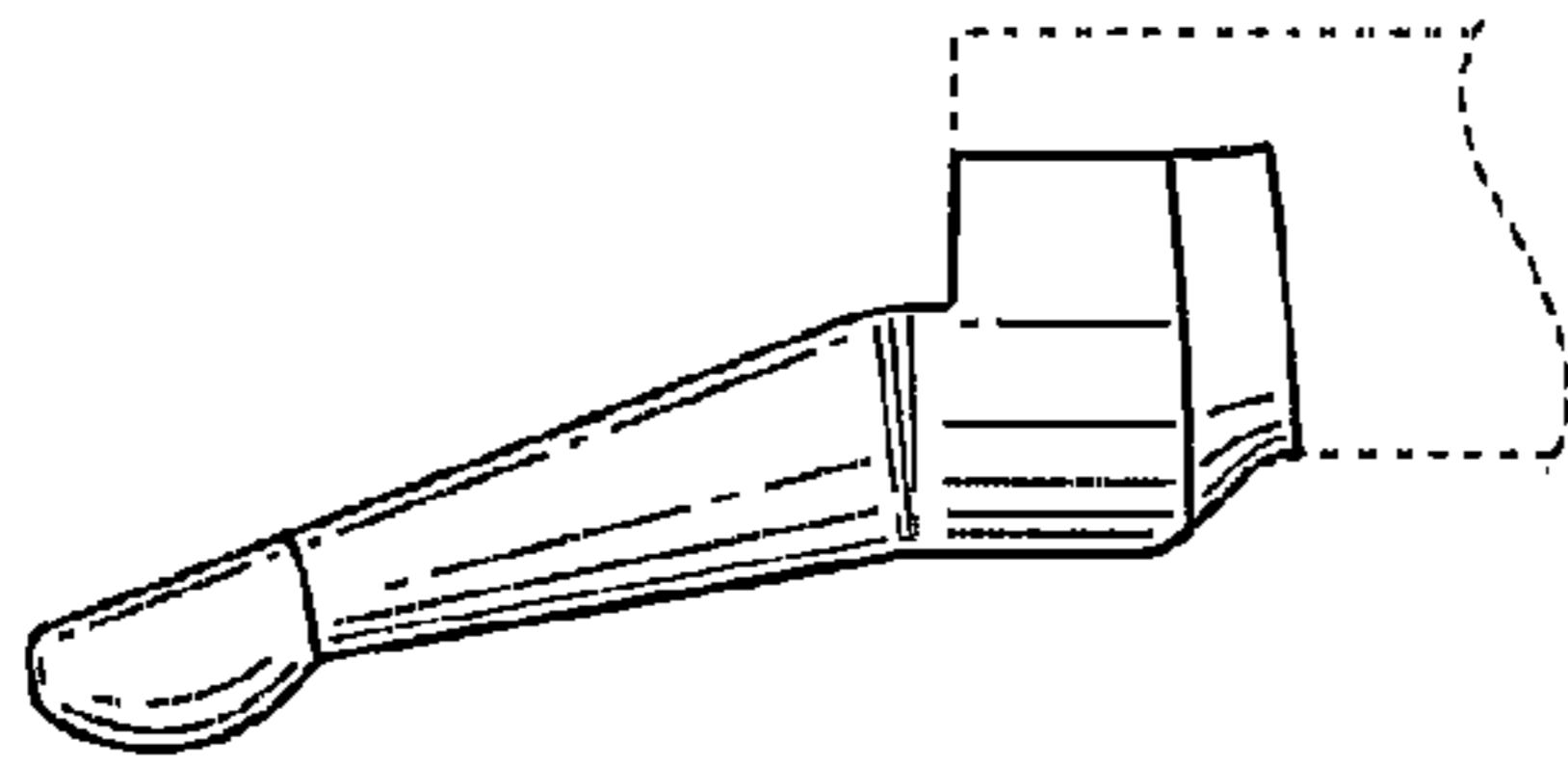
\* cited by examiner



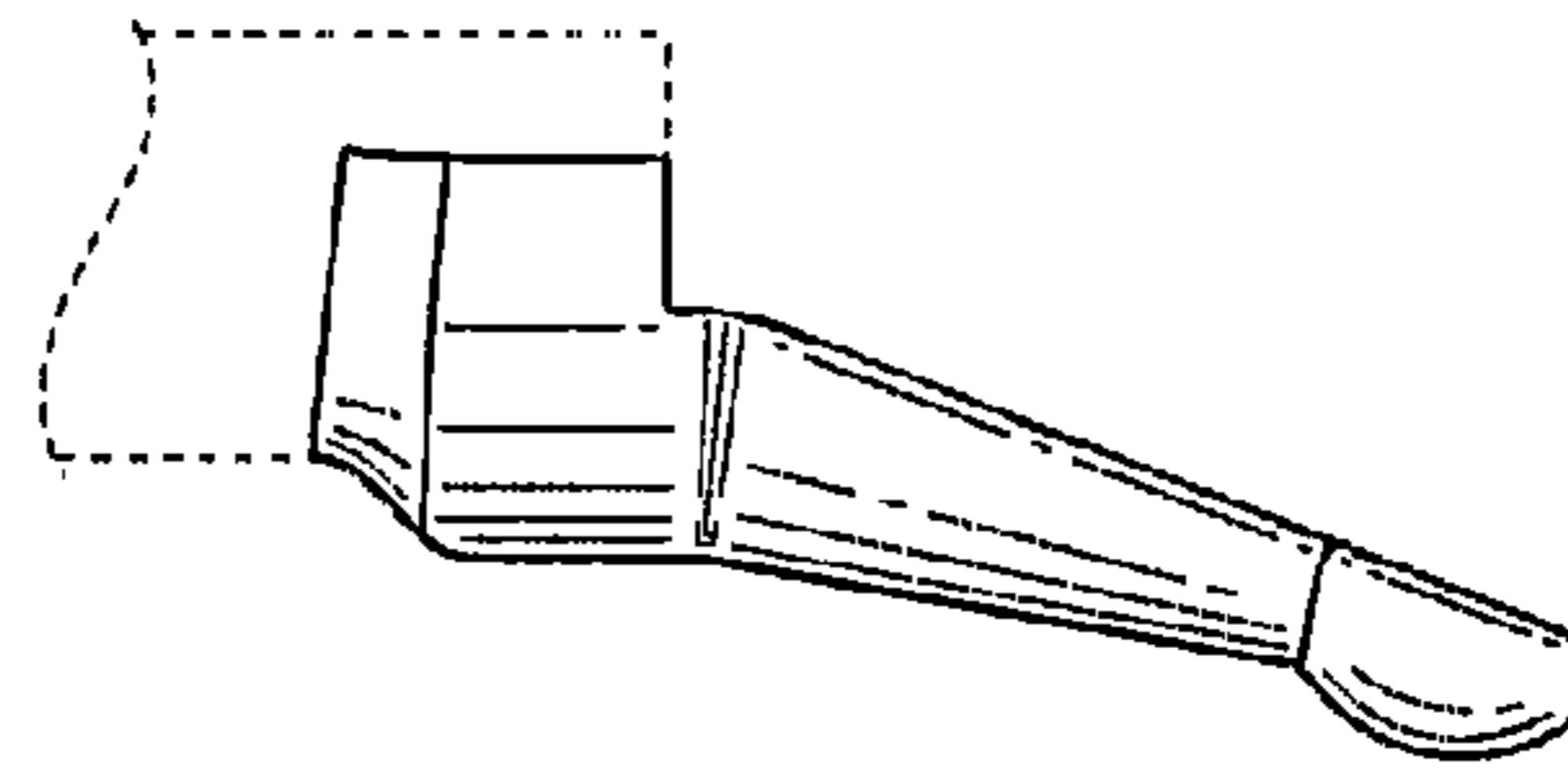
**Fig. 1**



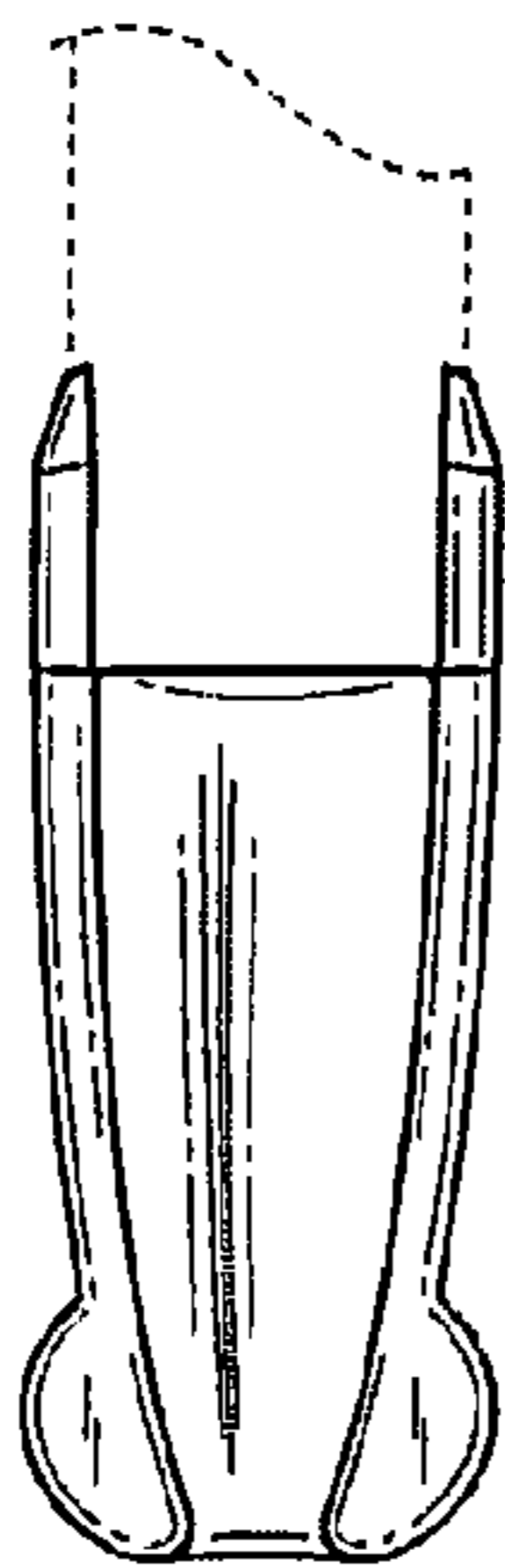
**Fig. 2**



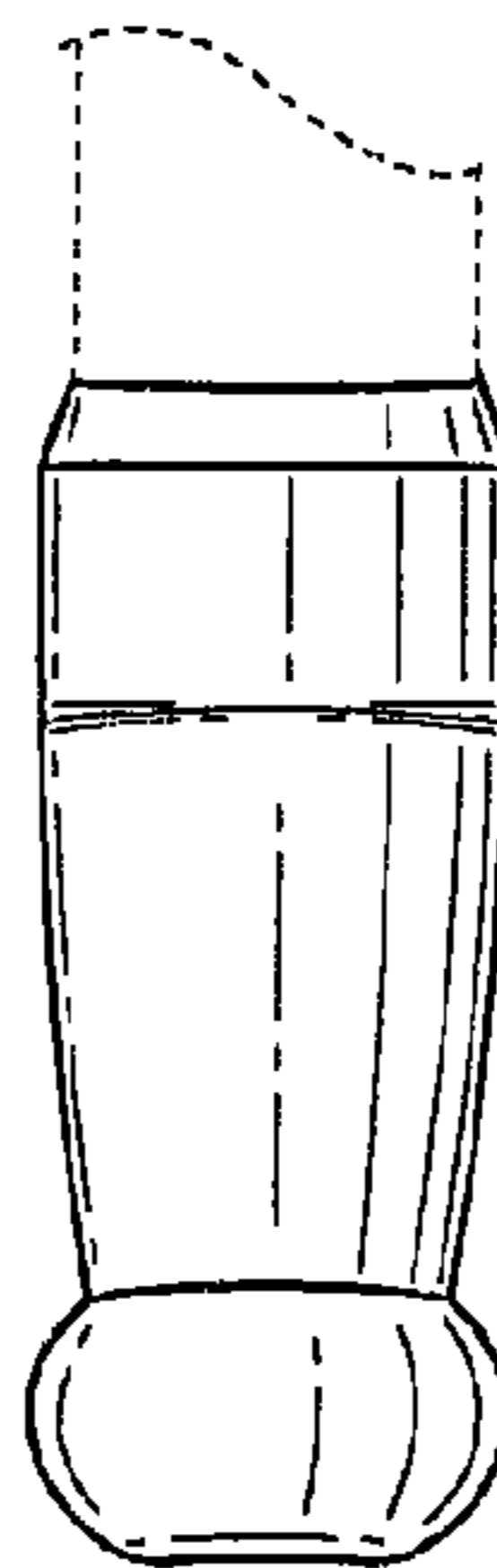
**Fig. 3**



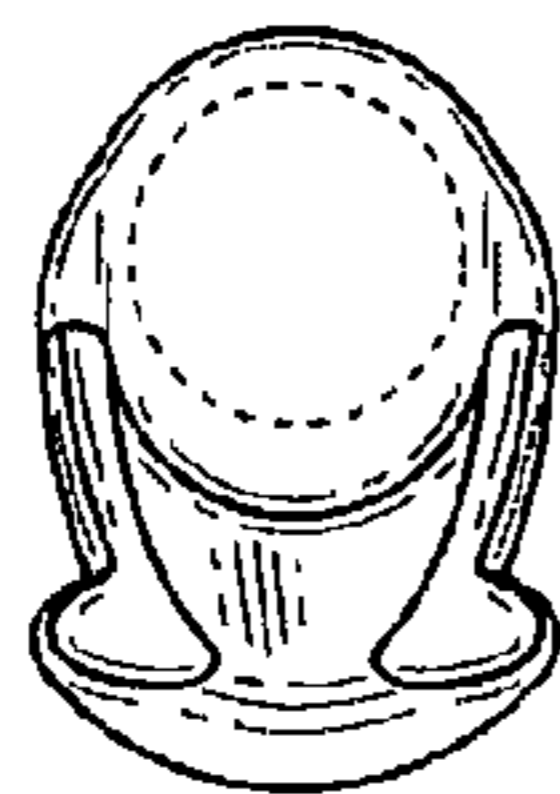
**Fig. 4**



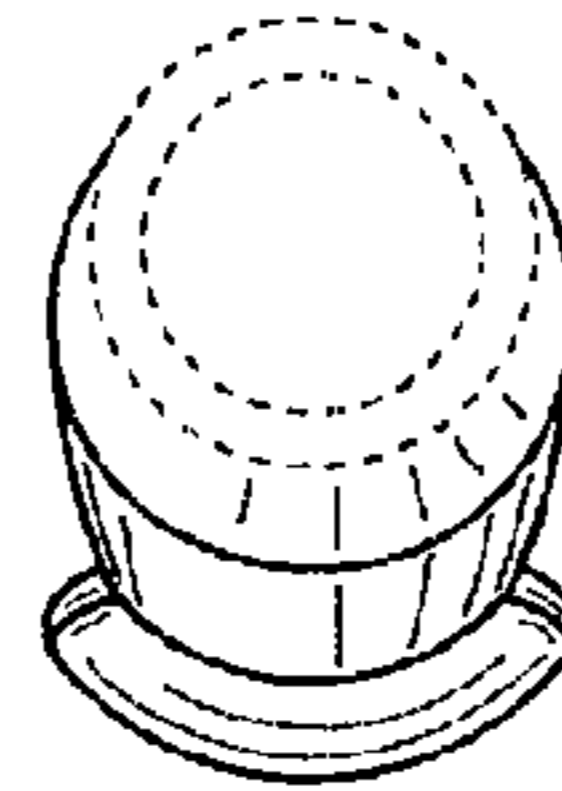
**Fig. 5**



**Fig. 6**



**Fig. 7**



**Fig. 8**