



US00D708735S

(12) **United States Design Patent**
Lang et al.

(10) **Patent No.:** **US D708,735 S**
(45) **Date of Patent:** **** Jul. 8, 2014**

(54) **FRAME FOR BREATHING MASK**

128/206.25, 206.26, 206.27, 206.28,
128/207.11, 207.13, 207.15, 207.17

(71) Applicant: **ResMed R&D Germany GmbH**,
Martinsried (DE)

See application file for complete search history.

(72) Inventors: **Bernd Lang**, Grafelfing (DE); **Achim Biener**, Aufkirchen (DE)

(56) **References Cited**

(73) Assignee: **ResMed R&D Germany GmbH**,
Martinsried (DE)

U.S. PATENT DOCUMENTS

(**) Term: **14 Years**

1,837,591 A * 12/1931 Shindel 128/206.16
3,521,630 A 7/1970 Westberg et al.

(21) Appl. No.: **29/456,114**

(Continued)

(22) Filed: **May 29, 2013**

FOREIGN PATENT DOCUMENTS

Related U.S. Application Data

AT 50770 10/2002
DE 100 45 183 5/2002

(Continued)

(60) Continuation of application No. 29/347,618, filed on Mar. 16, 2010, now Pat. No. Des. 685,462, which is a continuation of application No. 29/311,143, filed on Dec. 31, 2008, now Pat. No. Des. 614,762, which is a continuation of application No. 29/290,110, filed on Oct. 23, 2007, now Pat. No. Des. 585,982, which is a continuation of application No. 29/239,063, filed on Sep. 27, 2005, now Pat. No. Des. 572,816, which is a division of application No. 29/219,617, filed on Dec. 21, 2004, now Pat. No. Des. 515,698, which is a division of application No. 29/190,511, filed on Sep. 23, 2003, now Pat. No. Des. 502,260, which is a division of application No. 29/163,978, filed on Jul. 17, 2002, now Pat. No. Des. 484,237.

OTHER PUBLICATIONS

Lang et al., Parent U.S. Appl. No. 29/347,618, filed Mar. 16, 2010.

(Continued)

Primary Examiner — Rashida Johnson

(74) *Attorney, Agent, or Firm* — Nixon & Vanderhye P.C.

(30) **Foreign Application Priority Data**

Jan. 17, 2002 (DE) 40200458

(51) **LOC (10) Cl.** **29-02**

(52) **U.S. Cl.**
USPC **D24/110.1**

(58) **Field of Classification Search**

USPC D24/110, 110.1, 110.4, 110.5, 110.6,
D24/129, 164; 128/204.18, 205.25, 205.29,
128/206.12, 206.13, 206.14, 206.18,
128/206.19, 206.21, 206.23, 206.24,

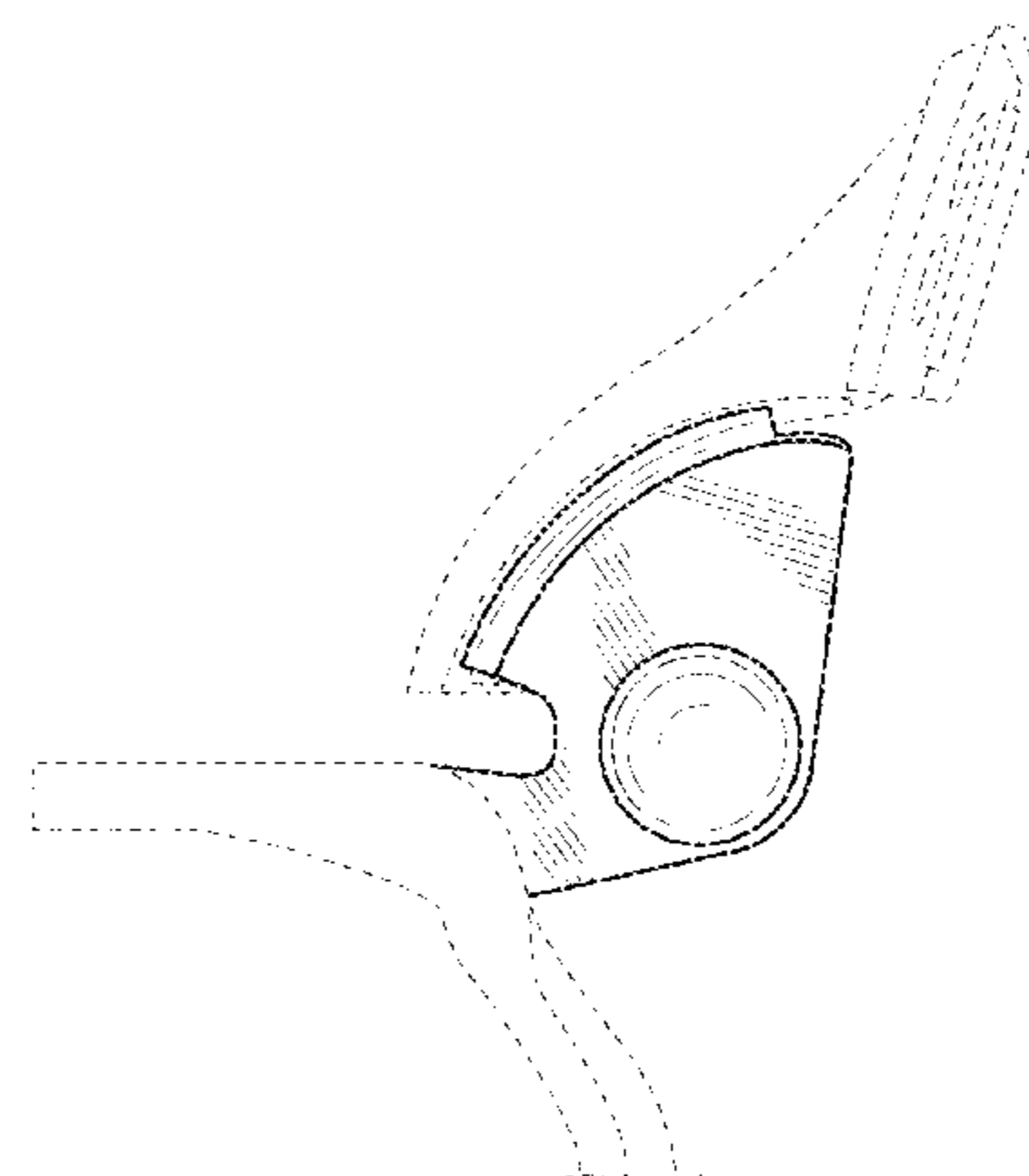
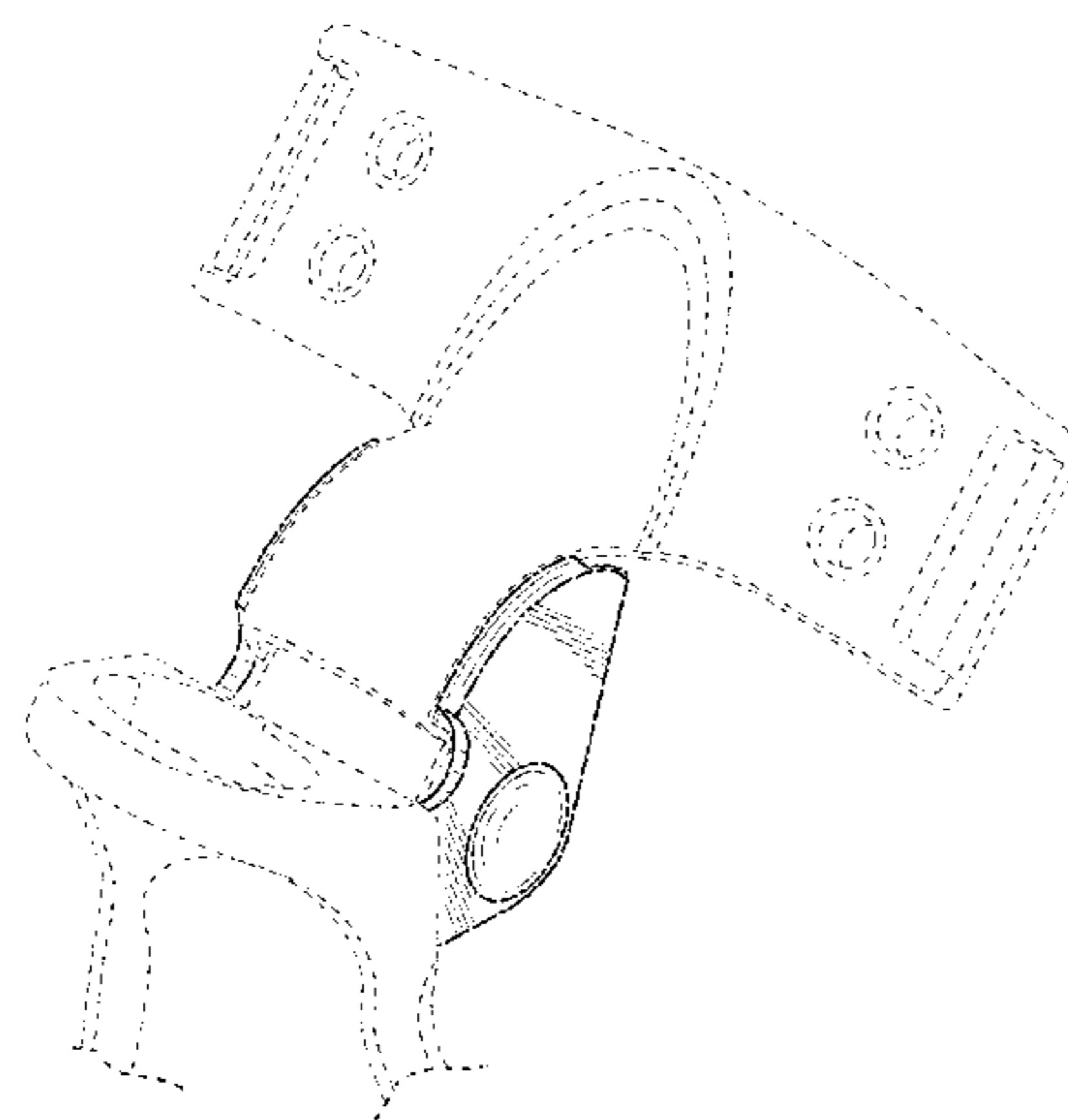
(57) **CLAIM**

The ornamental design for a frame for breathing mask, as shown and described.

DESCRIPTION

FIG. 1 is a front perspective view of a frame for breathing mask showing our new ornamental design;
FIG. 2 is a front view thereof;
FIG. 3 is a rear view thereof;
FIG. 4 is a top view thereof;
FIG. 5 is a bottom view thereof;
FIG. 6 is a right side view thereof; and,
FIG. 7 is a left side view thereof.
The broken lines showing environment or structure of the breathing mask frame are for illustrative purposes only and form no part of the claimed design.

1 Claim, 4 Drawing Sheets



(56)

References Cited

U.S. PATENT DOCUMENTS

D322,318 S 12/1991 Sullivan
 D402,755 S 12/1998 Kwok
 6,044,844 A 4/2000 Kwok et al.
 D428,987 S 8/2000 Kwok
 6,119,693 A 9/2000 Kwok et al.
 D435,650 S 12/2000 Kwok
 D439,326 S 3/2001 Hecker et al.
 D443,355 S 6/2001 Gunaratnam et al.
 D458,365 S 6/2002 Kopacko et al.
 D468,823 S 1/2003 Smart
 6,520,182 B1 2/2003 Gunaratnam
 6,532,961 B1 3/2003 Kwok
 6,561,190 B1 5/2003 Kwok
 6,581,594 B1 6/2003 Drew et al.
 6,581,602 B2 6/2003 Kwok et al.
 D484,237 S * 12/2003 Lang et al. D24/110.1
 6,679,261 B2 1/2004 Lithgow et al.
 D486,227 S 2/2004 Fu et al.
 D493,522 S 7/2004 Fu et al.
 D493,885 S 8/2004 Raje et al.
 6,823,869 B2 11/2004 Raje et al.
 6,832,610 B2 12/2004 Gradon et al.
 D502,260 S 2/2005 Lang et al.
 6,860,269 B2 3/2005 Kwok et al.
 D515,204 S 2/2006 Guney et al.
 D515,698 S 2/2006 Lang et al.
 7,000,614 B2 2/2006 Lang et al.
 D536,091 S 1/2007 Biener et al.
 7,216,647 B2 5/2007 Lang et al.
 D545,960 S 7/2007 Fu et al.
 D567,935 S 4/2008 Fu et al.
 D572,816 S * 7/2008 Lang et al. D24/110.1
 D582,546 S 12/2008 Fijura et al.
 D585,982 S 2/2009 Lang et al.
 D588,689 S 3/2009 Guney et al.
 D590,496 S 4/2009 Dantanarayana et al.
 D594,111 S 6/2009 Reid et al.
 D597,201 S 7/2009 Brambilla et al.
 D597,661 S 8/2009 Reid et al.
 D607,994 S 1/2010 Fu et al.

7,640,933 B1 1/2010 Ho
 D613,852 S 4/2010 Dantanarayana et al.
 D614,761 S 4/2010 Brambilla et al.
 D614,762 S 4/2010 Lang et al.
 D614,763 S 4/2010 Maurer et al.
 D617,892 S 6/2010 Brambilla et al.
 D619,701 S 7/2010 Edwards et al.
 D624,642 S 9/2010 Collazo et al.
 D639,419 S 6/2011 Eves et al.
 2003/0062048 A1 4/2003 Gradon et al.
 2003/0075182 A1 4/2003 Heidmann et al.
 2003/0089373 A1 5/2003 Gradon et al.
 2003/0196657 A1 10/2003 Ging et al.
 2004/0045550 A1 3/2004 Lang et al.
 2004/0094157 A1 5/2004 Dantanarayana et al.
 2004/0112387 A1 * 6/2004 Lang et al. 128/206.24
 2004/0118406 A1 6/2004 Lithgow et al.
 2004/0211428 A1 10/2004 Jones et al.
 2004/0216746 A1 11/2004 Jones et al.
 2004/0255949 A1 12/2004 Lang et al.
 2005/0011521 A1 1/2005 Sprinkle et al.
 2005/0011522 A1 1/2005 Ho et al.
 2005/0211252 A1 9/2005 Lang et al.
 2007/0157934 A1 7/2007 Lang et al.
 2009/0044806 A1 2/2009 Burz et al.
 2009/0277453 A1 11/2009 Burz et al.
 2010/0065059 A1 3/2010 Ho
 2011/0056498 A1 * 3/2011 Lang et al. 128/206.24
 2013/0284180 A1 * 10/2013 Lang et al. 128/206.21

FOREIGN PATENT DOCUMENTS

FR 2854575 A1 * 11/2004 A62B 18/08
 WO WO 99/58181 11/1999
 WO WO 01/97892 12/2001
 WO WO 2004022145 A1 * 3/2004 A61M 16/06
 WO WO 2005039680 A1 * 5/2005 A61M 16/06

OTHER PUBLICATIONS

Instruction Manual for Papillon Mask, © MAP Medizin-Technologie GmbH, Mar. 2002, 4 pages.

* cited by examiner

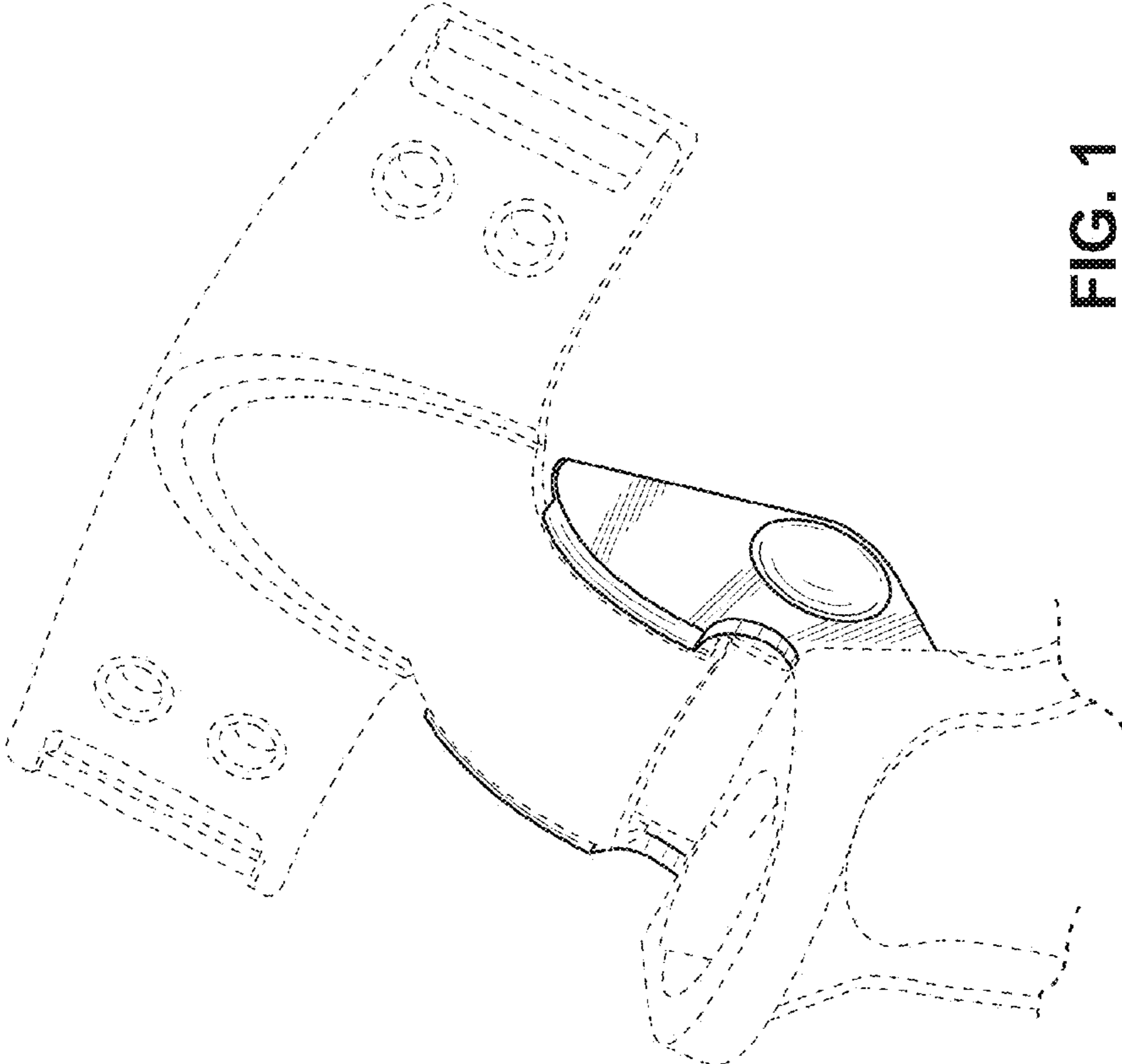


FIG. 1

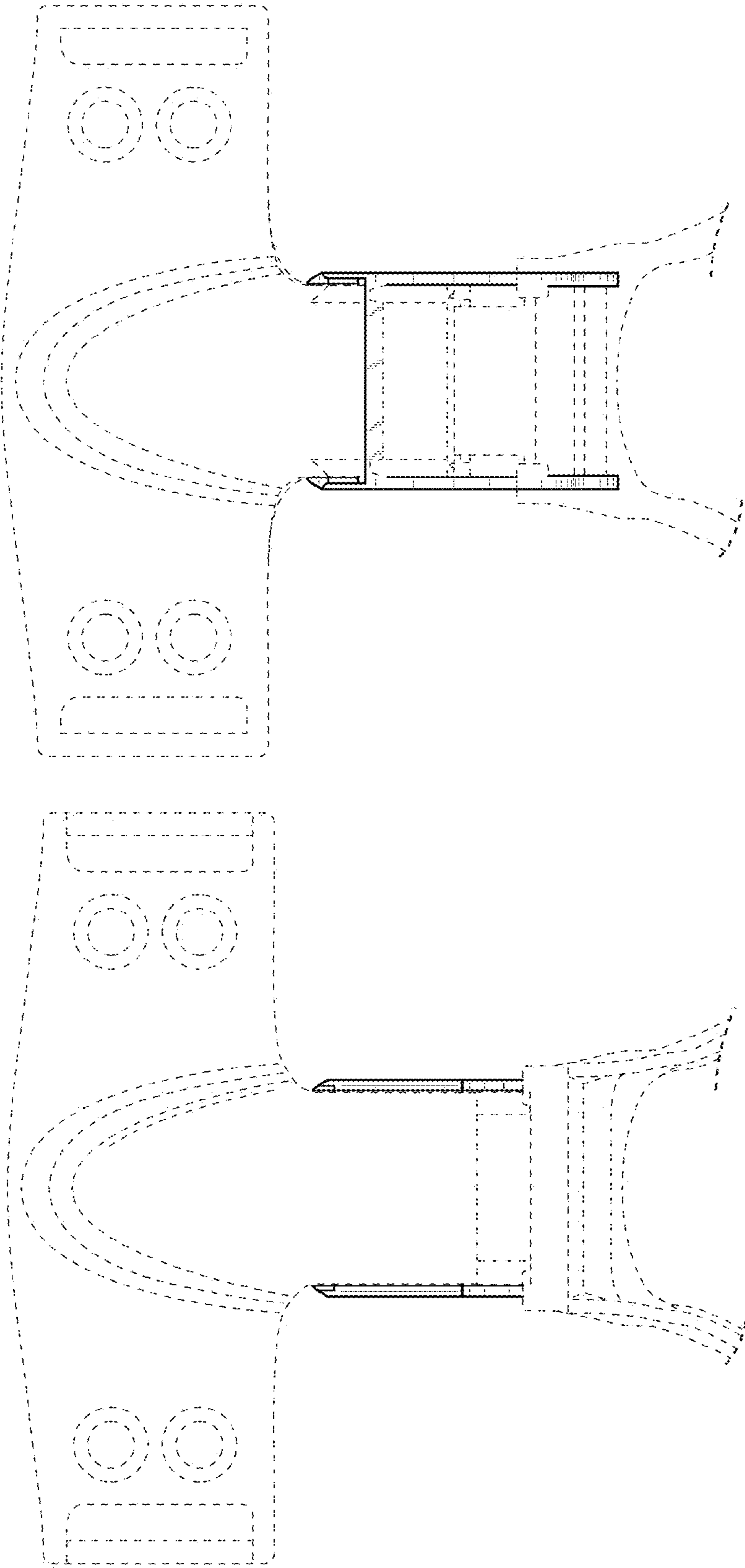


FIG. 3

FIG. 2

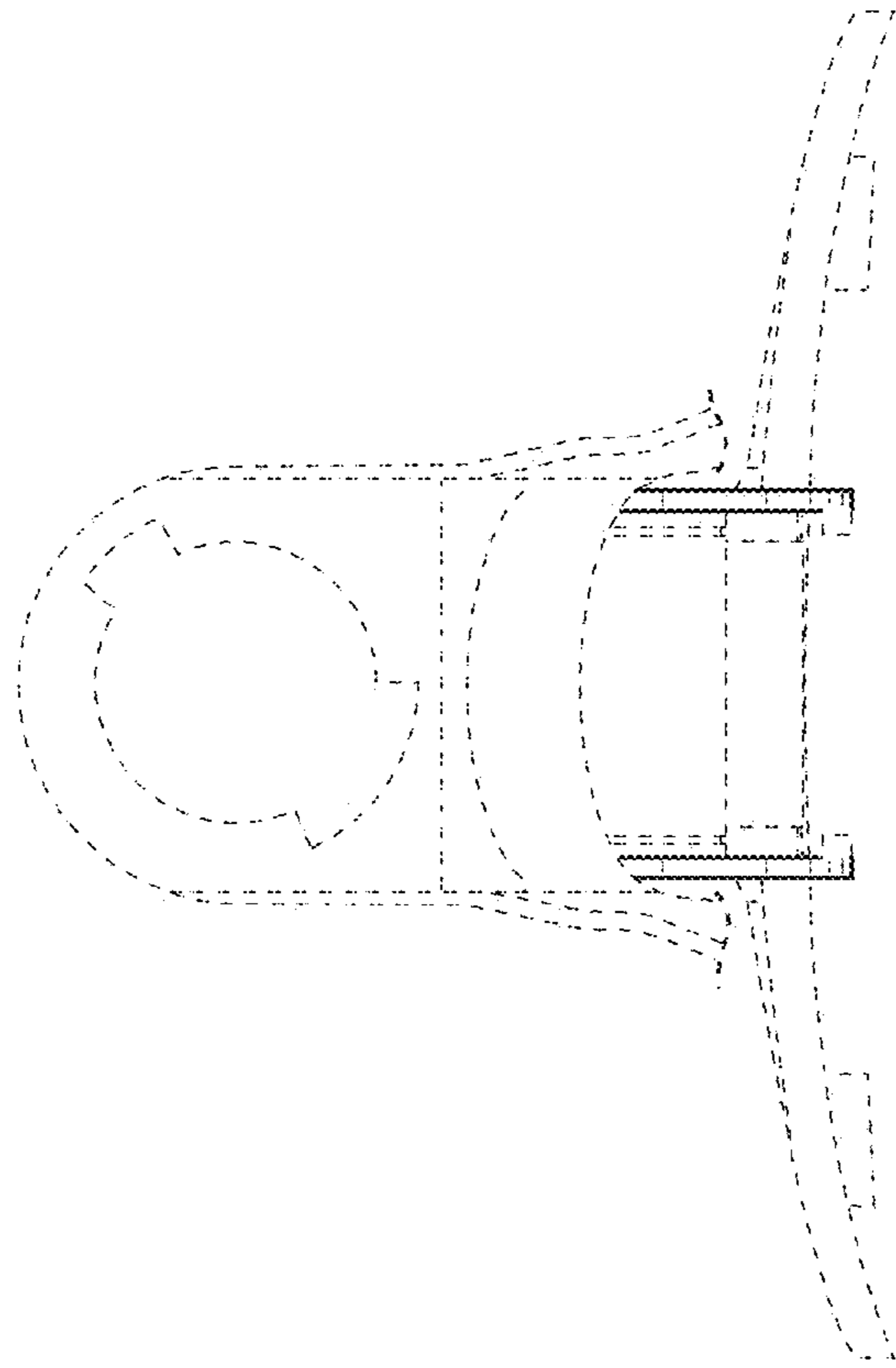


FIG. 4

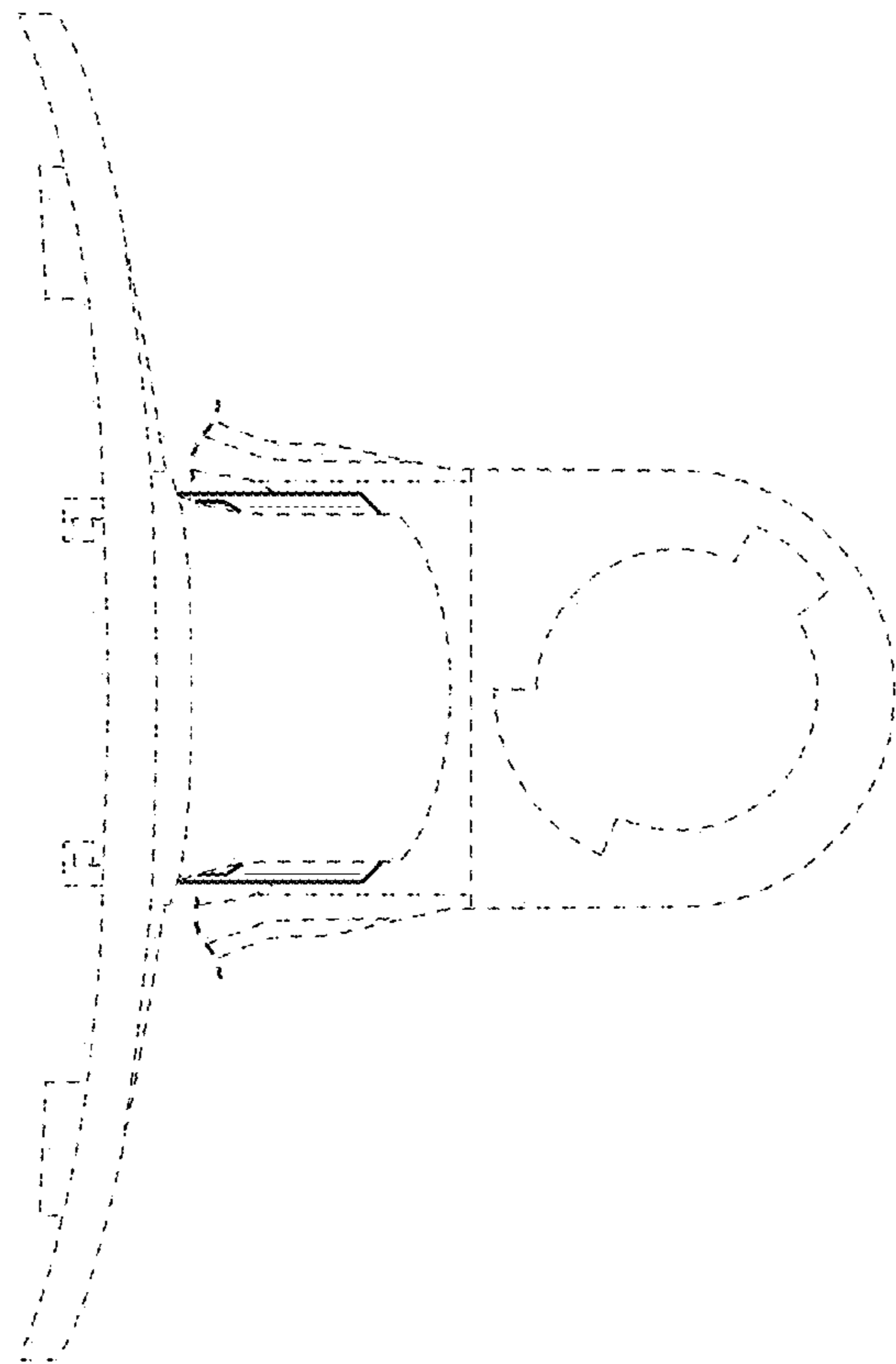


FIG. 5

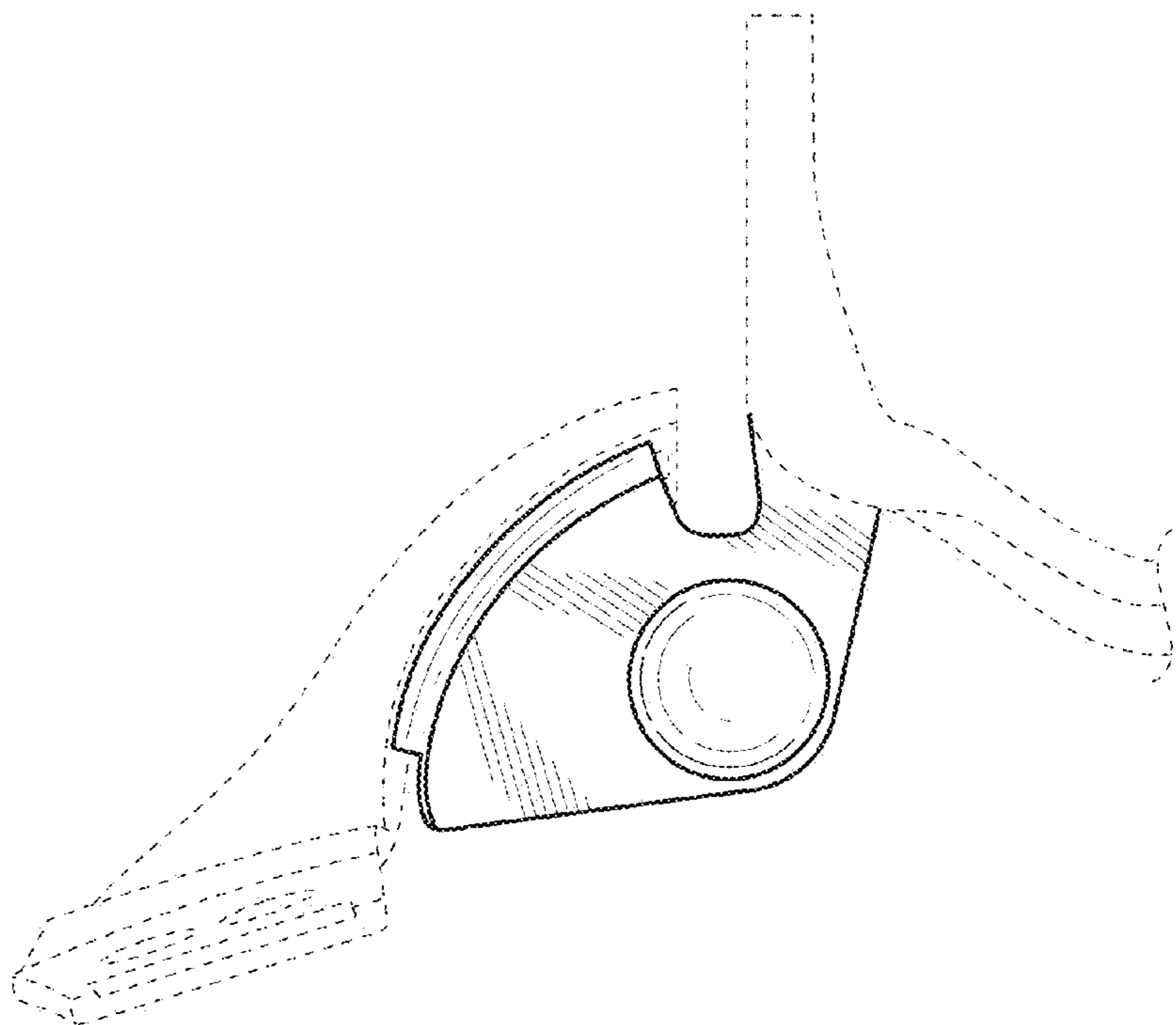


FIG. 7

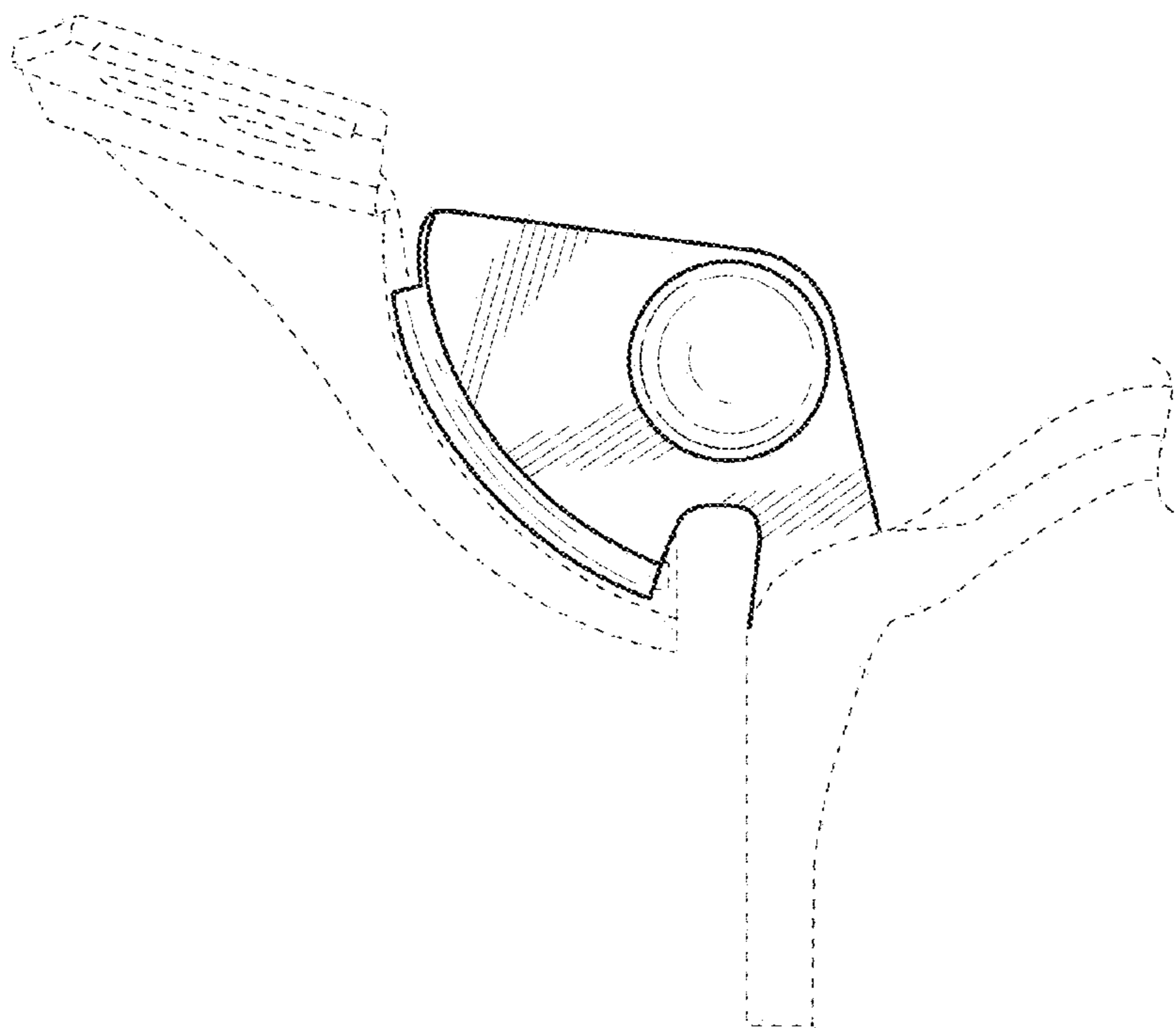


FIG. 6